



US00D353178S

United States Patent [19]

[11] Patent Number: **Des. 353,178**

Koleoglou

[45] Date of Patent: **** Dec. 6, 1994**

[54] **GOLF PUTTER ATTACHMENT**

[76] Inventor: **Peter Koleoglou, P.O. Box 477,
Montauk, N.Y. 11954**

[**] Term: **14 Years**

[21] Appl. No.: **9,584**

[22] Filed: **Jun. 18, 1993**

[52] U.S. Cl. **D21/234**

[58] Field of Search **273/187.4, 194 A, 194 R;
D21/234, 221**

[56] **References Cited**

U.S. PATENT DOCUMENTS

1,817,896	8/1931	Henderson	273/194 A
3,489,415	1/1970	Smith	273/194 A
5,135,228	8/1992	Hawkins, Sr. et al.	273/194 A X
5,169,150	12/1992	Tindale	273/187.4
5,230,512	7/1993	Tattershall	273/187.1 X

Primary Examiner—Melvin B. Feifer

Assistant Examiner—Cheri Cohen

Attorney, Agent, or Firm—Goodman & Teitelbaum

[57] **CLAIM**

The ornamental design for a golf putter attachment, as shown and described.

DESCRIPTION

FIG. 1 is a perspective view of a golf putter attachment, showing my new design;

FIG. 2 is a front elevational view thereof;

FIG. 3 is a top plan view thereof;

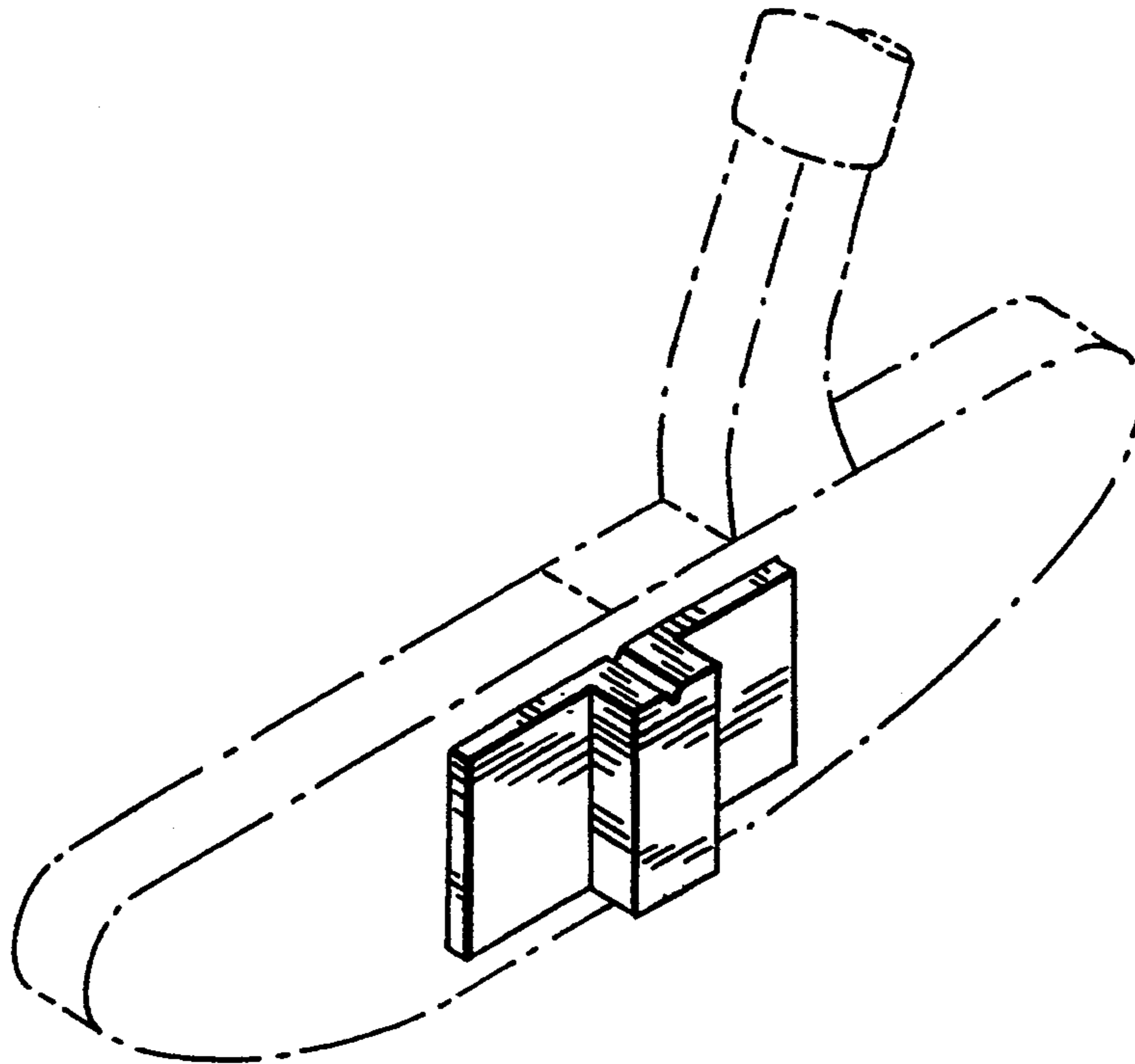
FIG. 4 is a left side elevational view thereof;

FIG. 5 is right side elevational view thereof;

FIG. 6 is a bottom plan view thereof; and,

FIG. 7 is rear elevational view thereof.

The broken line representation of a fragmented golf putter in FIG. 1 is for illustrative purposes only.



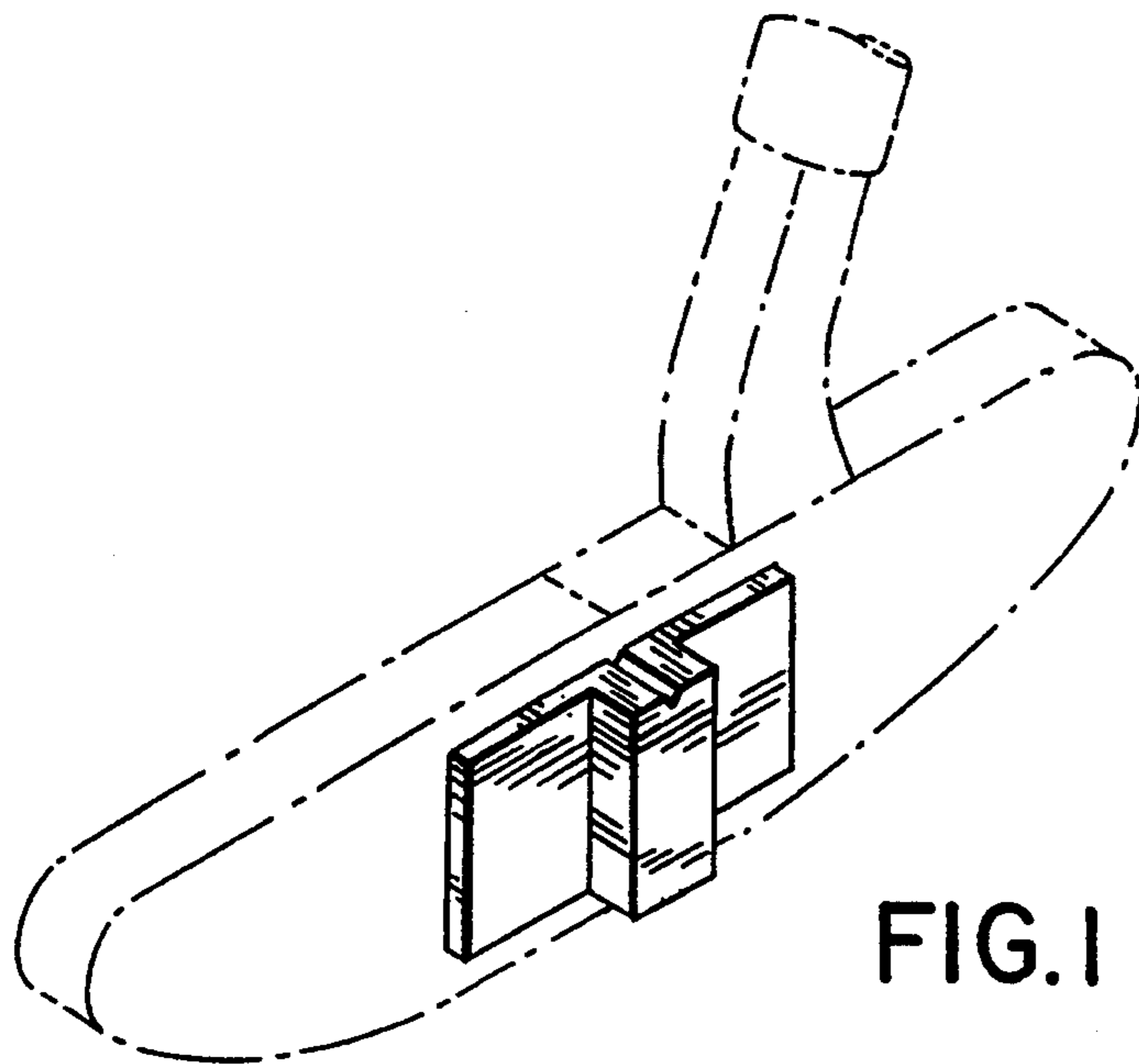


FIG. 1



FIG. 3



FIG. 4

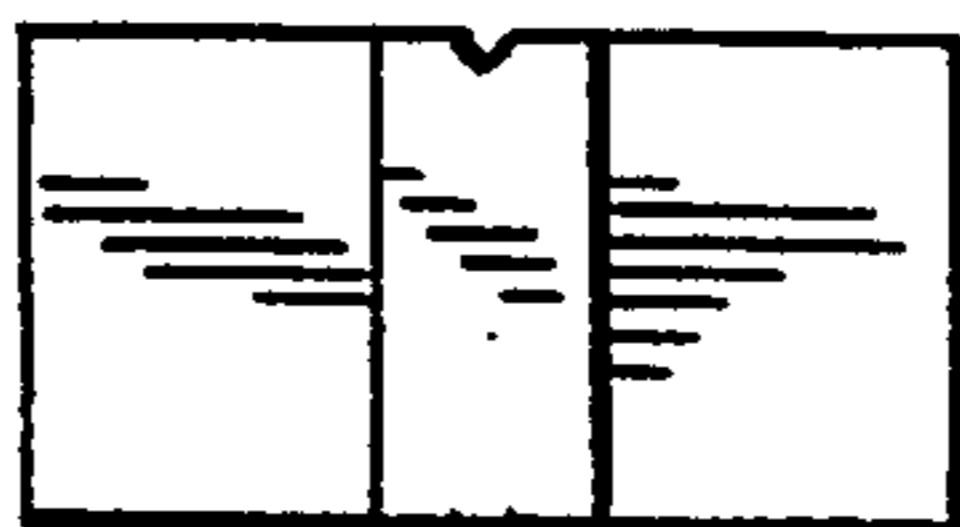


FIG. 2



FIG. 5



FIG. 6

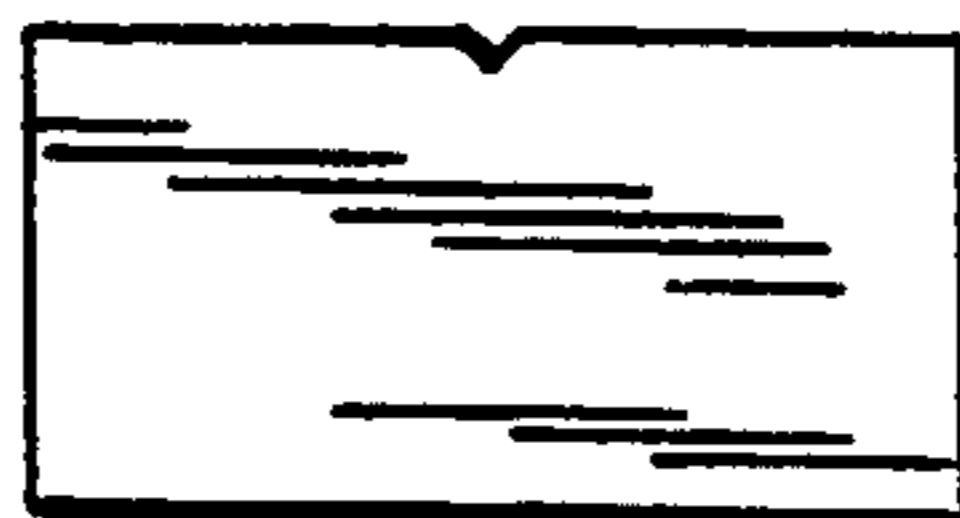


FIG. 7