



US00D353159S

# United States Patent [19]

[11] Patent Number: **Des. 353,159**

**Kirchner et al.**

[45] Date of Patent: **\*\* Dec. 6, 1994**

[54] SURFACE-MOUNTABLE PAPER TRAY

[76] Inventors: **Balthasar Kirchner**, Bahnhofstrasse 8, A-4070 Eferding; **Siegfried Schleicher**, Öthing 9, A-4611 Buchkirchen, both of Austria

[\*\*] Term: **14 Years**

[21] Appl. No.: **939,525**

[22] Filed: **Sep. 2, 1992**

[30] Foreign Application Priority Data

Mar. 9, 1992 [AT] Austria ..... MU901/92

[52] U.S. Cl. .... **D19/92; D6/511; D19/86**

[58] Field of Search ..... **D6/491, 509-511, D6/512, 475, 462, 466, 574, 429; 248/281.1, 235, 917, 919, 920; 297/145, 161, 194; 108/47, 49, 138, 152; 211/126; D19/65, 75, 86, 88, 92, 91**

[56] **References Cited**

### U.S. PATENT DOCUMENTS

D. 205,848 9/1966 Poole ..... D6/512

D. 260,907	9/1981	Giulie et al. ....	D19/92
D. 275,431	9/1984	Usab .....	D6/429
D. 293,531	1/1988	Wright et al. ....	D6/511
D. 306,383	3/1990	Sträter .....	D6/511
D. 342,173	12/1993	Kirchner et al. ....	D6/511
1,540,677	6/1925	Balmer .....	248/235
4,783,036	11/1988	Vossoughi .....	248/281.1

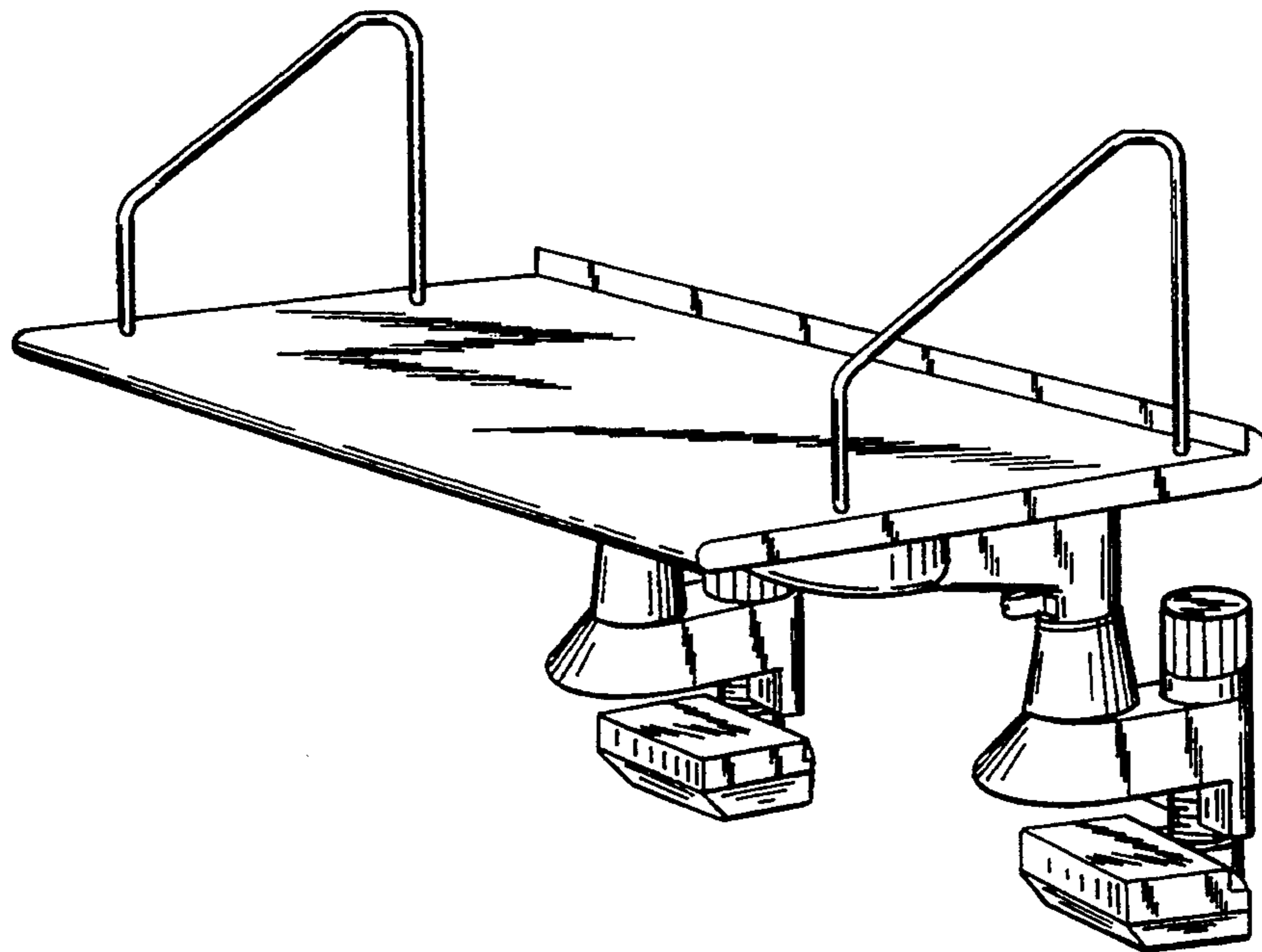
*Primary Examiner*—Martie Thompson  
*Attorney, Agent, or Firm*—Herbert Dubno; Ronald Lianides

### [57] CLAIM

The ornamental design for a surface-mountable paper tray, as shown.

### DESCRIPTION

FIG. 1 is a left side perspective view of a surface-mountable paper tray showing our new design; FIG. 2 is a rear perspective view thereof; FIG. 3 is a front perspective view thereof; FIG. 4 is a right side perspective view thereof; FIG. 5 is a top perspective view thereof; FIG. 6 is an upper right-side, front perspective view thereof; and, FIG. 7 is a bottom perspective view thereof.



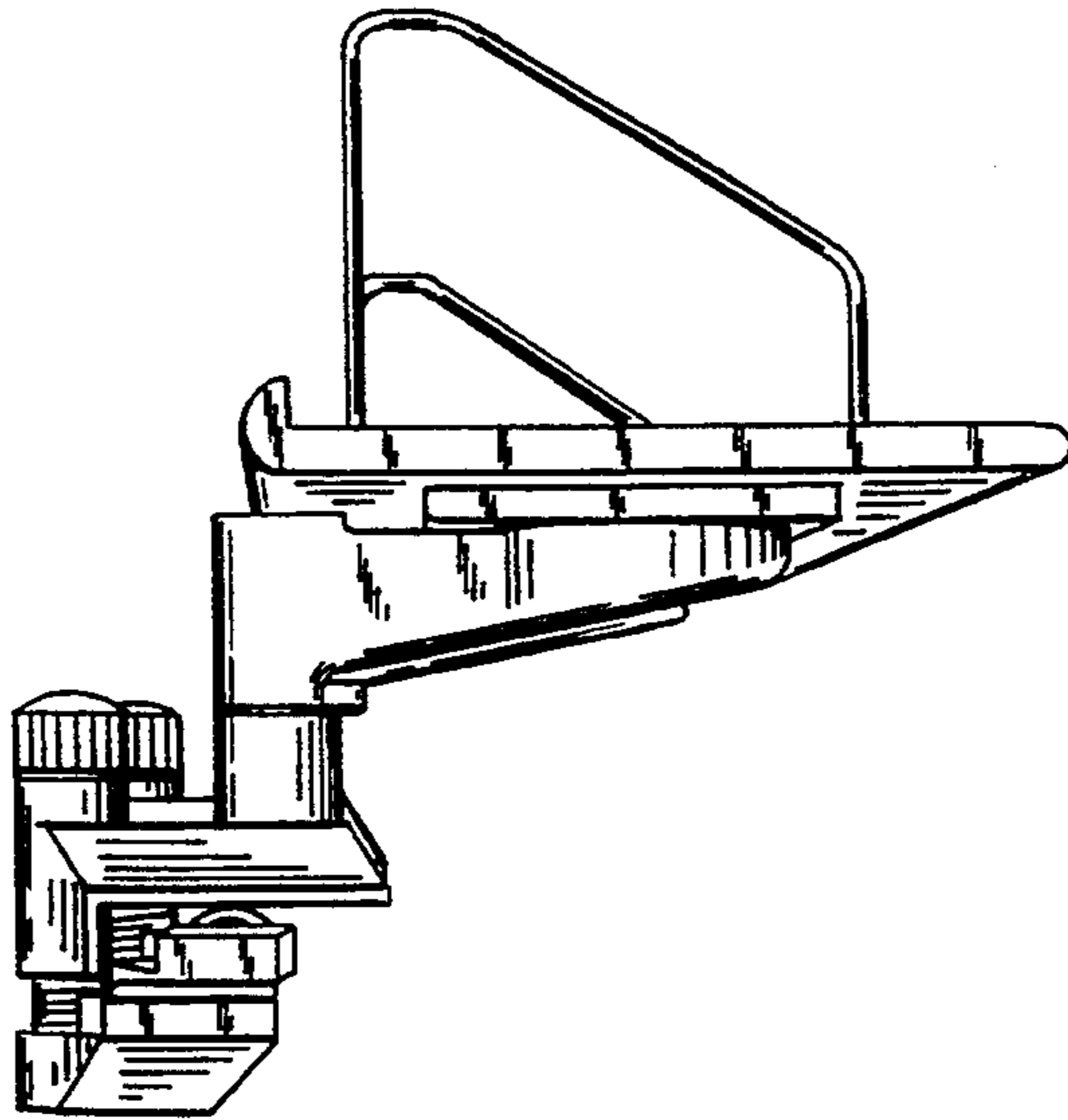


FIG. 1

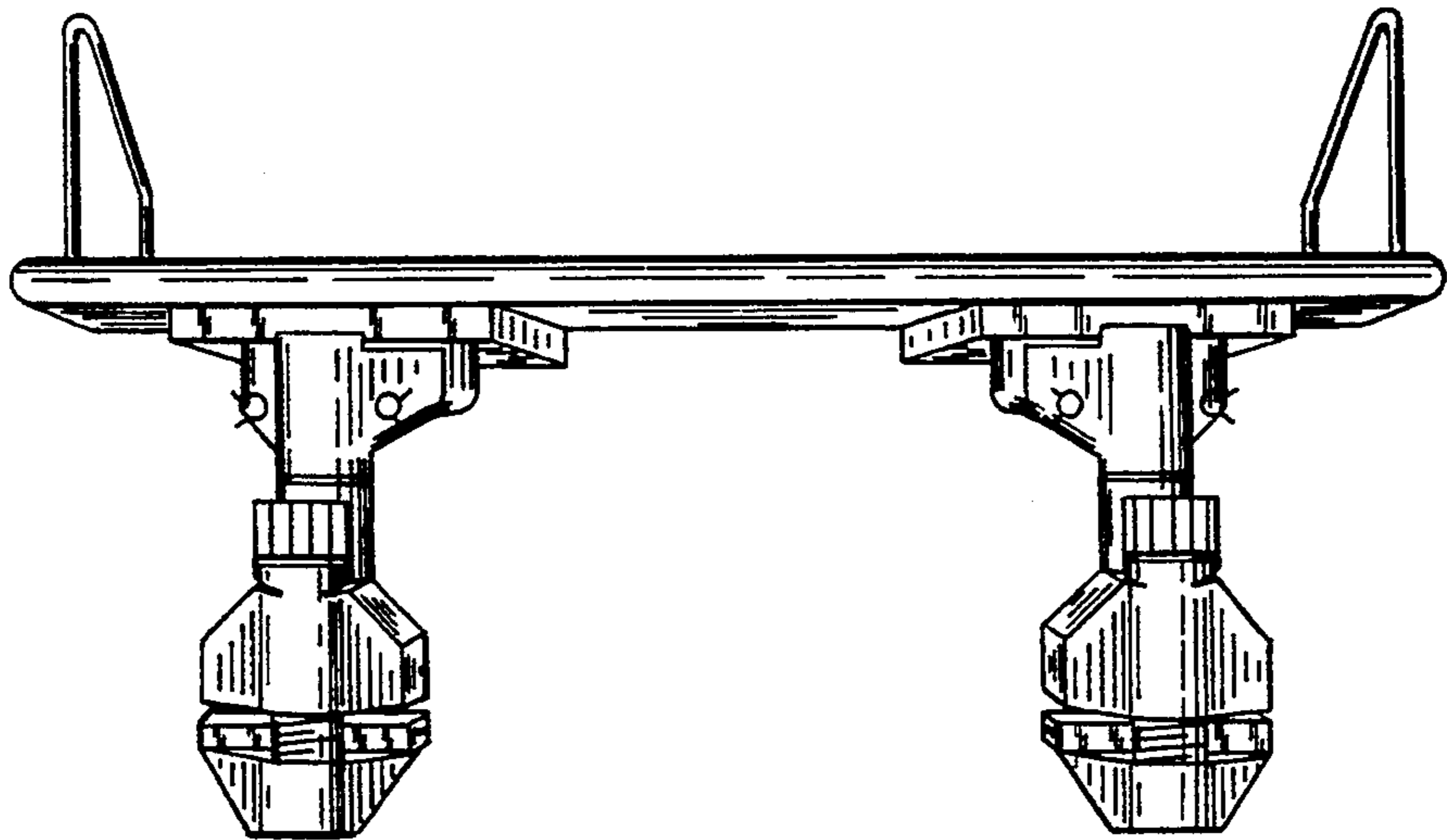


FIG.2

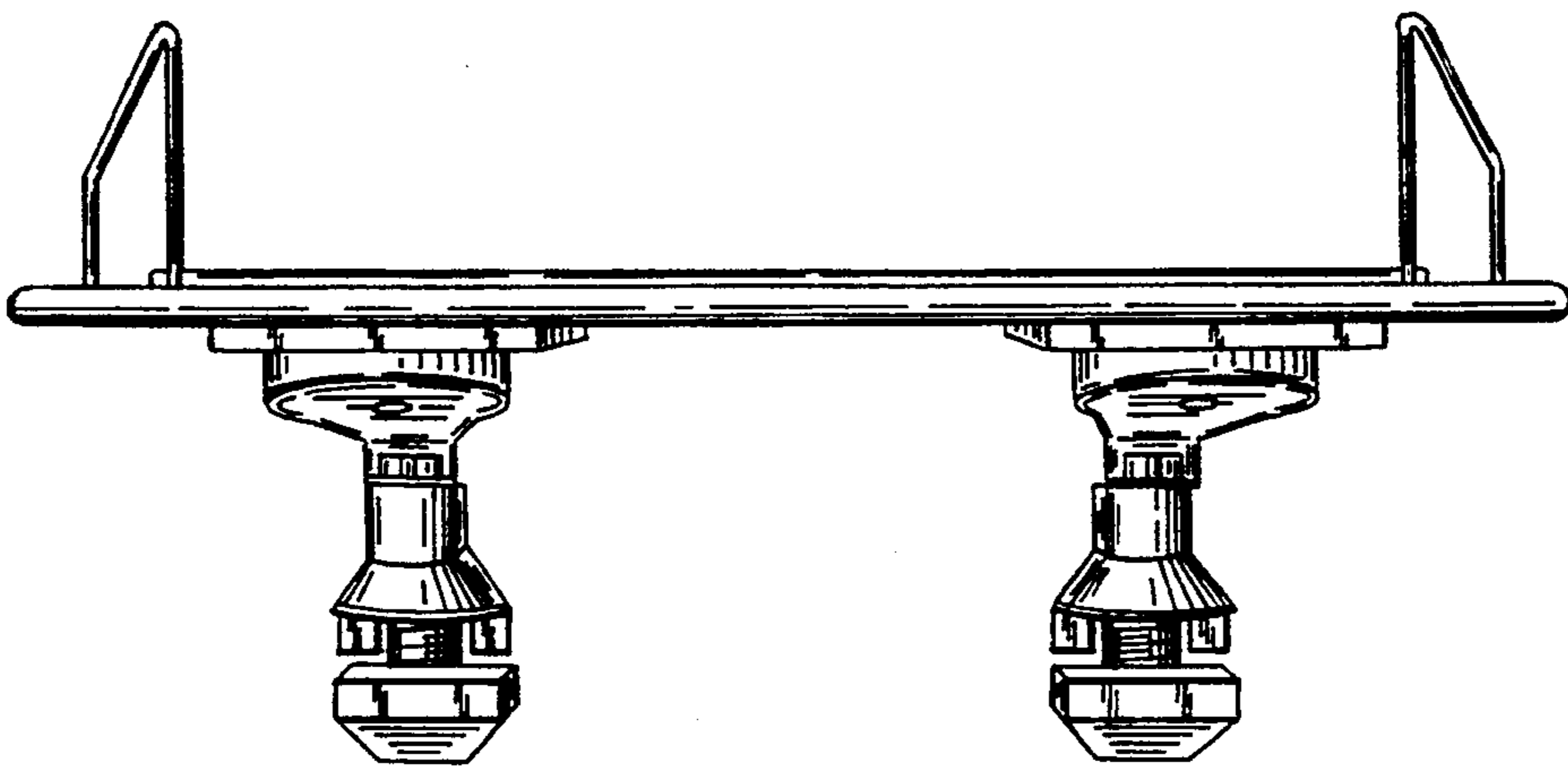


FIG. 3

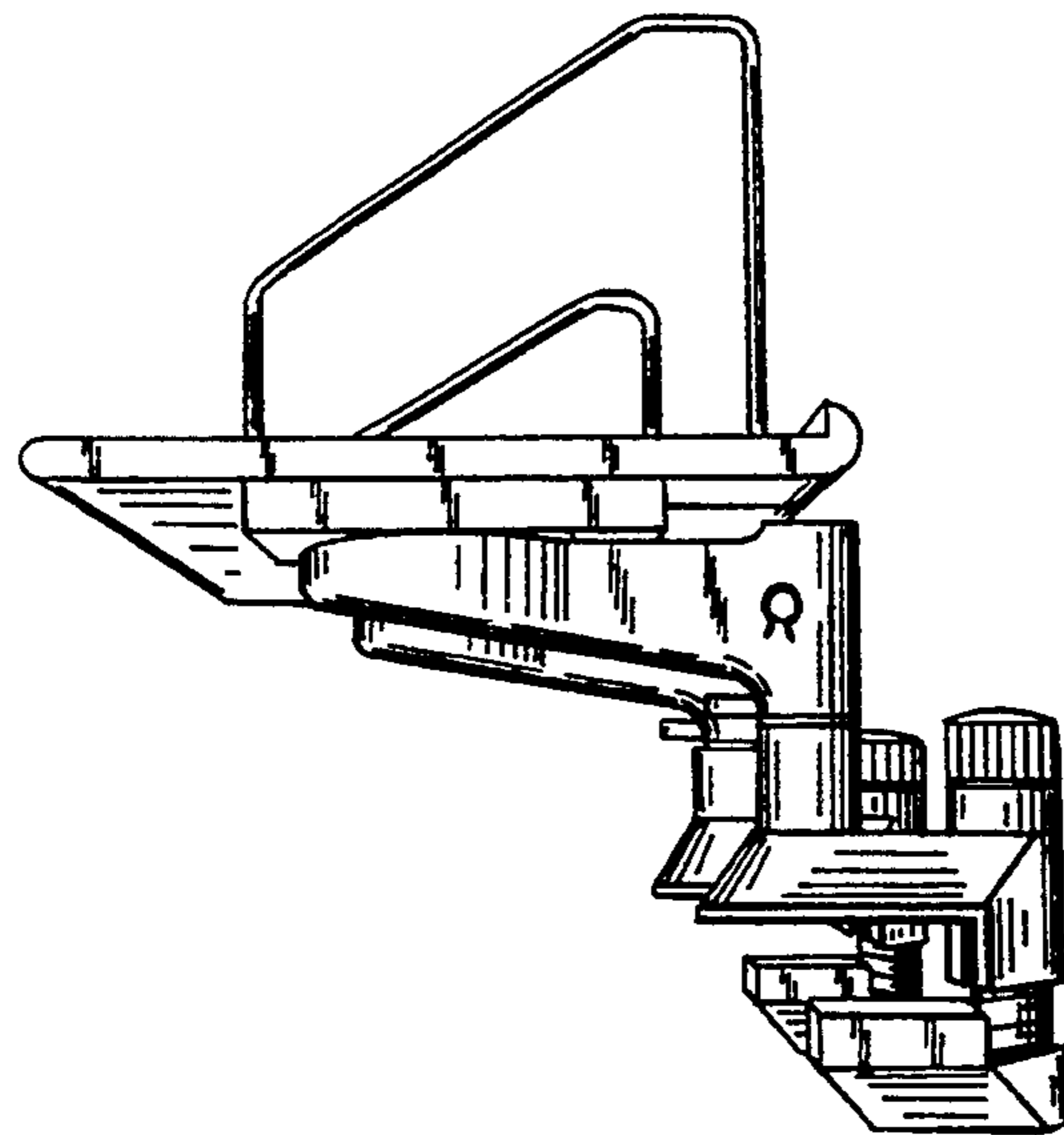


FIG. 4

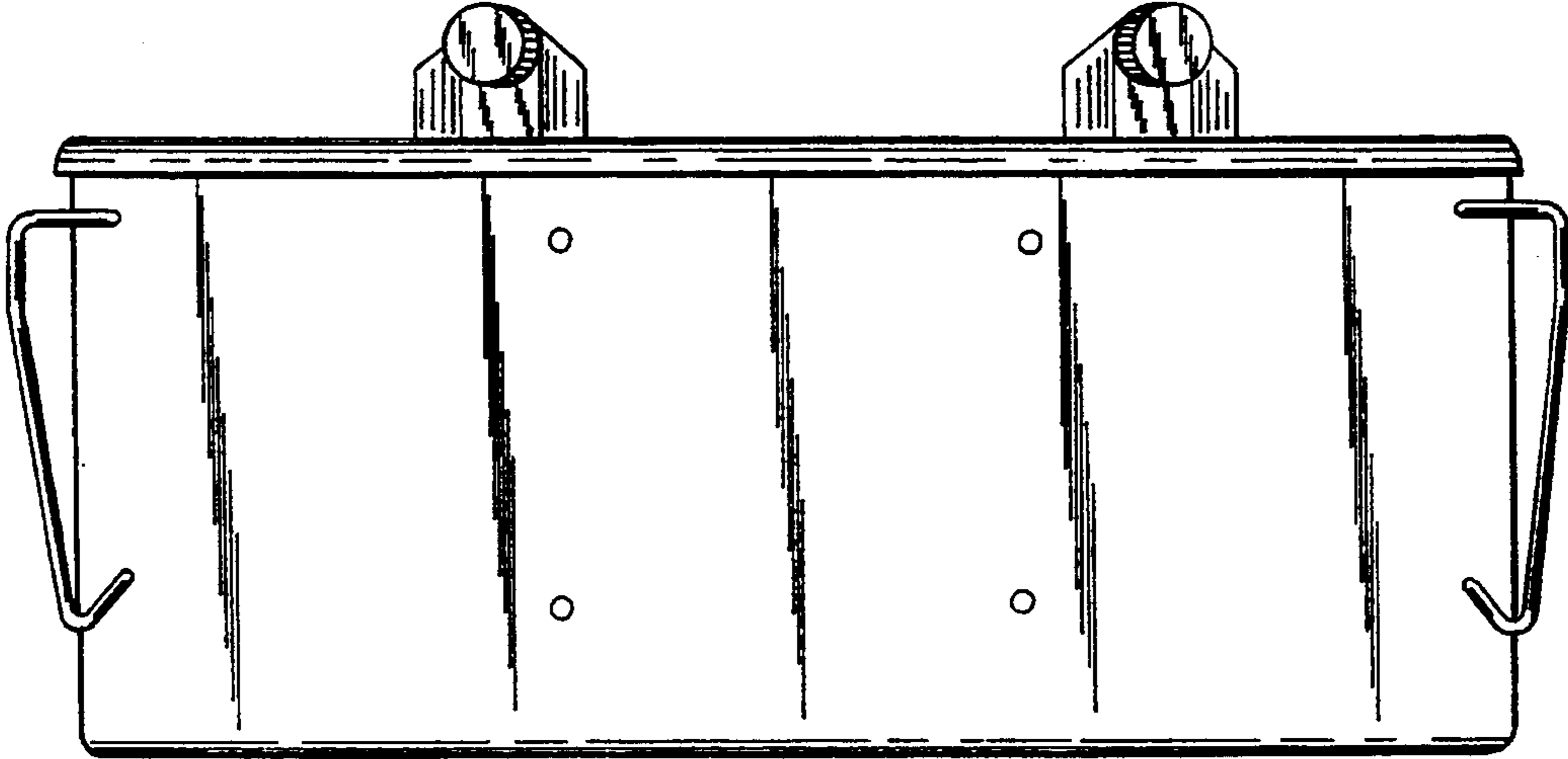


FIG. 5

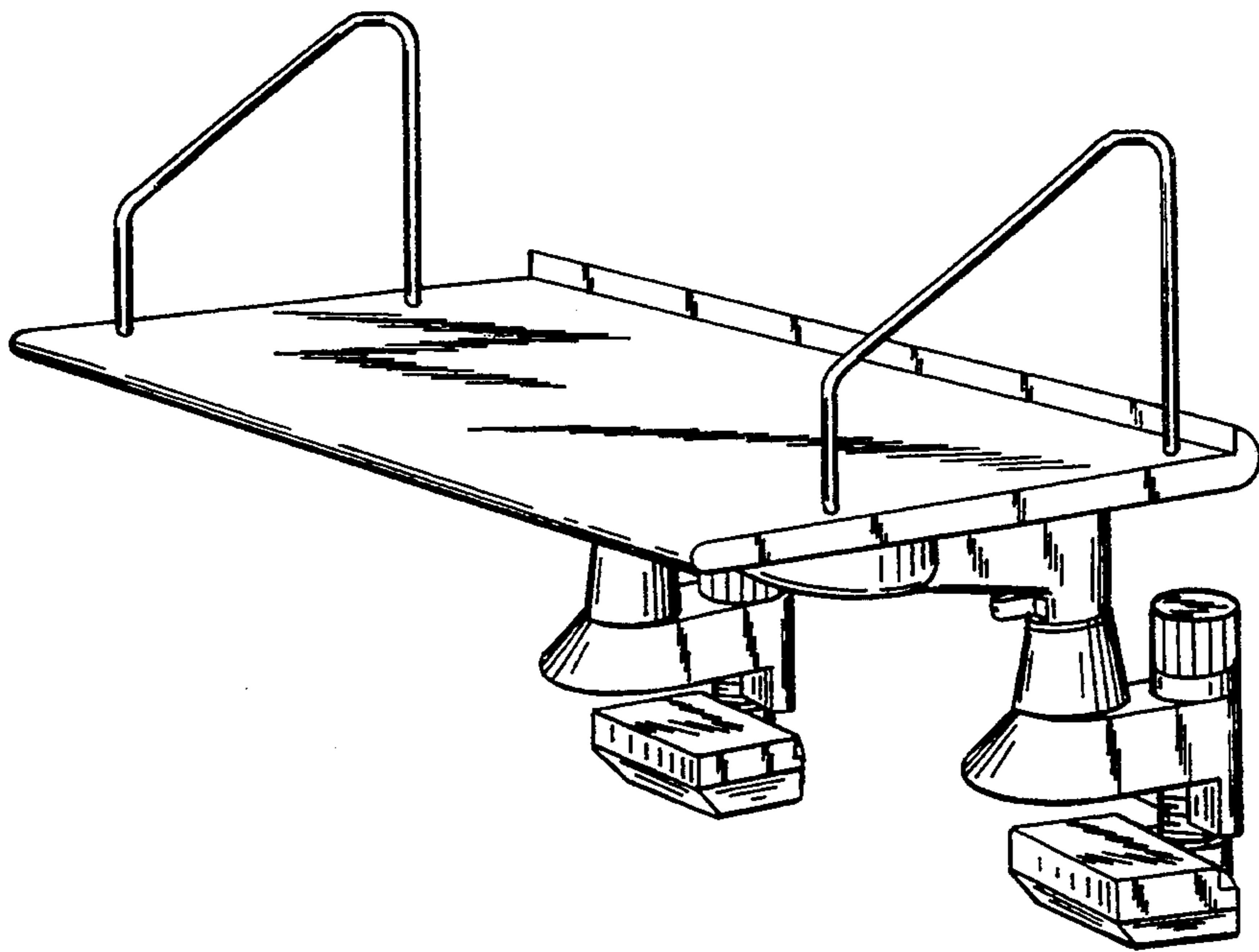


FIG. 6

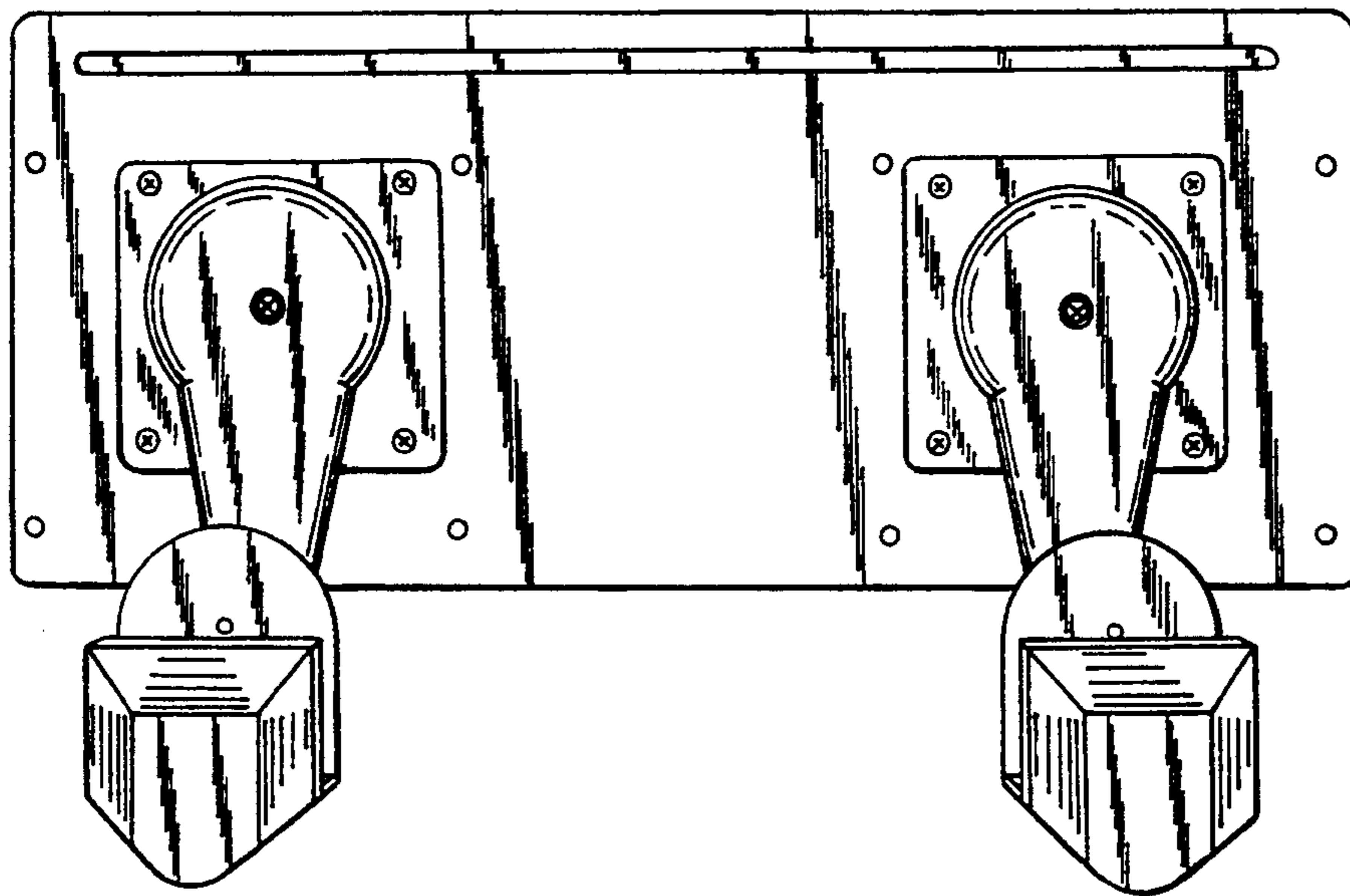


FIG.7