



US00D353158S

United States Patent [19]

[11] Patent Number: **Des. 353,158**

Evenson

[45] Date of Patent: **** Dec. 6, 1994**

[54] **DIVIDER TRAY**

[75] Inventor: **Mel Evenson, Rancho Palos Verdes, Calif.**

[73] Assignee: **Rubbermaid Office Products Inc., Maryville, Tenn.**

[**] Term: **14 Years**

[21] Appl. No.: **12,101**

[22] Filed: **Aug. 23, 1993**

[52] U.S. Cl. **D19/90; D19/86**

[58] Field of Search 211/2, 10, 11, 43, 55, 211/126, 184, 194; D19/65, 75, 78, 86, 90, 91, 92, 95, 99, 100

D. 340,079	10/1993	Aaldenberg	D19/90
238,117	2/1881	Hillman	.	
1,415,110	5/1922	Pearl	211/11
1,603,776	10/1926	Joly	.	
1,918,765	7/1933	Lombardini	.	
1,939,108	12/1933	Cutler	129/43
1,966,555	7/1934	Febure	206/13
2,247,637	7/1941	Lombardini	129/16
2,305,299	12/1942	Lombardini	129/16
2,902,166	9/1959	Bahr	211/11
3,144,942	8/1964	Peebles	211/11
3,737,046	6/1973	Jeter	211/10
3,869,045	3/1975	Lear	211/11
4,074,810	2/1978	Juergens et al.	211/11
4,162,014	7/1979	Bpbrocl	211/50
4,209,093	6/1980	Soderland	206/425
4,944,412	7/1990	Daigre	211/11
4,974,733	12/1990	Evans	211/11
5,054,623	10/1991	Evenson	211/184 X

[56] **References Cited**

U.S. PATENT DOCUMENTS

D. 94,204	1/1935	Guild	D19/90
D. 180,863	8/1957	Collins	D19/90
D. 201,411	6/1965	Tucker	D19/90
D. 202,315	9/1995	Tucker	D19/90
D. 215,897	11/1969	Aydelotte	D19/90
D. 216,603	2/1970	Meyer	D19/90
D. 249,353	9/1978	Juergens et al.	D19/90
D. 250,960	1/1979	Bitner et al.	D19/90
D. 251,254	3/1979	Tiedemann	D19/90
D. 257,752	1/1981	Rabig	D6/191
D. 258,511	3/1981	Ashton	D19/90
D. 268,119	3/1983	Evenson	D19/77
D. 277,396	1/1985	Mahler	D19/90
D. 277,969	3/1985	Bustos	D19/75
D. 284,482	7/1986	Sun	D19/90
D. 288,214	2/1987	Evenson	D19/99
D. 290,141	6/1987	Rabig	D19/90
D. 295,638	5/1988	Evenson	D19/90
D. 299,361	1/1989	Lothe	D19/90
D. 304,462	11/1989	Evans	D19/90
D. 306,040	2/1990	Evenson	D19/90
D. 306,041	2/1990	Evenson	D19/90
D. 307,159	4/1990	Foran et al.	D19/90
D. 308,077	5/1990	Gecchelin	D19/75
D. 309,066	7/1990	Foran et al.	D6/466
D. 313,430	1/1991	Evenson	D19/90
D. 323,190	1/1992	Evenson	D19/90
D. 328,761	8/1992	Evenson	D19/90
D. 330,047	10/1992	Evenson	D19/78
D. 334,413	3/1993	Feer	D19/99
D. 339,825	9/1993	Hwang	D19/90
D. 340,068	10/1993	Chang	D19/90

OTHER PUBLICATIONS

Fuller Contract Accessories, Corp., (product update flier), see circled file.

Sell Sheet, Vertical Sorter; Ablegreen Company Ltd., P.O. Box 22589, Taipei, Taiwan. It is believed that the product depicted herein has been on sale for more than one (1) year prior to the application date of this instant application.

Sell Sheet, Vertical Sorter; Eldon Office Products, 1130 East 230th St., Carson, Calif. 90745. Publication Date 1980.

P. 48, Sorter; Eldon Office Products, 1130 East 230th St., Carson, Calif. 90745. Publication Date 1992.

Primary Examiner—Martie Thompson

Attorney, Agent, or Firm—Richard B. O'Planick; Lisa B. Riedesel

[57] **CLAIM**

The ornamental design for a divider tray, as shown and described.

DESCRIPTION

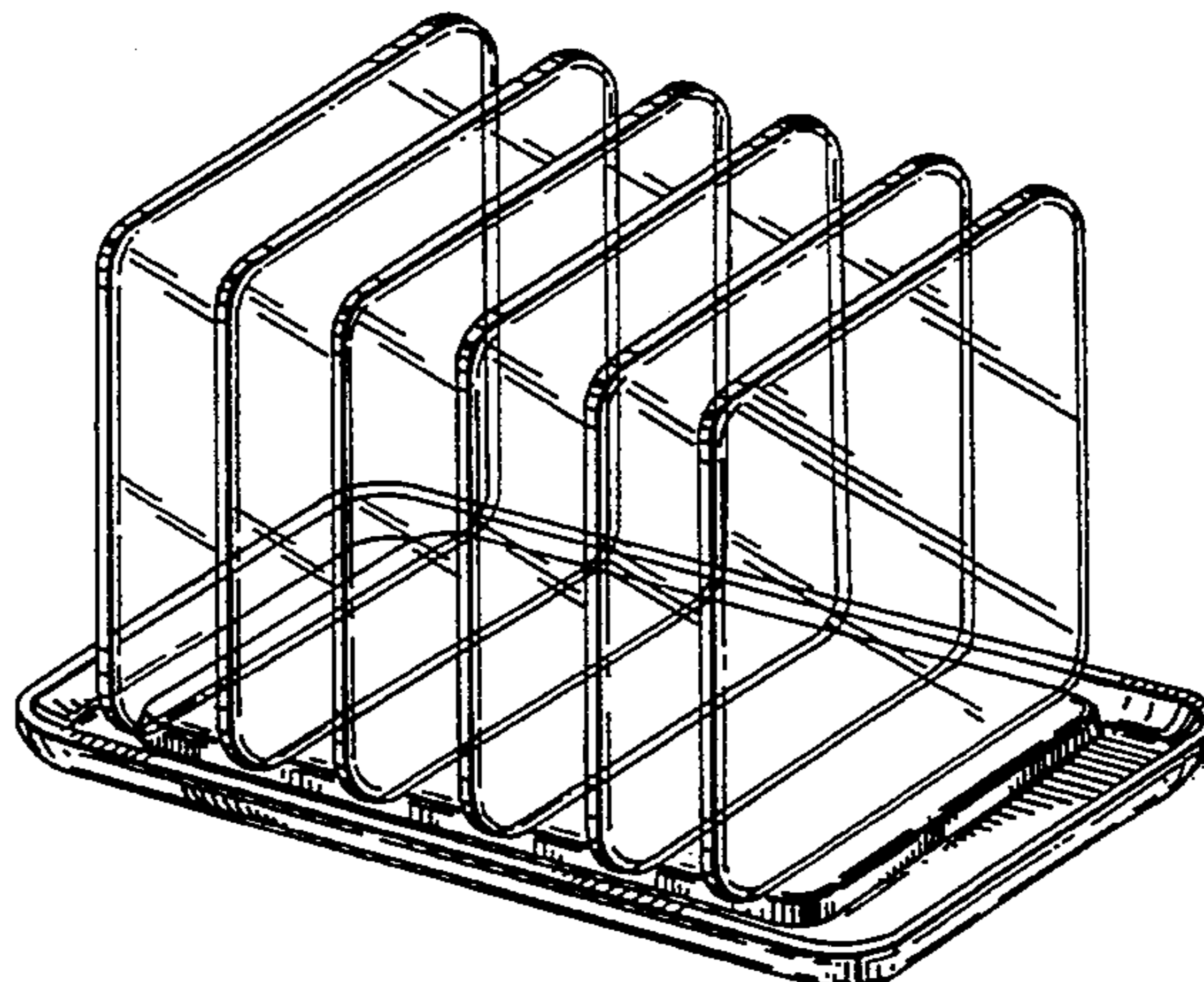
FIG. 1 is a top left front perspective view of a divider tray showing my new design;

FIG. 2 is a side elevational view thereof; the opposite side being a mirror image;

FIG. 3 is a top plan view thereof;

FIG. 4 is a front elevational view thereof; the rear elevational view being a mirror image; and,

FIG. 5 is a bottom plan view thereof.



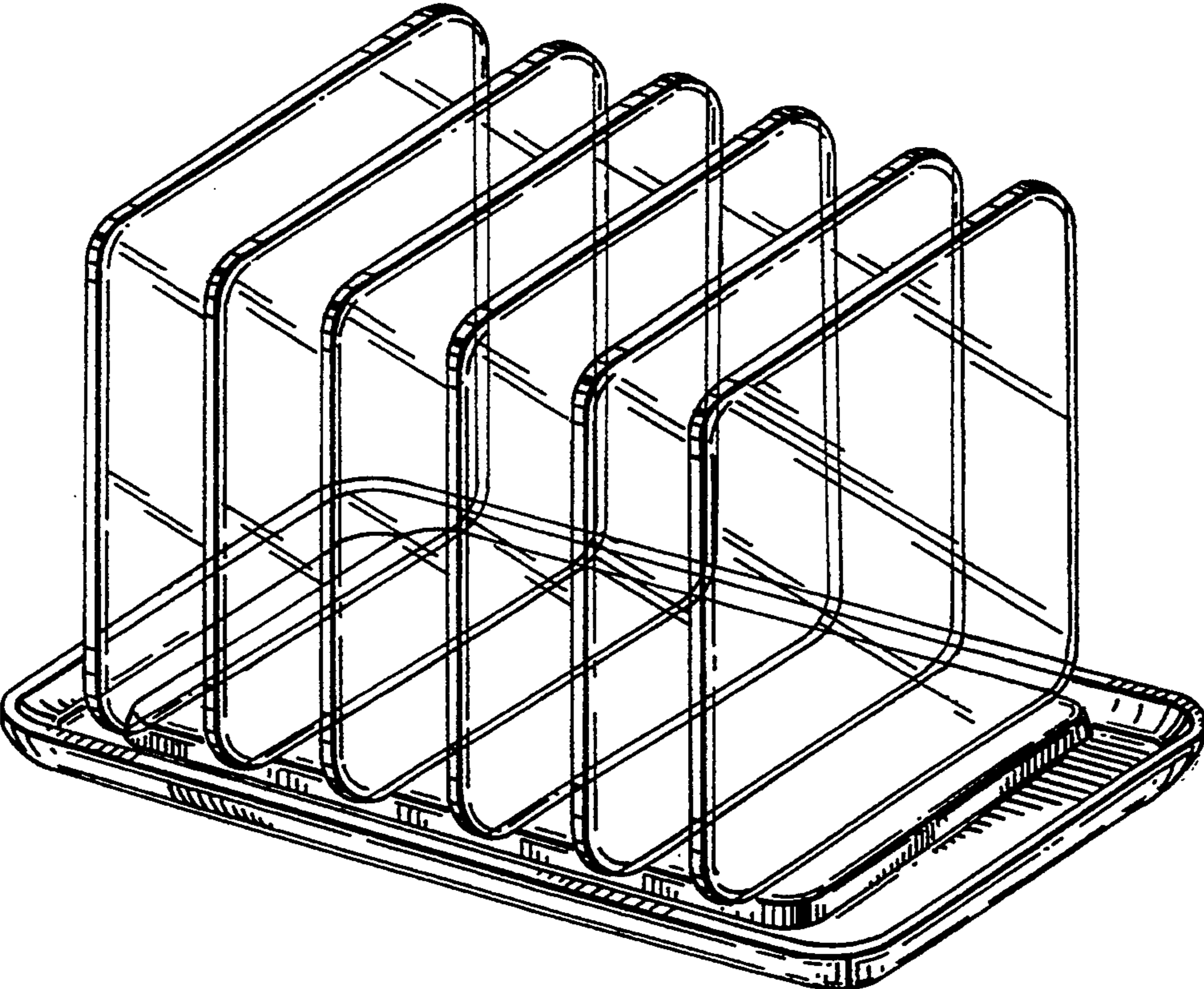


FIG. 1

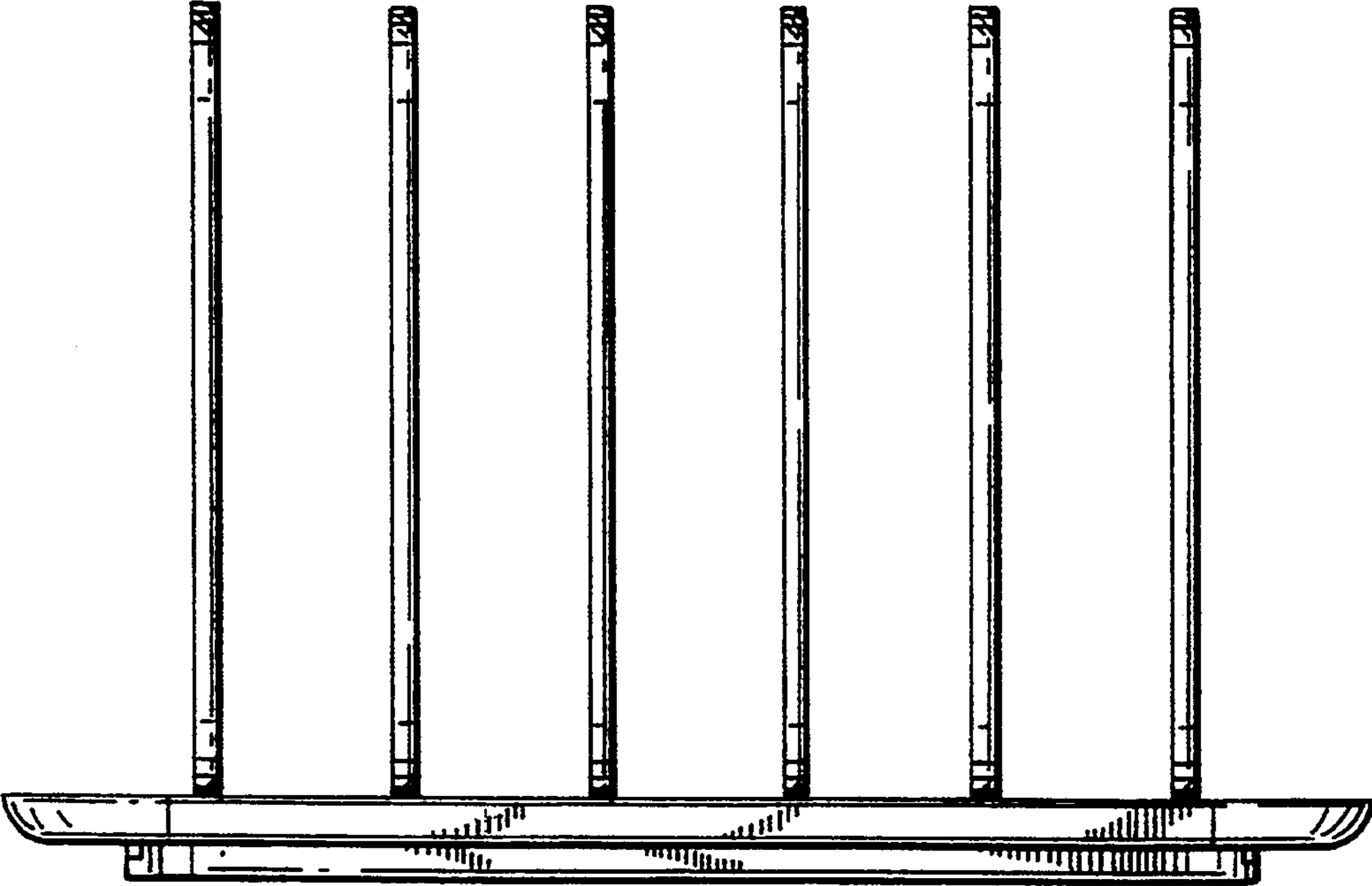


FIG. 2

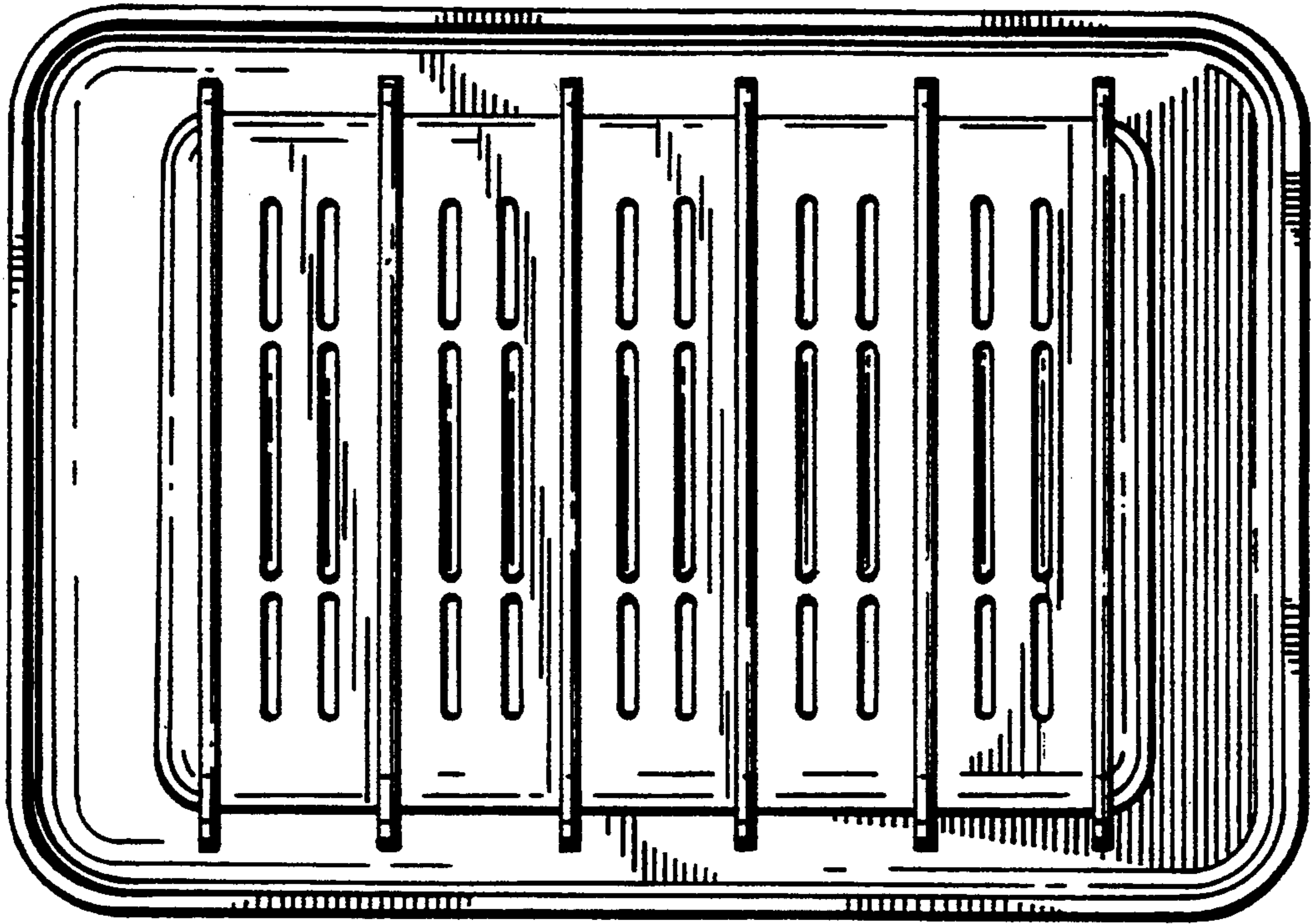


FIG. 3

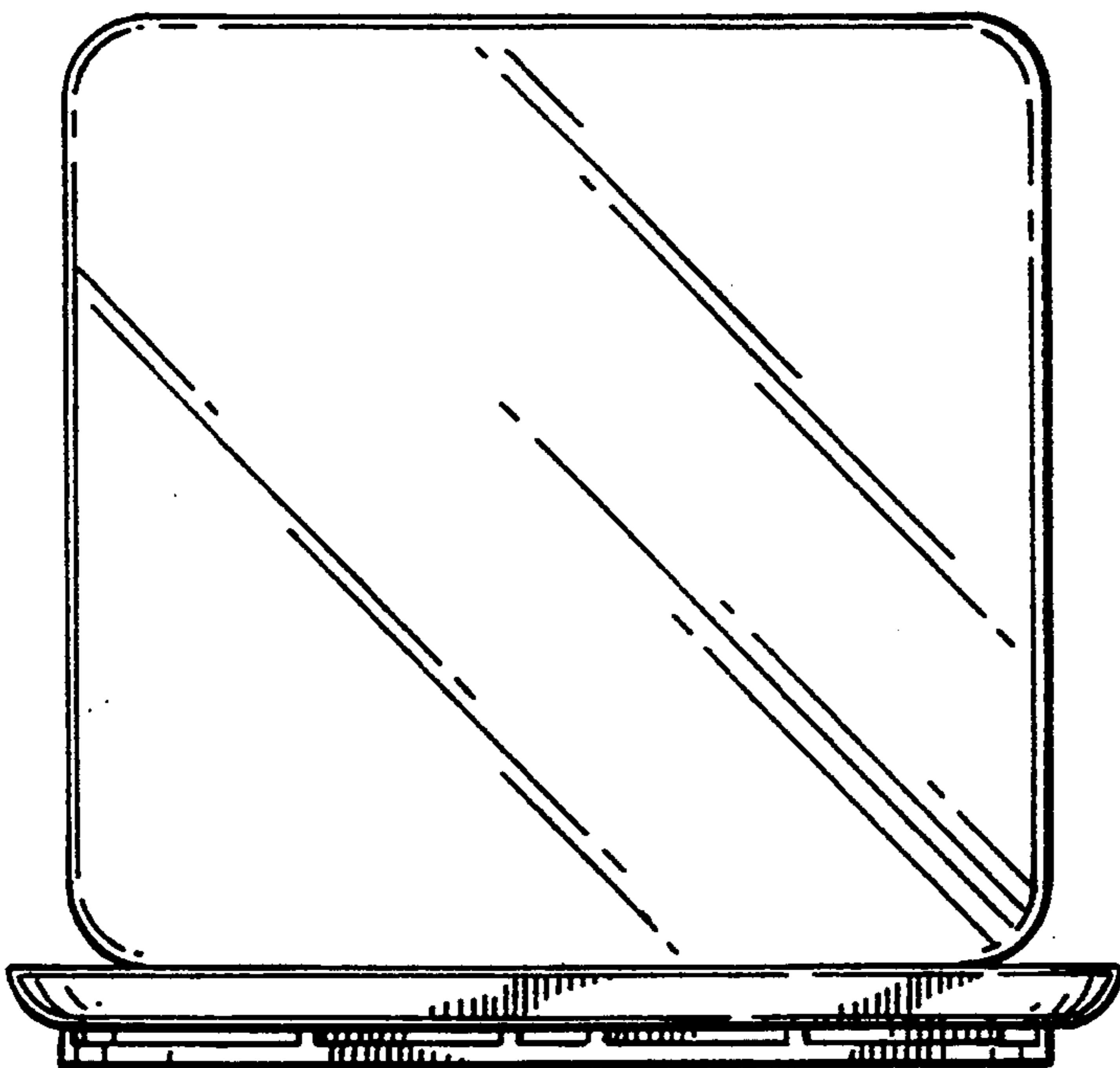


FIG. 4

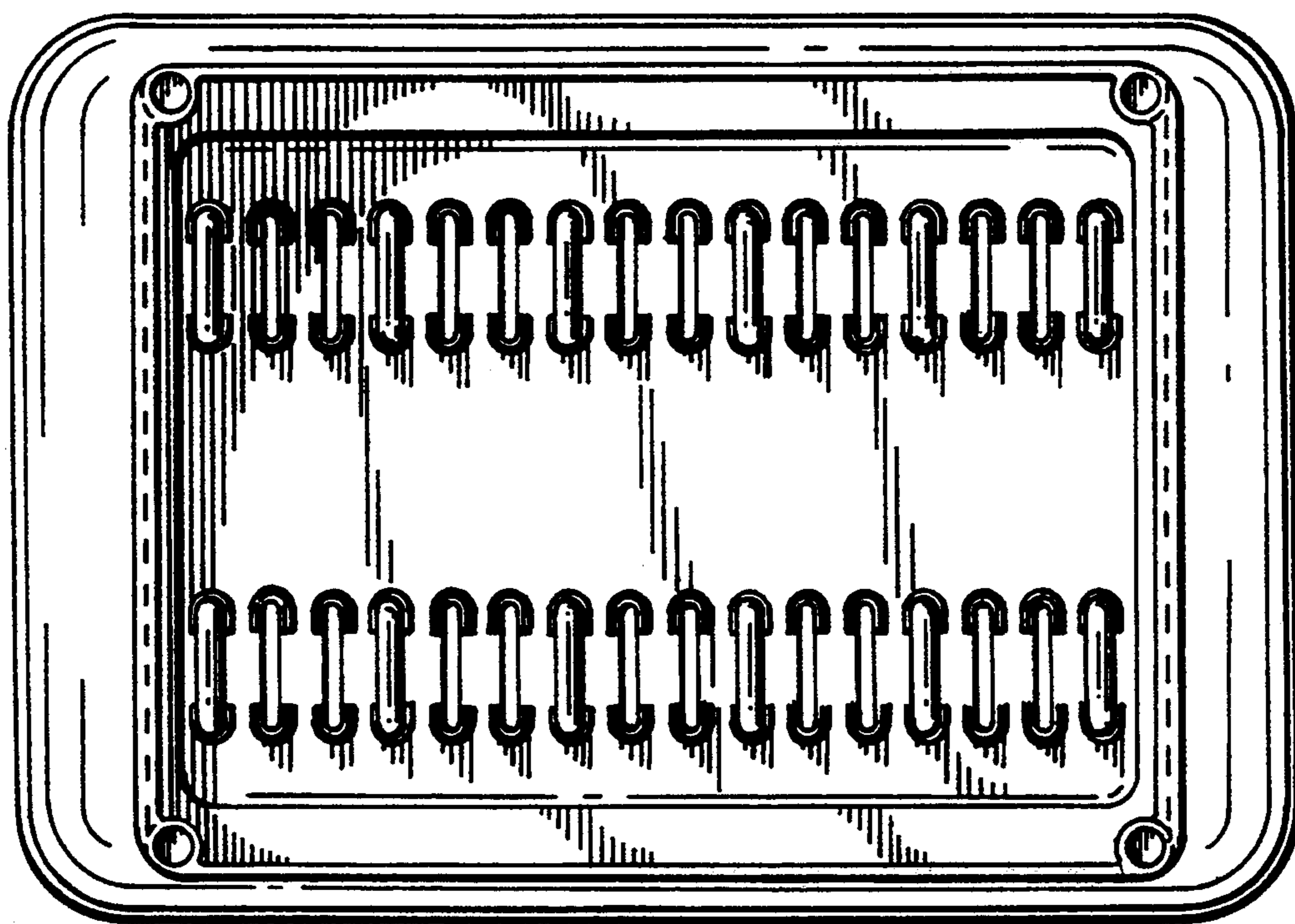


FIG. 5