



US00D353154S

United States Patent [19]

[11] Patent Number: Des. 353,154

Suzuki

[45] Date of Patent: ** Dec. 6, 1994

[54] LASER PRINTER

[75] Inventor: Yuji Suzuki, Tokyo, Japan

[73] Assignee: Ricoh Company, Ltd., Tokyo, Japan

[**] Term: 14 Years

[21] Appl. No.: 7,462

[22] Filed: Apr. 23, 1993

[30] Foreign Application Priority Data

Oct. 23, 1992 [JP] Japan 4-31186

[52] U.S. Cl. D18/50

[58] Field of Search 400/691-694,
400/613, 613.1-613.4, 690.1-690.4; D18/50,
54-55

[56] References Cited

U.S. PATENT DOCUMENTS

- D. 285,568 9/1986 Sugiyama D18/54
- D. 322,981 1/1992 Tokuda D18/54
- D. 323,344 1/1992 Umino et al. D18/54
- D. 326,278 5/1992 Grosse D18/54
- D. 338,487 8/1993 Martin D18/54
- D. 339,156 9/1993 Sato et al. D18/50

- D. 339,157 9/1993 Miyamoto et al. D18/50
- D. 339,158 9/1993 Sato D18/50
- D. 340,065 10/1993 Fukuda D18/50
- 5,182,697 1/1993 I-Shou 400/691

OTHER PUBLICATIONS

Dell Catalog advertisement for Canon Bubble Jet Printer BJ-10ex editors' choice; p. 16.

Mannesmann Tally Corp.; Jan. 1993; MOBILEWriter. Seikosha LT-20; a Seiko Group; 1991; Laptop Printer.

Primary Examiner—Cathy Anne MacCormac
Attorney, Agent, or Firm—Dickstein, Shapiro & Morin

[57] CLAIM

The ornamental design for a laser printer, as shown and described.

DESCRIPTION

FIG. 1 is a perspective view of my laser printer;
 FIG. 2 is a top view thereof;
 FIG. 3 is a bottom view thereof;
 FIG. 4 is a front view thereof;
 FIG. 5 is a rear view thereof;
 FIG. 6 is a left side view thereof;
 FIG. 7 is a right side view thereof; and,
 FIG. 8 is another perspective view thereof.

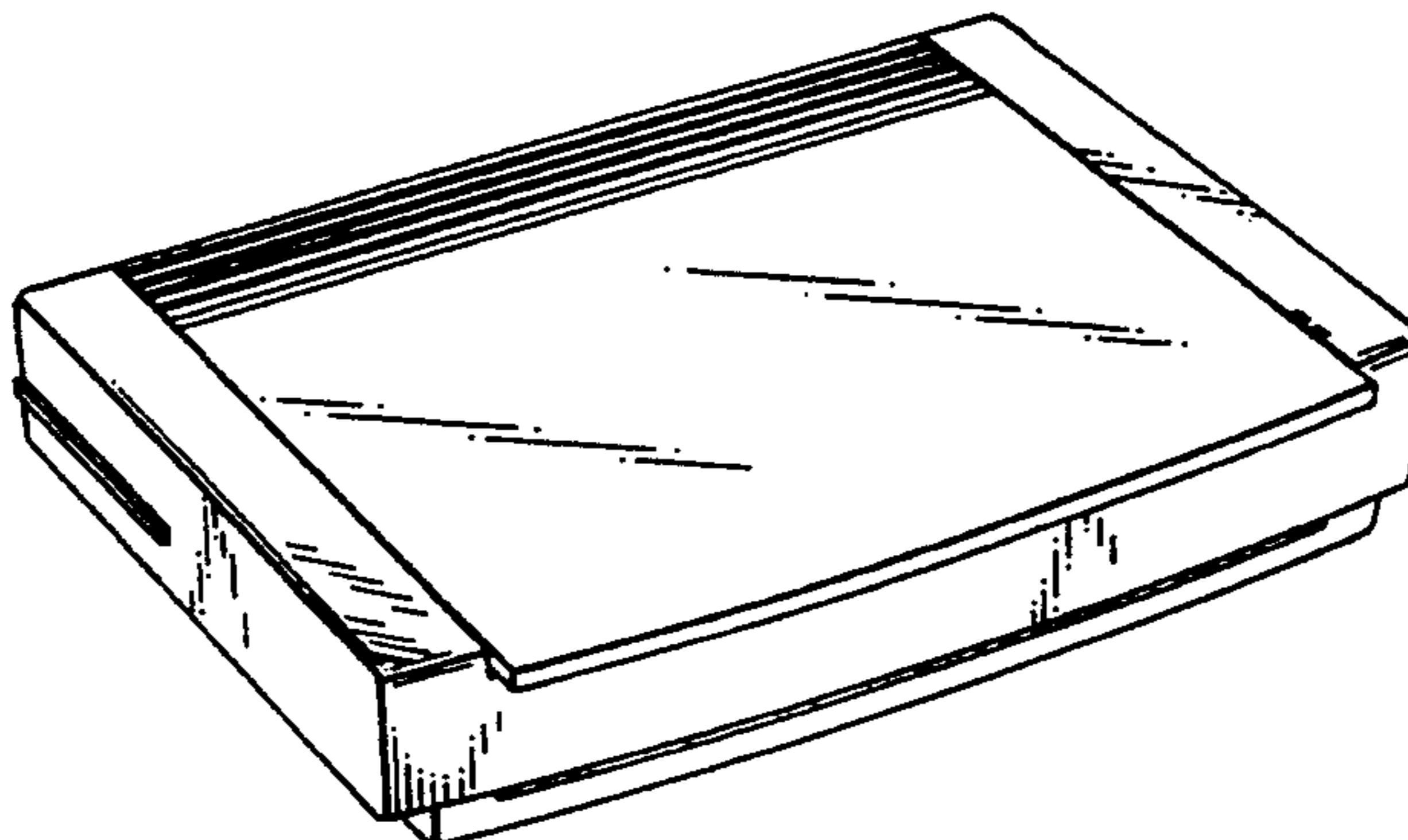
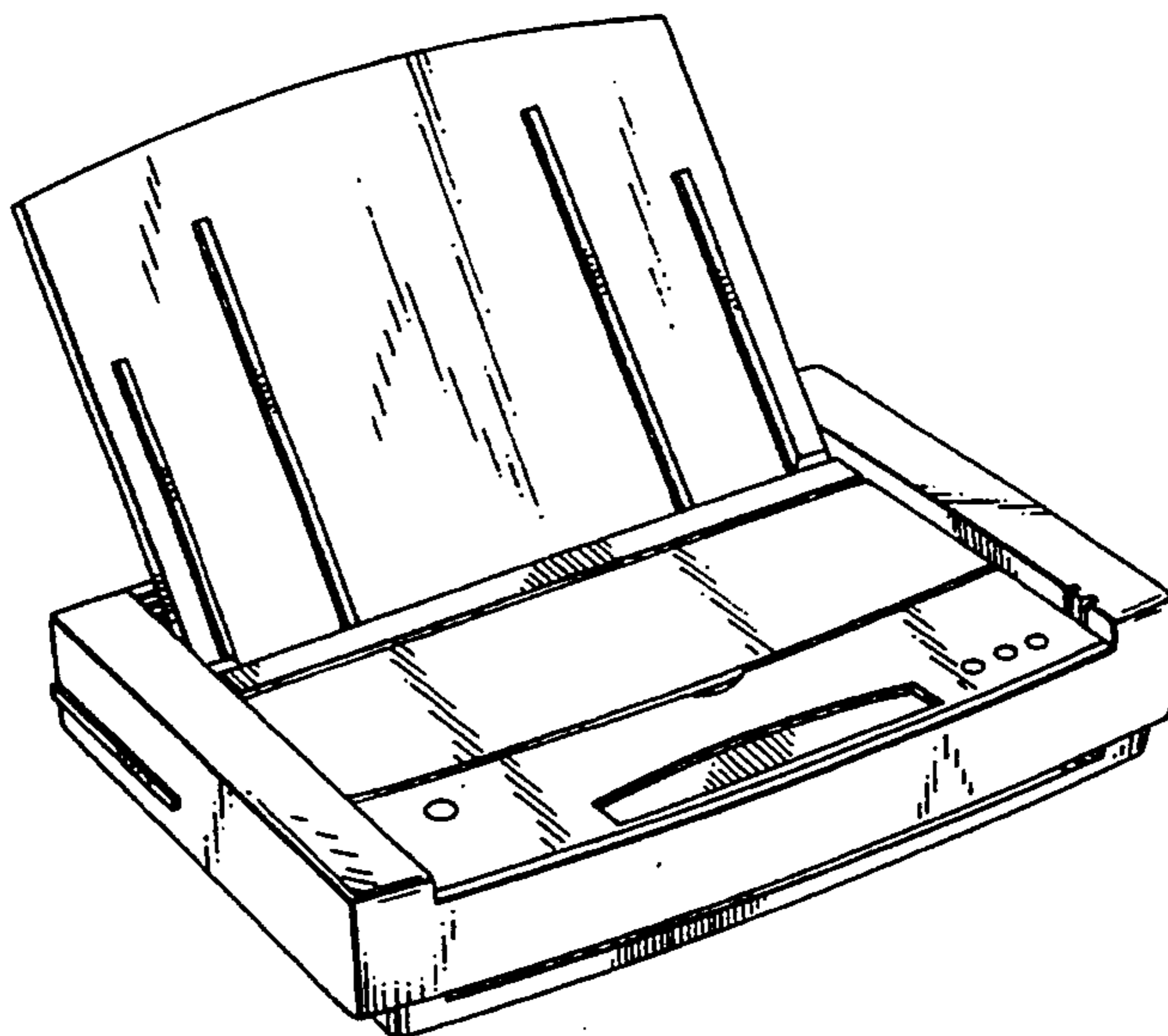


FIG. 1

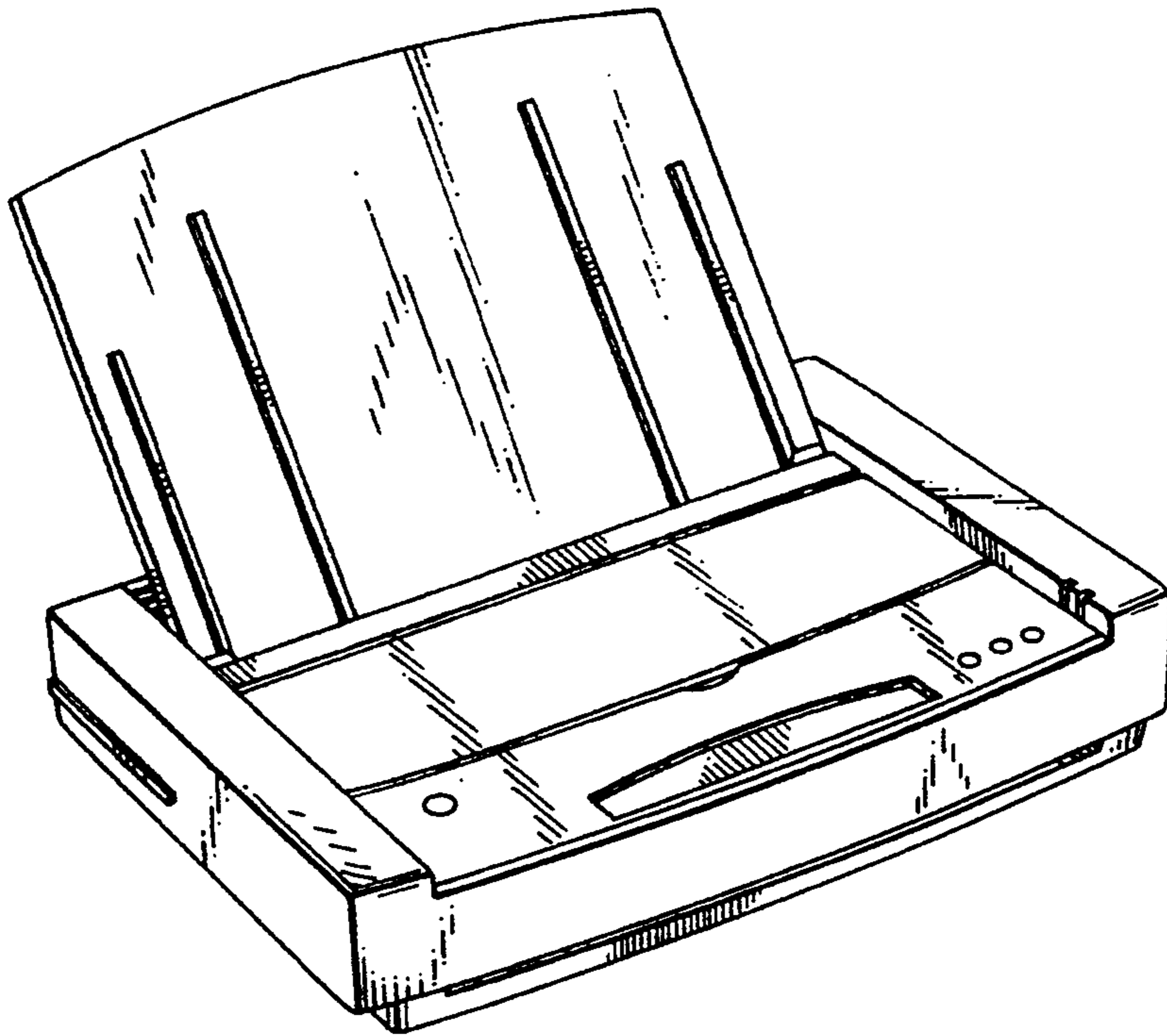


FIG. 2

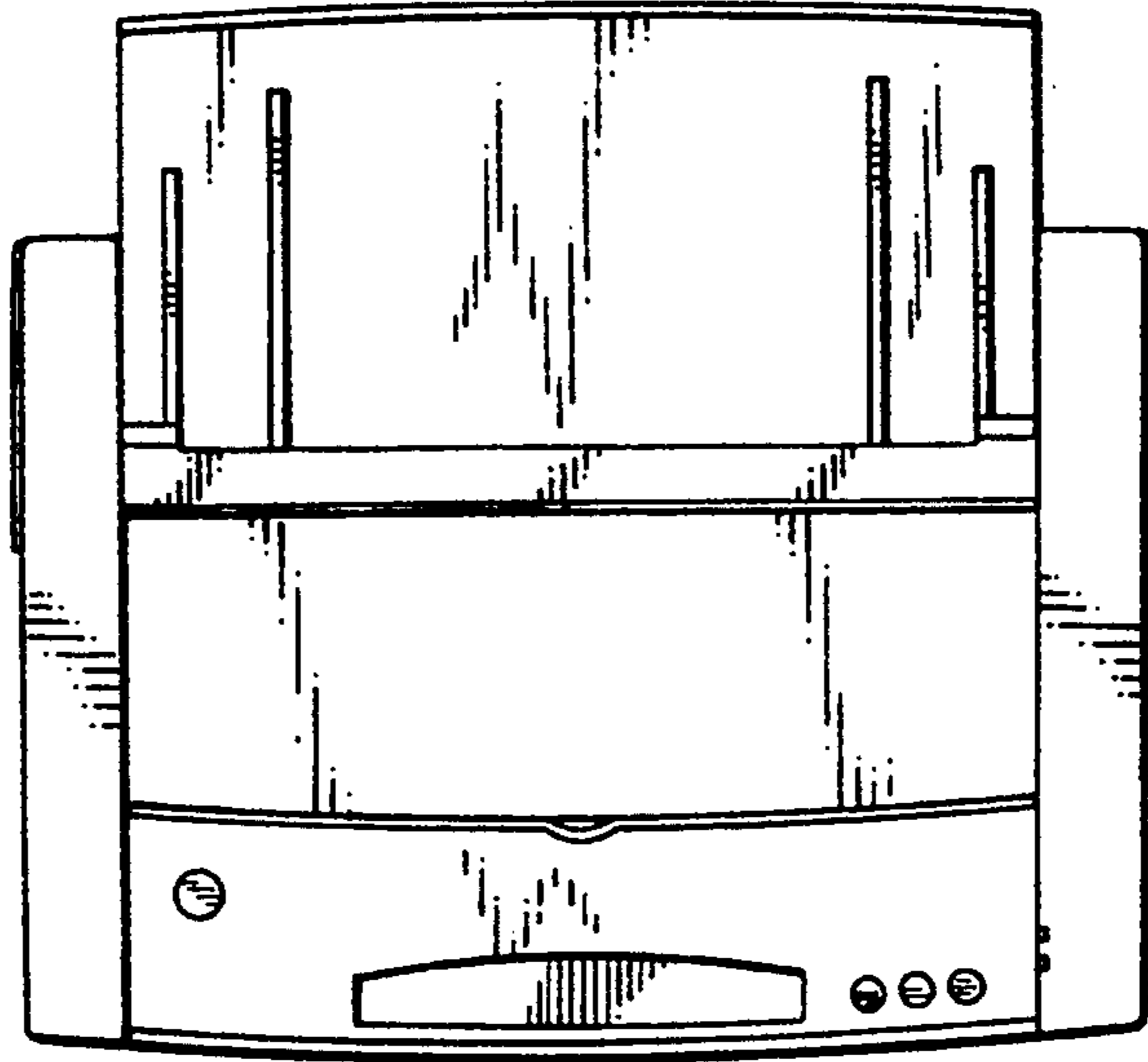


FIG. 3

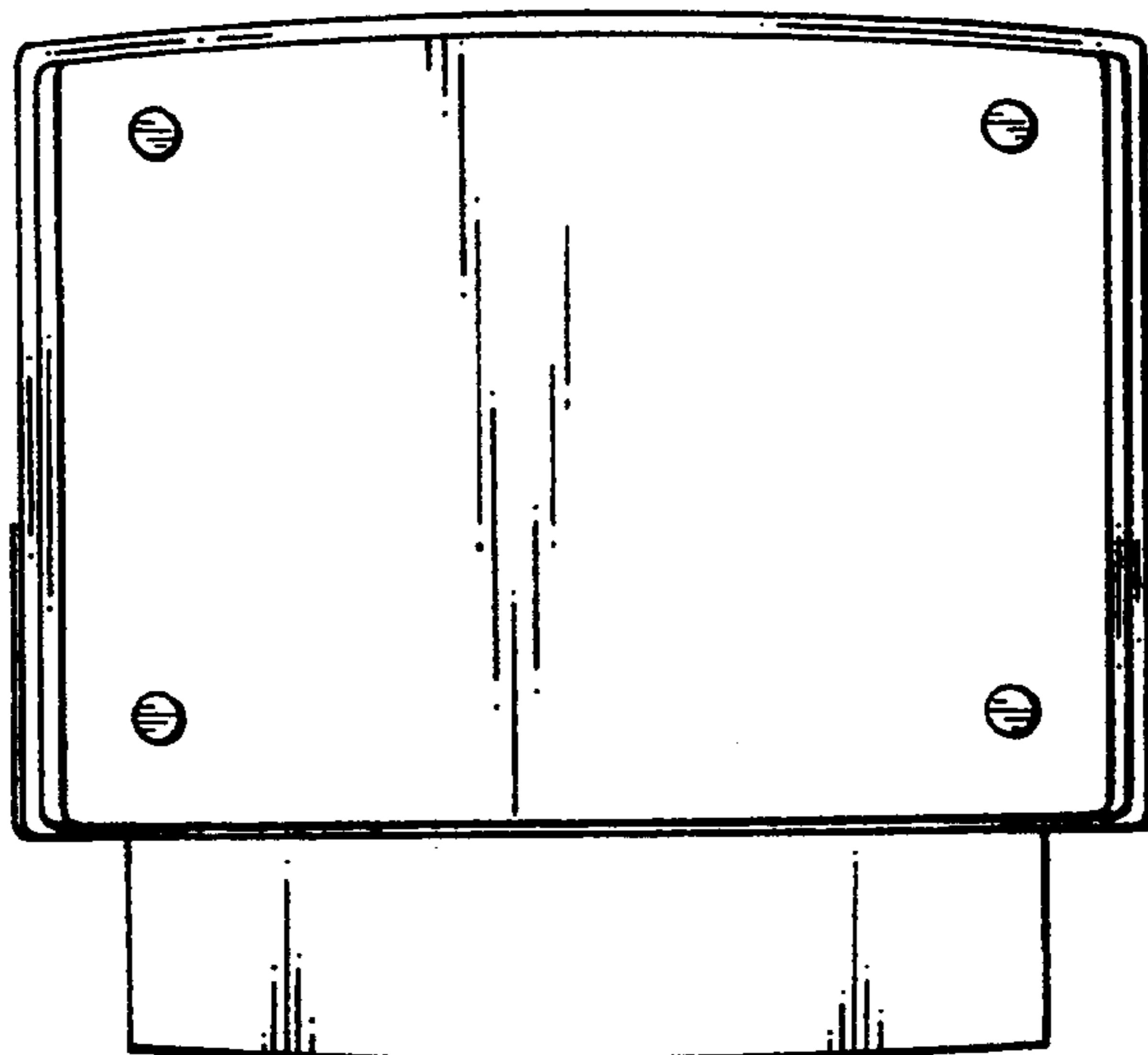


FIG. 4

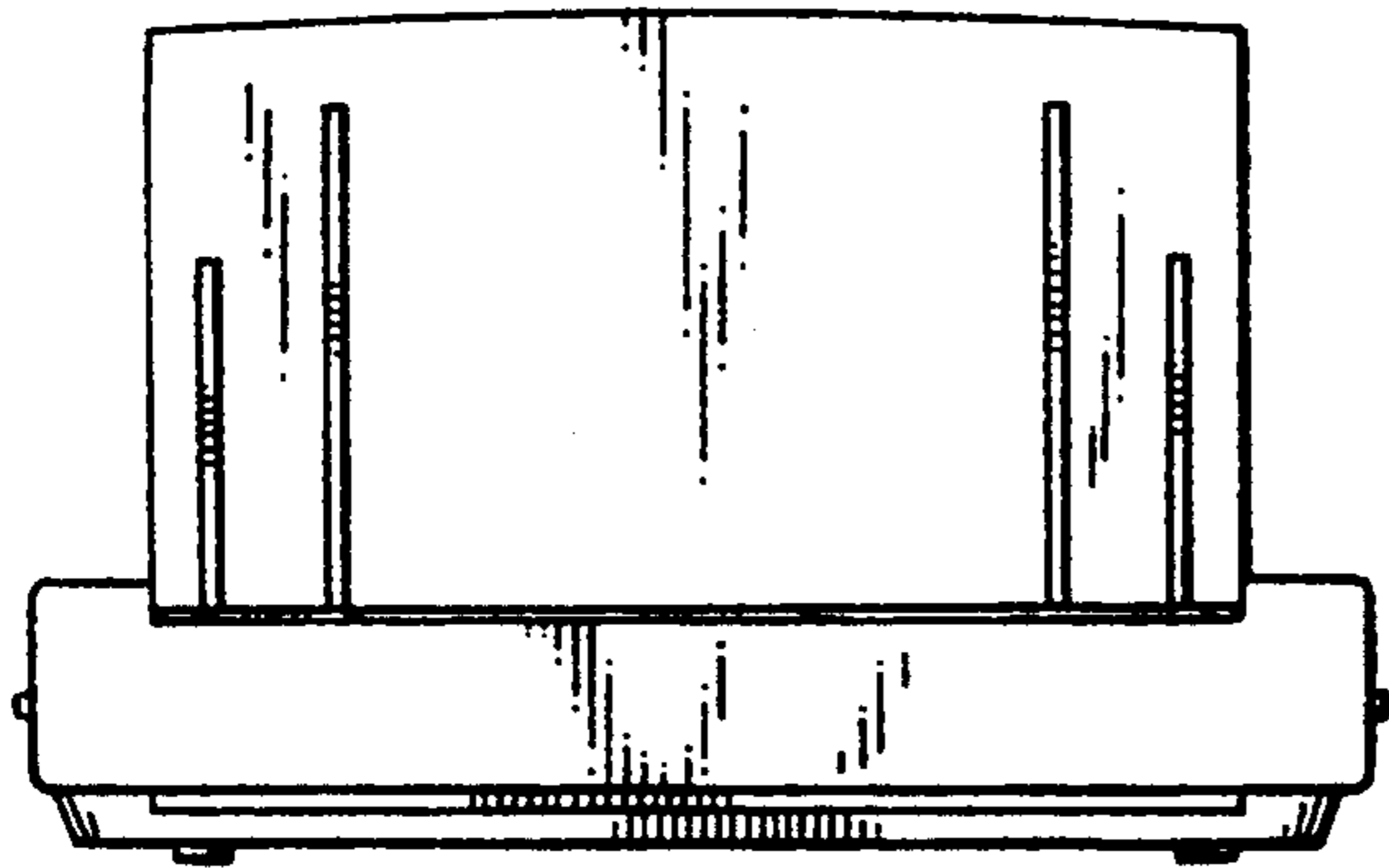


FIG. 5

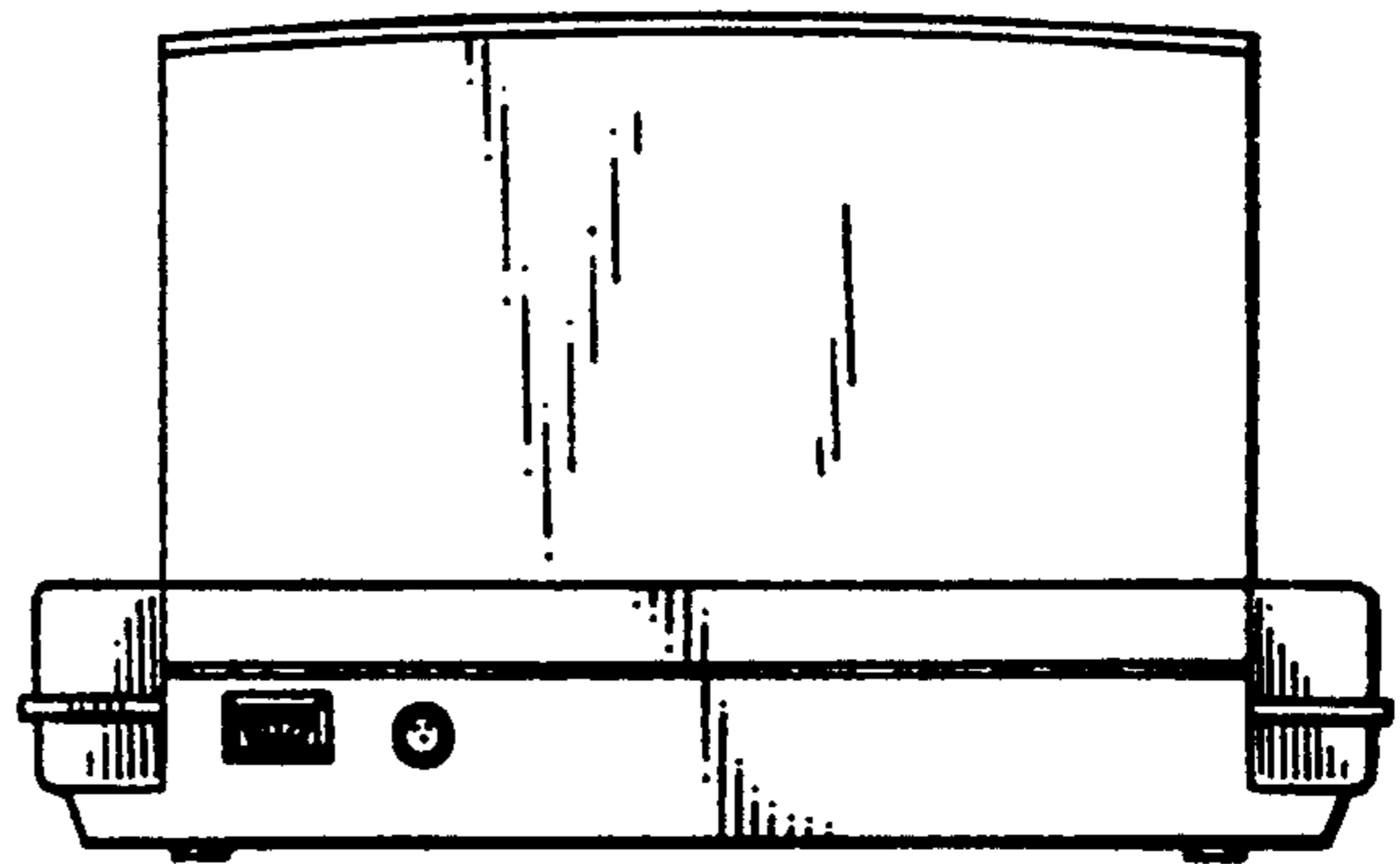


FIG. 6

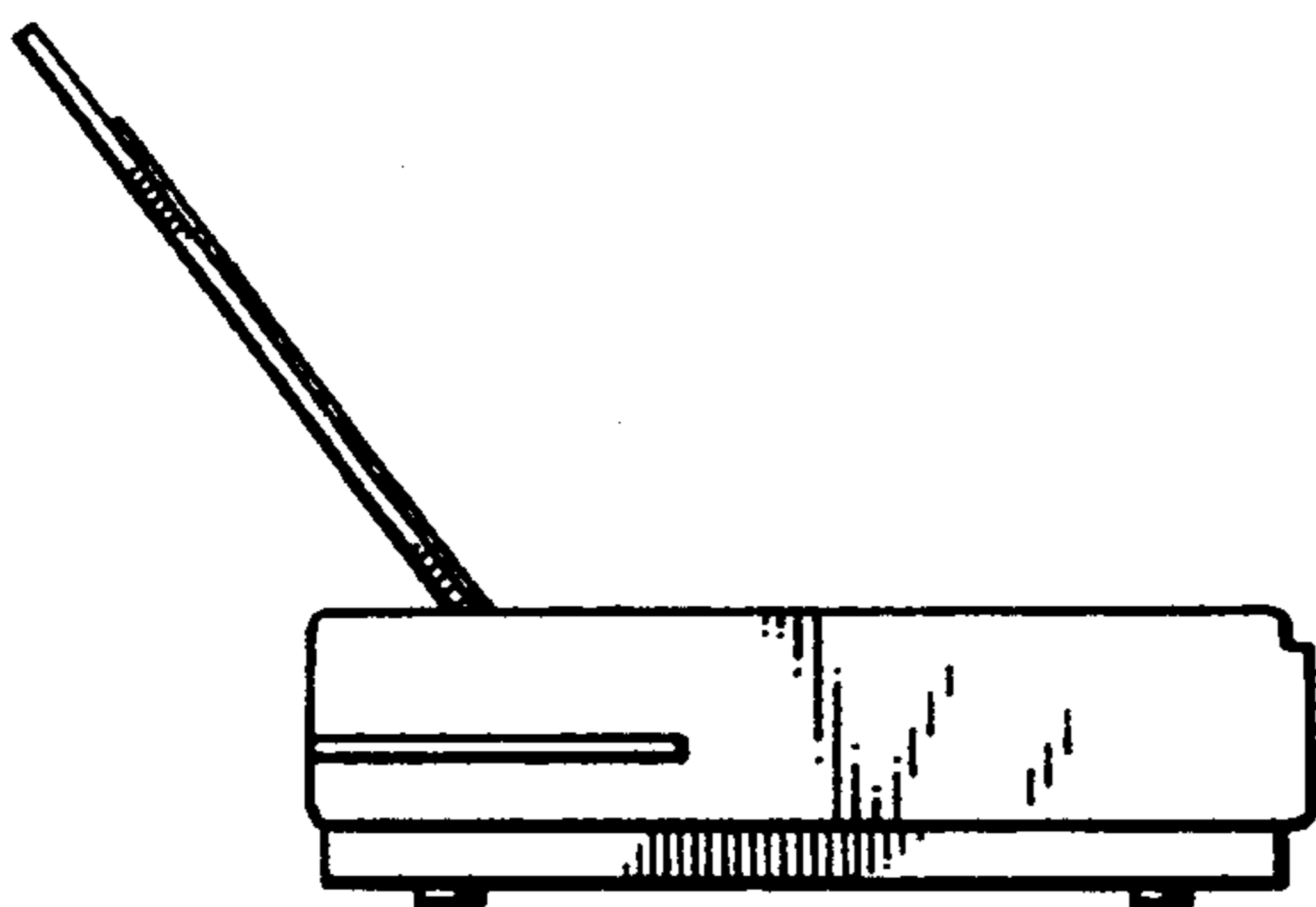


FIG. 7

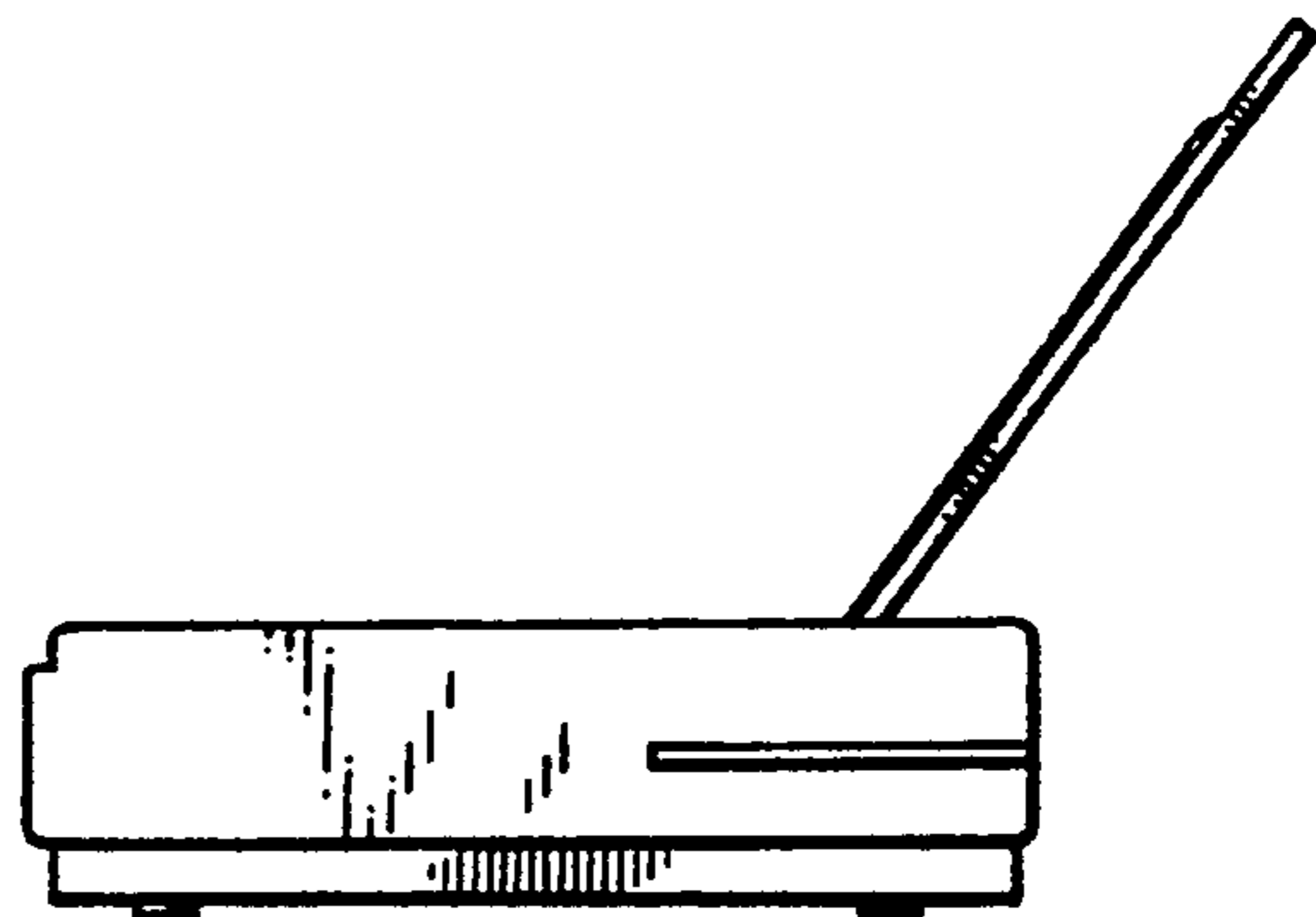


FIG. 8

