



US00D353150S

United States Patent [19]

[11] Patent Number: **Des. 353,150**

Mori

[45] Date of Patent: **** Dec. 6, 1994**

[54] **DISC CUTTER**

[75] Inventor: **Chuzo Mori**, Tokyo, Japan

[73] Assignee: **Carl Jimuki Kabushiki Kaisha**,
Tokyo, Japan

[**] Term: **14 Years**

[21] Appl. No.: **11,568**

[22] Filed: **Aug. 9, 1993**

[30] **Foreign Application Priority Data**

Feb. 15, 1993 [JP] Japan 5-4024

[52] U.S. Cl. **D15/127**

[58] Field of Search 83/56, 560, 520, 859,
83/879-887; D15/127, 128, 129, 130, 131, 132

[56] **References Cited**

U.S. PATENT DOCUMENTS

D. 322,974 1/1992 Mori .
4,747,330 5/1988 Carithers, Jr. 83/455 X
5,069,097 12/1991 Mori 83/455 X

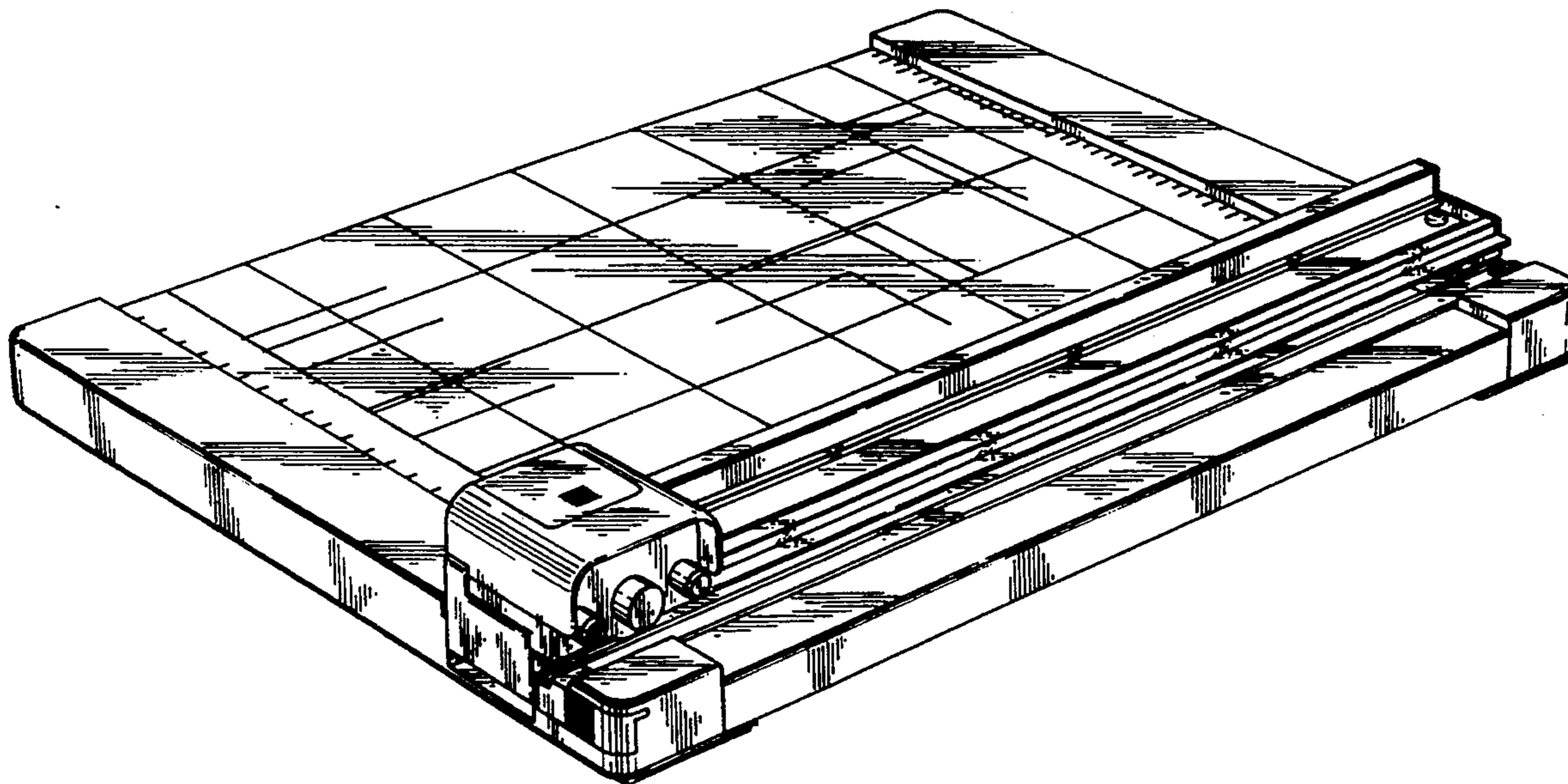
Primary Examiner—Alan P. Douglas
Assistant Examiner—Antoine D. Davis
Attorney, Agent, or Firm—Oliff & Berridge

[57] **CLAIM**

The ornamental design for a disc cutter, as shown and described.

DESCRIPTION

FIG. 1 is a top, front and left side perspective view of a disc cutter showing my new design; FIG. 2 is a bottom, rear and right side perspective view; FIG. 3 is a left side elevational view; FIG. 4 is a rear elevational view; and, FIG. 5 is a top plan view thereof.



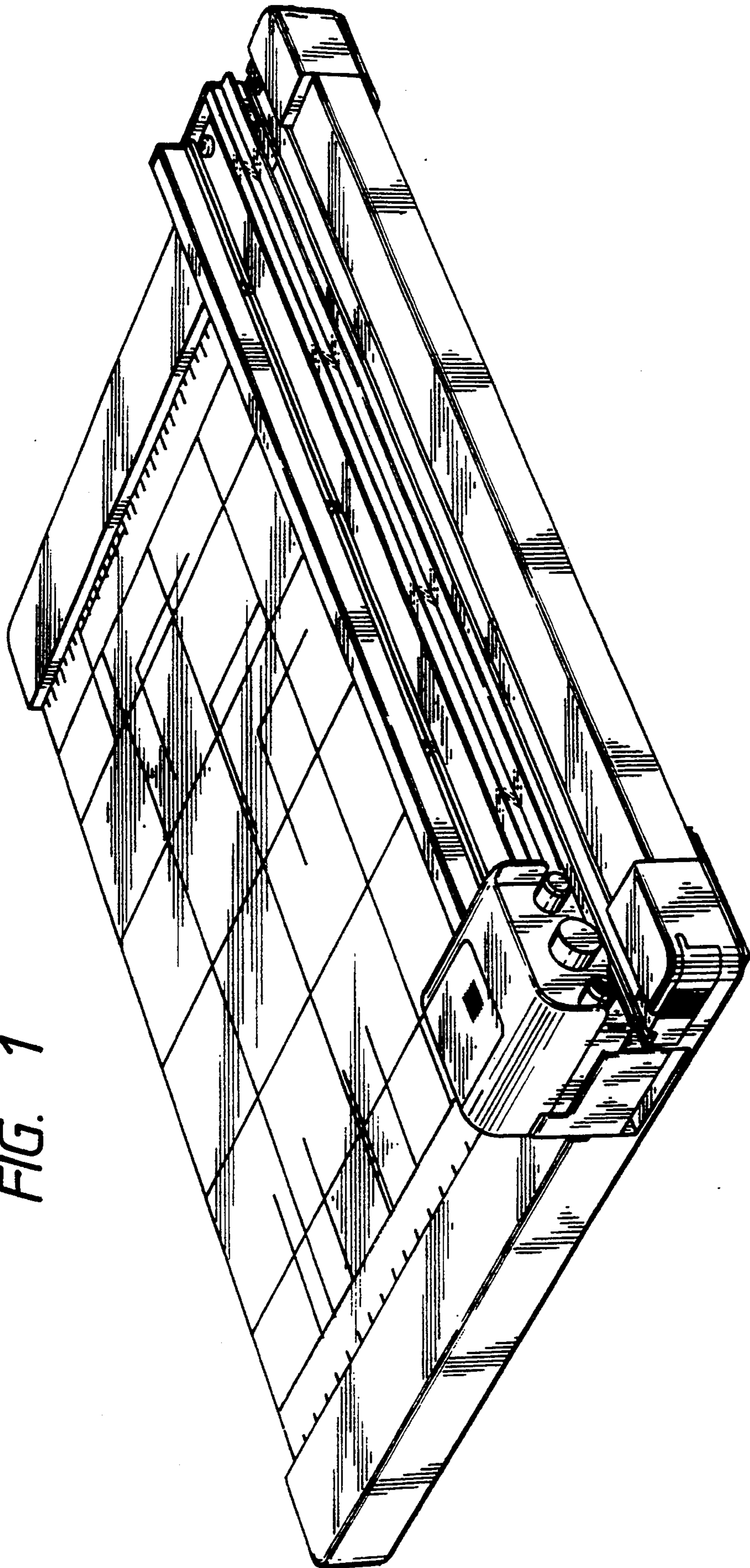


FIG. 1

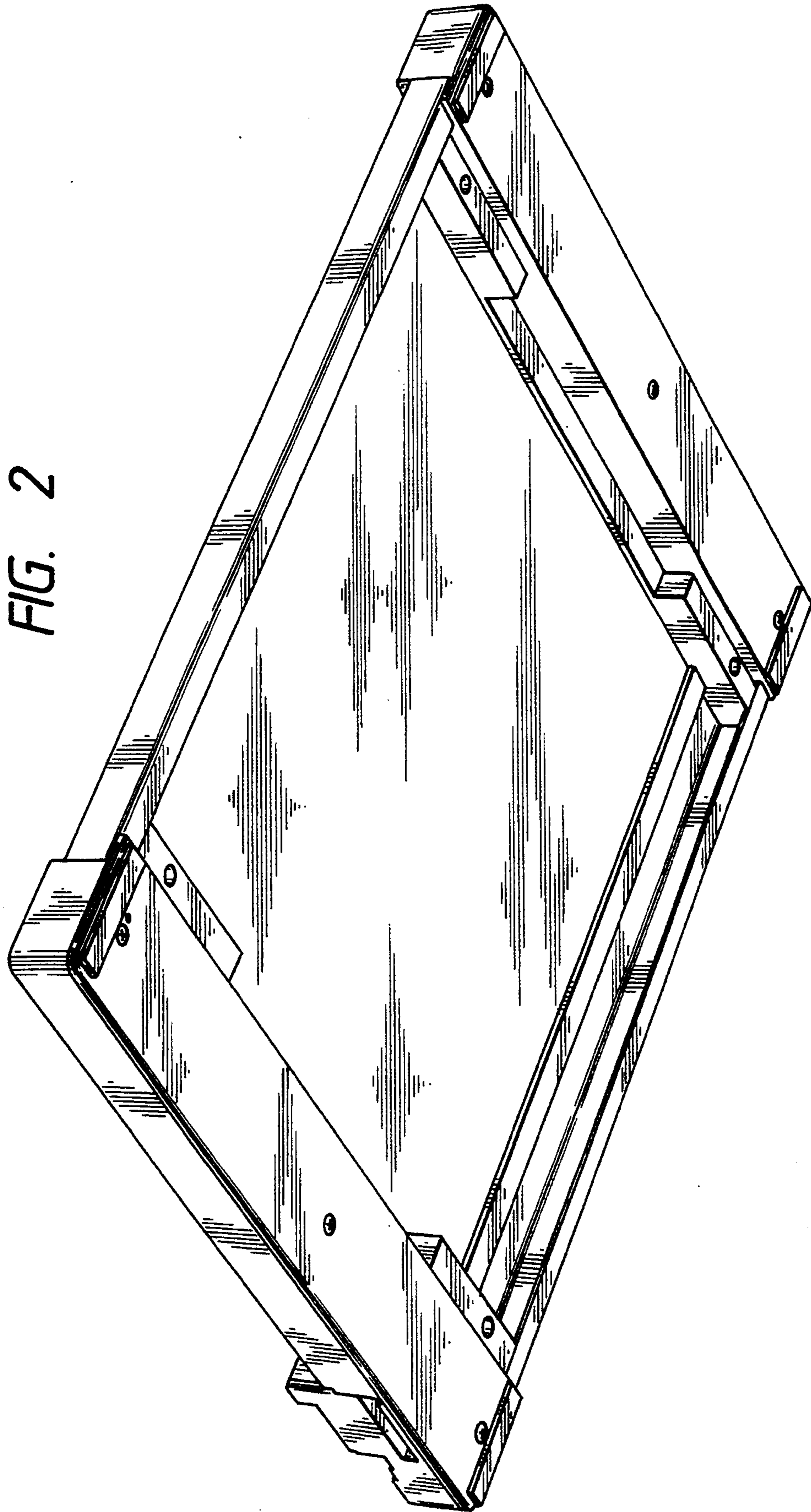


FIG. 2

FIG. 3

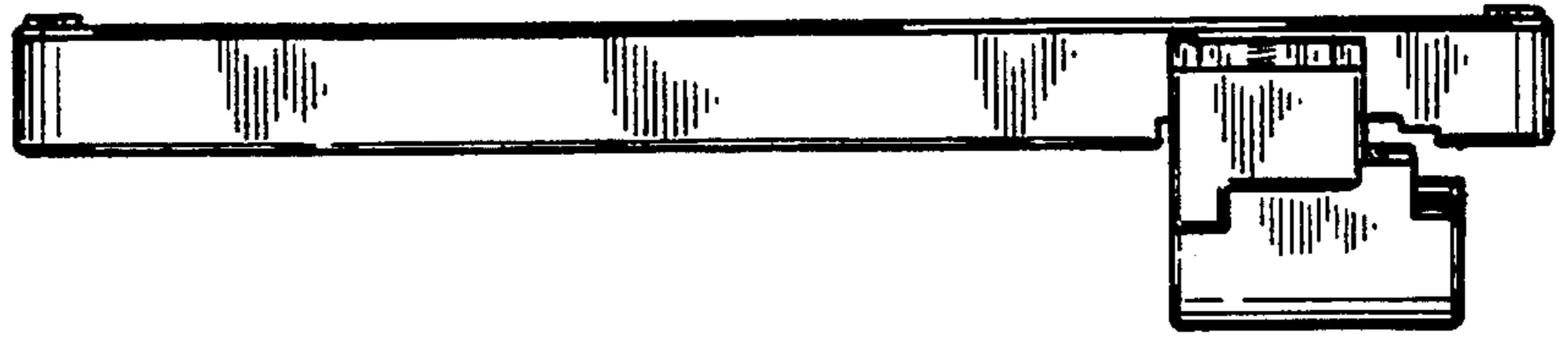


FIG. 4

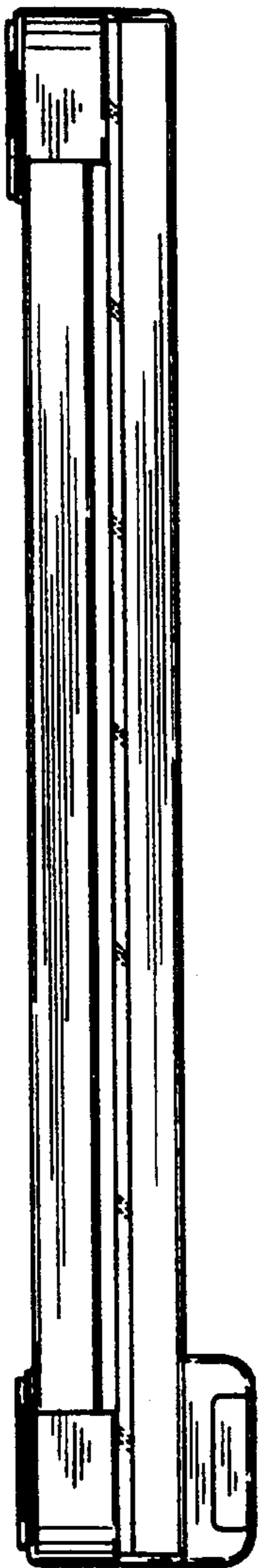


FIG. 5

