



US00D353149S

# United States Patent [19]

[11] Patent Number: **Des. 353,149**

**Hewitt**

[45] Date of Patent: **\*\* Dec. 6, 1994**

[54] **TILTING ARBOR**

[75] Inventor: **Timothy W. Hewitt**, Pleasant Ridge, Mich.

[73] Assignee: **Clayton Machine Corporation**, Clawson, Mich.

[\*\*] Term: **14 Years**

[21] Appl. No.: **844,395**

[22] Filed: **Mar. 2, 1992**

[52] U.S. Cl. .... **D15/125**

[58] Field of Search ..... **51/135 R, 166 TS; D15/124-126**

[56] **References Cited**

**U.S. PATENT DOCUMENTS**

- D. 188,765 9/1960 Franklin ..... D15/124
- D. 323,331 1/1992 Wang ..... D15/125

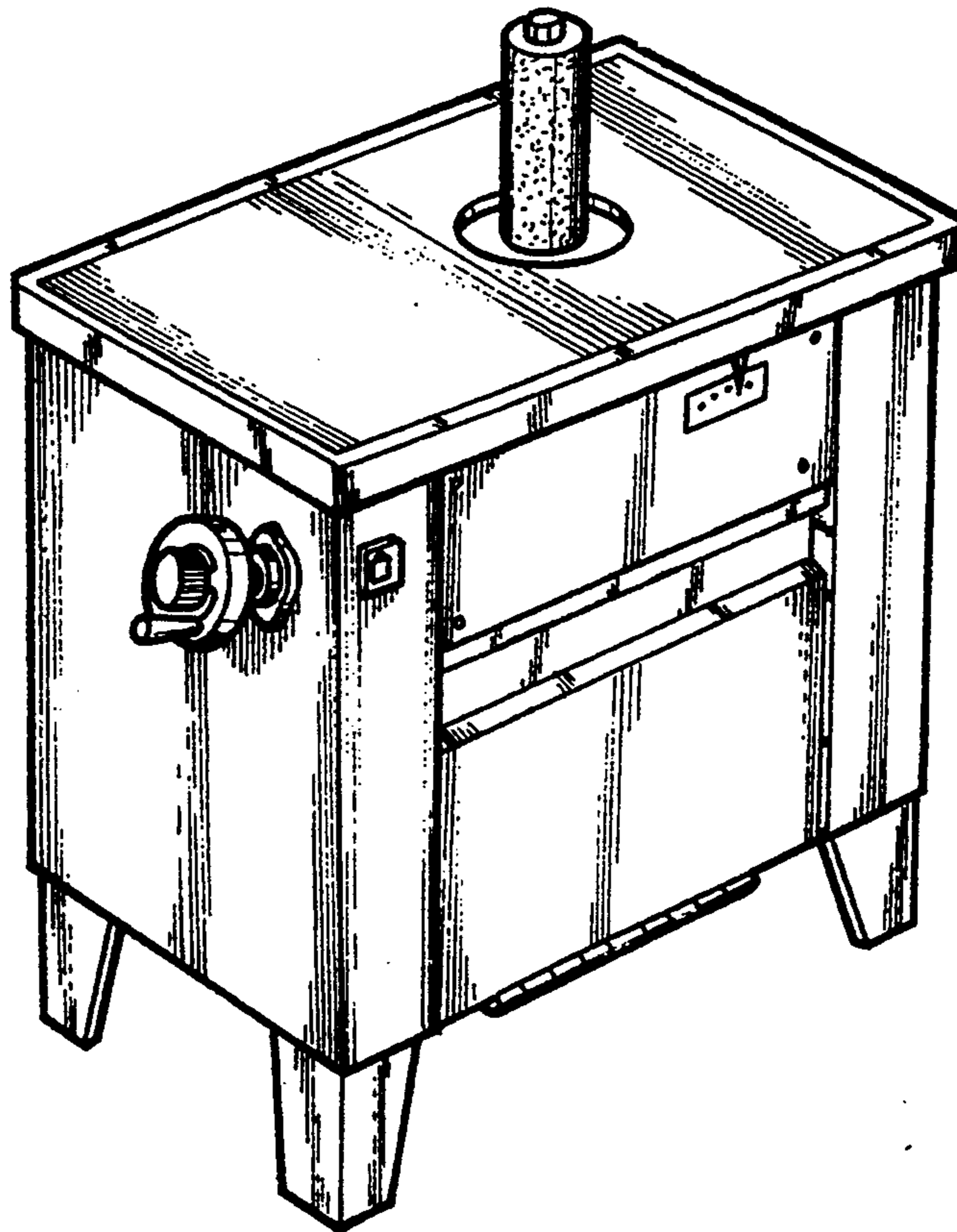
*Primary Examiner*—Nelson C. Holtje  
*Assistant Examiner*—Antoine D. Davis  
*Attorney, Agent, or Firm*—Gifford, Groh, Sprinkle, Patmore and Anderson

[57] **CLAIM**

The ornamental design for a tilting arbor, as shown and described.

**DESCRIPTION**

FIG. 1 is a perspective view embodying the ornamental design constituting my invention;  
FIG. 2 is a front elevational view;  
FIG. 3 is a left side view;  
FIG. 4 is a right side view shown with the bin in an open condition;  
FIG. 5 is a top elevational view;  
FIG. 6 is a rear elevational view; and,  
FIG. 7 is a bottom elevational view.



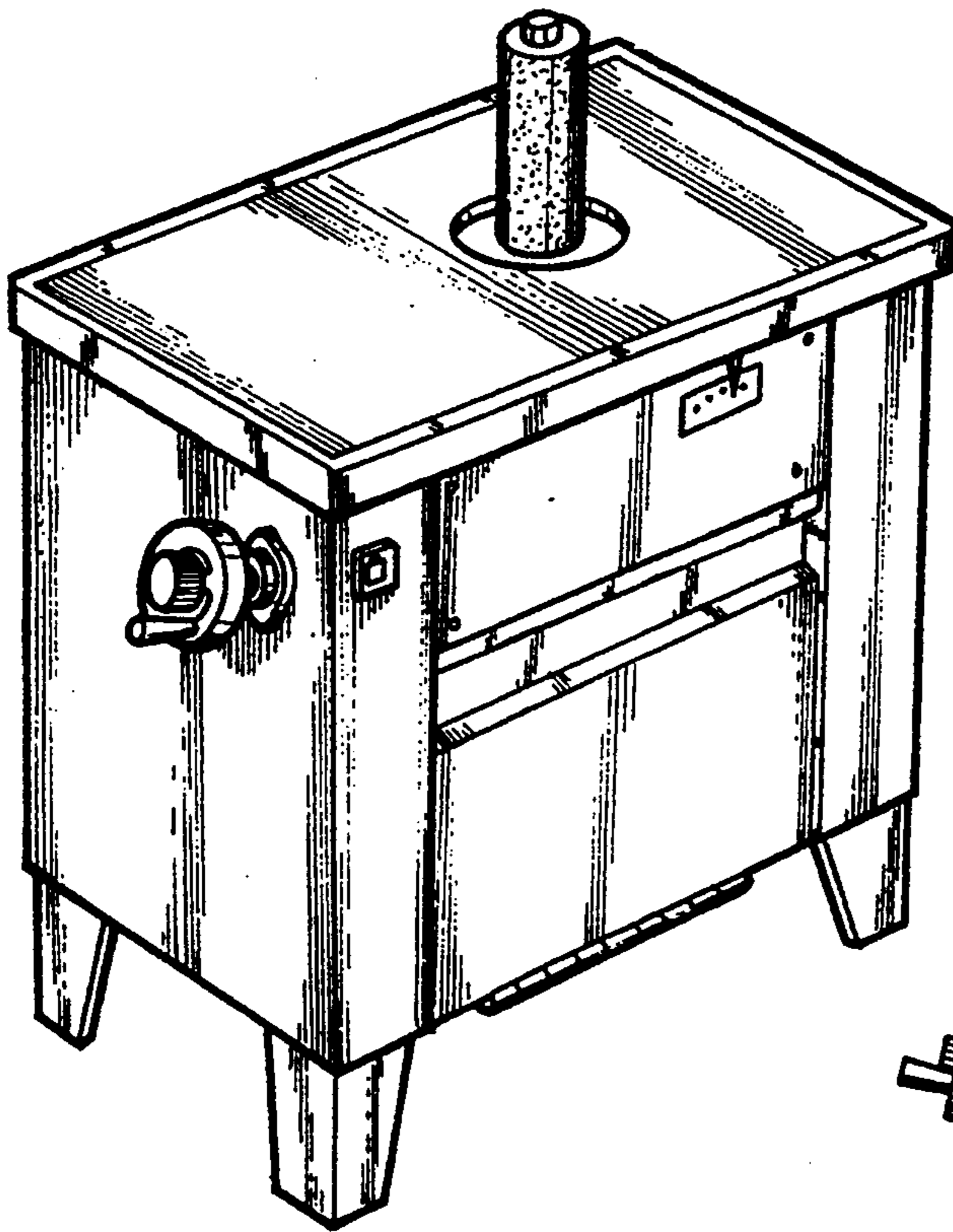


Fig-1

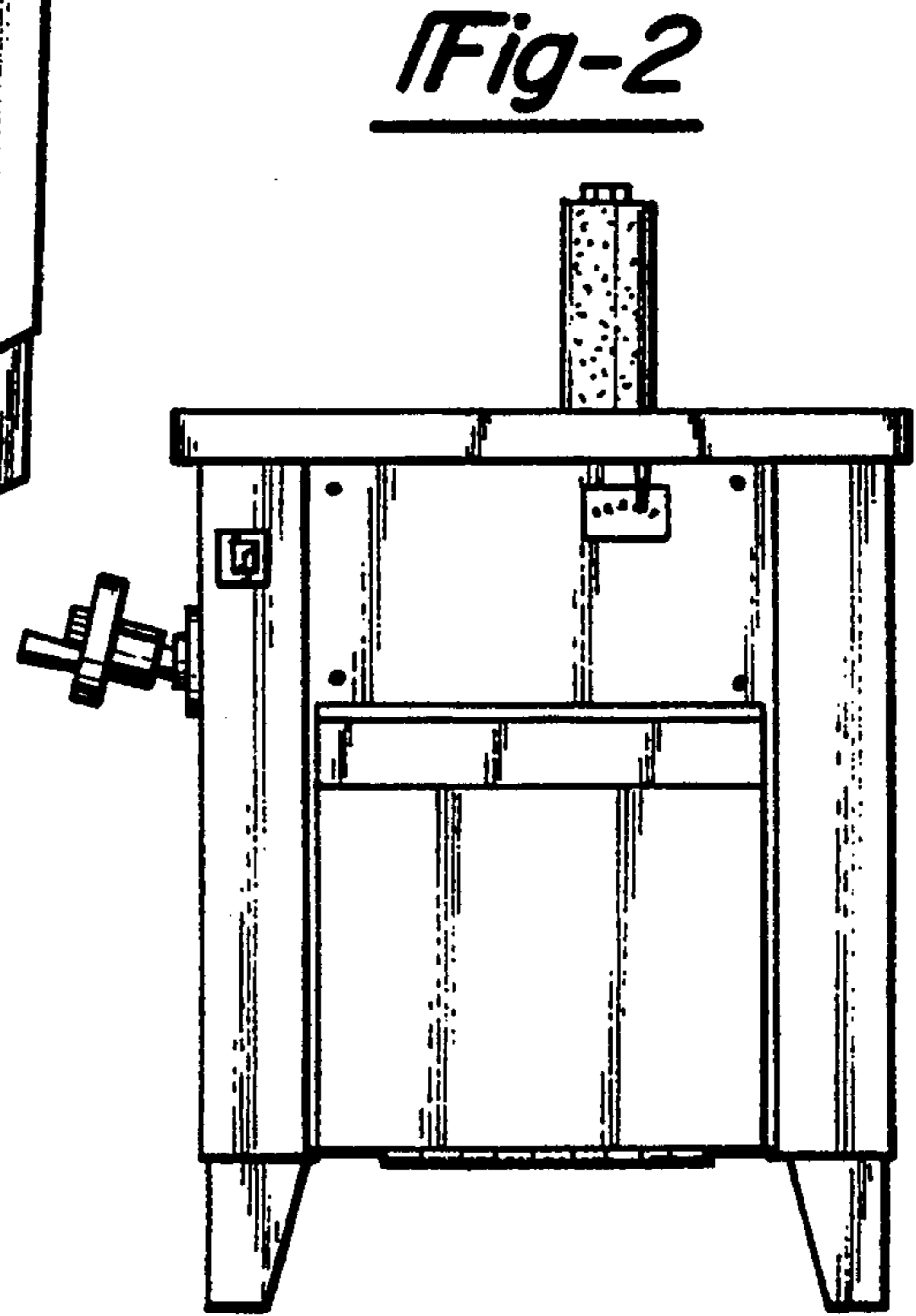


Fig-2

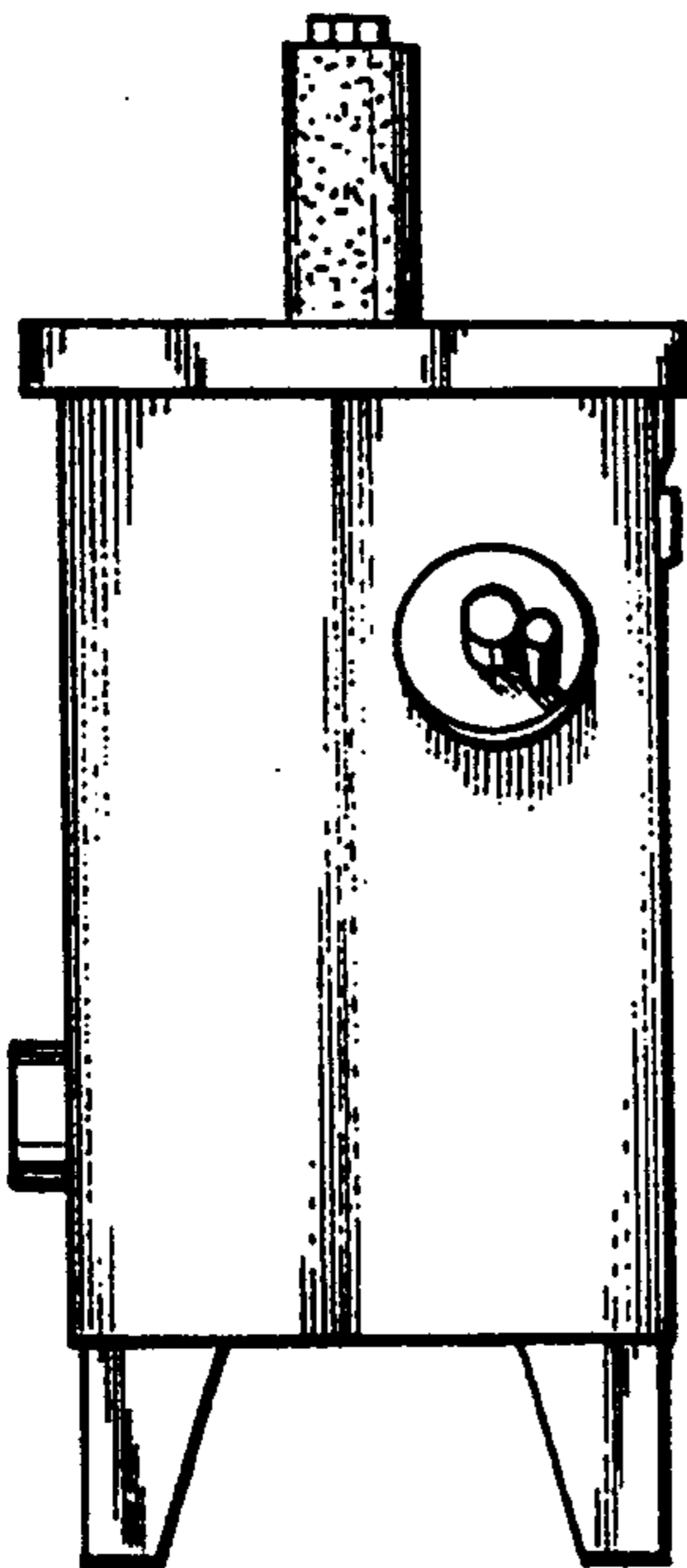


Fig-3

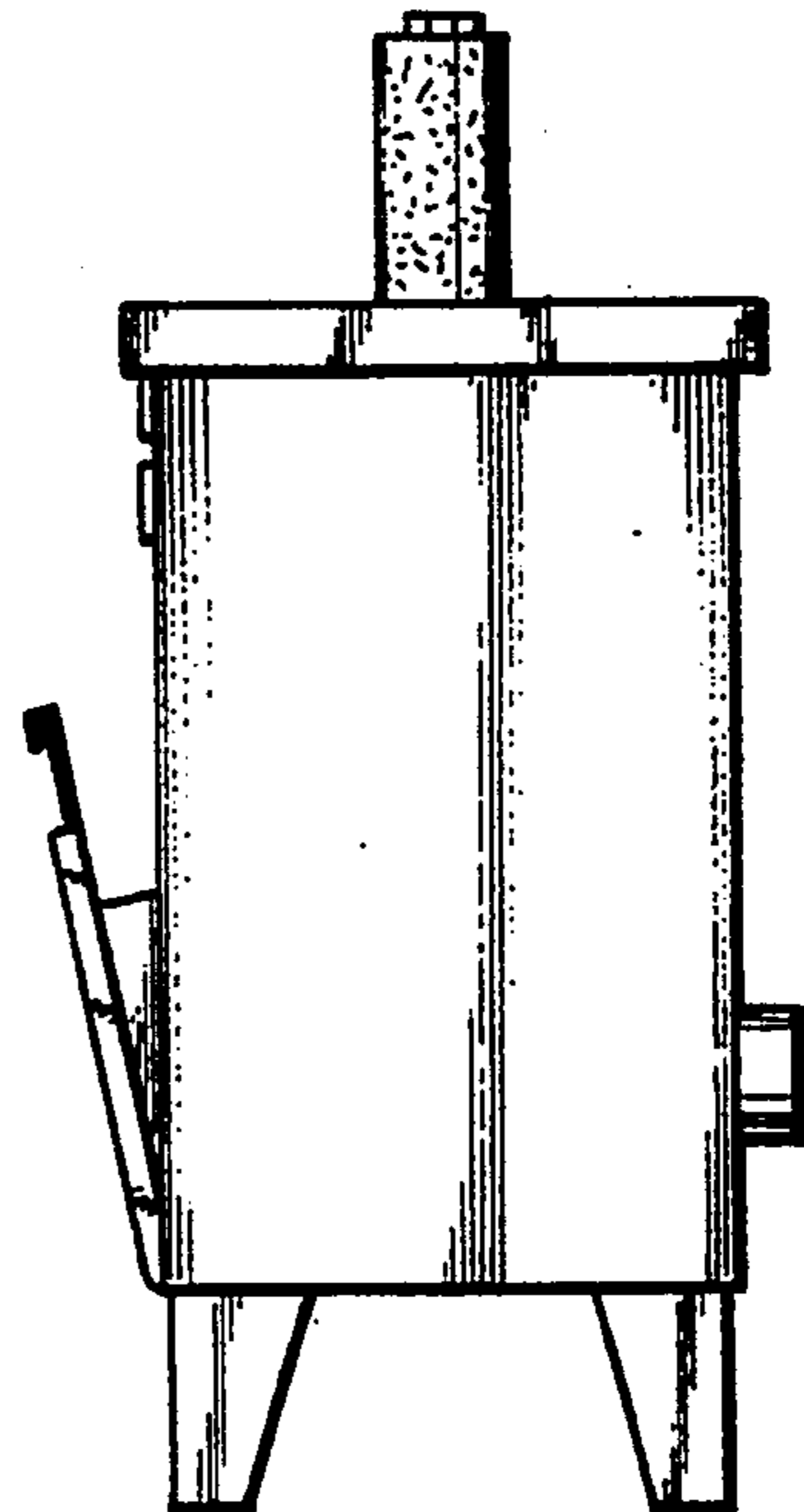


Fig-4

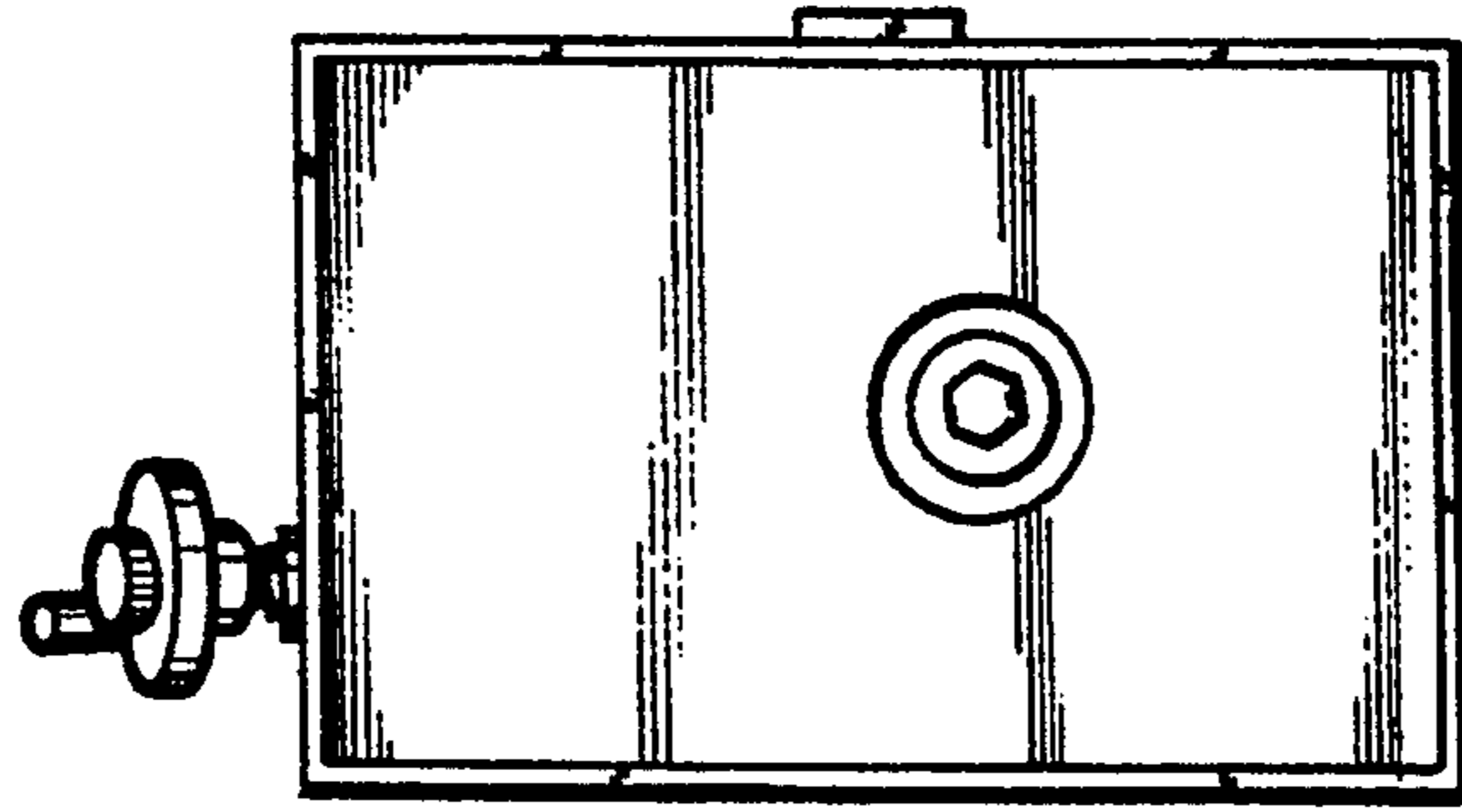


Fig-5

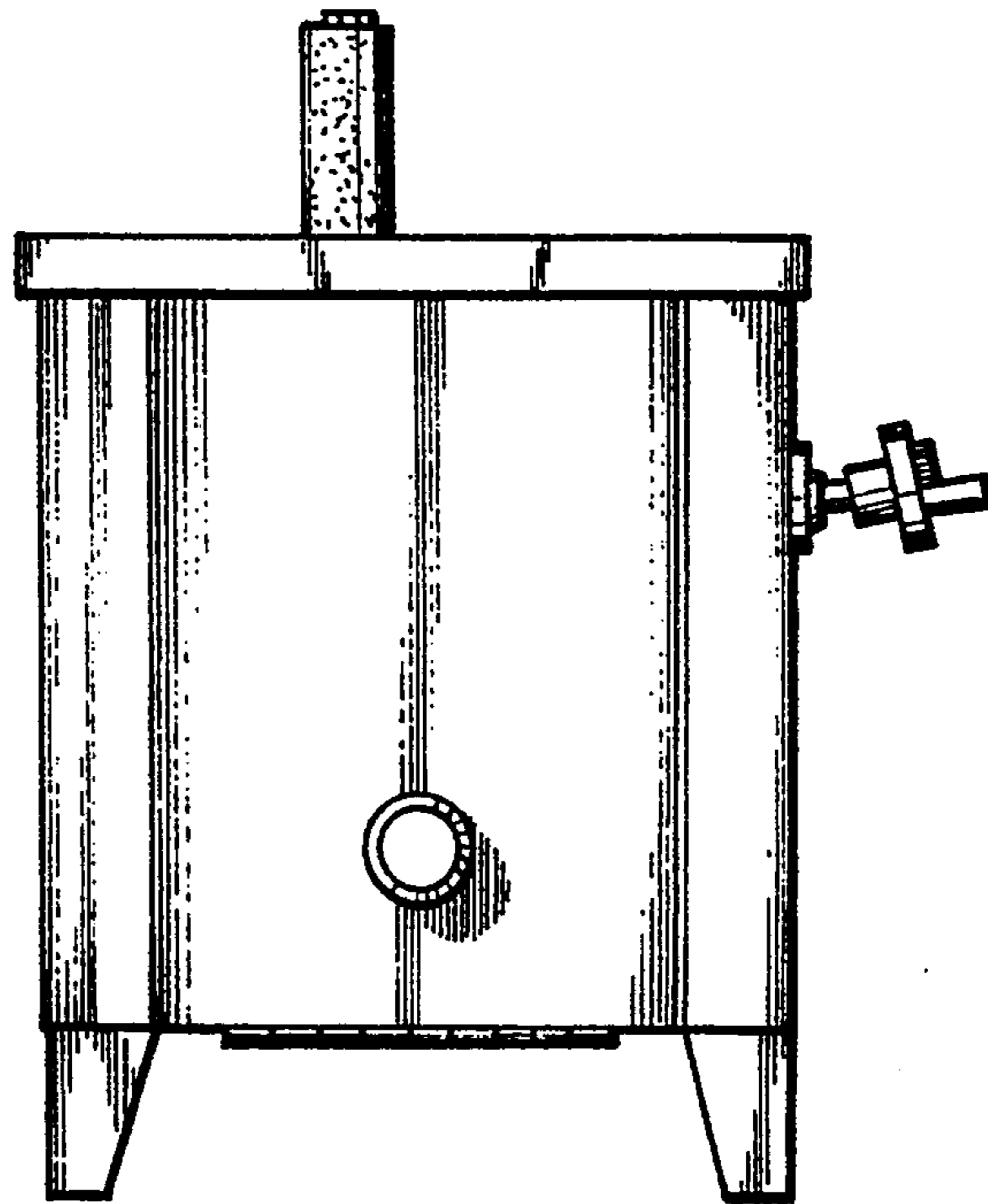


Fig-6

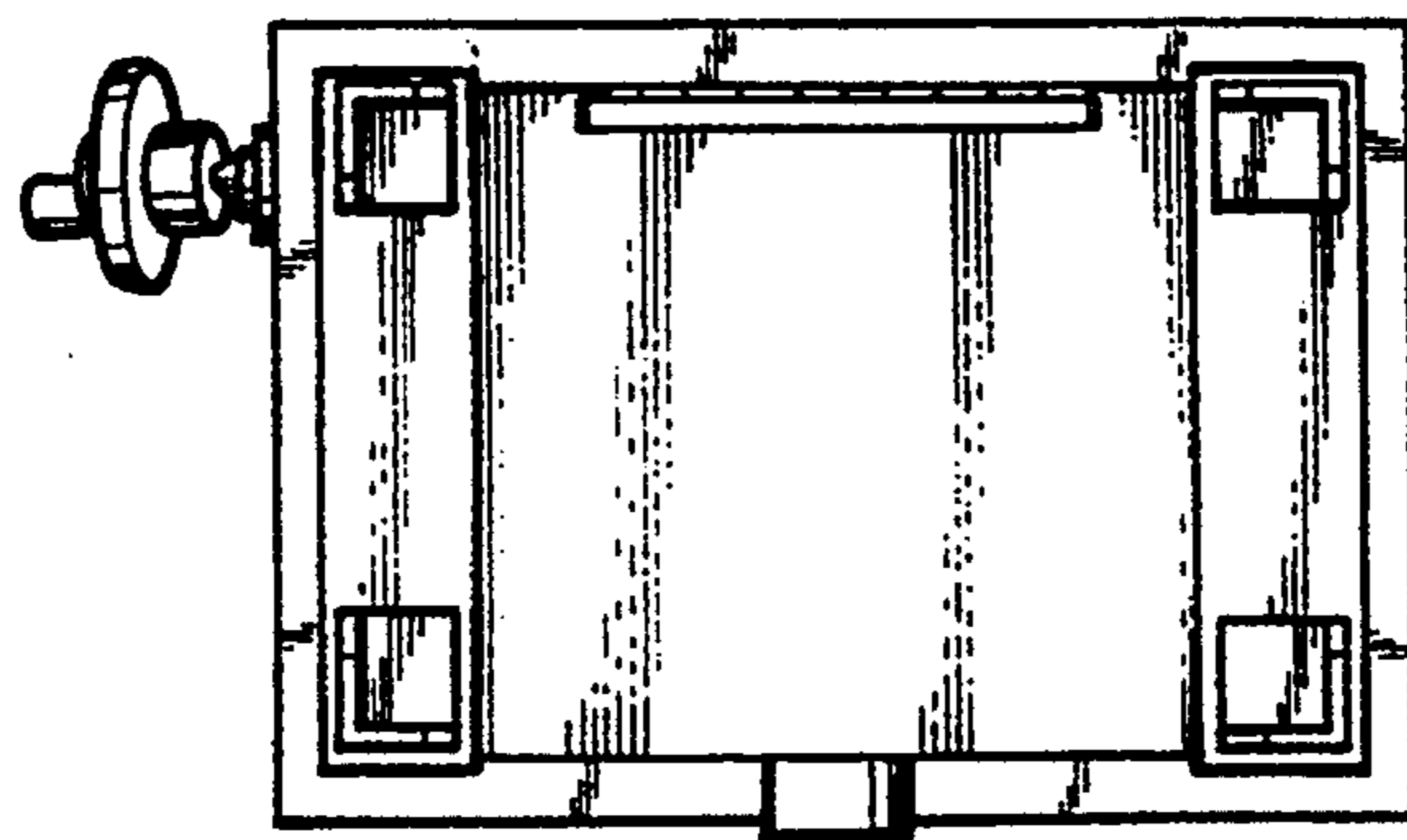


Fig-7