



US00D353148S

United States Patent [19]

[11] Patent Number: Des. 353,148

Kato et al.

[45] Date of Patent: ** Dec. 6, 1994

[54] SEWING MACHINE

838861 2/1992 Japan .
839448 2/1992 Japan .

[75] Inventors: Shigemasa Kato, Zama; Sanae Takada, Kawasaki, both of Japan

OTHER PUBLICATIONS

[73] Assignee: Juki Corporation, Tokyo, Japan

Evans Catalog 1989-90 p. 223 Brother Lightweight Sewing Machine #1.

[**] Term: 14 Years

Primary Examiner—Bernard Ansher
Assistant Examiner—Sandra Morris
Attorney, Agent, or Firm—Morgan & Finnegan

[21] Appl. No.: 943,456

[22] Filed: Sep. 10, 1992

[57] CLAIM

[30] Foreign Application Priority Data

The ornamental design for a sewing machine, as shown and described.

Apr. 1, 1992 [JP] Japan 4-9698

[52] U.S. Cl. D15/69

DESCRIPTION

[58] Field of Search 112/217.1-217.4,
112/258-262.1; D15/66-76

FIG. 1 is a top plan view of a sewing machine embodying our design;

[56] References Cited

U.S. PATENT DOCUMENTS

FIG. 2 is a left side elevational view of a sewing machine embodying our design;

- D. 215,368 9/1969 Zanuso et al. D15/69
- D. 243,686 3/1977 Ito D15/68
- D. 255,360 6/1980 Sibuya et al. D15/68
- D. 289,877 5/1987 Yoneda D15/69
- D. 292,929 11/1987 Yoneda D15/70
- D. 296,558 7/1988 Yoneda D15/69
- 2,561,643 7/1951 Adler 112/259

FIG. 3 is a bottom plan view of a sewing machine embodying our design;

FOREIGN PATENT DOCUMENTS

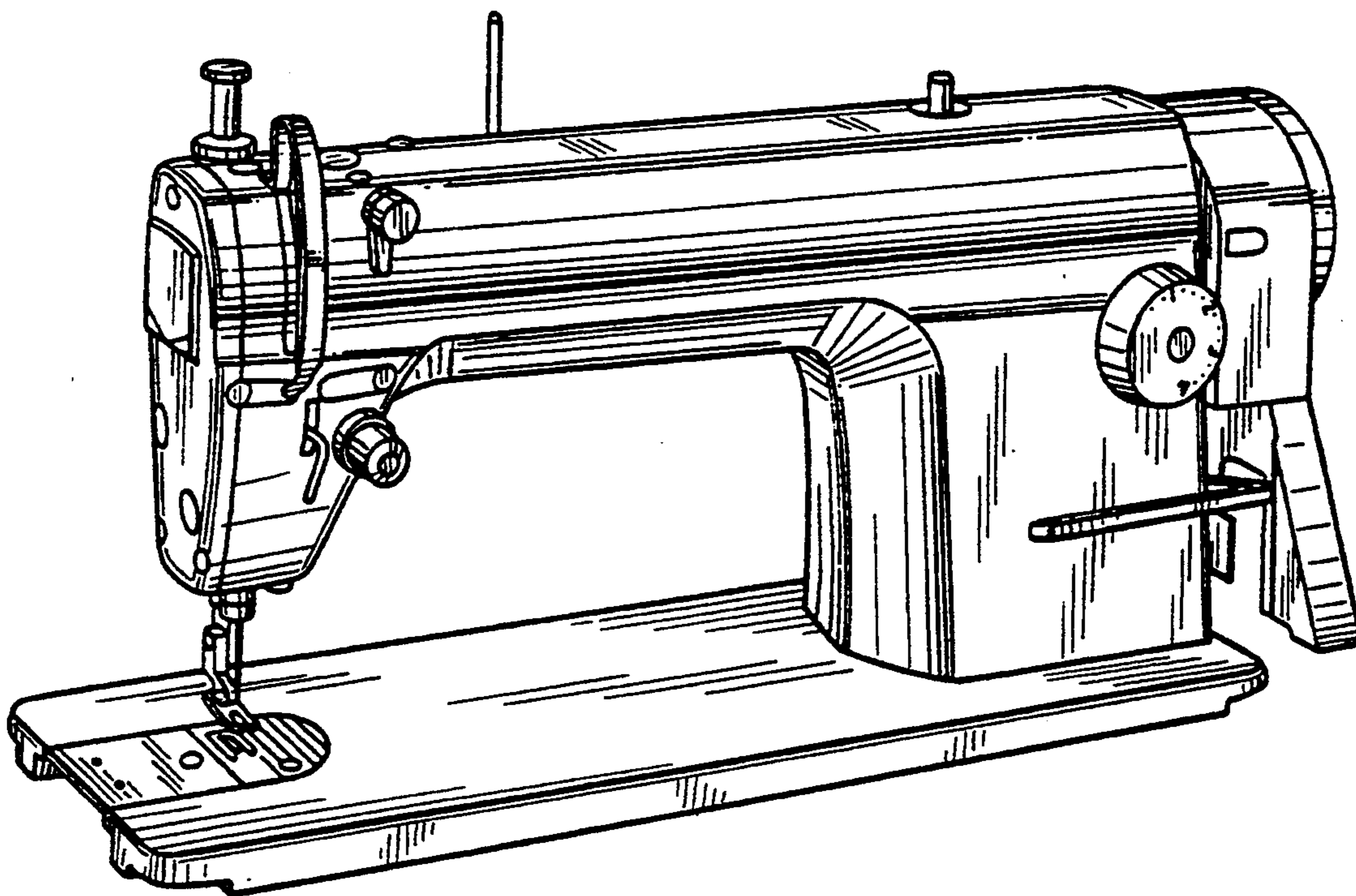
710874 5/1987 Japan .

FIG. 4 is a front elevational view of a sewing machine embodying our design;

FIG. 5 is a rear elevational view of a sewing machine embodying our design;

FIG. 6 is a right side elevational view of a sewing machine embodying our design; and,

FIG. 7 is a left isometric view of a sewing machine embodying our design.



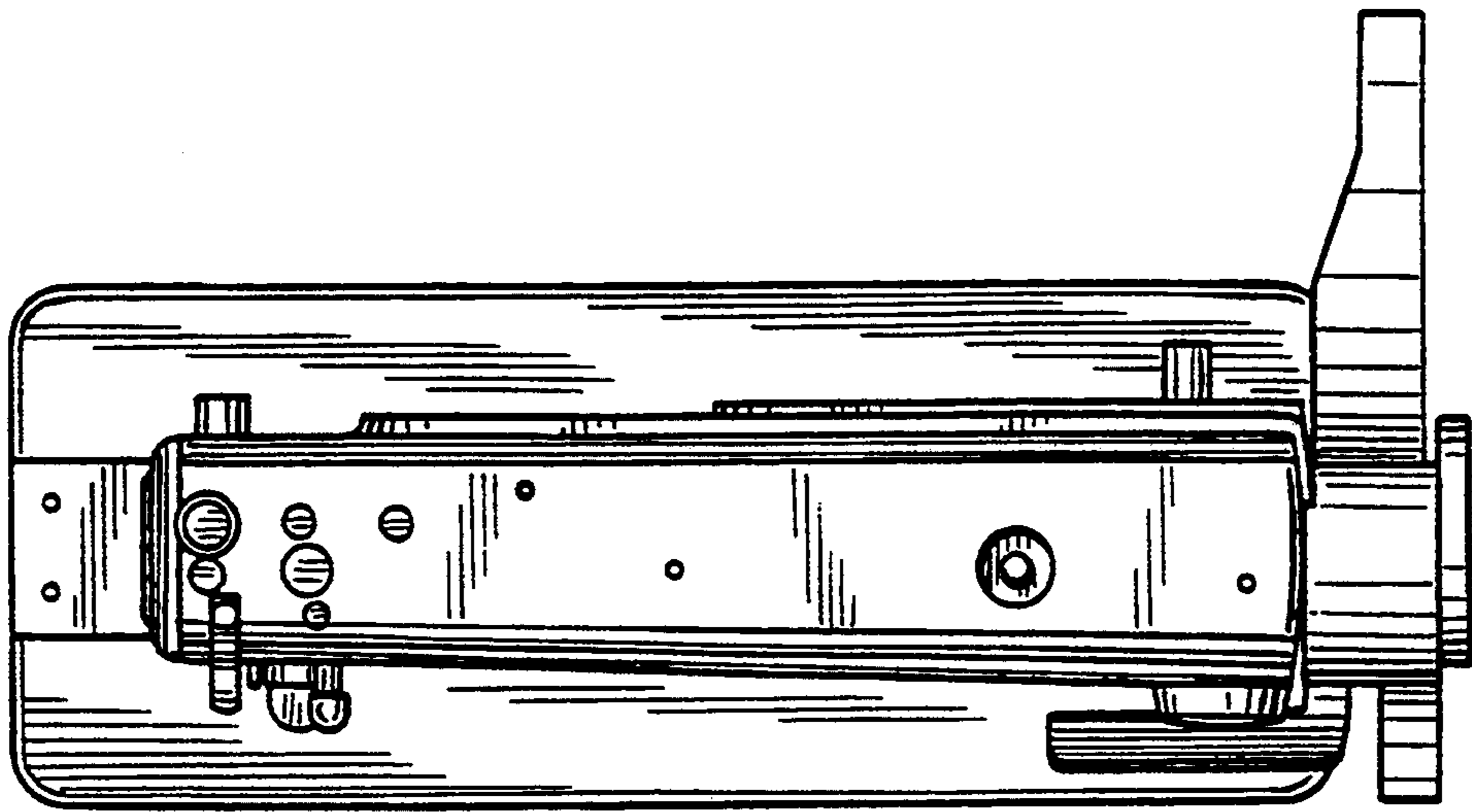


FIG. 1

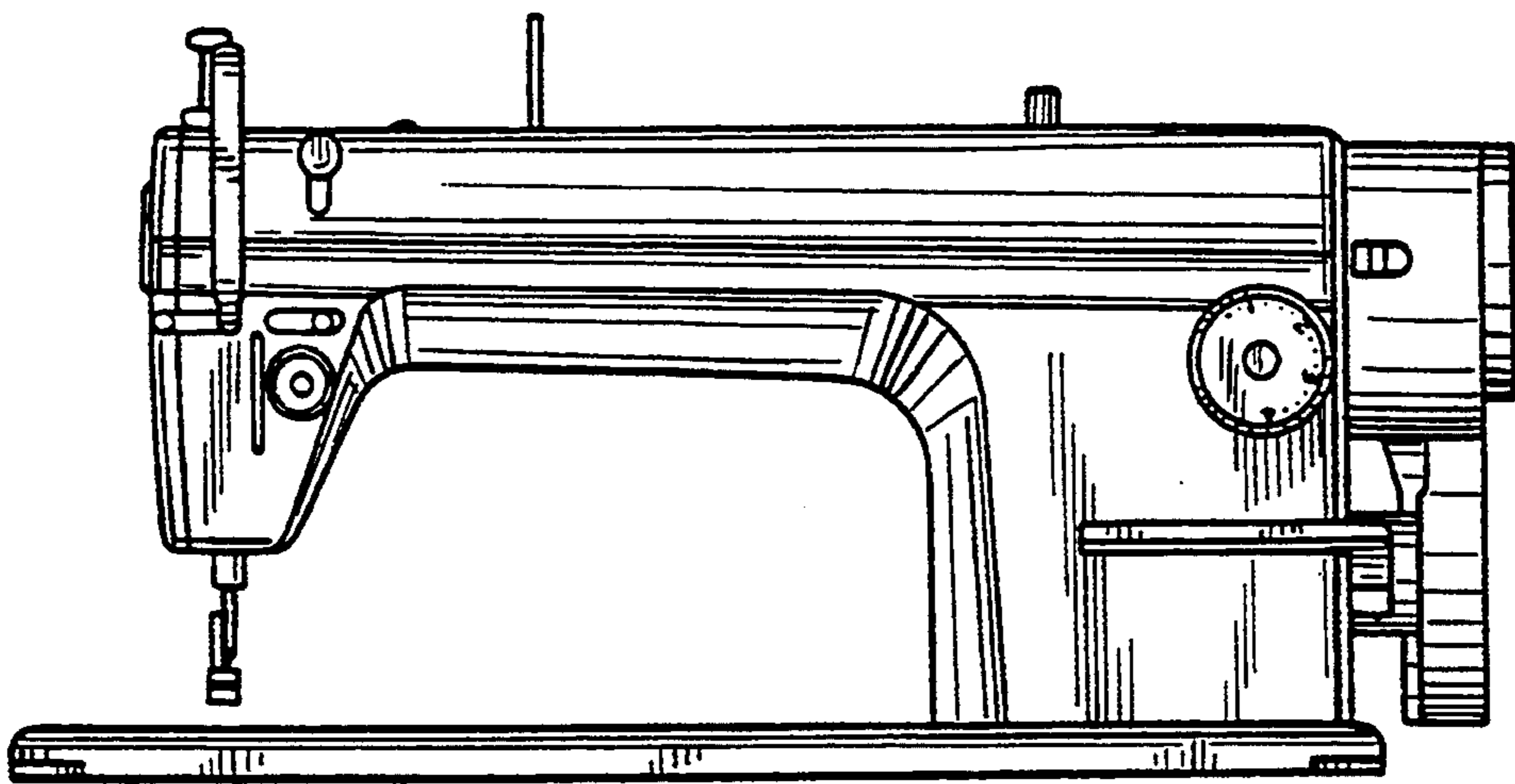


FIG. 2

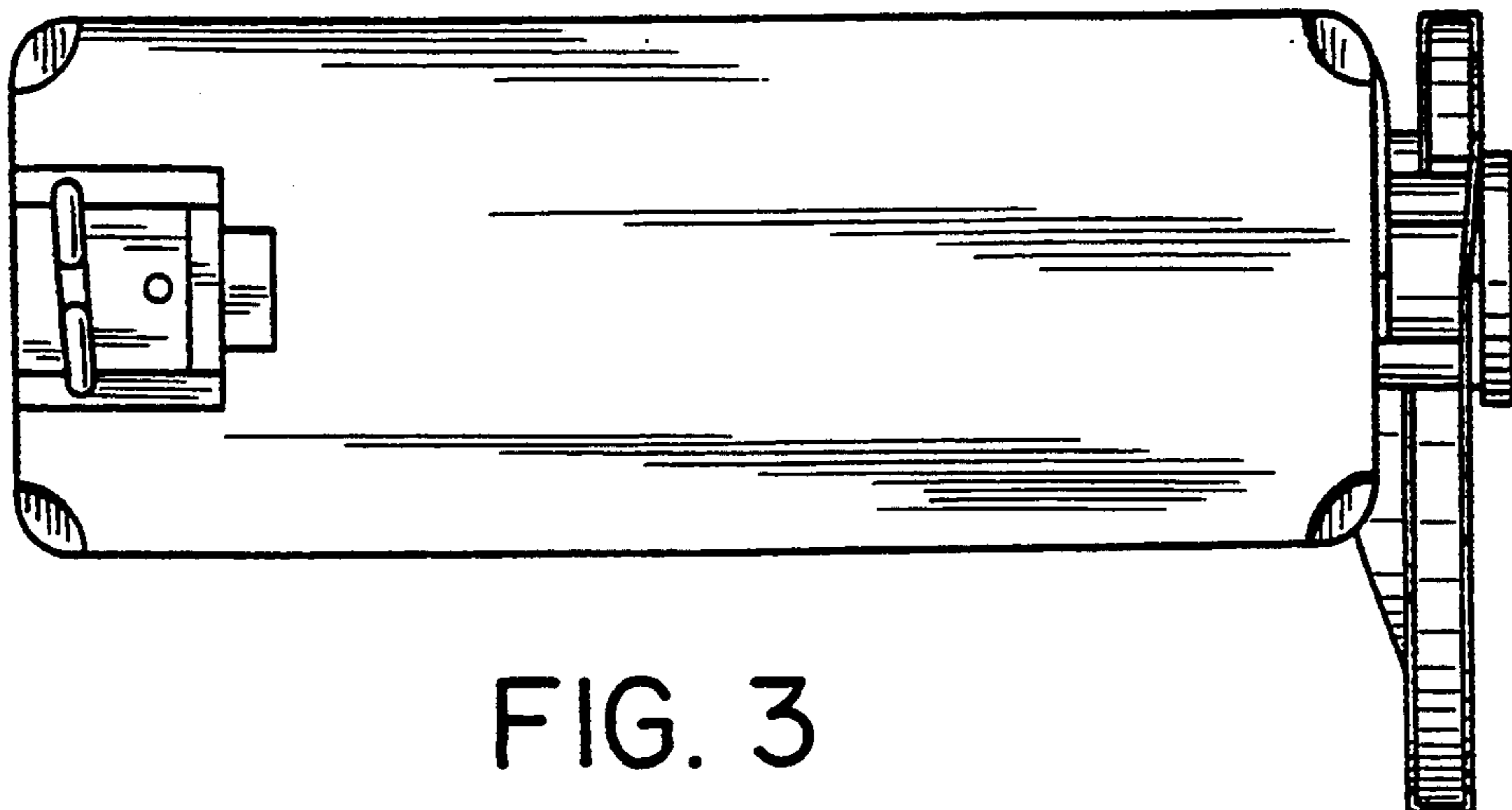


FIG. 3

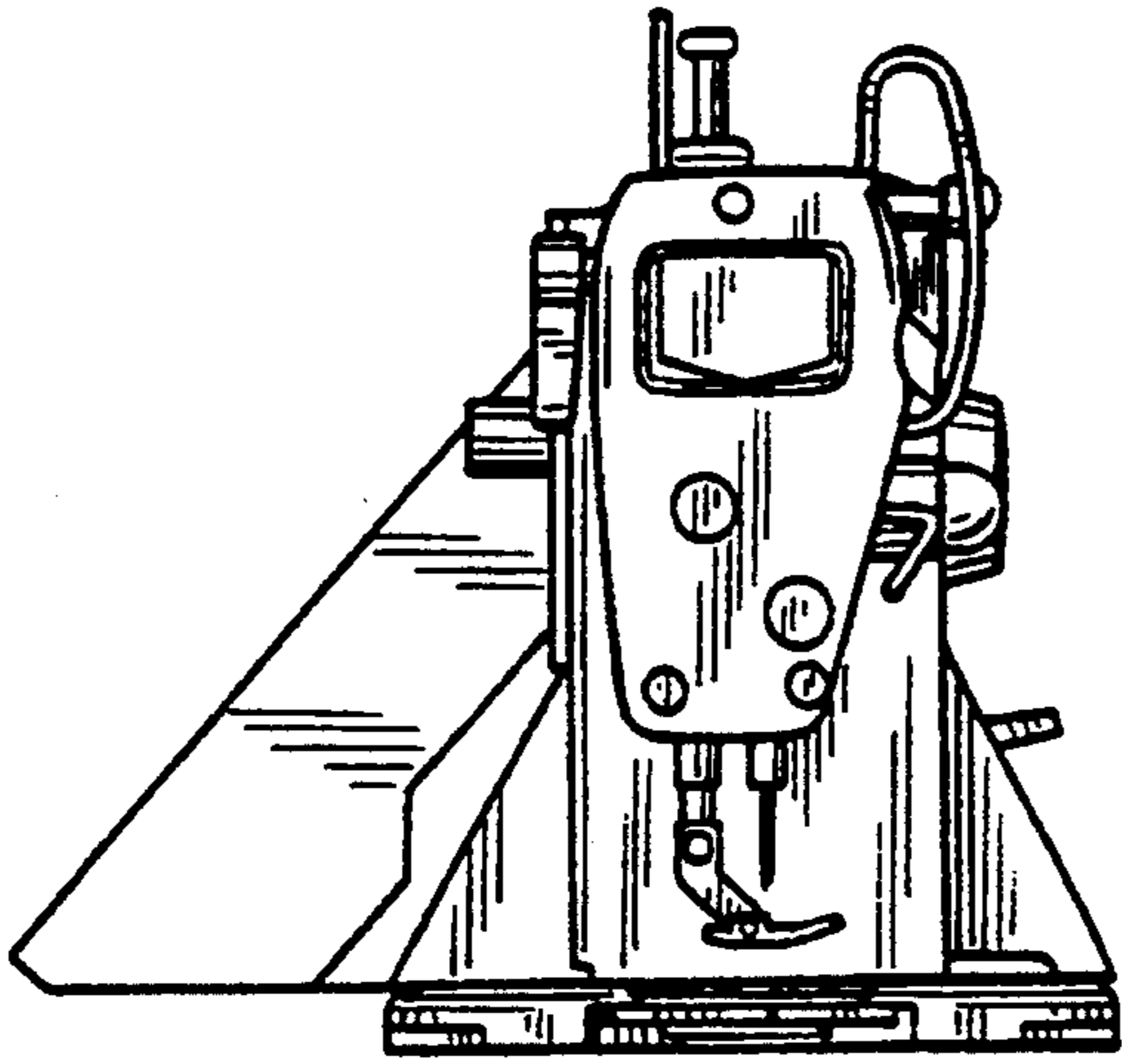


FIG. 4

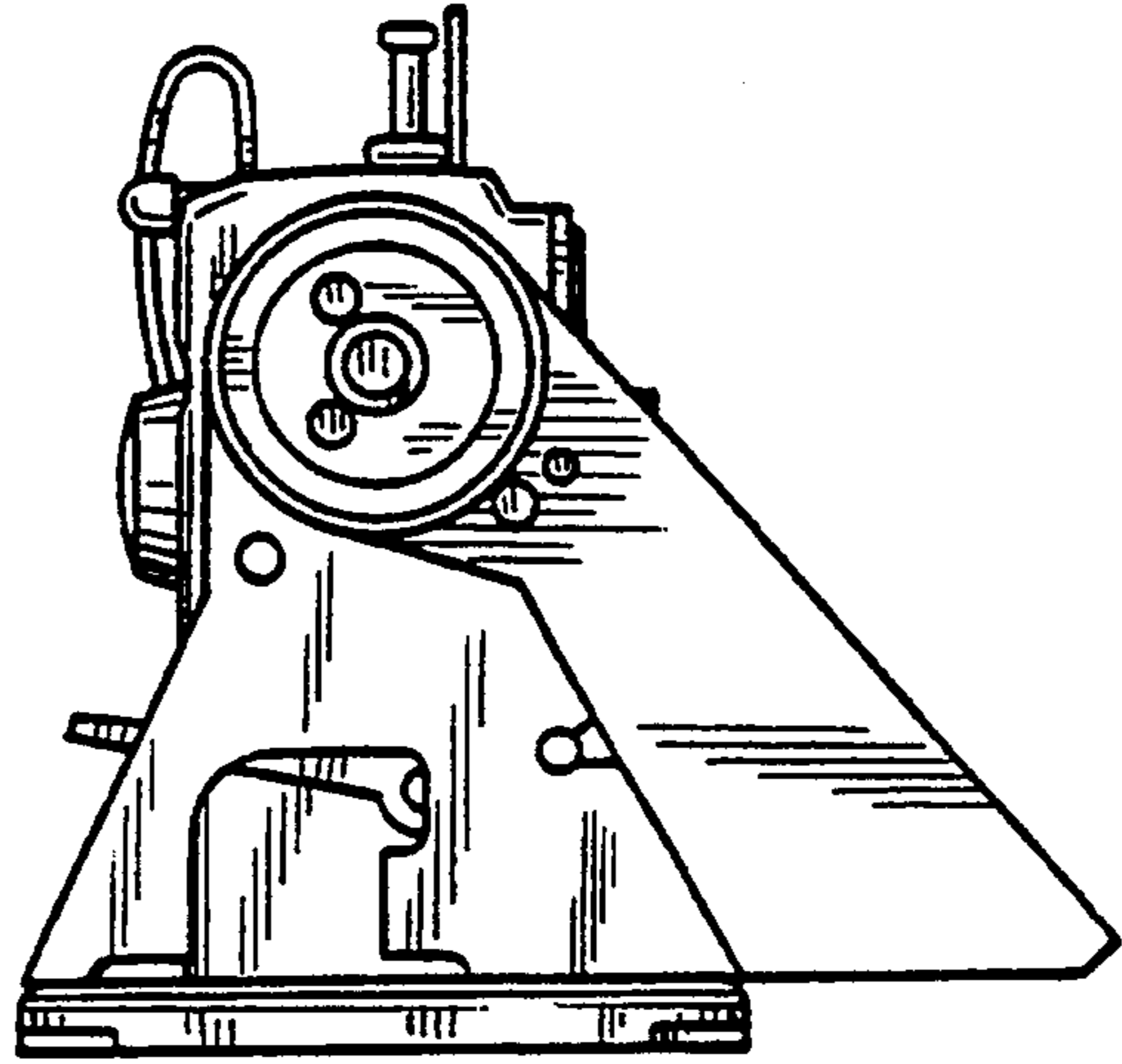


FIG. 5

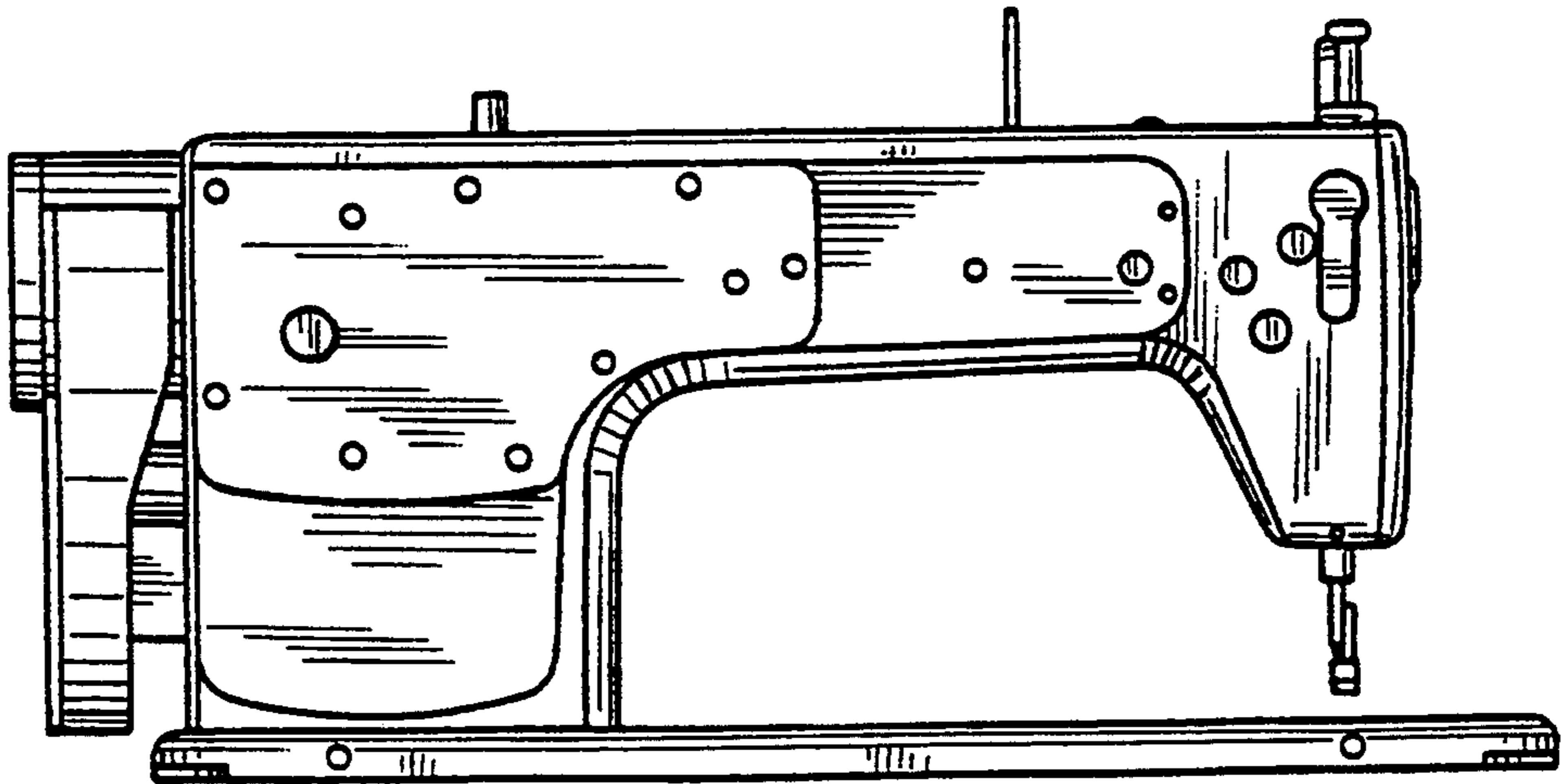


FIG. 6

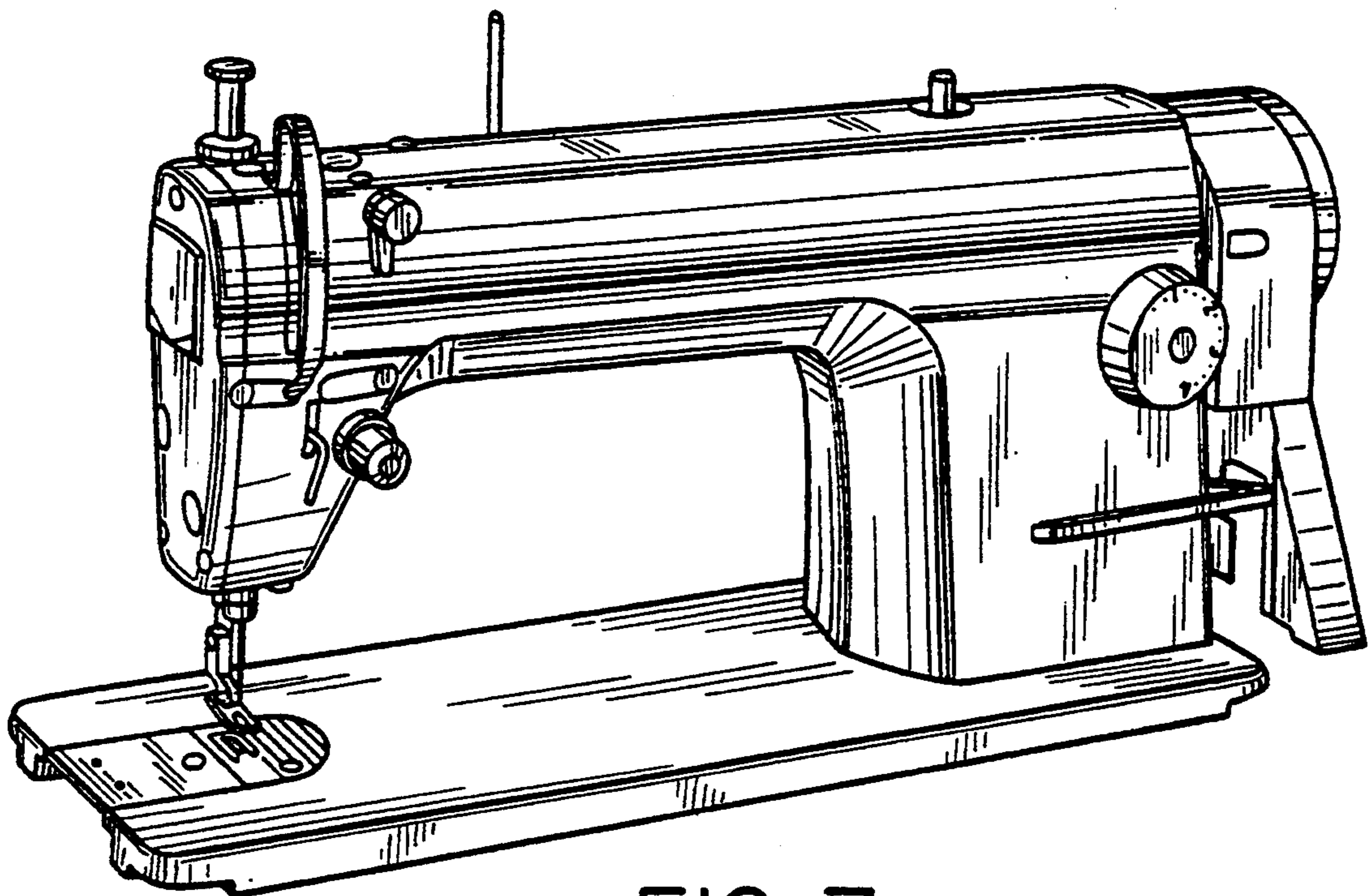


FIG. 7