



US00D353147S

United States Patent [19]

[11] Patent Number: **Des. 353,147**

Bergman

[45] Date of Patent: **** Dec. 6, 1994**

- [54] **RADIAL ARM VALVE LINKAGE**
- [76] Inventor: **John Bergman**, R.R. 1, Box 99,
Seneca, Kans. 66538
- [**] Term: **14 Years**
- [21] Appl. No.: **8,435**
- [22] Filed: **May 17, 1993**
- [52] U.S. Cl. **D15/28**
- [58] Field of Search **D8/88, 303, DIG. 1,**
D8/DIG. 10; 16/111 R, 115; 74/469, 498;
293/DIG. 1; 414/920; D23/233-237, 249;
D15/10, 11, 17, 18, 28

Primary Examiner—A. Hugo Word
Assistant Examiner—Eric Watterson
Attorney, Agent, or Firm—Hovey, Williams, Timmons & Collins

[57] CLAIM

The ornamental design for a radial arm valve linkage, as shown and described.

DESCRIPTION

FIG. 1 is a left side view of a radial arm valve linkage showing my new design;
 FIG. 2 is a right side view thereof;
 FIG. 3 is a rear elevational view thereof;
 FIG. 4 is a front elevational view thereof;
 FIG. 5 is a top plan view thereof; and,
 FIG. 6 is a bottom plan view thereof.

The lever is shown broken away in FIGS. 1, 3 and 4 for convenience of illustration, and the shaft is shown broken away in FIGS. 3, 4, 5, and 6 to show indeterminate length.

- [56] **References Cited**
- U.S. PATENT DOCUMENTS**
- D. 242,168 11/1976 Wilding D15/28
- D. 323,168 1/1992 Ericsson D15/28 X
- 4,541,161 9/1985 Shimoie 74/469 X
- 5,129,775 7/1992 Coats et al. 414/920 X

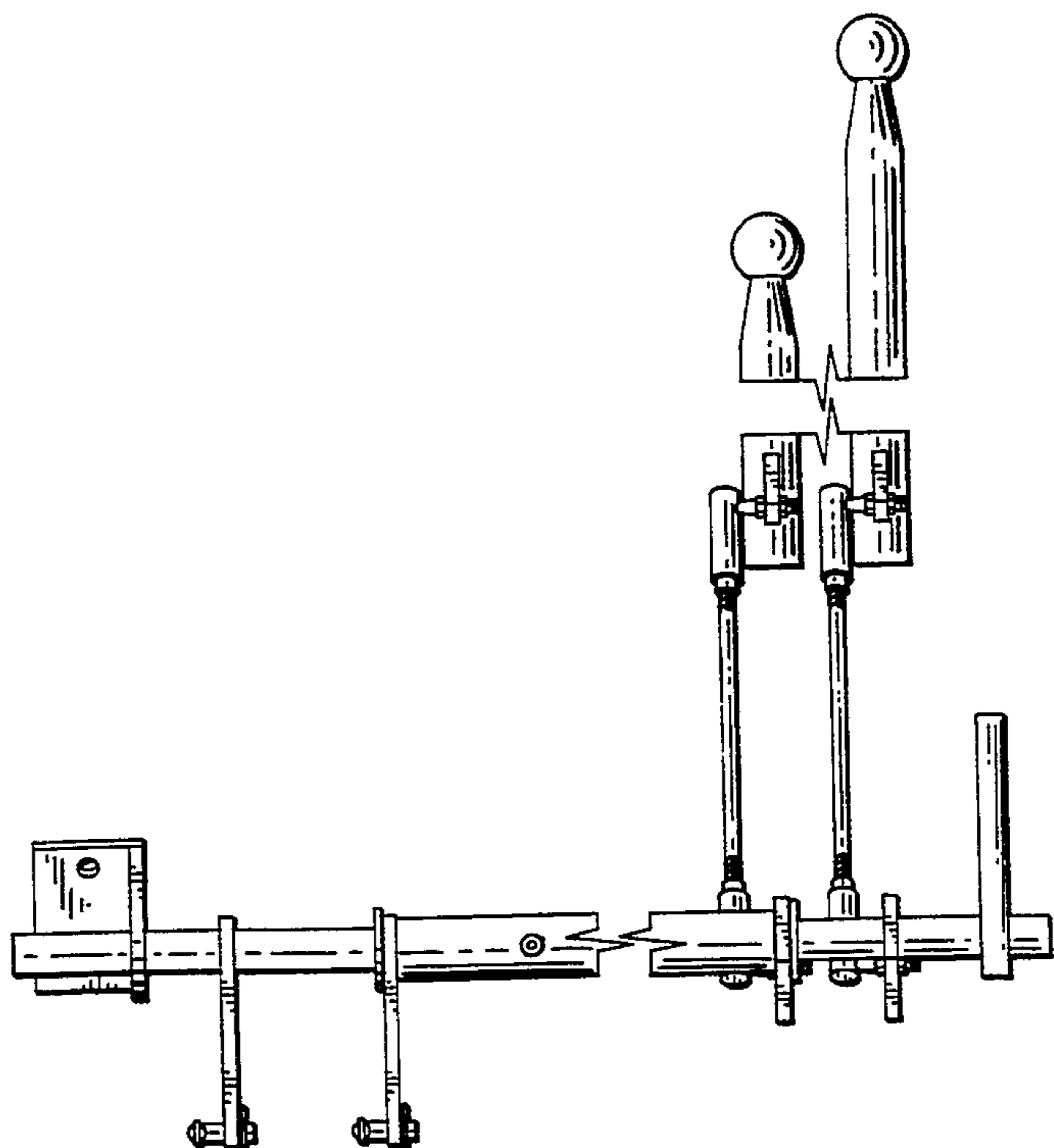
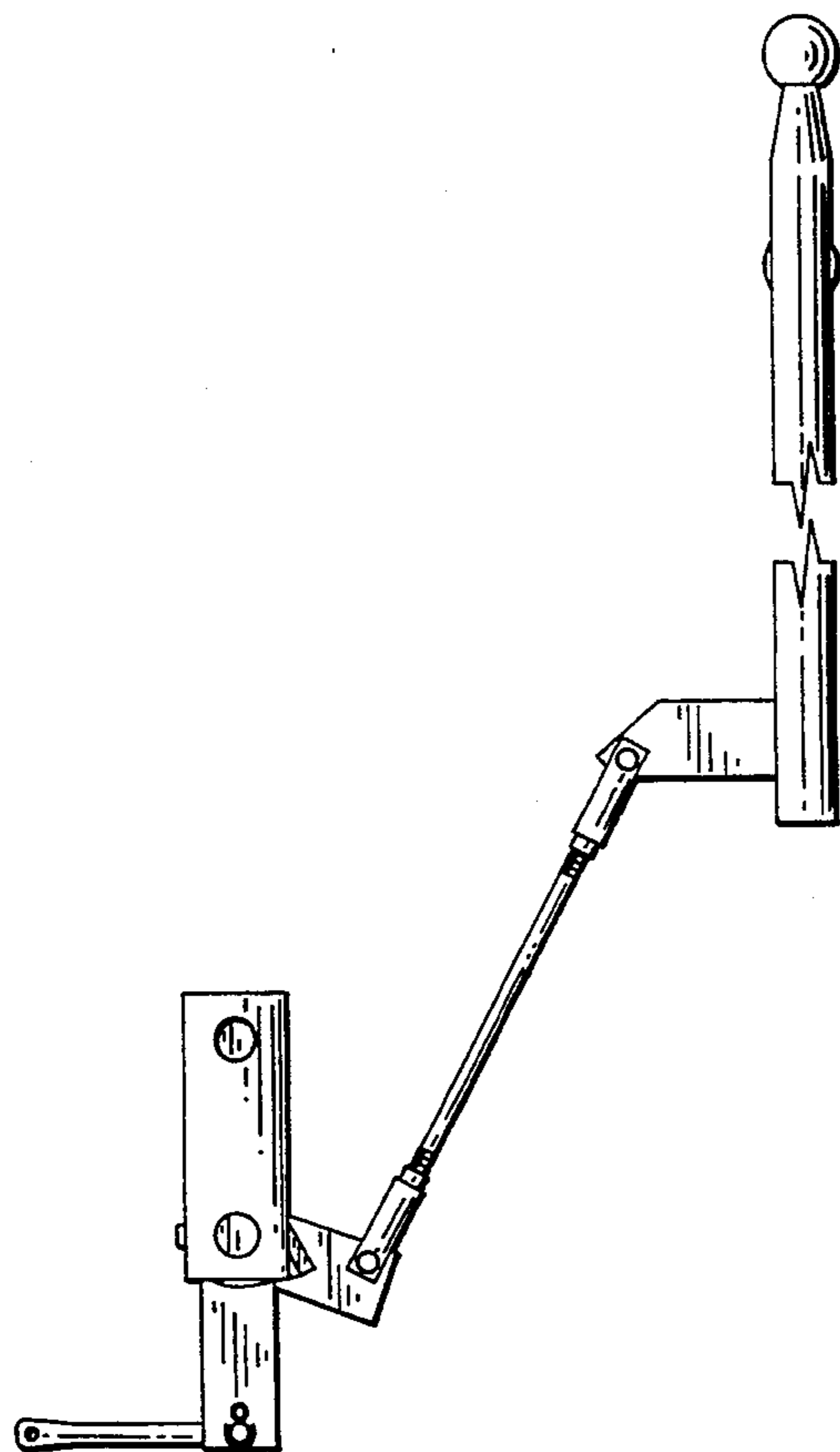


FIG. 1 is a left side view of a radial arm valve linkage showing my new design; FIG. 2 is a right side view thereof; FIG. 3 is a rear elevational view thereof; FIG. 4 is a front elevational view thereof; FIG. 5 is a top plan view thereof; and, FIG. 6 is a bottom plan view thereof. The lever is shown broken away in FIGS. 1, 3 and 4 for convenience of illustration, and the shaft is shown broken away in FIGS. 3, 4, 5, and 6 to show indeterminate length.

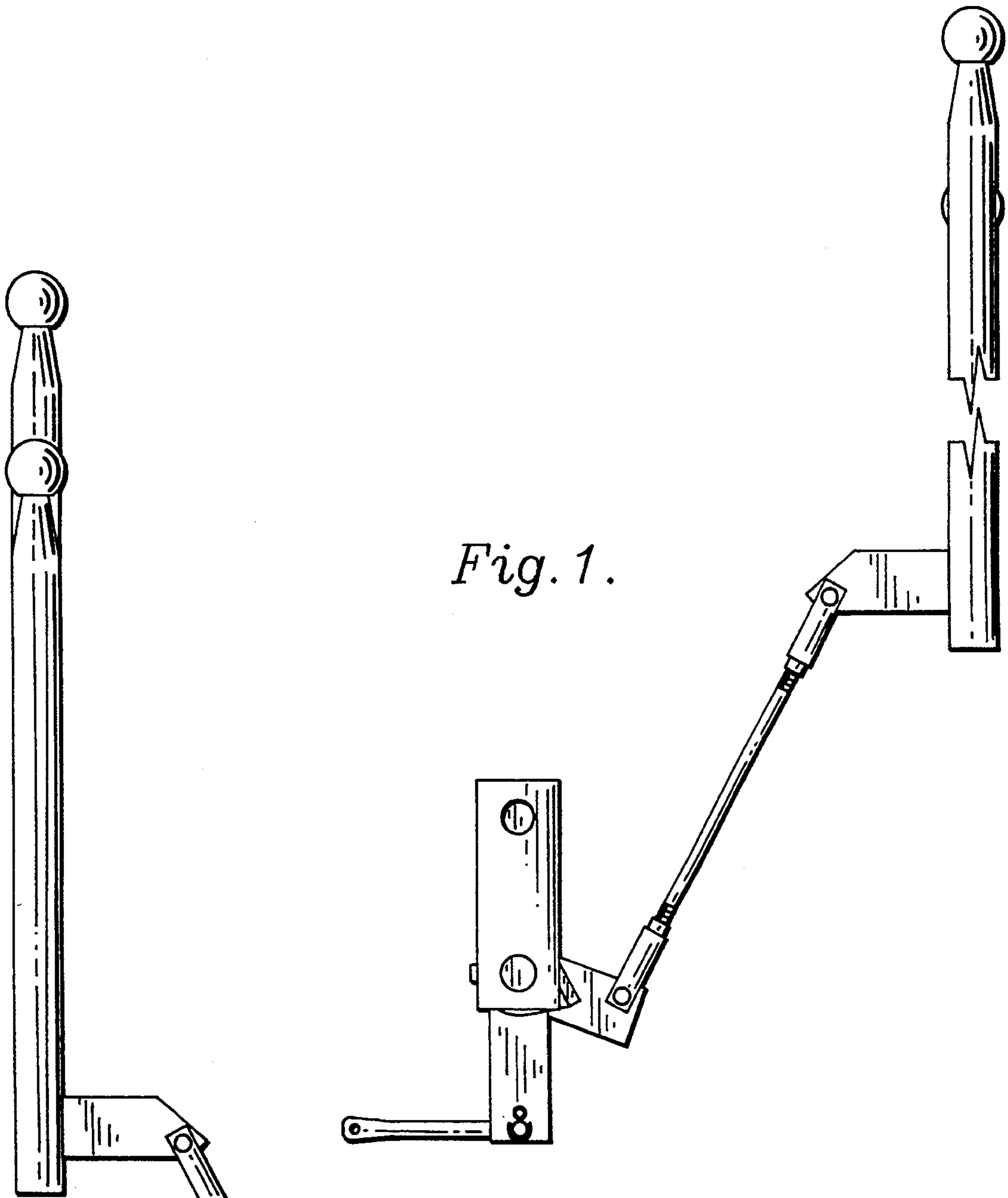


Fig. 1.

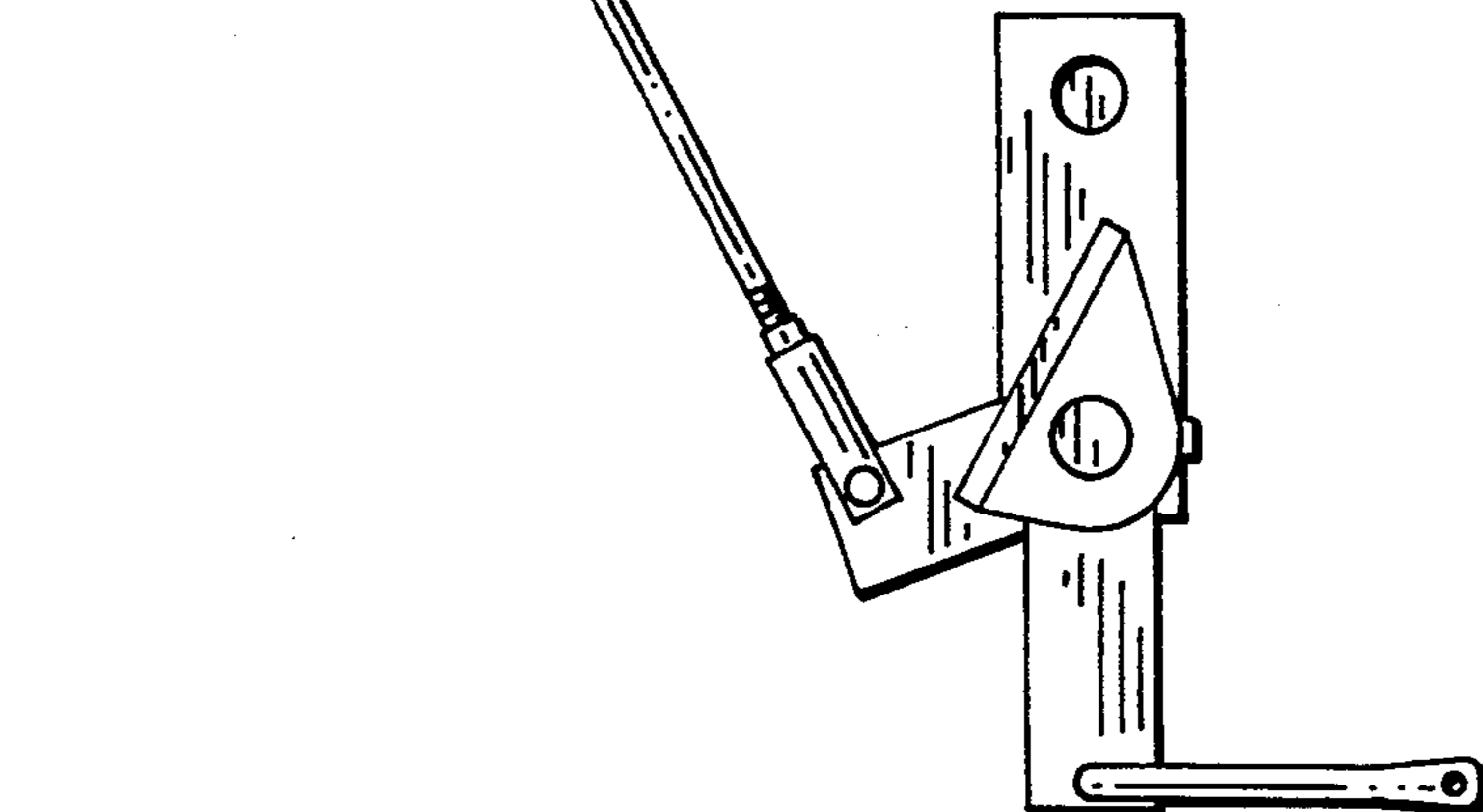


Fig. 2.

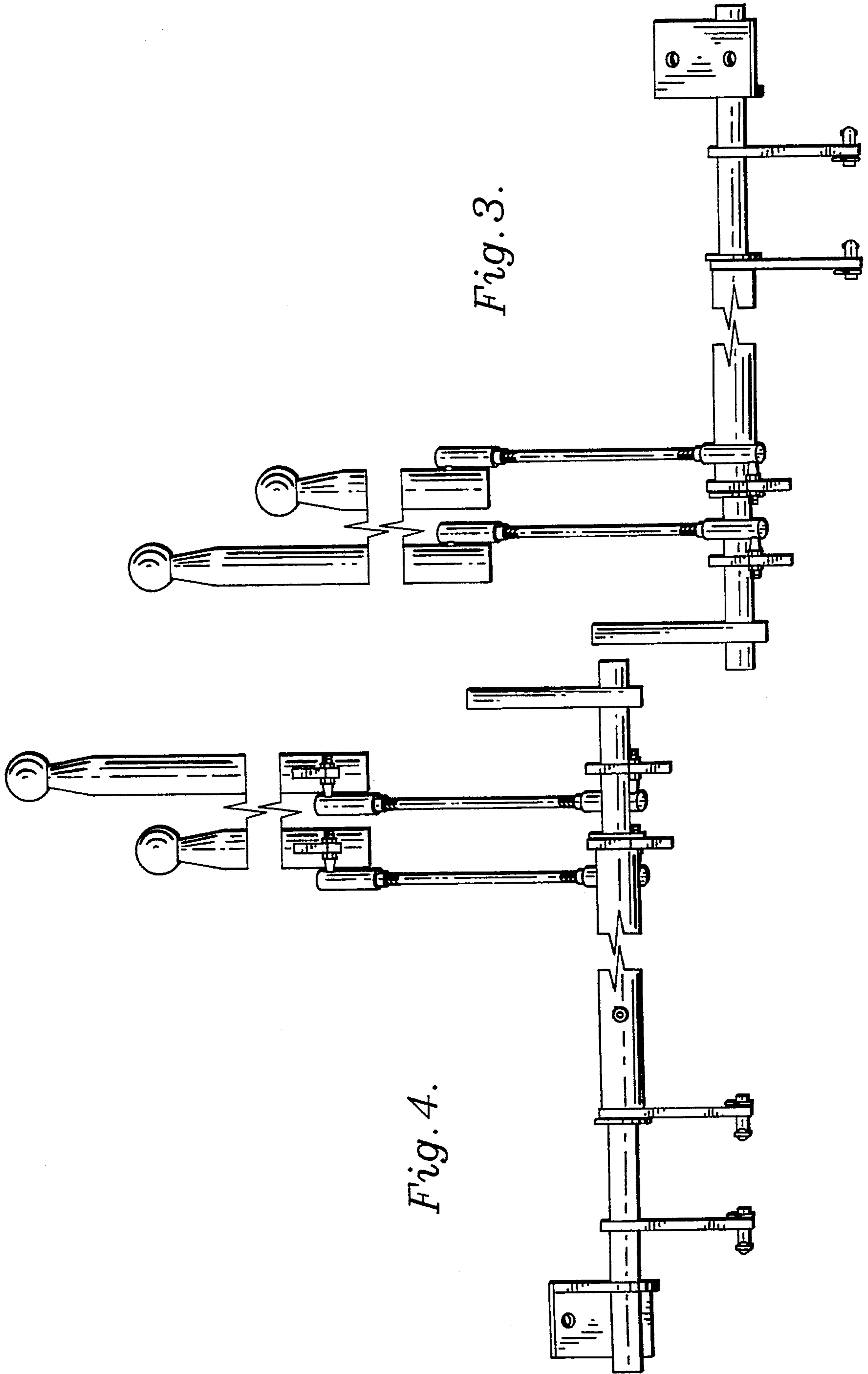


Fig. 3.

Fig. 4.

Fig. 5.

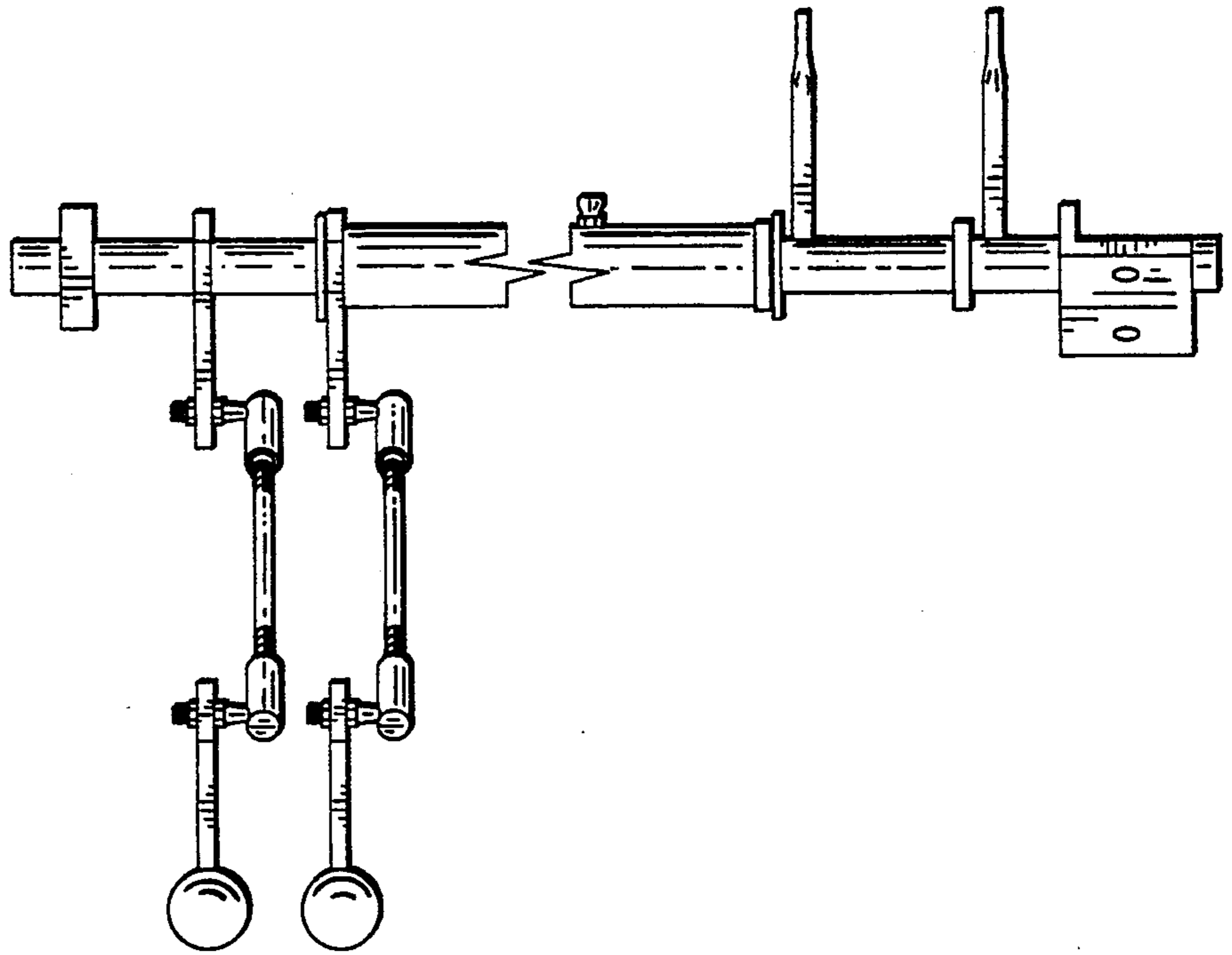


Fig. 6.

