



US00D353146S

United States Patent [19]

[11] Patent Number: **Des. 353,146**

Yaguchi et al.

[45] Date of Patent: **** Dec. 6, 1994**

[54] RIDING MOWER

D. 345,166 4/1994 Kamlukin et al. D15/15
5,138,825 8/1992 Trefz et al. 56/202

[75] Inventors: **Tadahiro Yaguchi, Asaka; Hirohide Shimizu, Tokorozawa; Kazuo Shimizu, Fujimi, all of Japan**

OTHER PUBLICATIONS

Yanmar Lawn & Garden Tractor, cover.
John Deere Lawn & Garden Tractors, p. 6, No., 285.

[73] Assignee: **Honda Giken Kogyo Kabushiki Kaisha, Tokyo, Japan**

Primary Examiner—Bernard Ansher
Assistant Examiner—Sandra Morris
Attorney, Agent, or Firm—Lyon & Lyon

[**] Term: **14 Years**

[57] CLAIM

[21] Appl. No.: **7,236**

The ornamental design for a riding mower, as shown and described.

[22] Filed: **Apr. 16, 1993**

[52] U.S. Cl. **D15/15**

[58] Field of Search 56/13.4, 16.7, 175,
56/202, 255, 294, 320.1, 320.2; 180/89.1, 89.2,
900; D15/10, 14-18, 22-26

DESCRIPTION

FIG. 1 is a perspective view of a riding mower showing our new design;

FIG. 2 is a front elevation view thereof;

FIG. 3 is a rear elevation view thereof;

FIG. 4 is a top plan view thereof;

FIG. 5 is a bottom plan view thereof;

FIG. 6 is a right side elevation view thereof; and,

FIG. 7 is a left side elevation view thereof.

[56] References Cited

U.S. PATENT DOCUMENTS

D. 245,604 8/1977 Cognata et al. D15/23
D. 248,397 7/1978 Cognata et al. D15/15
D. 310,374 9/1990 Westimayer et al. D15/23

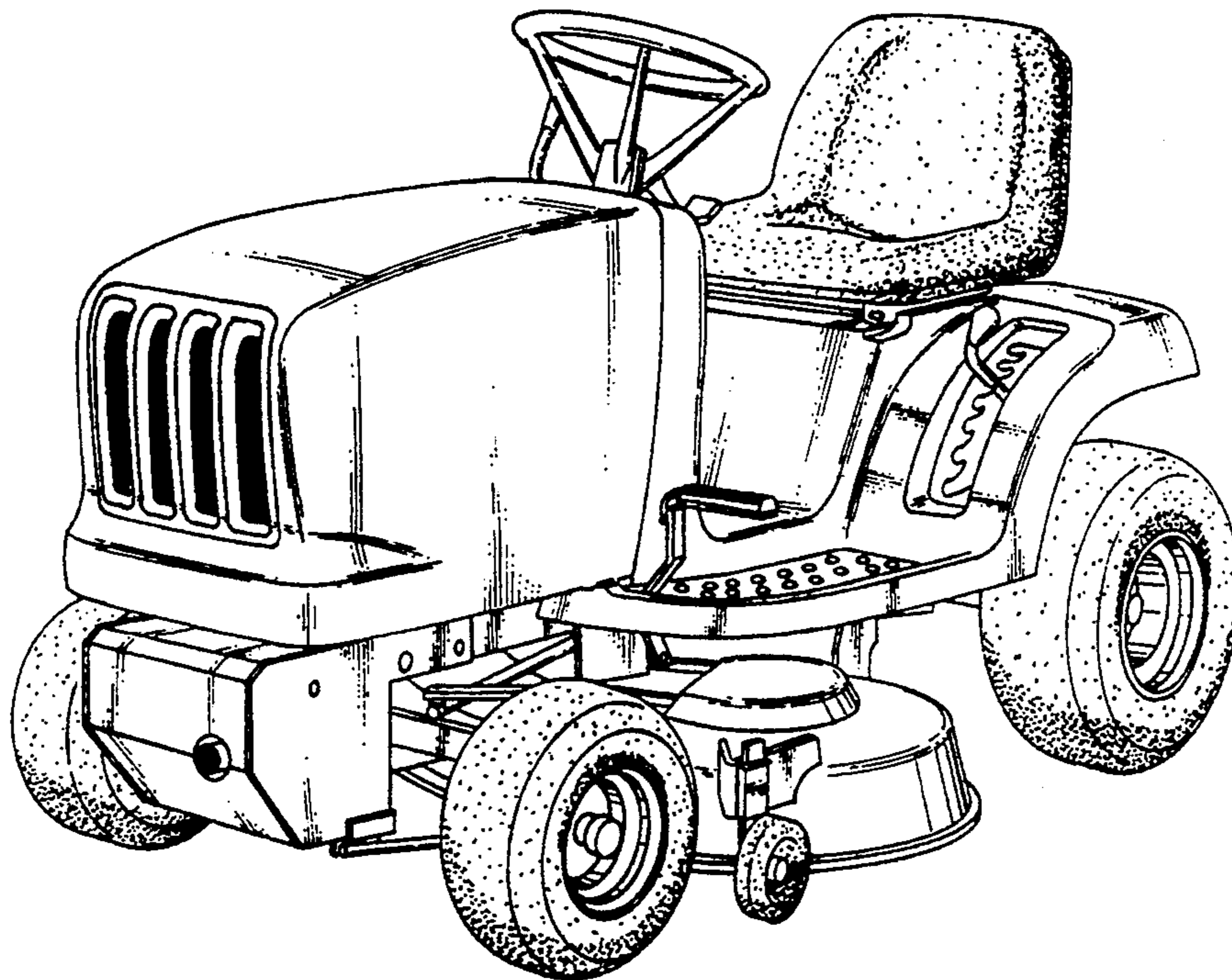


FIG. 1

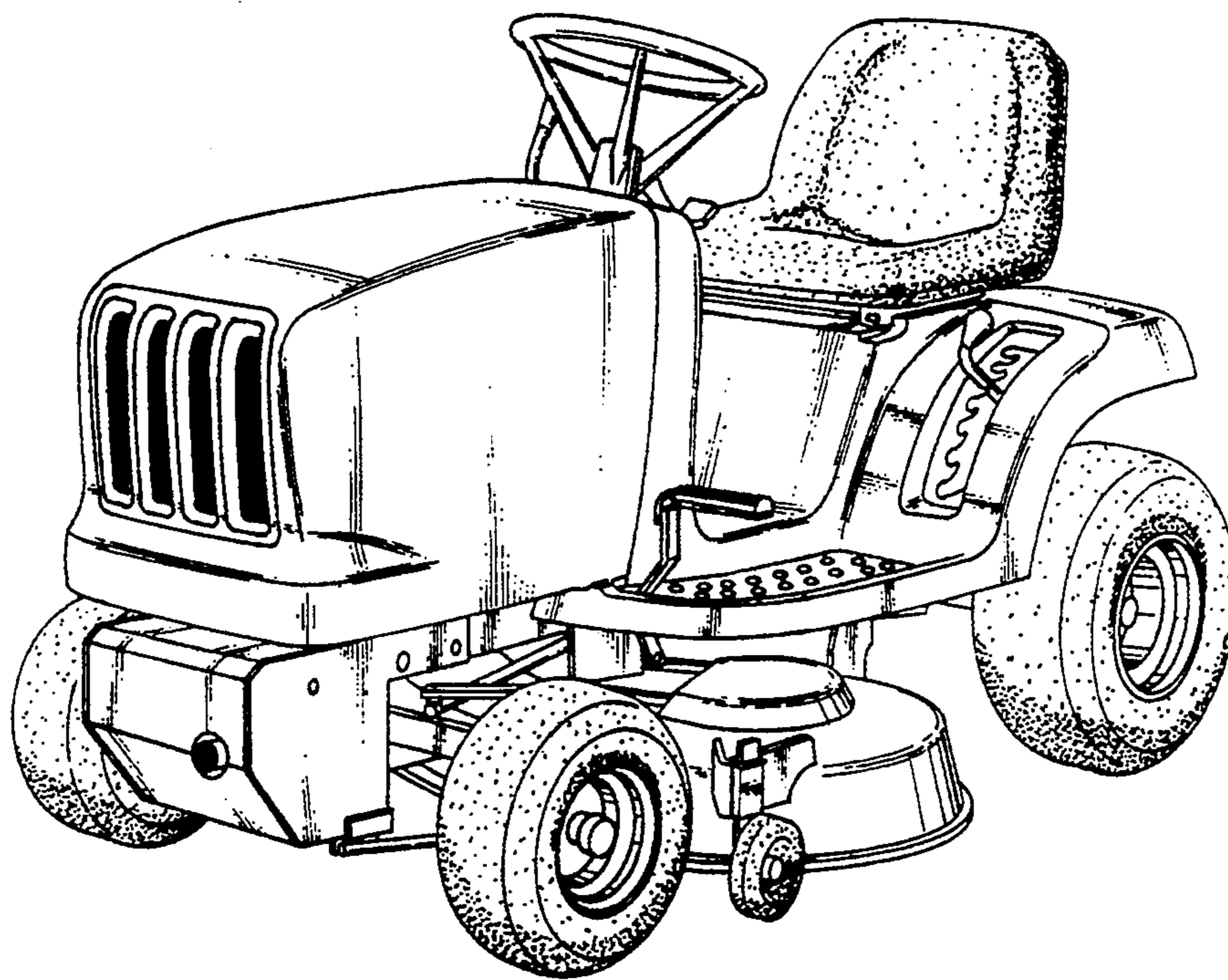


FIG. 2

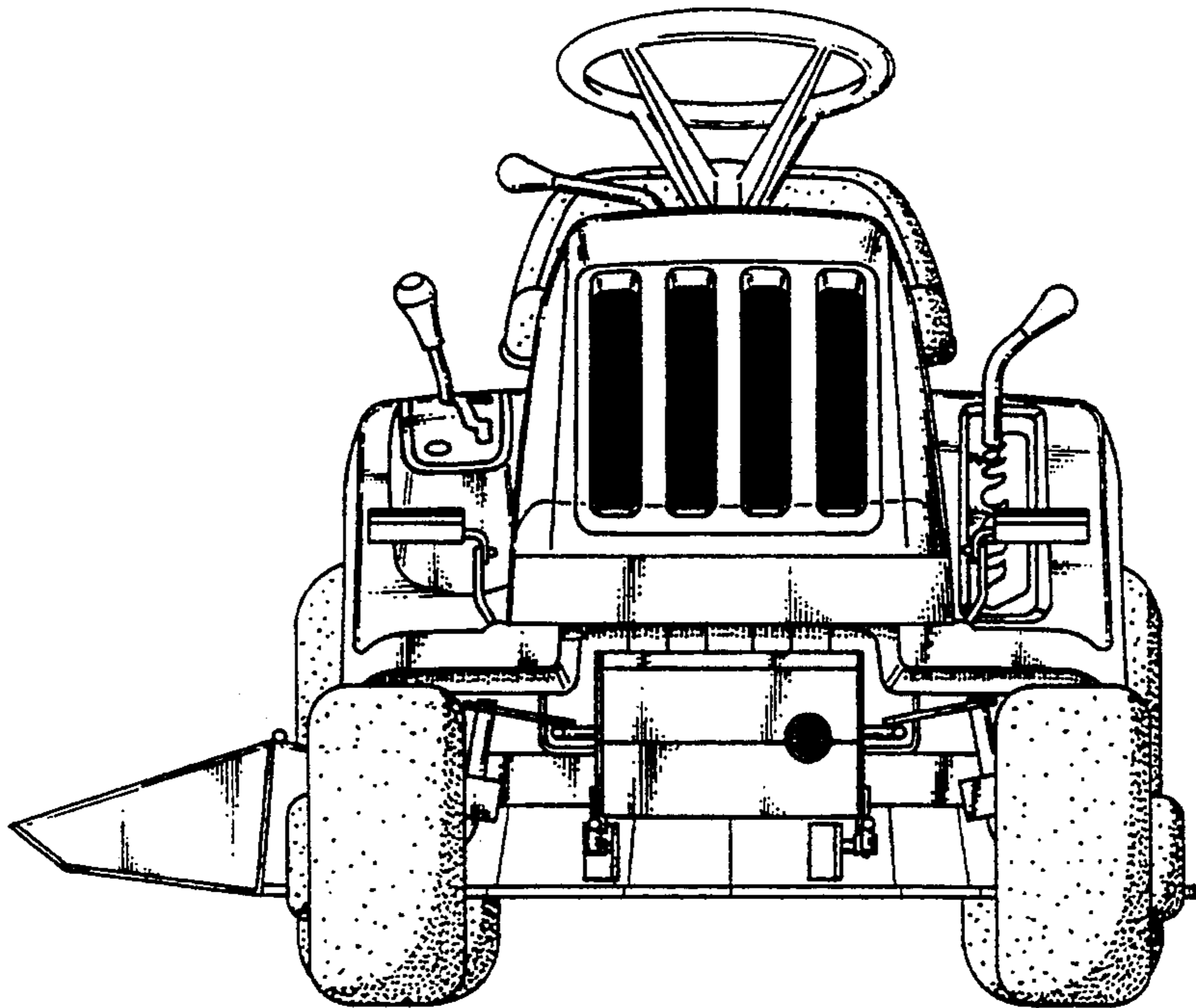


FIG. 3

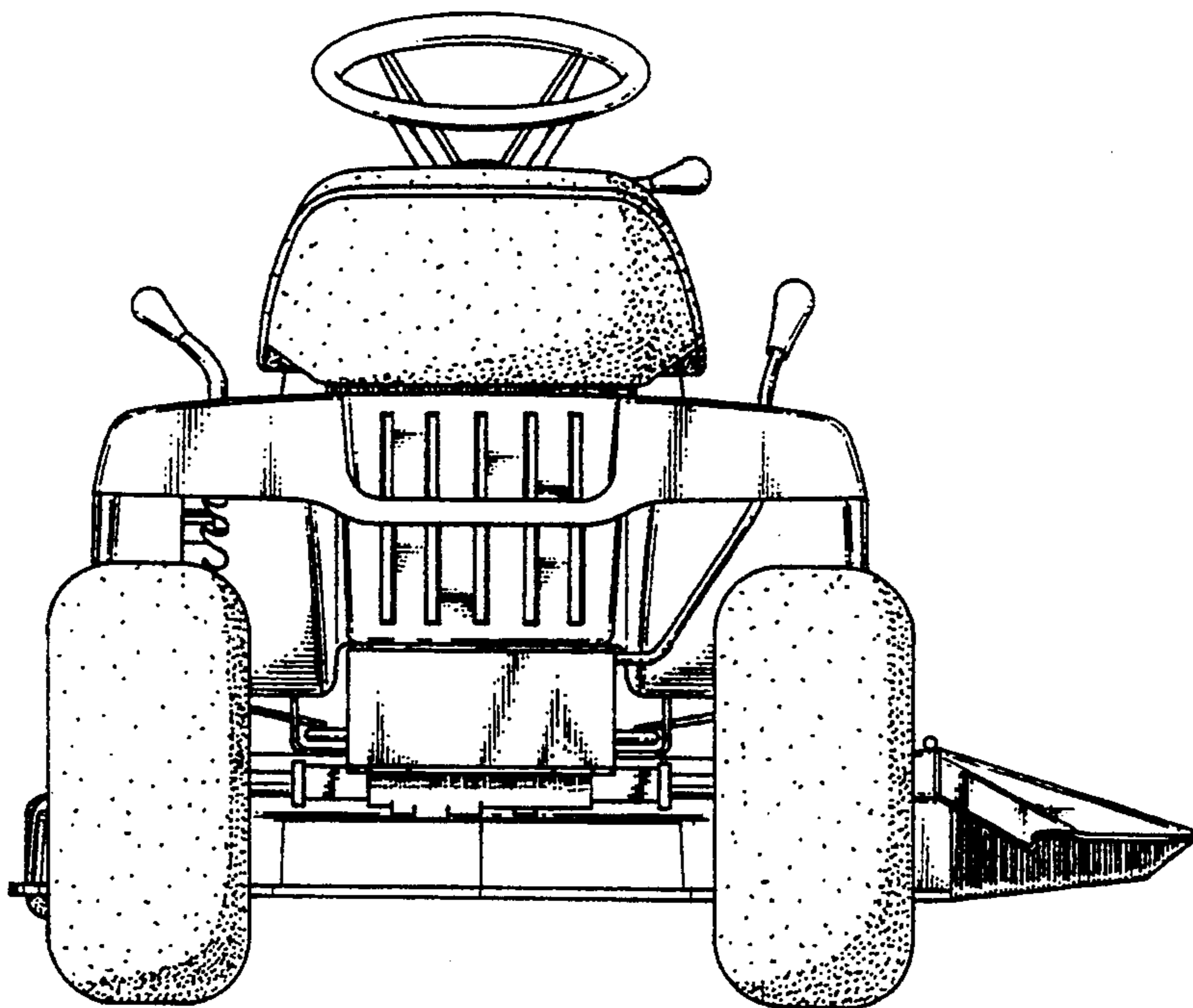


FIG. 4

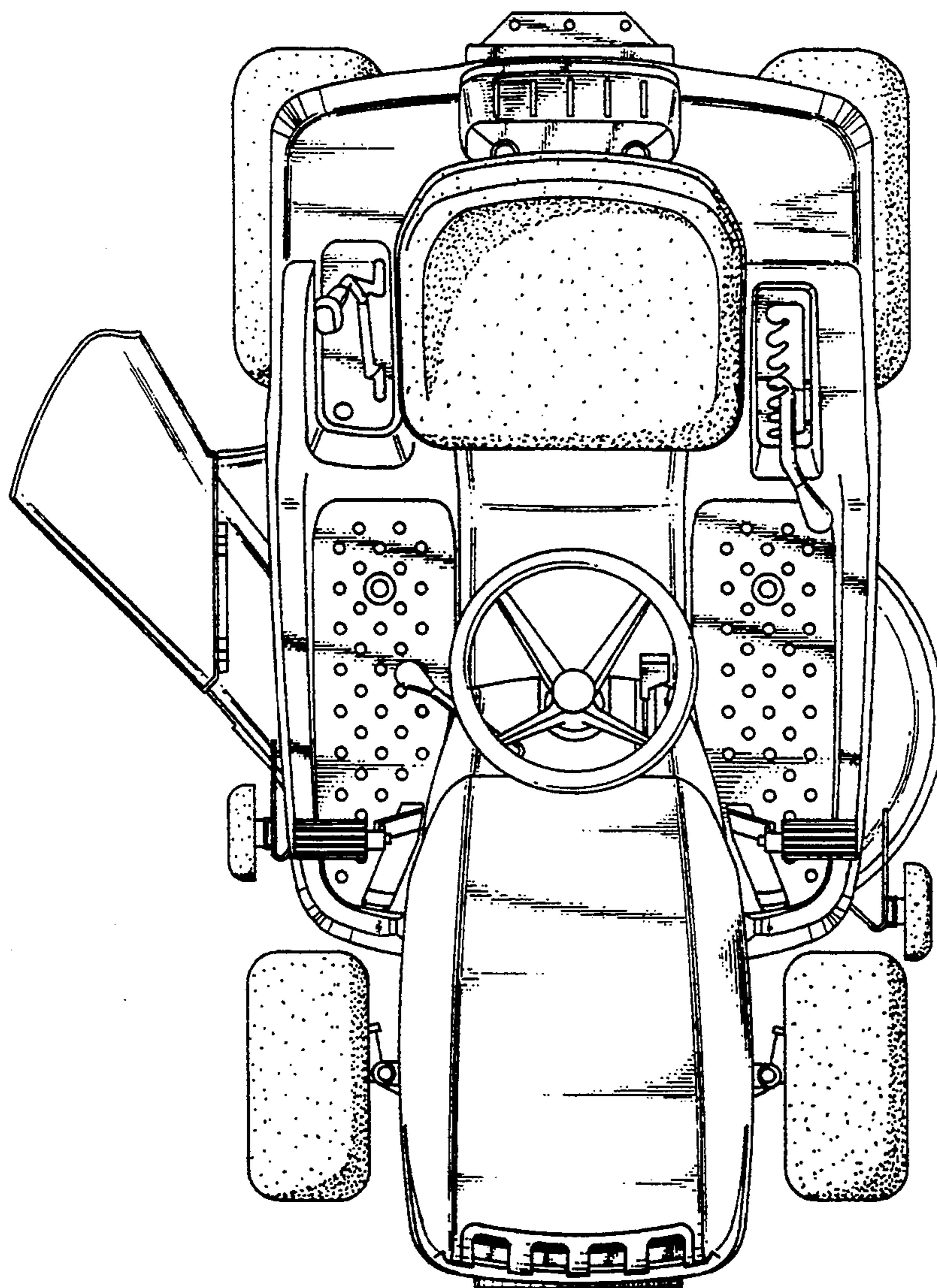


FIG. 5

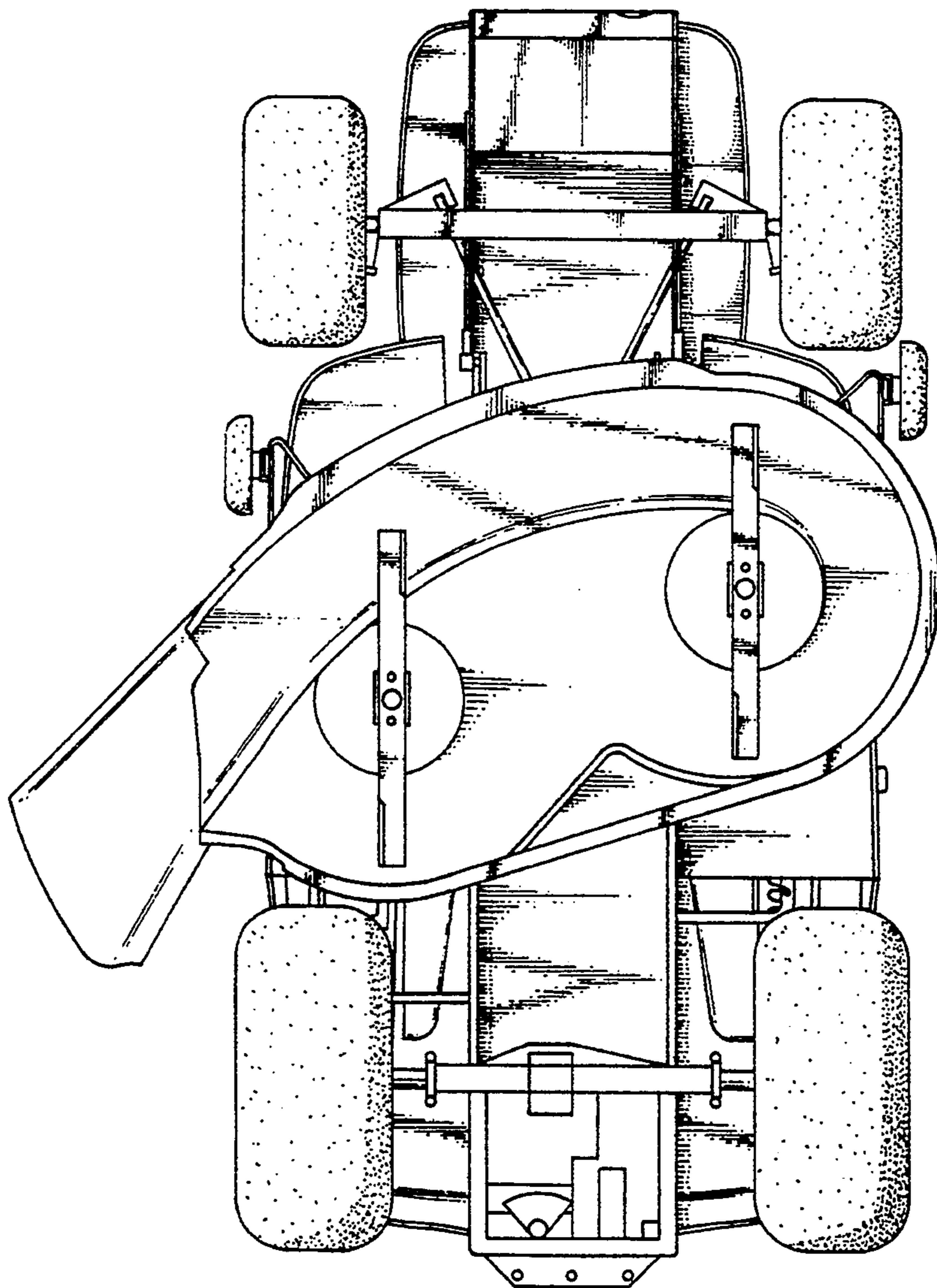


FIG. 6

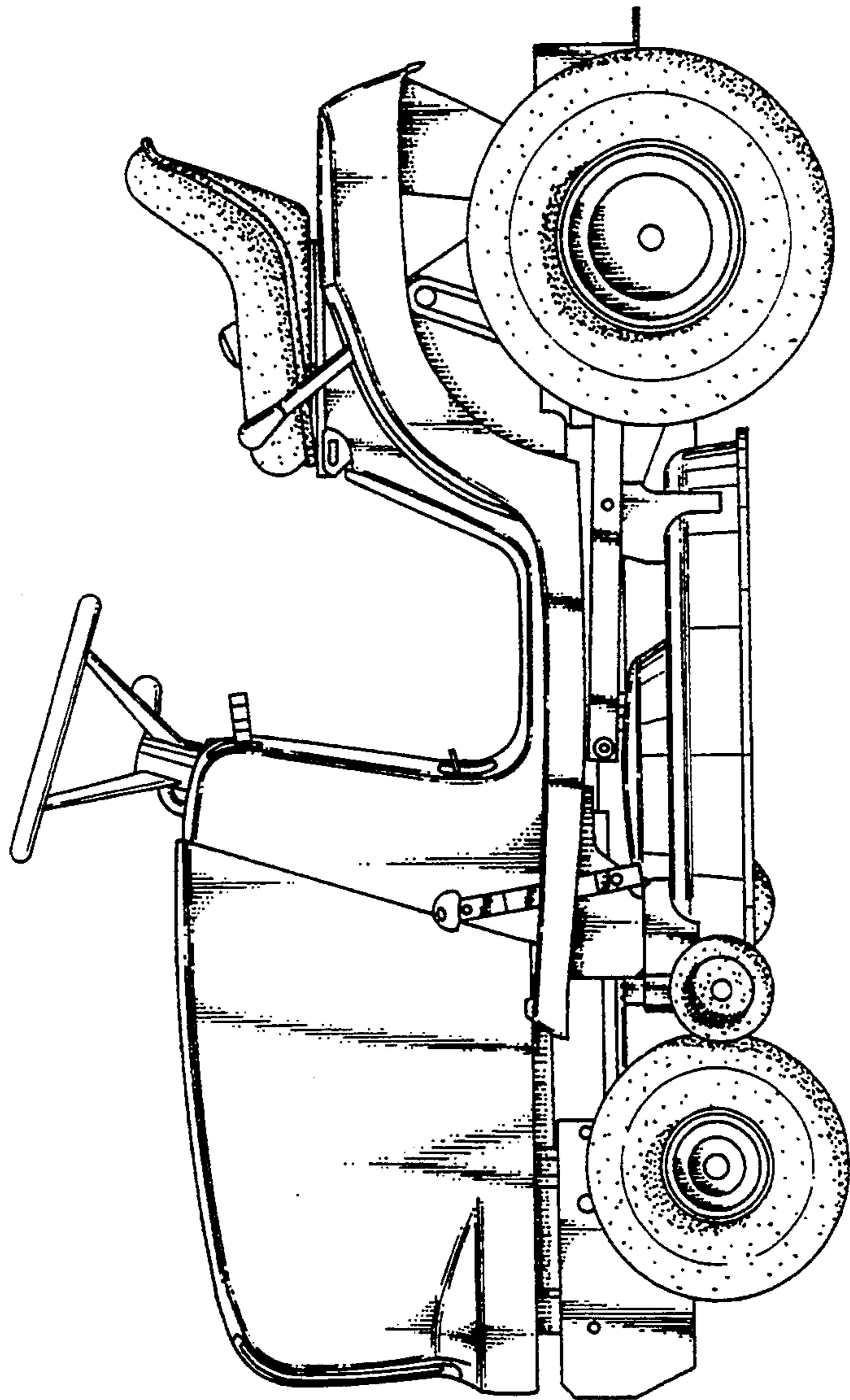


FIG. 7

