



US00D353144S

United States Patent [19]

[11] Patent Number: Des. 353,144

Brandt et al.

[45] Date of Patent: ** Dec. 6, 1994

[54] **CASE FOR A PORTABLE MODEM**

[75] Inventors: **Dean Brandt**, Minneapolis; **Greg Johnson**, Fridley, both of Minn.

[73] Assignee: **Multi-Tech Systems, Inc.**, Mounds View, Minn.

[**] Term: **14 Years**

[21] Appl. No.: **6,014**

[22] Filed: **Mar. 17, 1993**

[52] U.S. Cl. **D14/242; D14/107**

[58] Field of Search 379/440, 441, 419, 428, 379/422, 447, 325, 330; D13/164, 184; D14/100, 107, 109, 114, 140, 142, 240, 242

[56] **References Cited**

U.S. PATENT DOCUMENTS

D. 300,624	4/1989	Seymour	D14/240
D. 307,577	5/1990	Abe et al.	D13/164
D. 309,604	7/1990	Osaka et al.	D14/109
D. 312,627	12/1990	Gutzmer	D14/107
D. 328,591	8/1992	Yokoi et al.	D13/184 X
D. 337,997	8/1993	Brunner et al.	D14/109
D. 340,059	10/1993	Wetzel et al.	D14/107 X
D. 341,363	11/1993	Chambers	D14/240

Primary Examiner—Nelson C. Holtje
Assistant Examiner—Jeffrey Asch

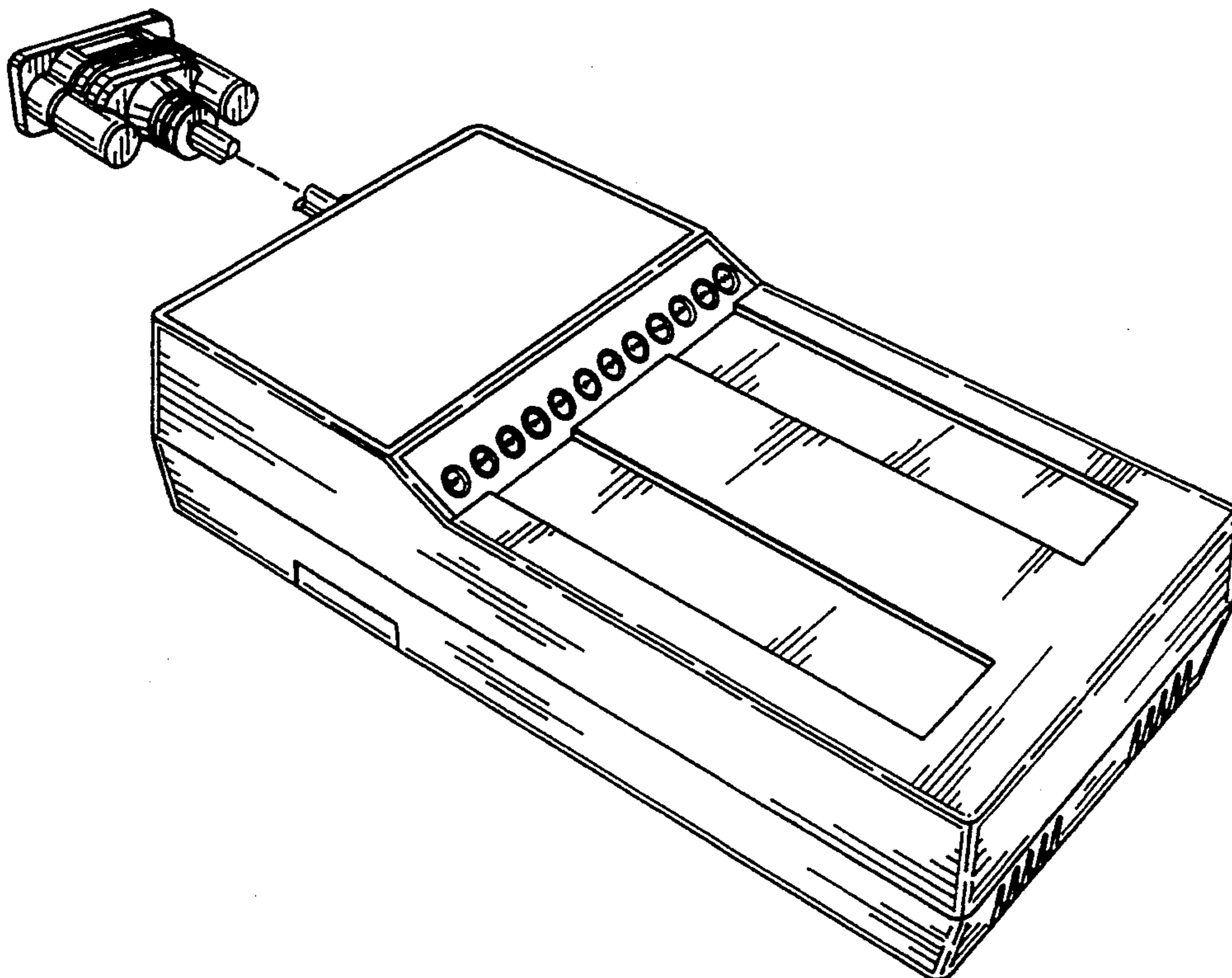
Attorney, Agent, or Firm—Schwegman, Lundberg & Woessner

[57] **CLAIM**

The ornamental design for a case for a portable modem, as shown and described.

DESCRIPTION

FIG. 1 is a front, top, and left side perspective view of a case for a portable modem showing our new design; FIG. 2 is a front elevational view; FIG. 3 is a rear elevational view; FIG. 4 is a top plan view; FIG. 5 is a bottom plan view; FIG. 6 is a right side elevational view; FIG. 7 is a left side elevational view; FIG. 8 is a front, top, and left side perspective view of a second embodiment of that shown in FIG. 1; FIG. 9 is a front elevational view; FIG. 10 is a rear elevational view; FIG. 11 is a top plan view; FIG. 12 is a bottom plan view; FIG. 13 is a right side elevational view; and, FIG. 14 is a left side elevational view thereof. The connecting cord in FIGS. 1 and 4-7 has been shown broken away to indicate indeterminate length. The broken line showings in FIGS. 8-14 are for illustrative purpose only and form no part of the claimed design.



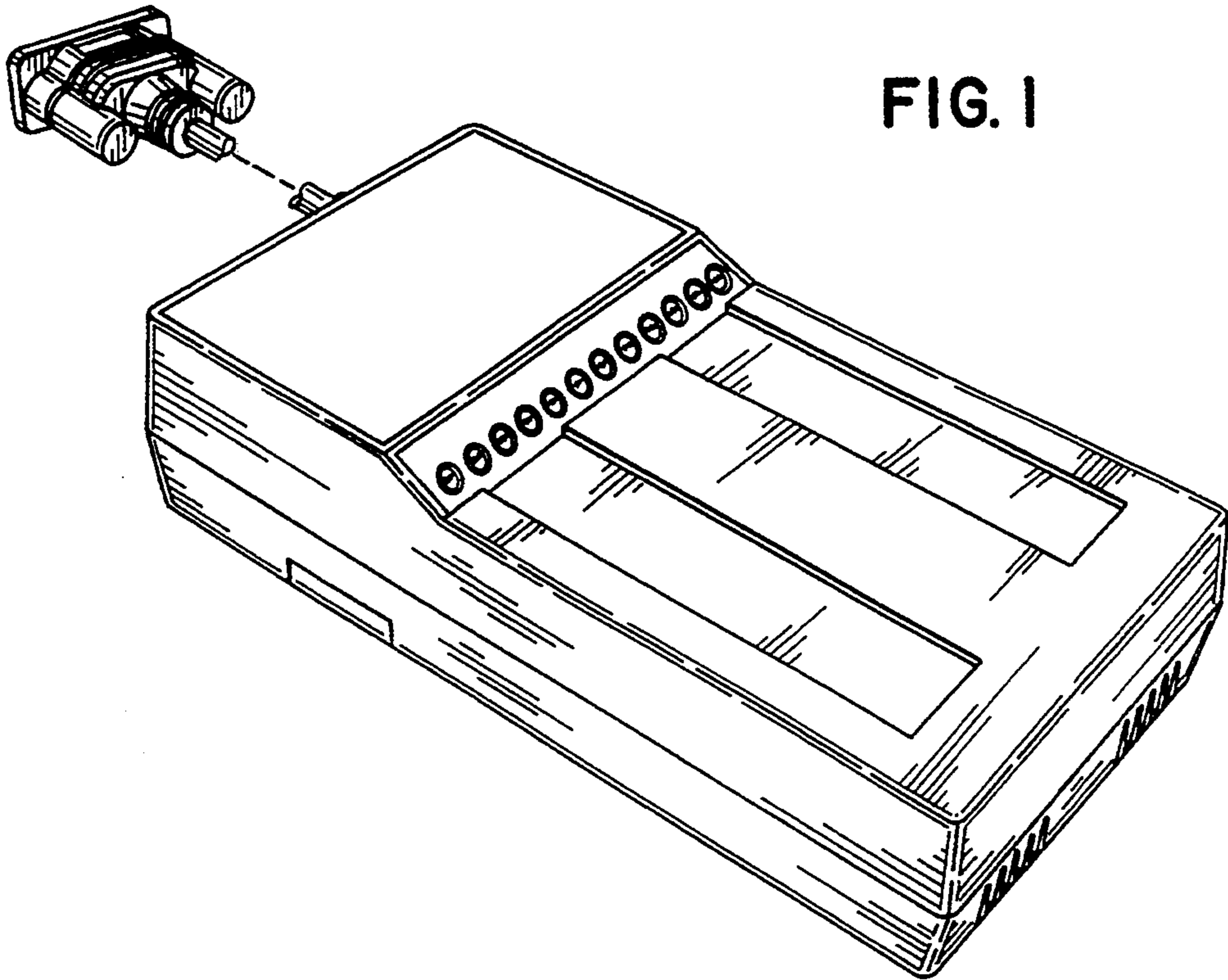


FIG. 2

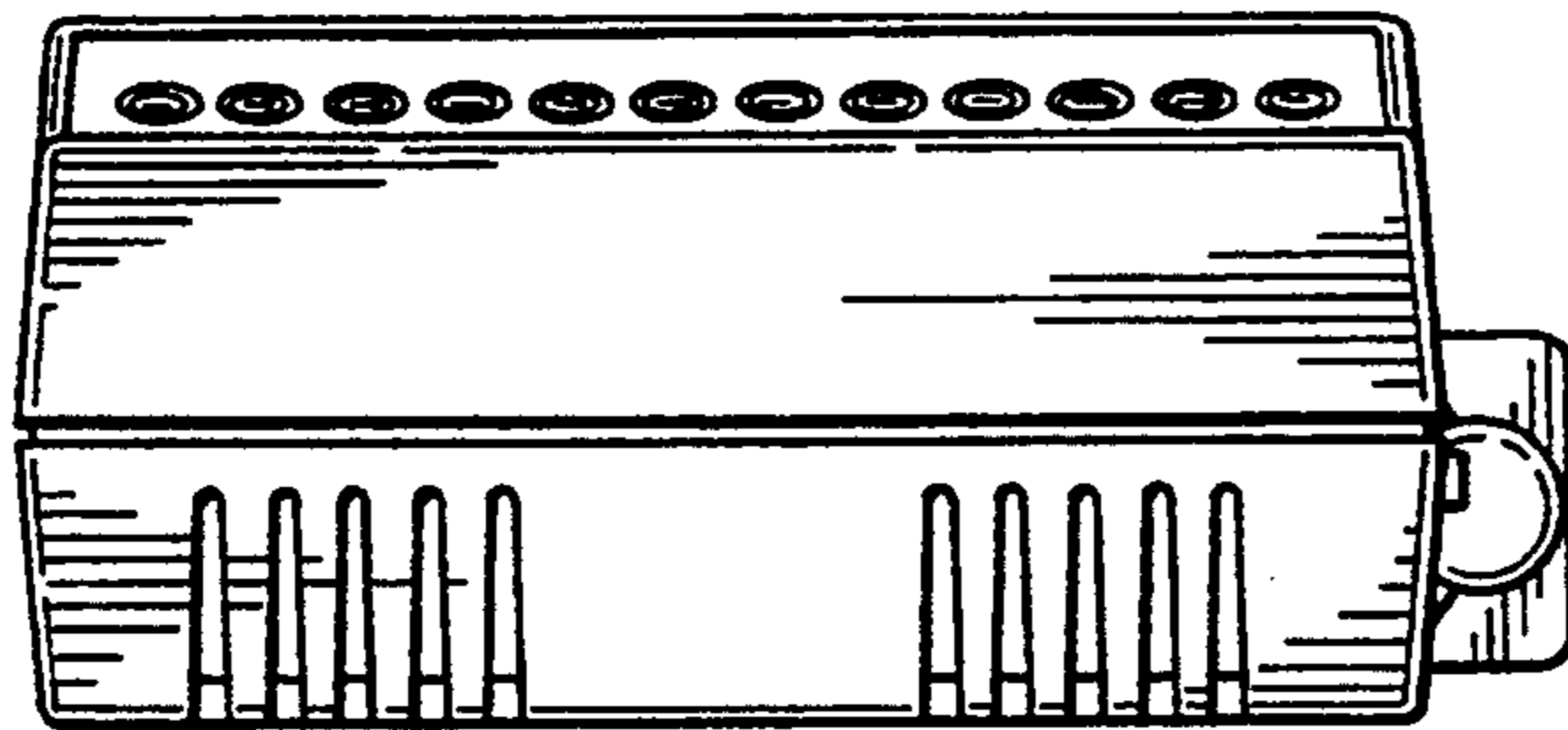


FIG. 3

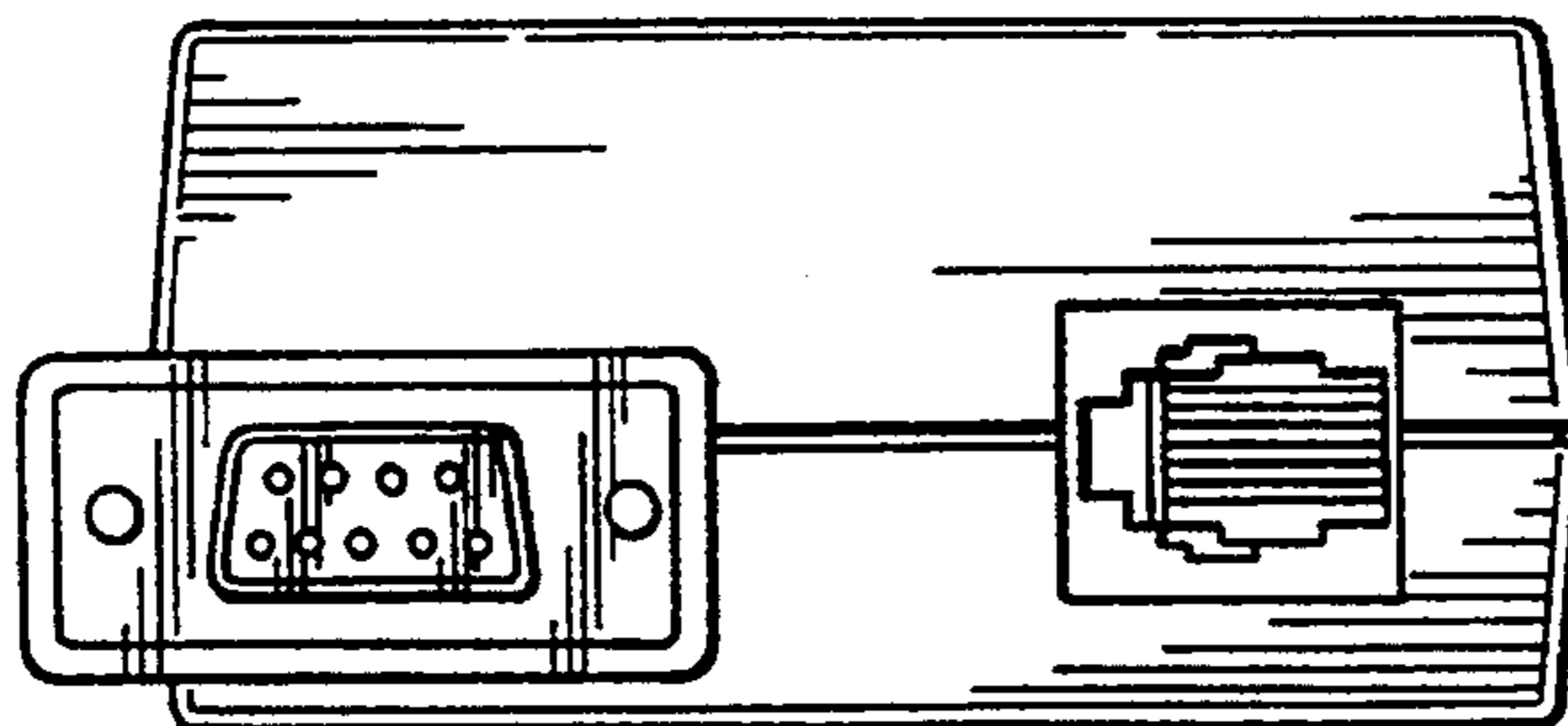


FIG. 4

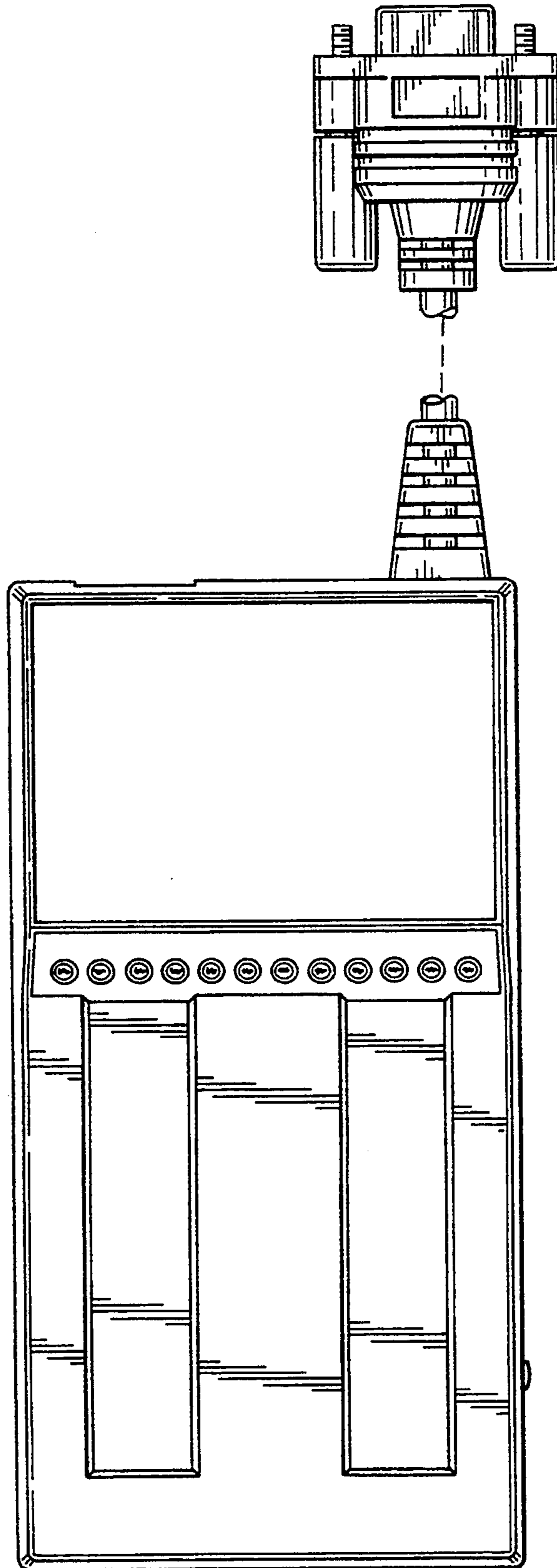
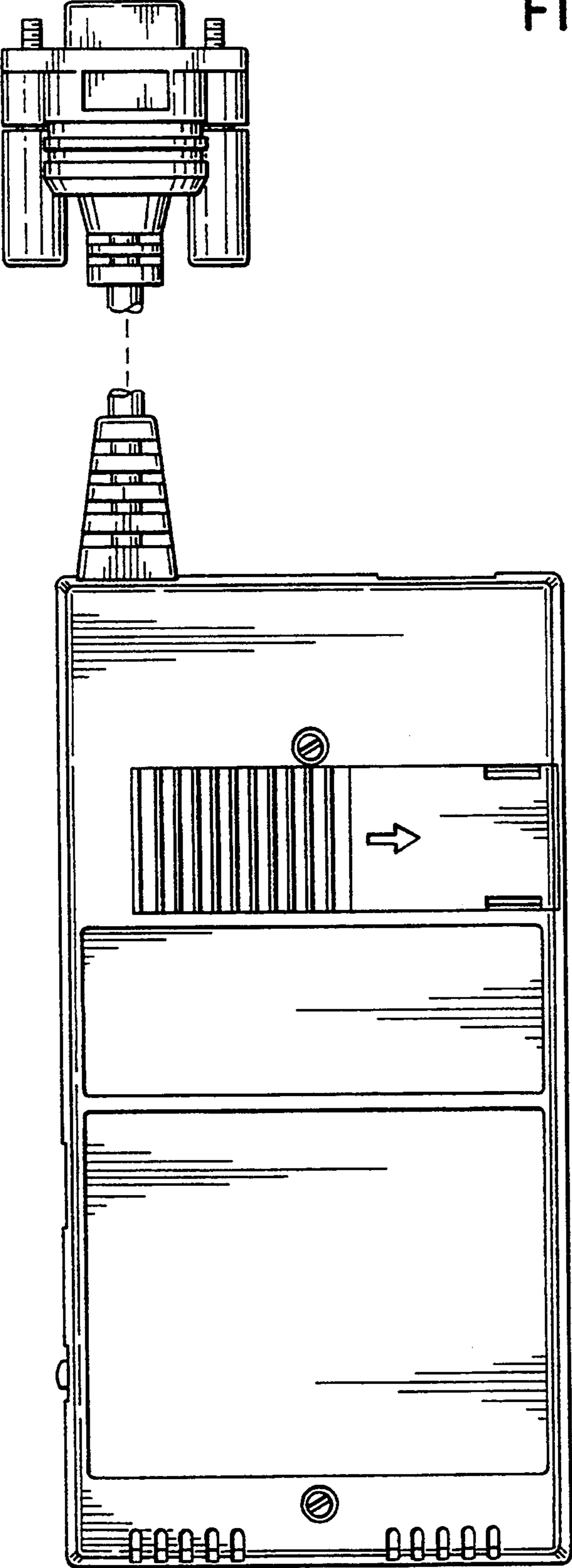


FIG. 5



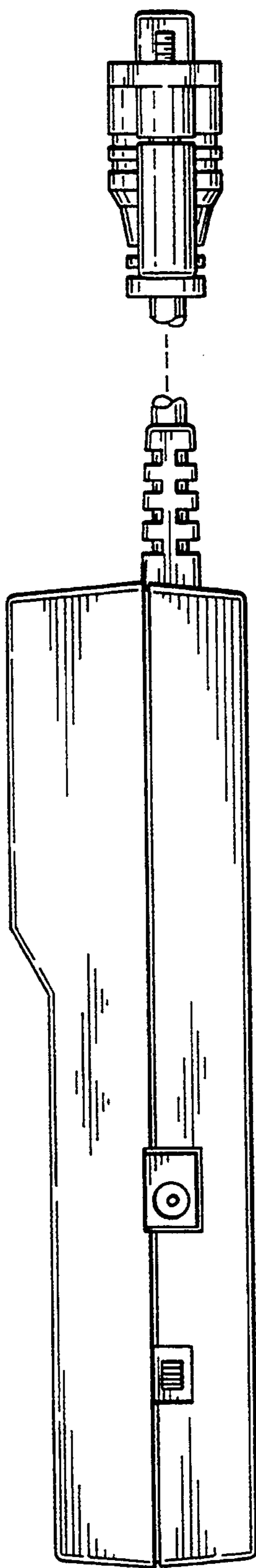


FIG. 6

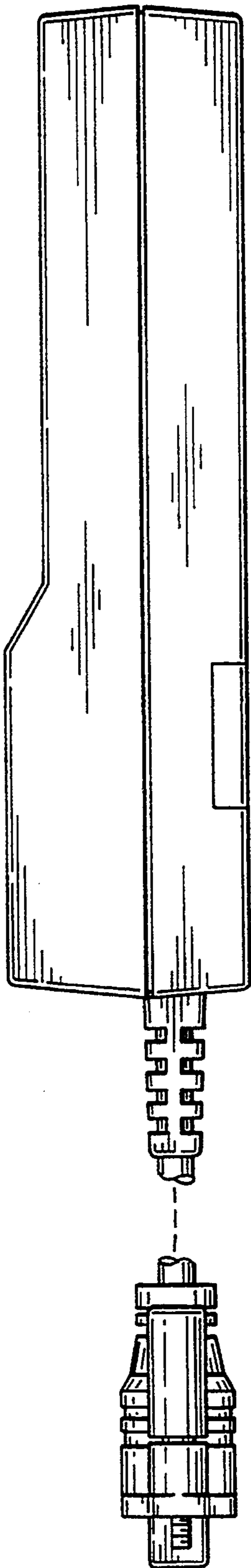


FIG. 7

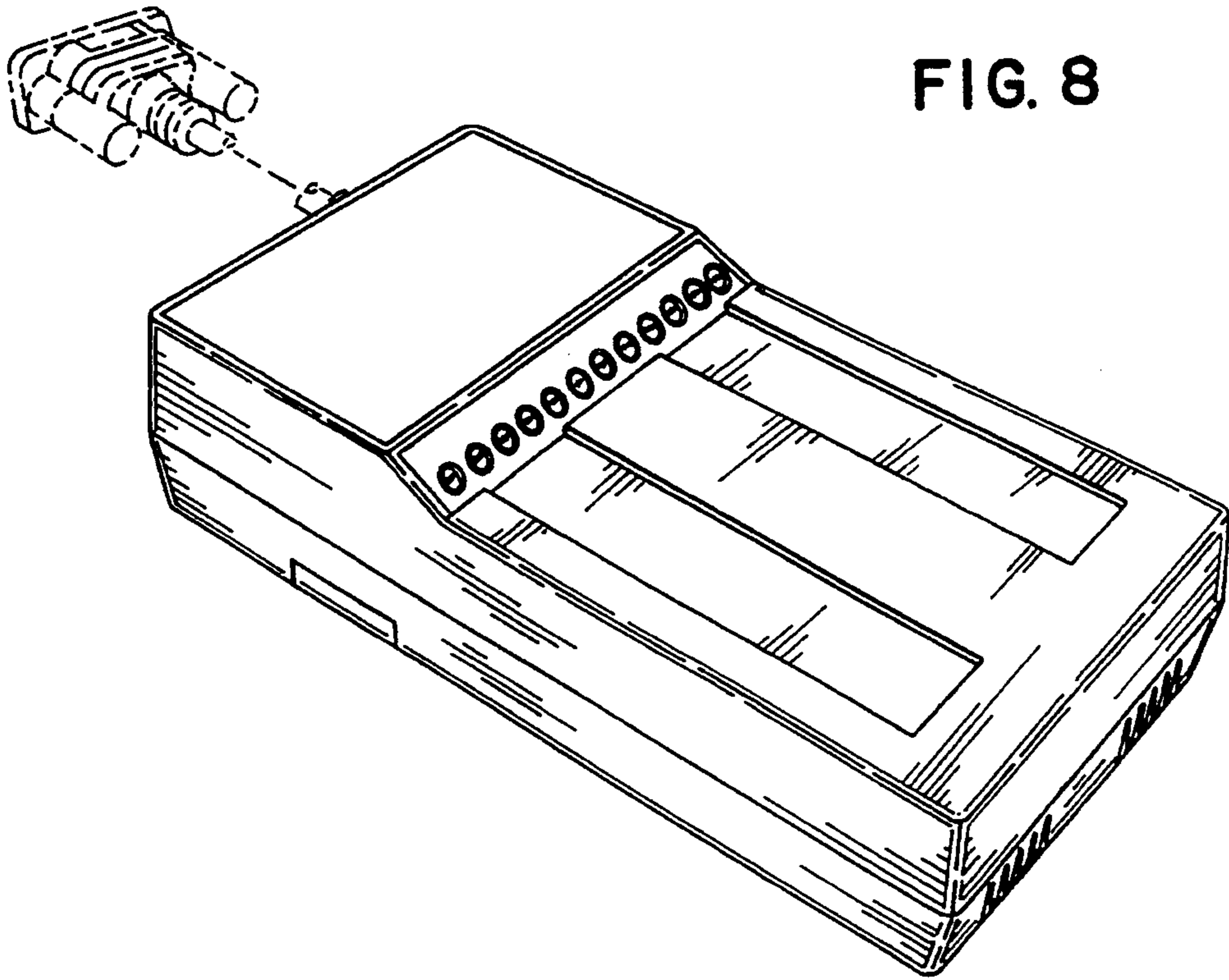


FIG. 8

FIG. 9

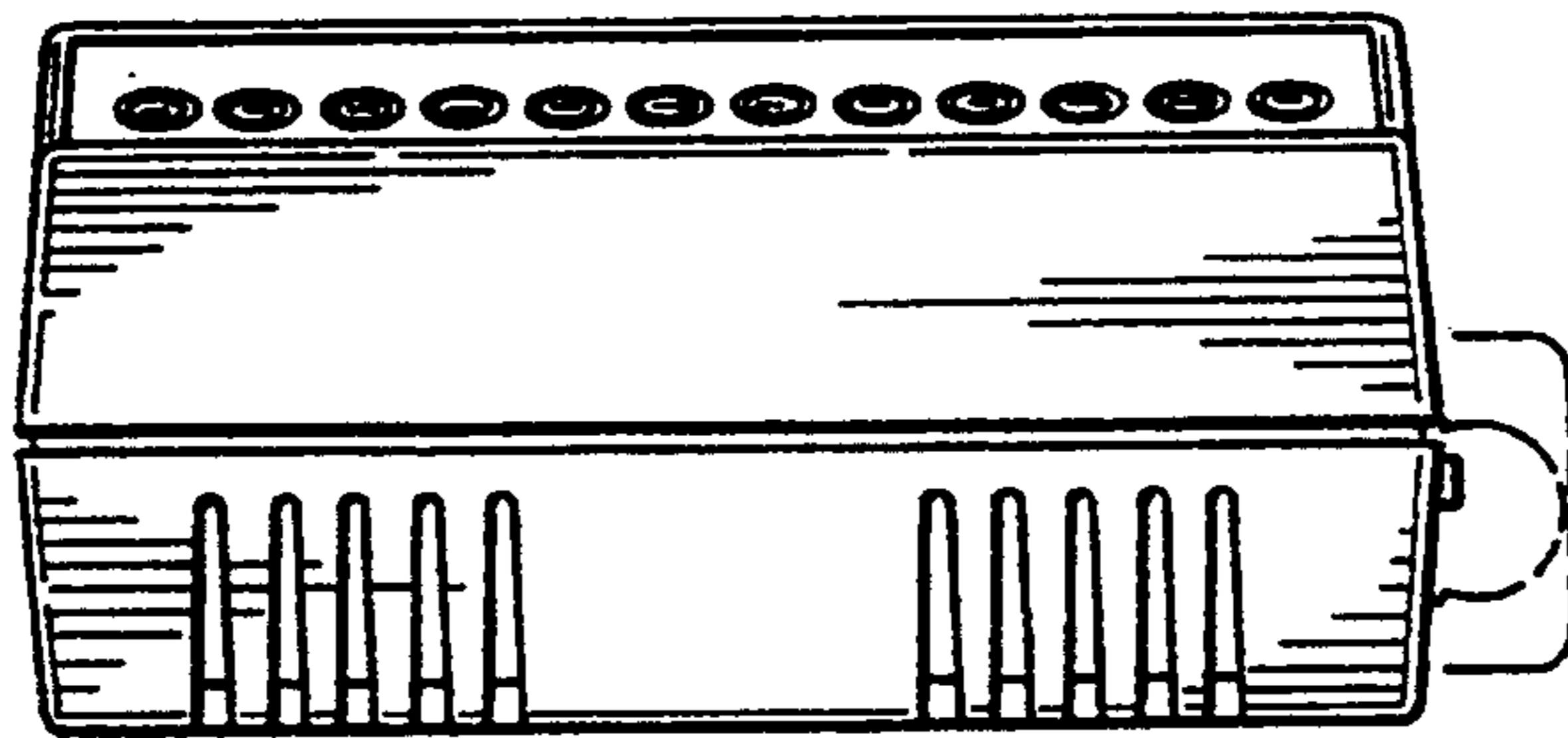


FIG. 10

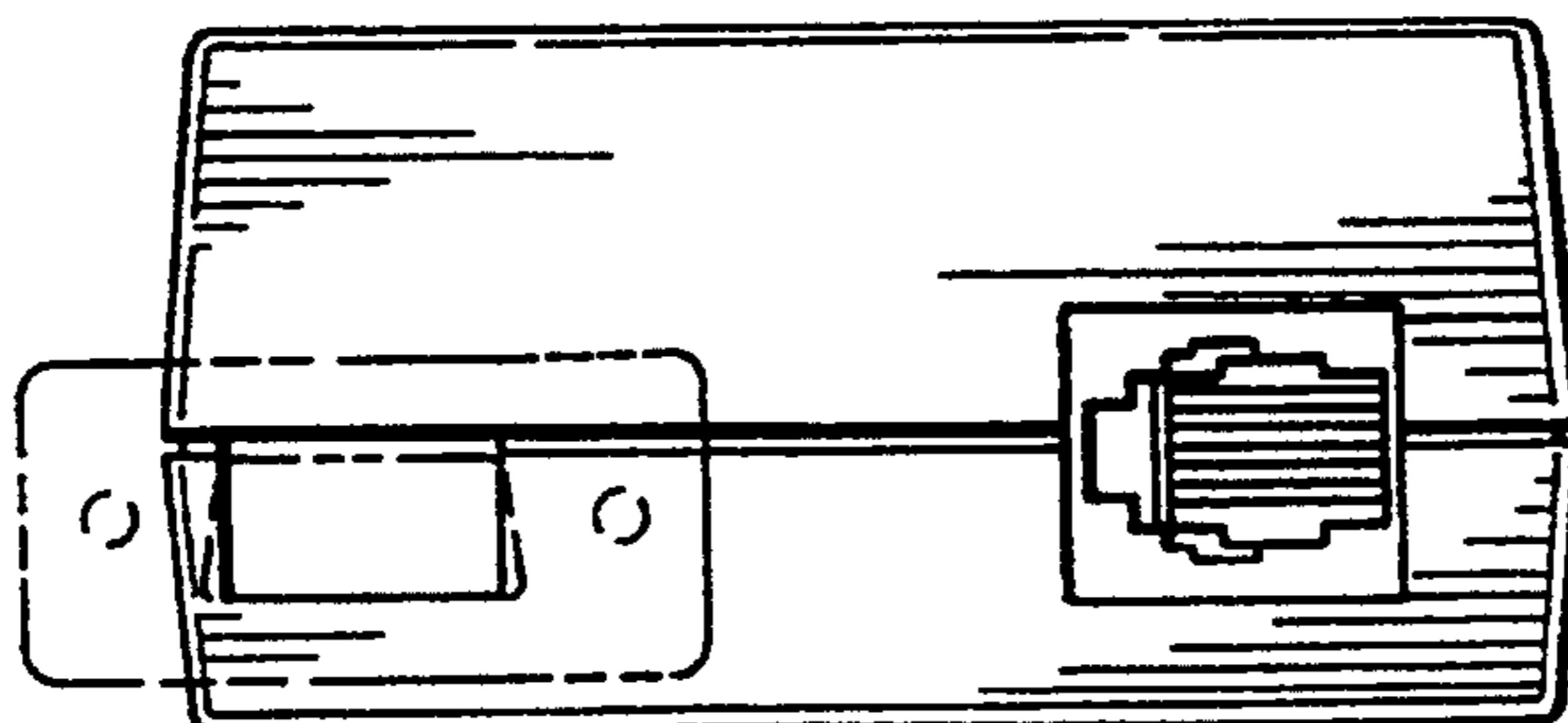
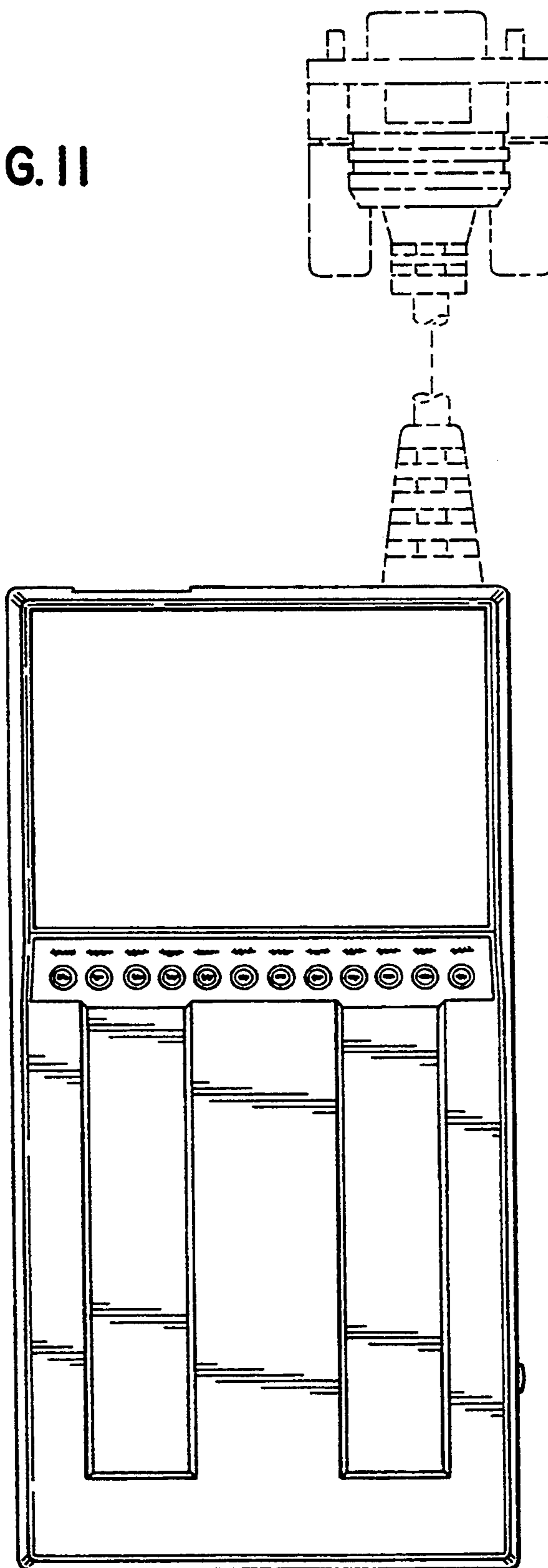


FIG. II



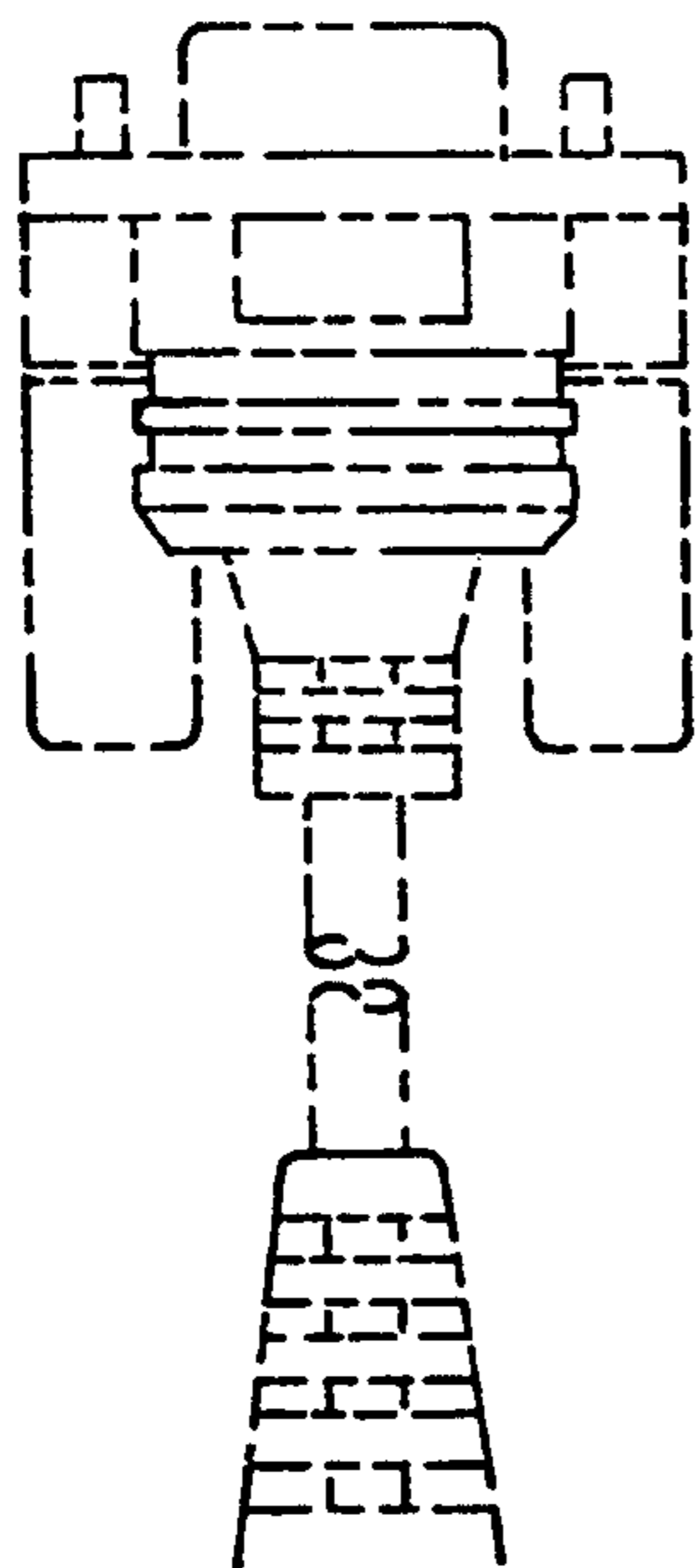


FIG.12

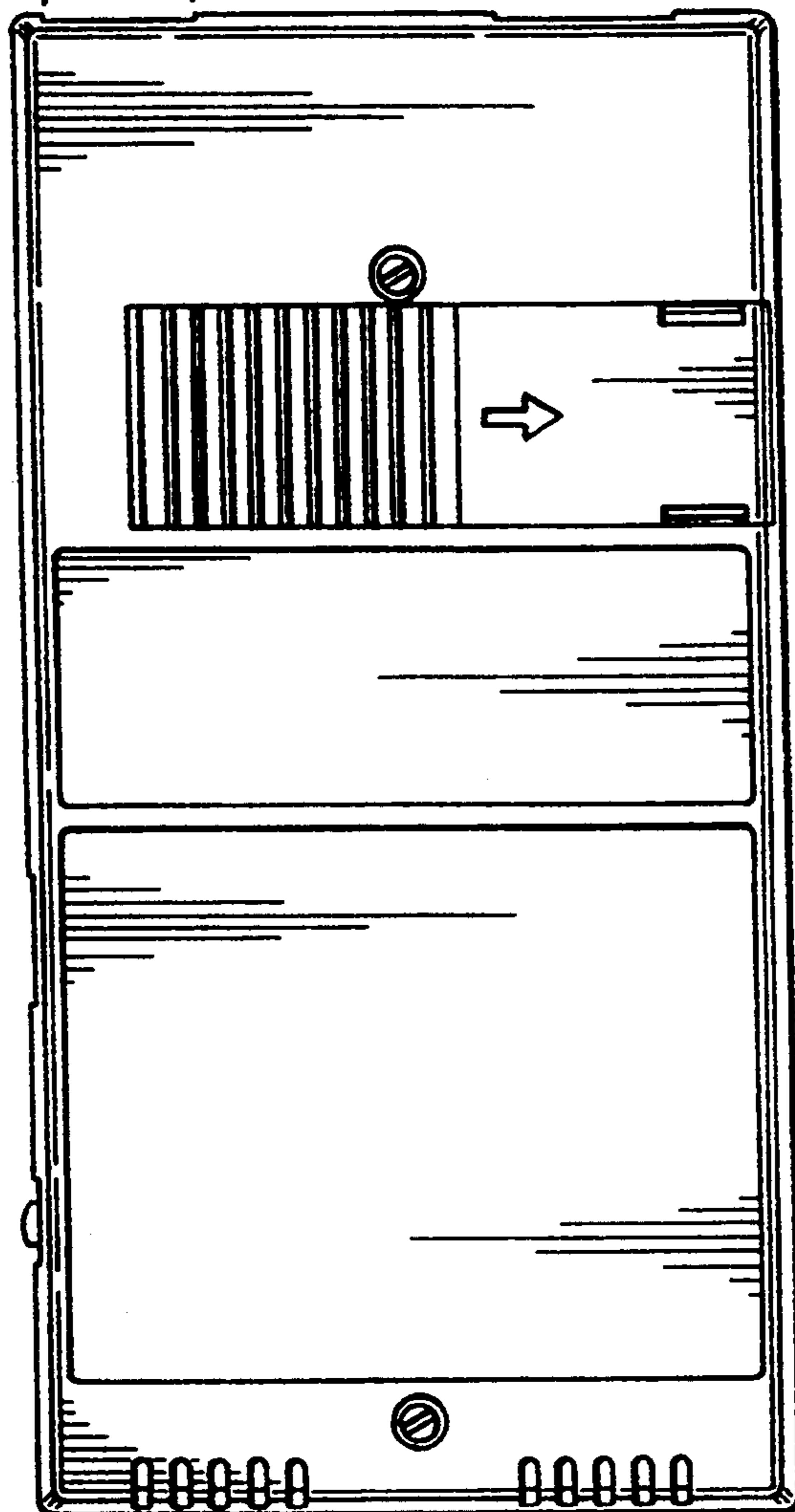
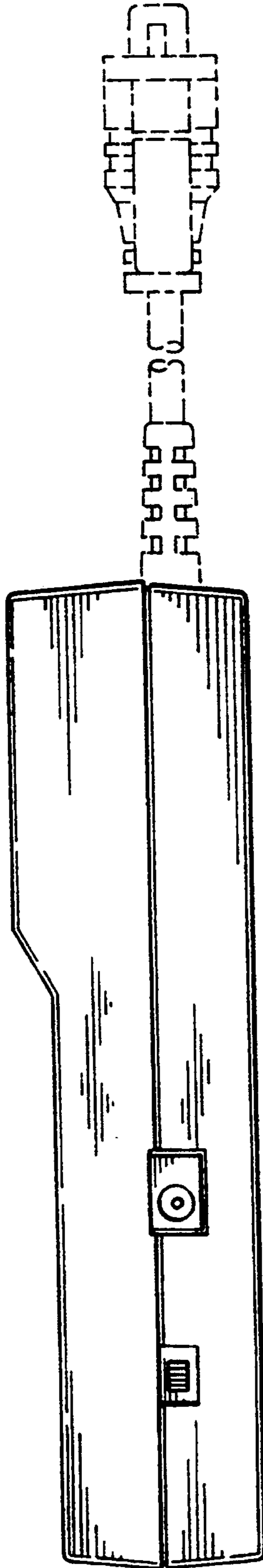


FIG.13



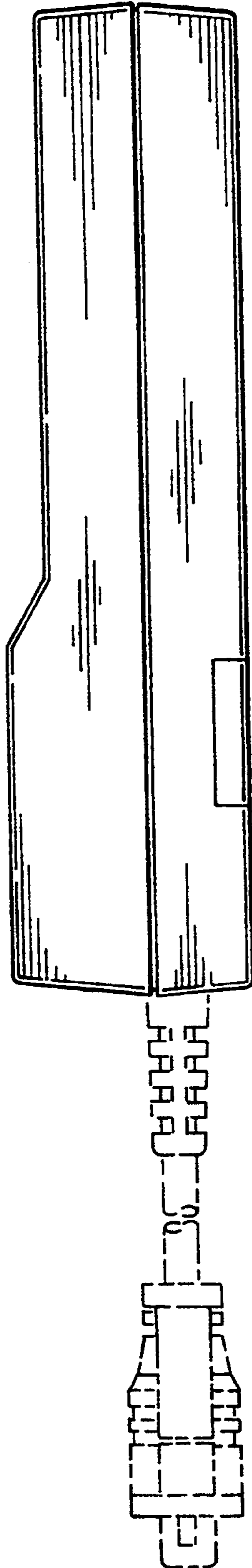


FIG. 14