



US00D353130S

# United States Patent [19]

[11] Patent Number: Des. 353,130

Aldrich et al.

[45] Date of Patent: \*\* Dec. 6, 1994

## [54] FOLDED SOLAR MODULE

[75] Inventors: Donald L. Aldrich, Encino; John S. Frost, Thousand Oaks, both of Calif.

[73] Assignee: Siemens Solar Industries International, Inc., Camarillo, Calif.

[\*\*] Term: 14 Years

[21] Appl. No.: 11,708

[22] Filed: Aug. 12, 1993

[52] U.S. Cl. .... D13/102

[58] Field of Search ..... 136/244, 246, 251, 259; D13/102

## [56] References Cited

### U.S. PATENT DOCUMENTS

4,421,943 12/1983 Withjack ..... 136/246  
4,620,771 11/1986 Dominguez ..... 136/246 X

## OTHER PUBLICATIONS

Solar lite on p. 283 of *Hong Kong Enterprise*, Oct. 1989.

*Primary Examiner*—Wallace R. Burke

*Assistant Examiner*—Joel Sincavage

*Attorney, Agent, or Firm*—Donald M. Boles

## [57] CLAIM

The ornamental design for a folded solar module, as shown and described.

## DESCRIPTION

FIG. 1 is a perspective view of a folded solar module; FIG. 2 is a top plan view;

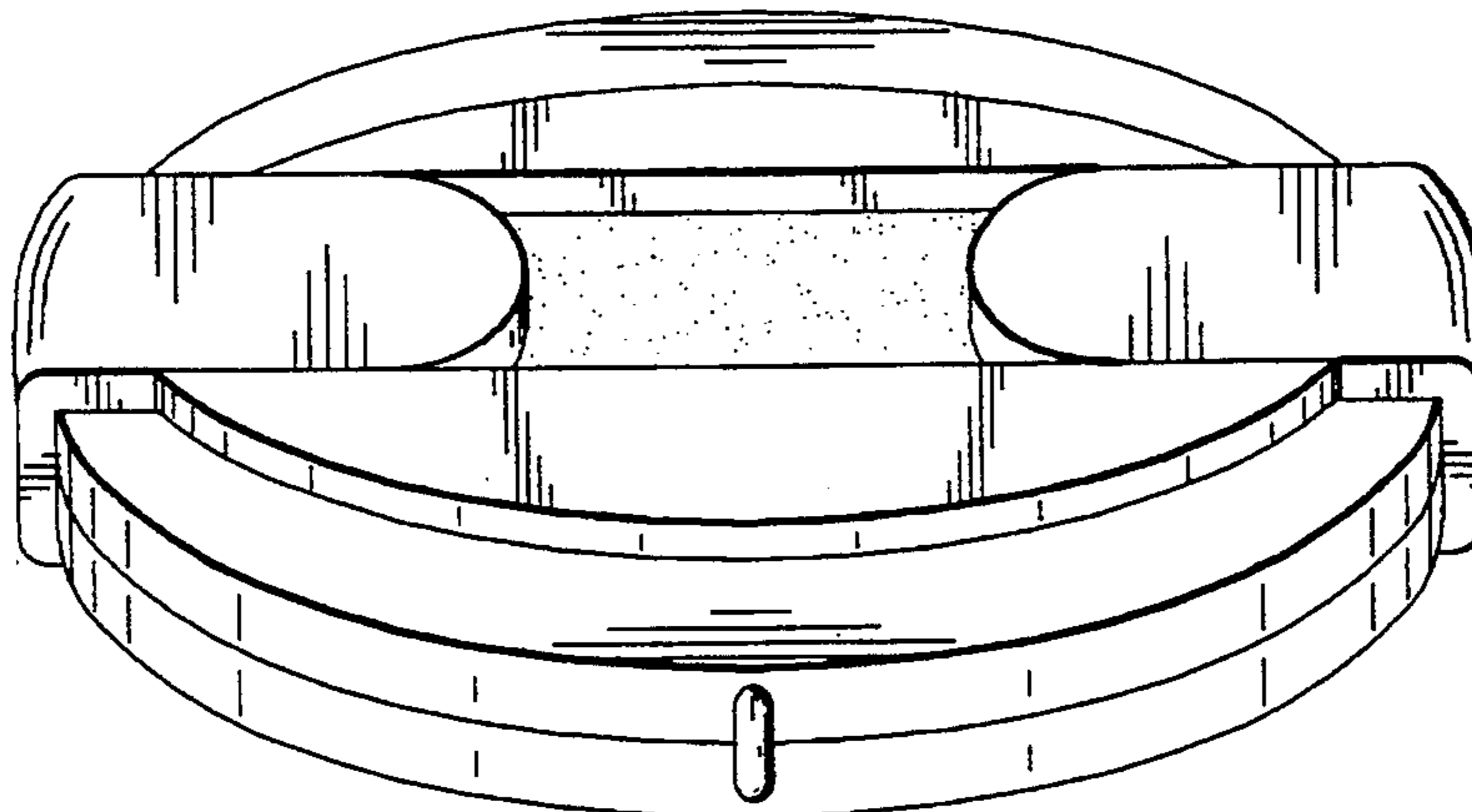
FIG. 3 is a side elevational view of a first side;

FIG. 4 is a side elevational view of a second side opposite that of FIG. 3;

FIG. 5 is a side elevational view adjacent FIGS. 3 and 4;

FIG. 6 is a side elevational view opposite that of FIG. 5; and,

FIG. 7 is a bottom view.



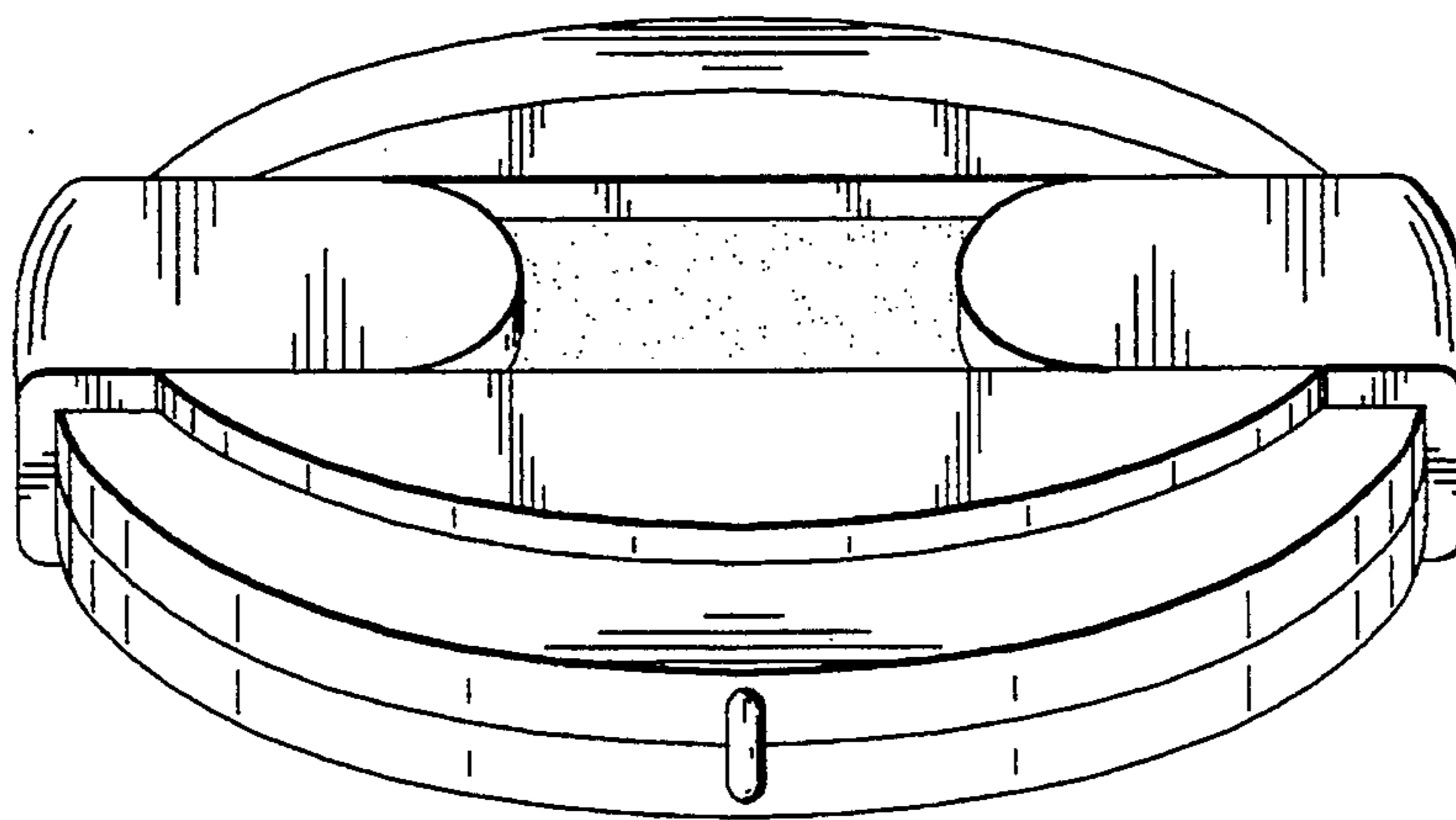


FIG. 1

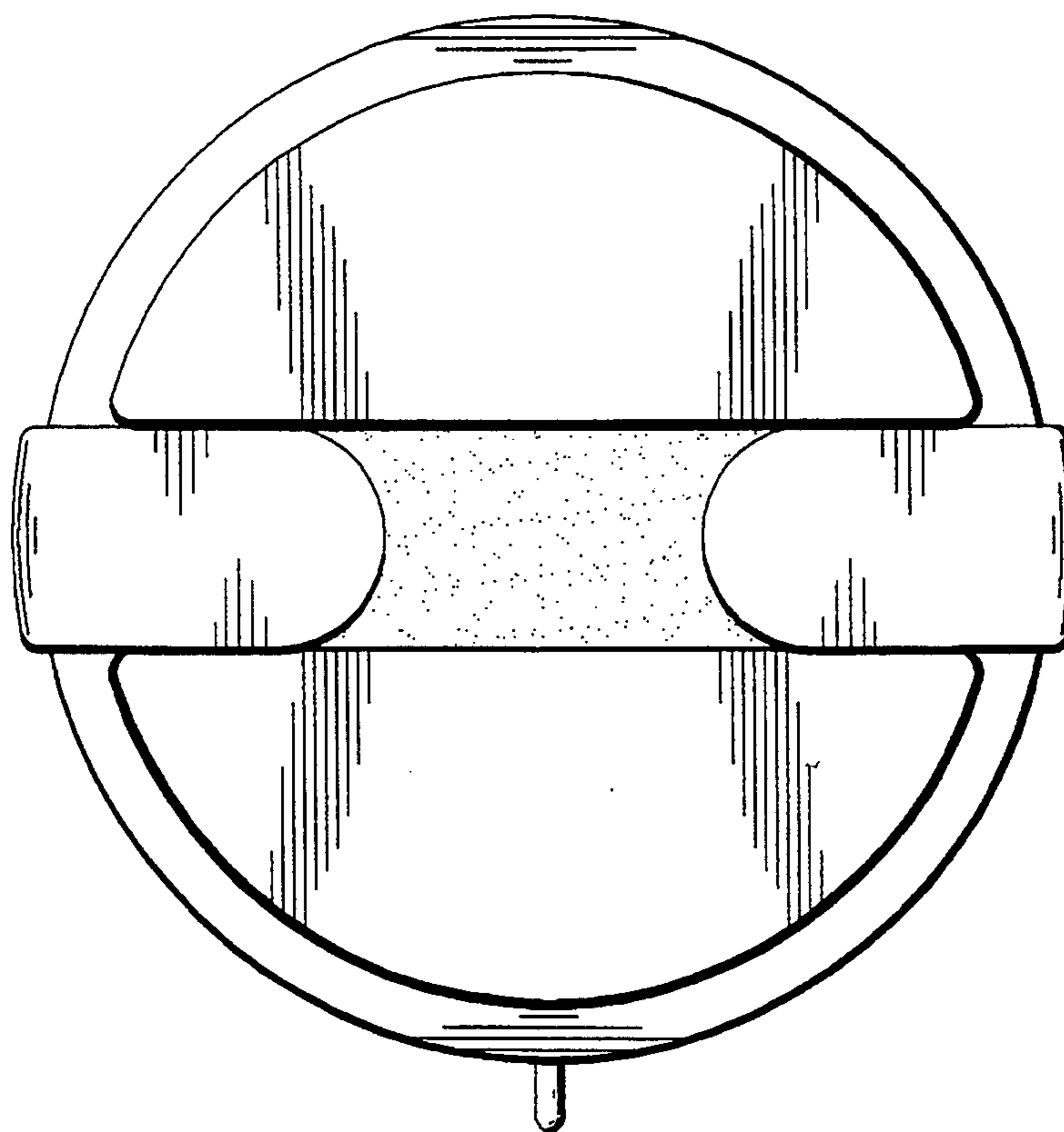


FIG. 2

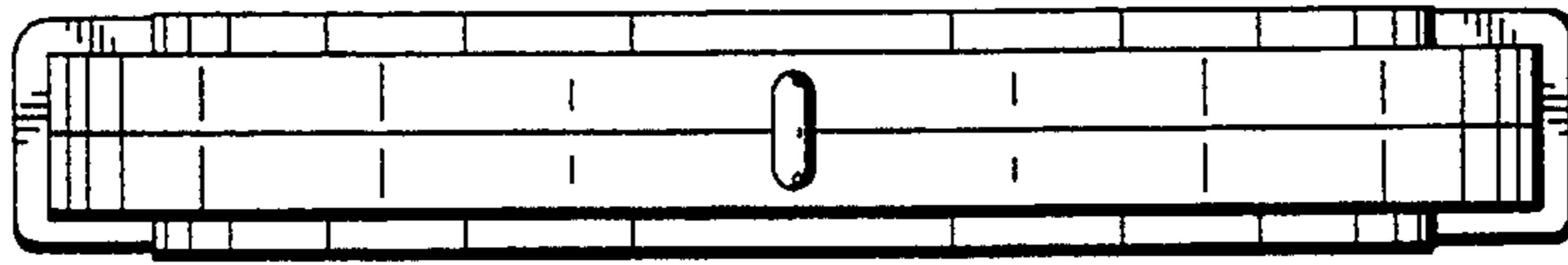


FIG. 3

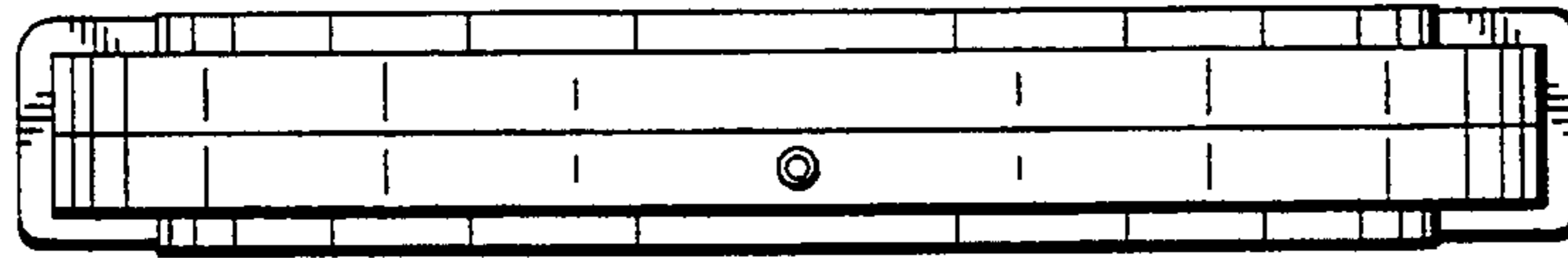


FIG. 4

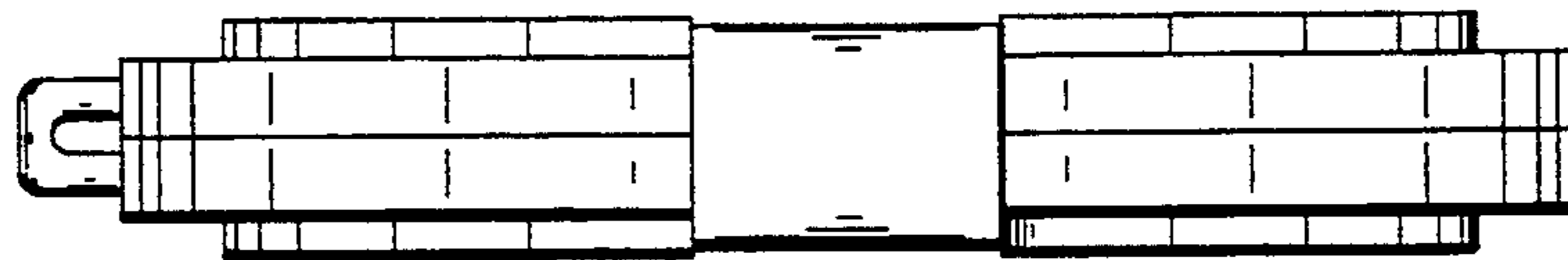


FIG. 5

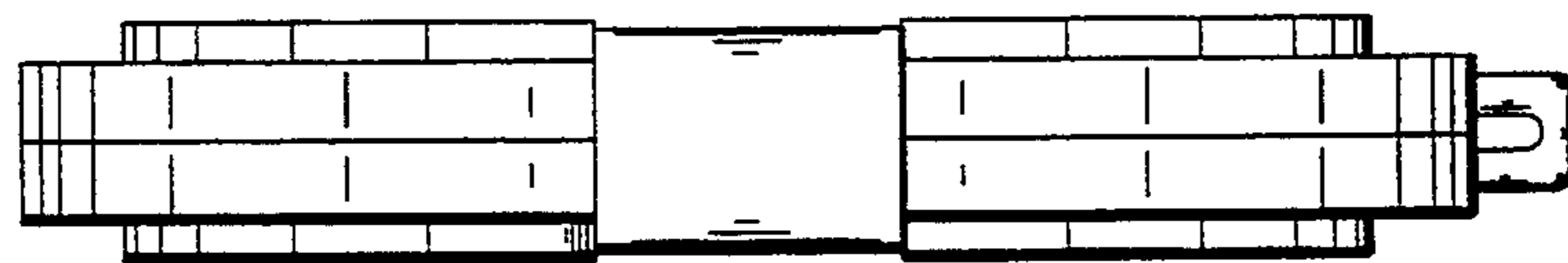


FIG. 6

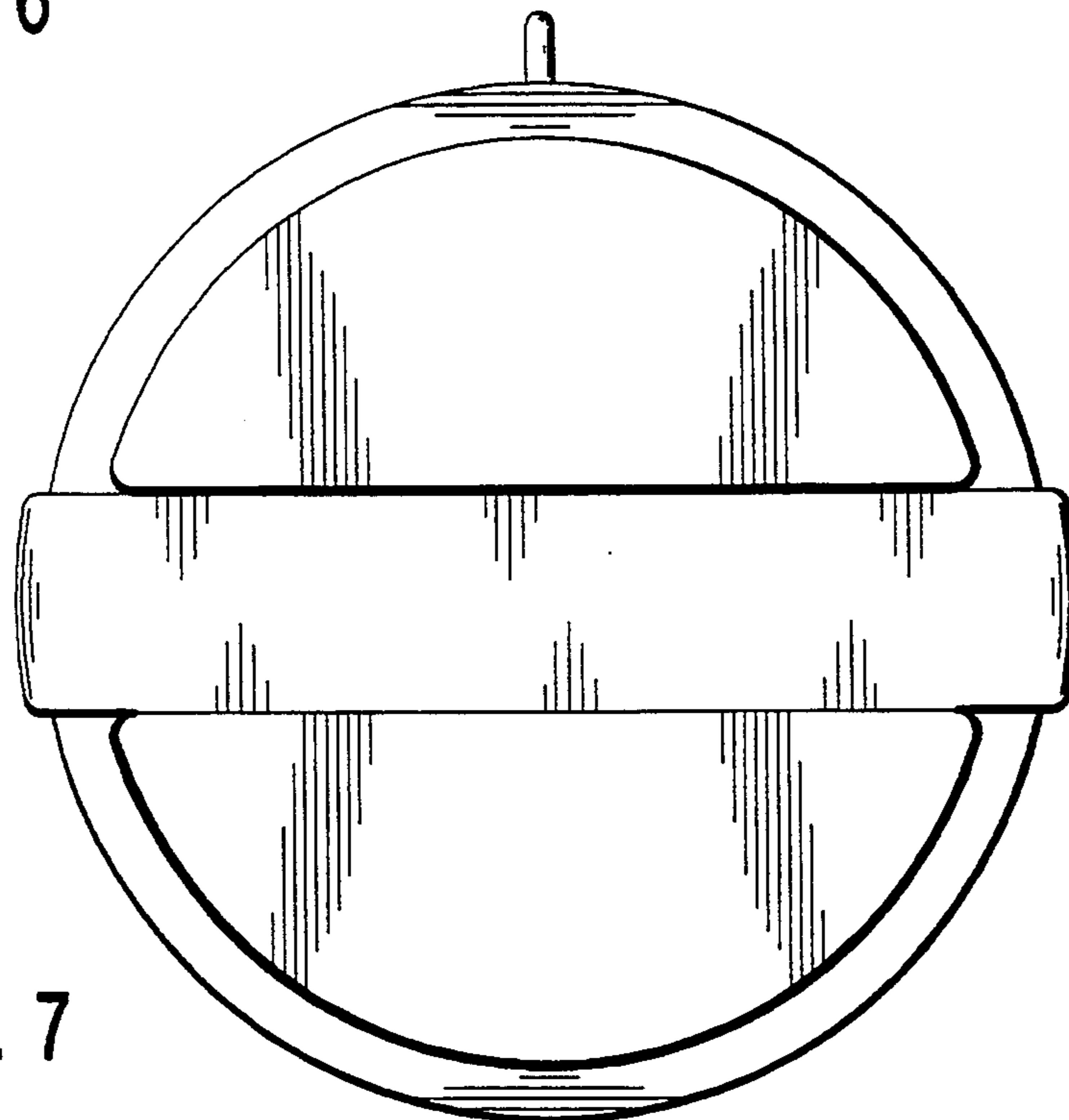


FIG. 7