



US00D353126S

United States Patent [19]

[11] Patent Number: **Des. 353,126**

Clark et al.

[45] Date of Patent: **** Dec. 6, 1994**

[54] **CHAIN TAILGATE FOR A TRUCK**

5,110,172 5/1992 Ney 296/50

[76] Inventors: **Randy Clark; Laura Clark**, both of
19523 E. 43rd St., Broken Arrow,
Okla. 74014

FOREIGN PATENT DOCUMENTS

595837 4/1960 Canada 296/50

[**] Term: **14 Years**

Primary Examiner—James M. Gandy
Attorney, Agent, or Firm—Terry M. Gernstein

[21] Appl. No.: **9,304**

[57] CLAIM

[22] Filed: **Jun. 10, 1993**

The ornamental design for a chain tailgate for a truck,
as shown and described.

[52] U.S. Cl. **D12/196**

[58] Field of Search 296/50, 55, 57.1, 60;
D12/98, 196

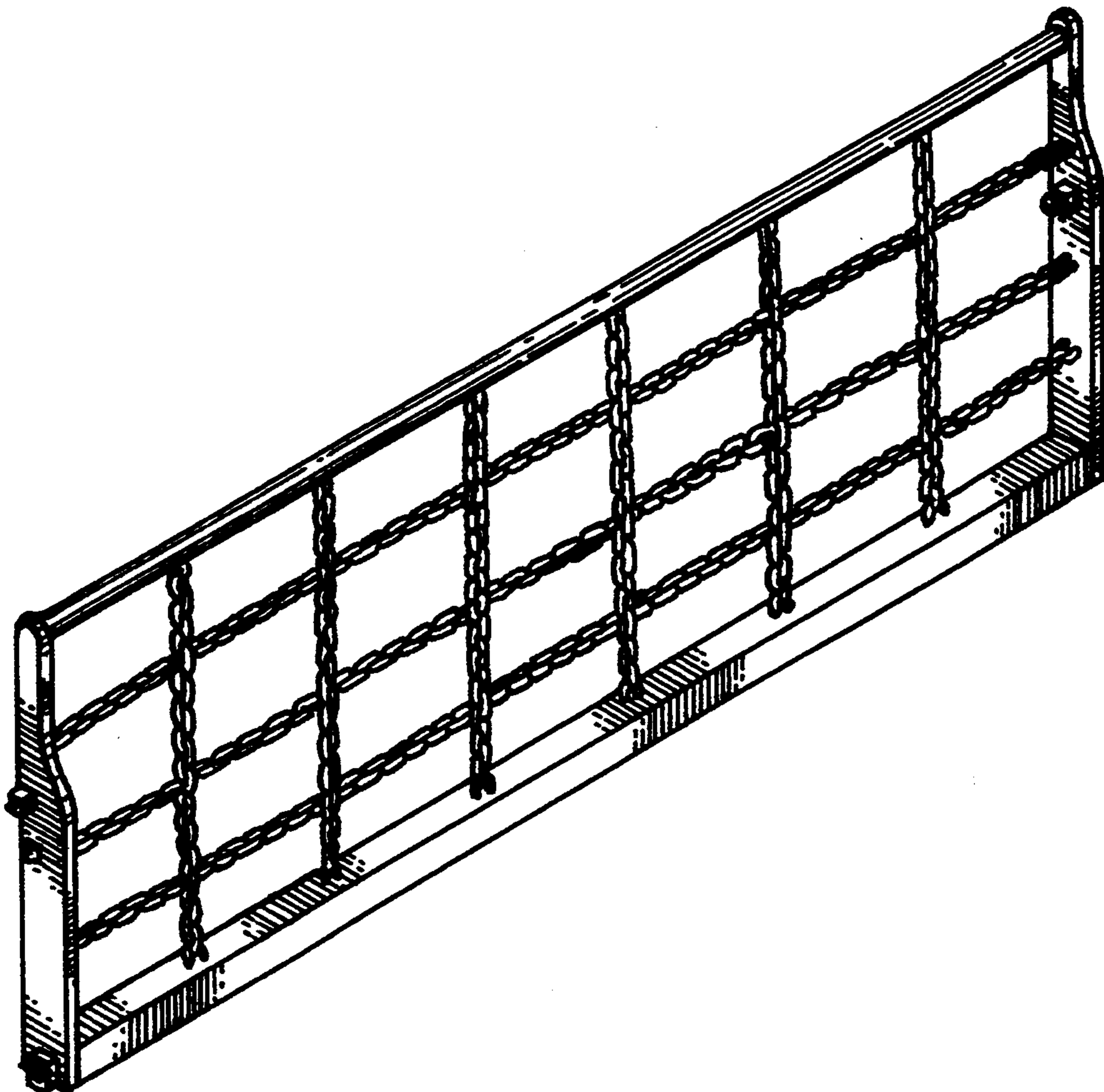
DESCRIPTION

[56] References Cited

U.S. PATENT DOCUMENTS

D. 289,516	4/1987	Watts	D12/196
4,763,944	8/1988	Fry et al.	296/50
5,069,498	12/1991	Benchoff	296/180.1
5,083,829	1/1992	Fonseca	296/37.6

FIG. 1 is a front, top and side perspective view of the chain tailgate for a truck showing our new design; FIG. 2 is a front end elevational view thereof, the rear end being a mirror image of the front shown in FIG. 2; FIG. 3 is a side elevational view thereof; FIG. 4 is a side elevational view thereof; FIG. 5 is a top plan view thereof; and, FIG. 6 is a bottom plan view thereof.



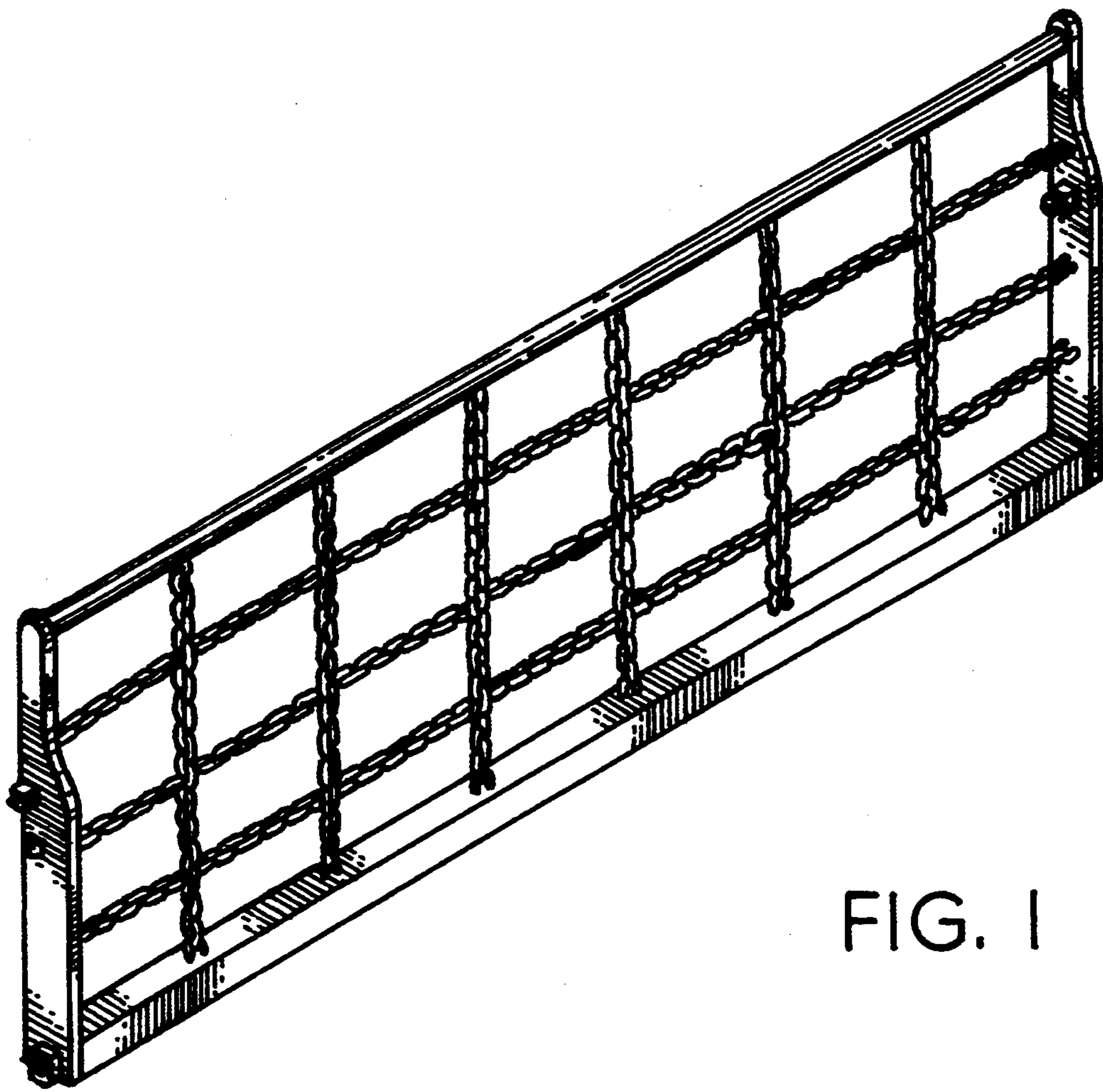


FIG. 1



FIG. 2

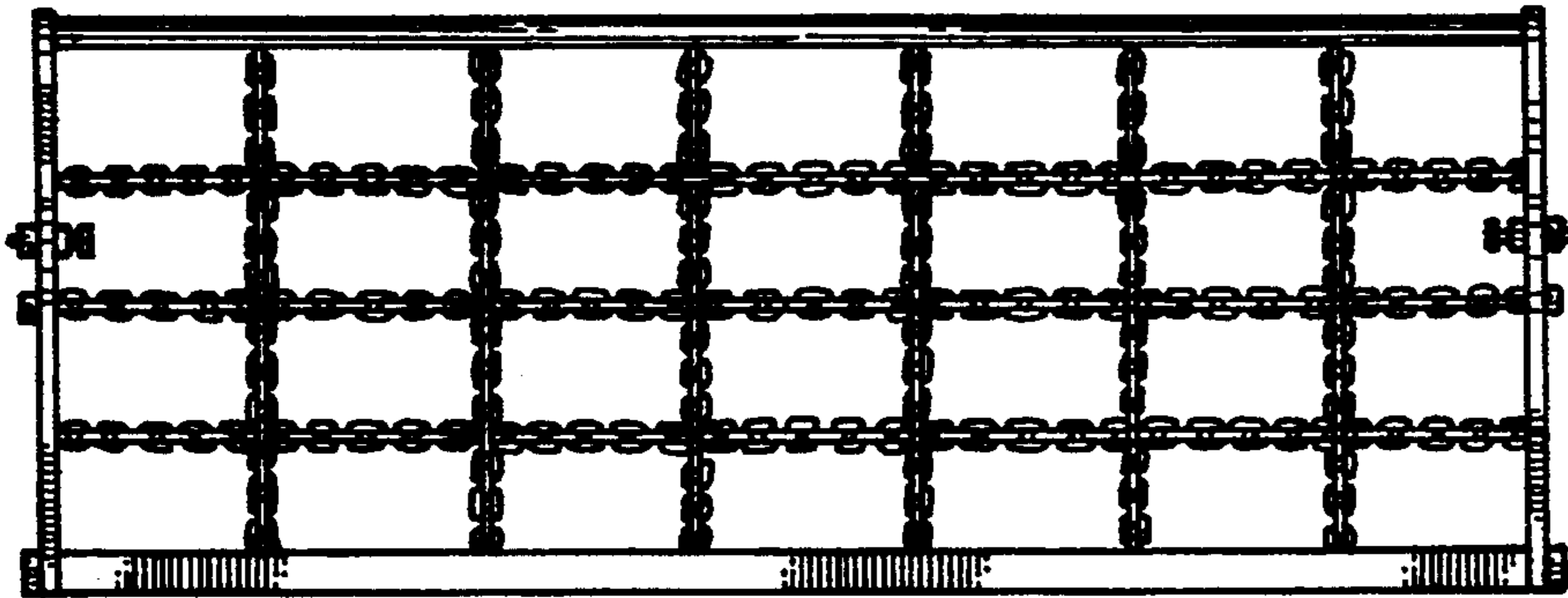


FIG. 3

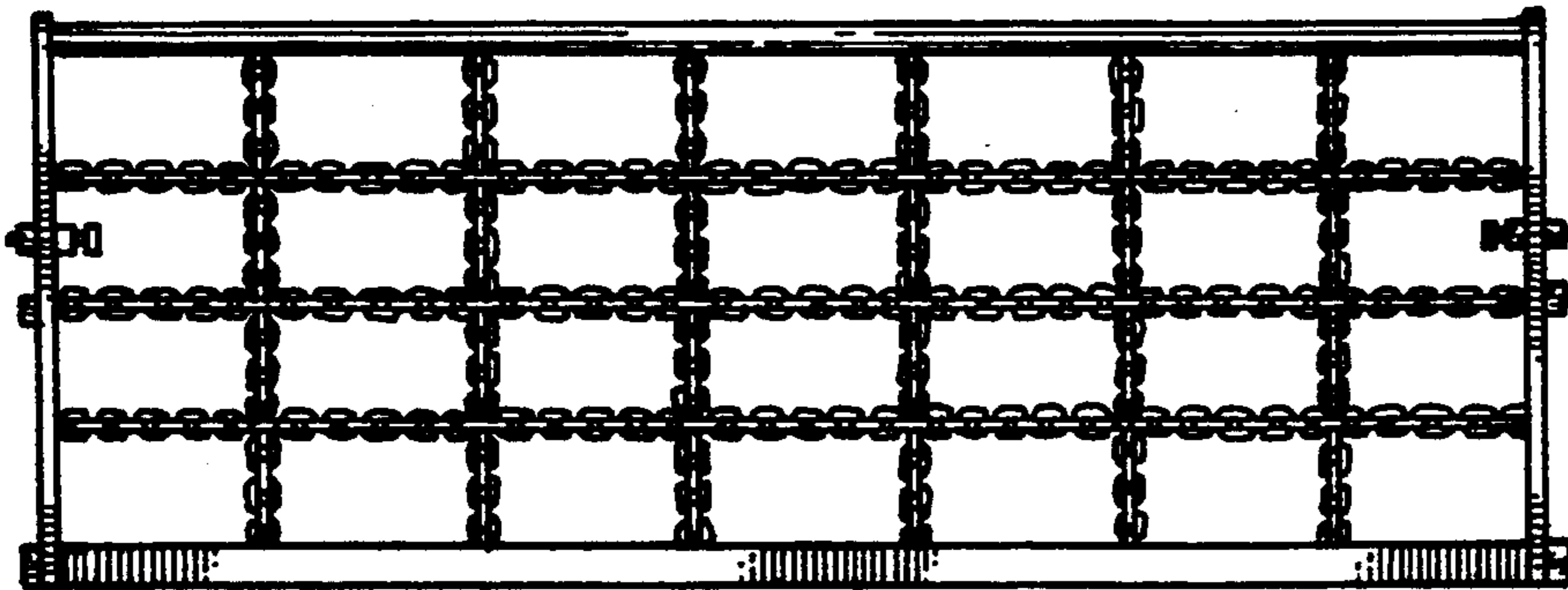


FIG. 4

FIG. 5

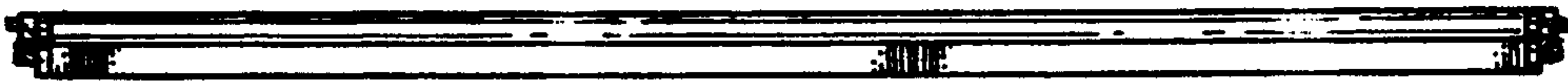


FIG. 6

