



US00D353123S

United States Patent [19]

[11] Patent Number: **Des. 353,123**

Korona

[45] Date of Patent: **** Dec. 6, 1994**

- [54] **TRAY FOR USE ON A WALKER**
- [76] Inventor: **Patricia Korona**, 1854 Imperial Dr., Highland, Mich. 48356
- [**] Term: **14 Years**
- [21] Appl. No.: **6,235**
- [22] Filed: **Mar. 23, 1993**
- [52] U.S. Cl. **D12/133; D6/511; D7/549**
- [58] Field of Search 297/188, 155; 135/67; D6/511; D7/549; D12/133, 130, 131, 128

- 3,146,738 9/1964 Telarico D6/511
- 4,524,701 6/1985 Chappell 297/188
- 5,169,210 12/1992 Fricano 297/188

Primary Examiner—Kay H. Chin
Attorney, Agent, or Firm—Terry M. Gernstein

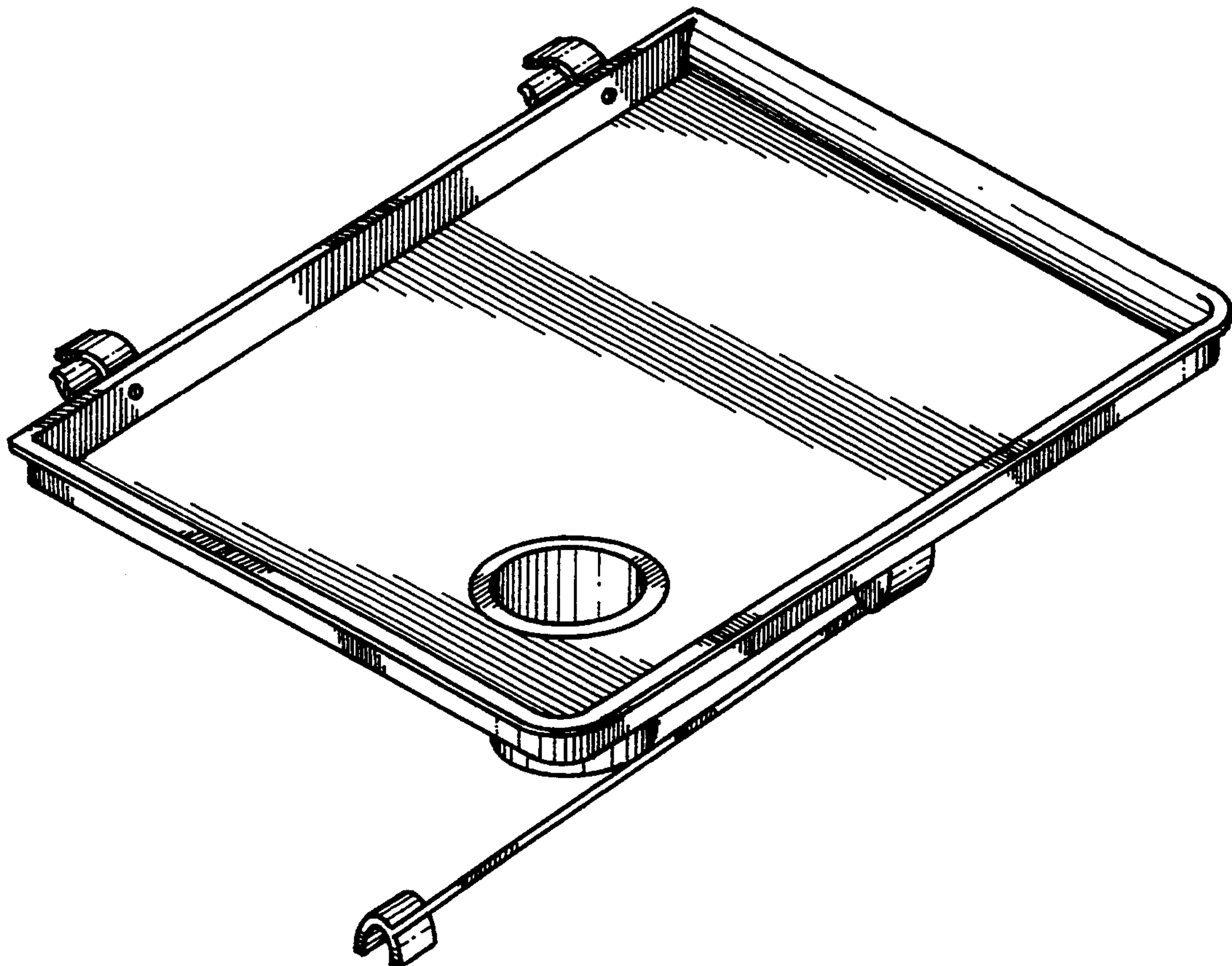
[57] CLAIM

The ornamental design for a tray for use on a walker, as shown and described.

DESCRIPTION

FIG. 1 is a front, top and side perspective view of the tray for use on a walker showing my new design; FIG. 2 is a front elevational view thereof; FIG. 3 is a rear elevational view thereof; FIG. 4 is a side elevational view thereof, the side opposite being a mirror image of the side shown in FIG. 4; FIG. 5 is a top plan view thereof; and, FIG. 6 is a bottom plan view thereof.

- [56] **References Cited**
- U.S. PATENT DOCUMENTS**
- D. 309,684 8/1990 Kohler D12/133
- D. 315,463 3/1991 Spiegel D6/511
- D. 321,300 11/1991 Postic D6/511



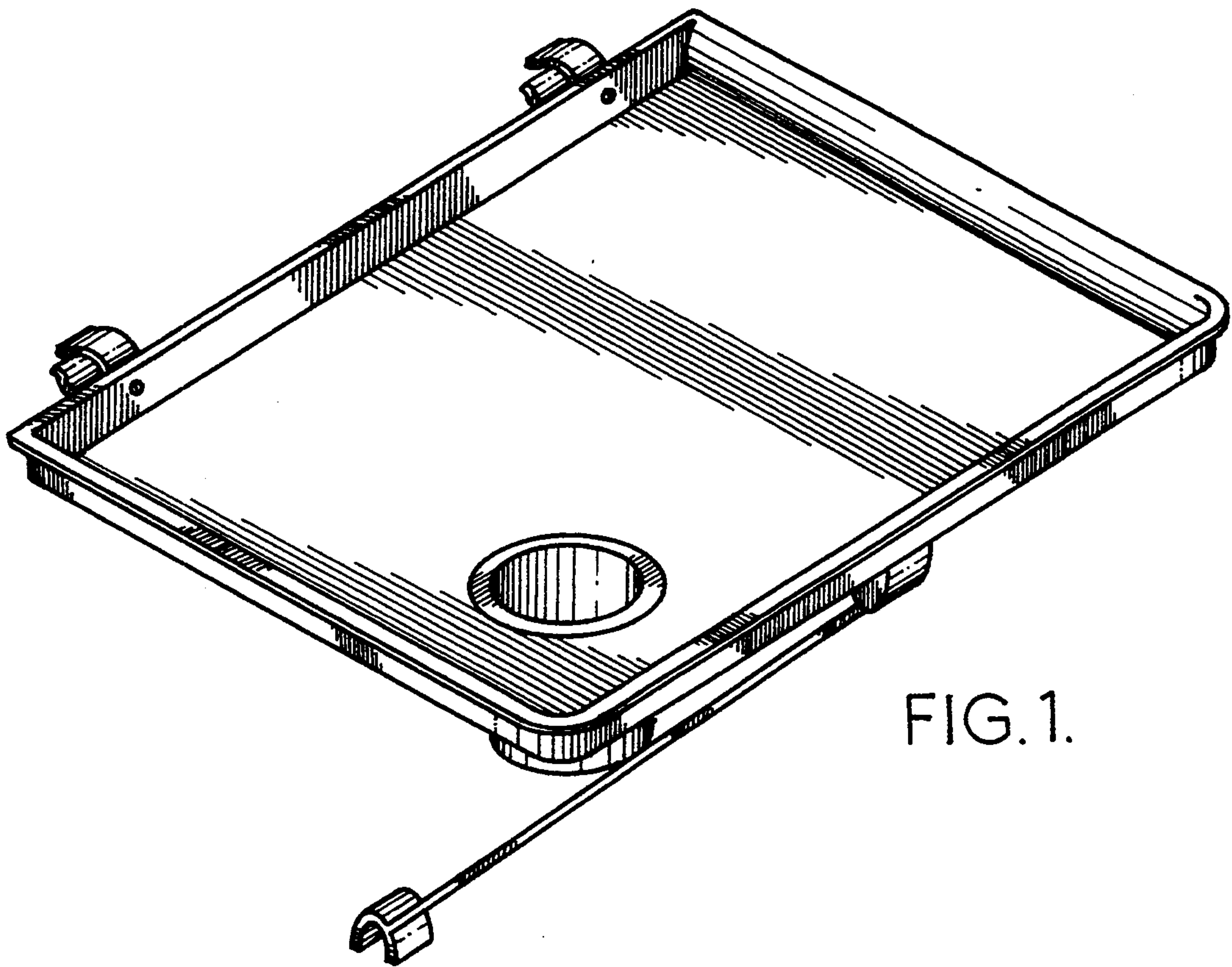


FIG. 1.

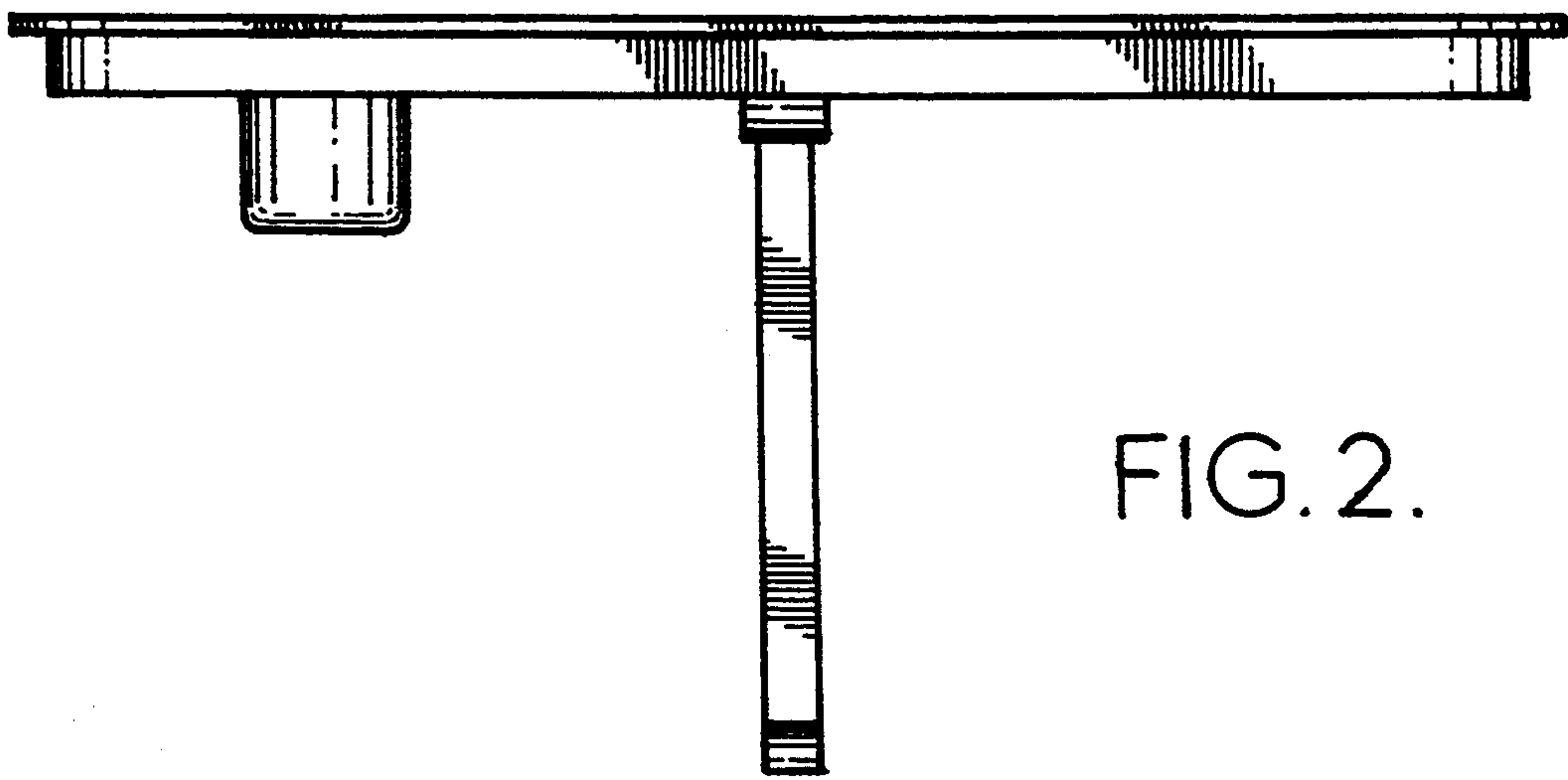


FIG. 2.

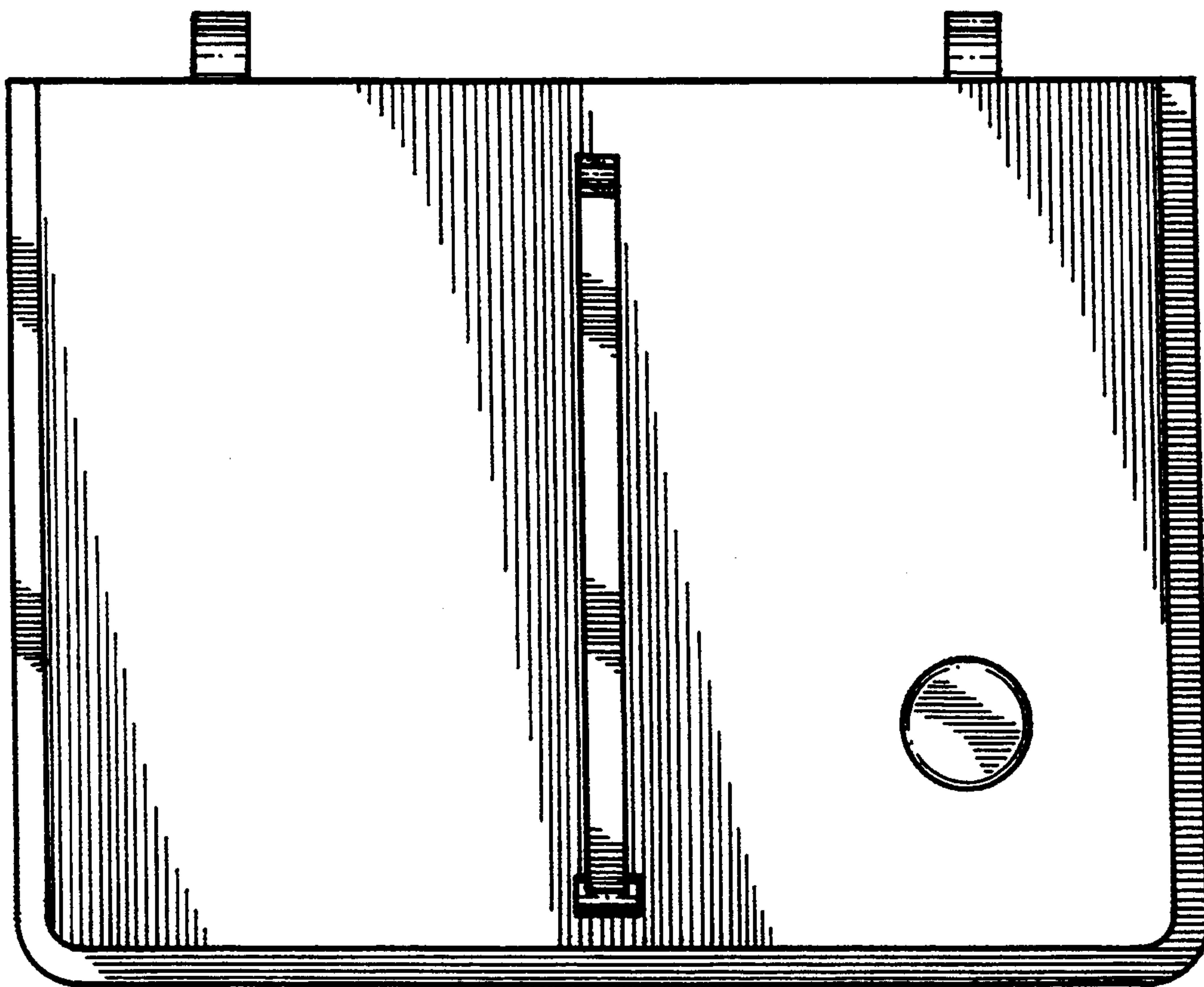


FIG. 6.

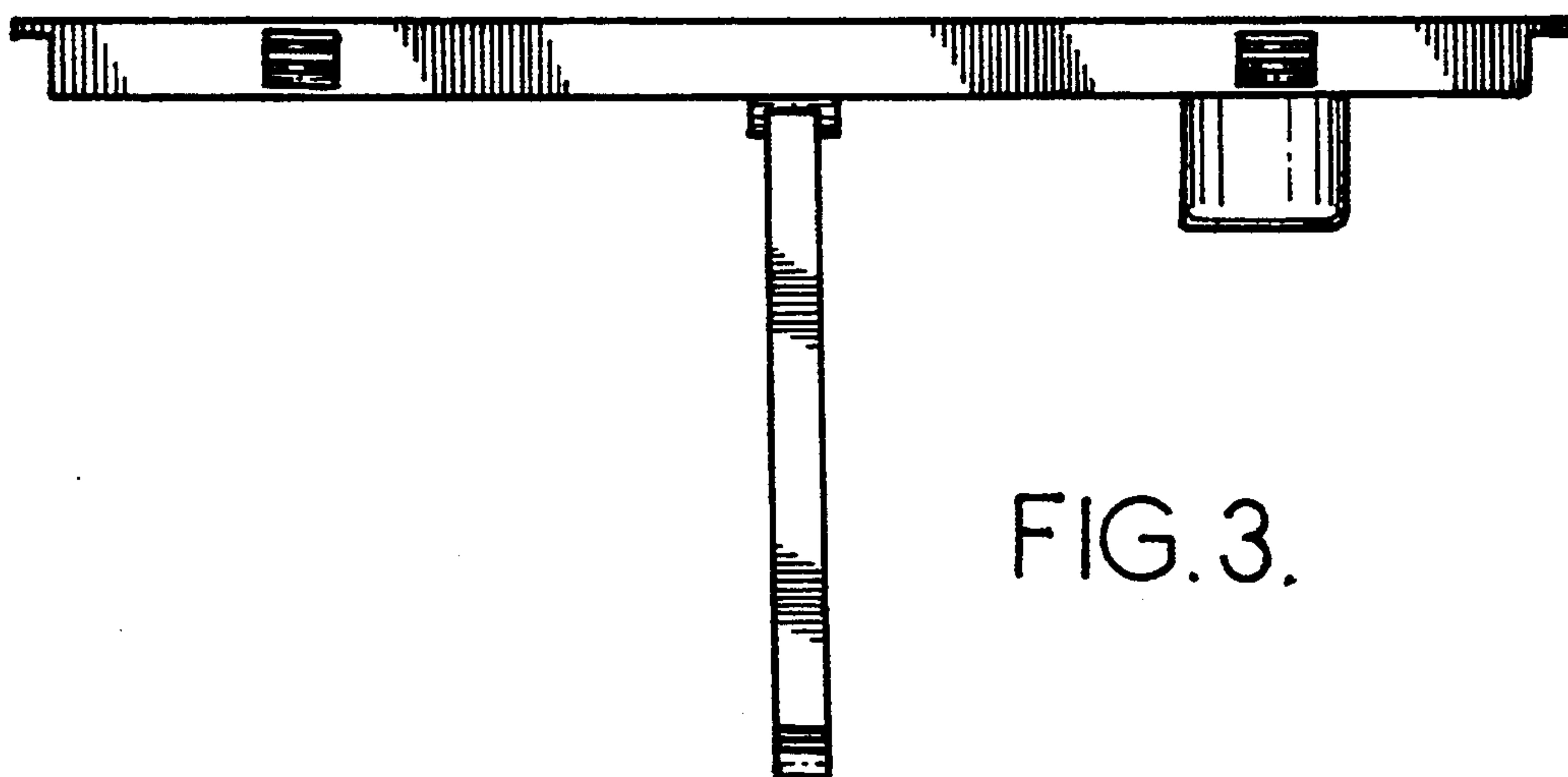


FIG. 3.

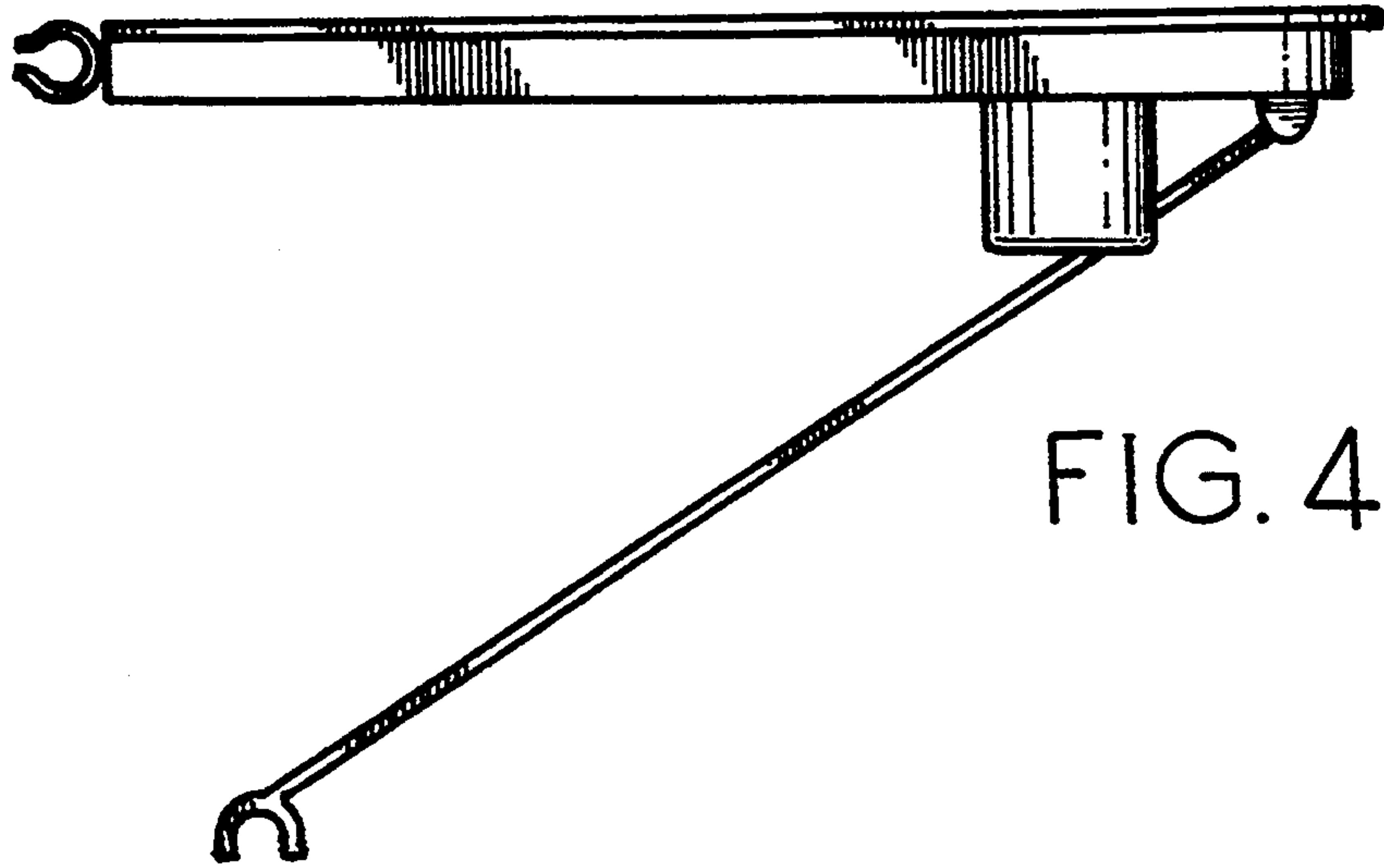


FIG. 4.

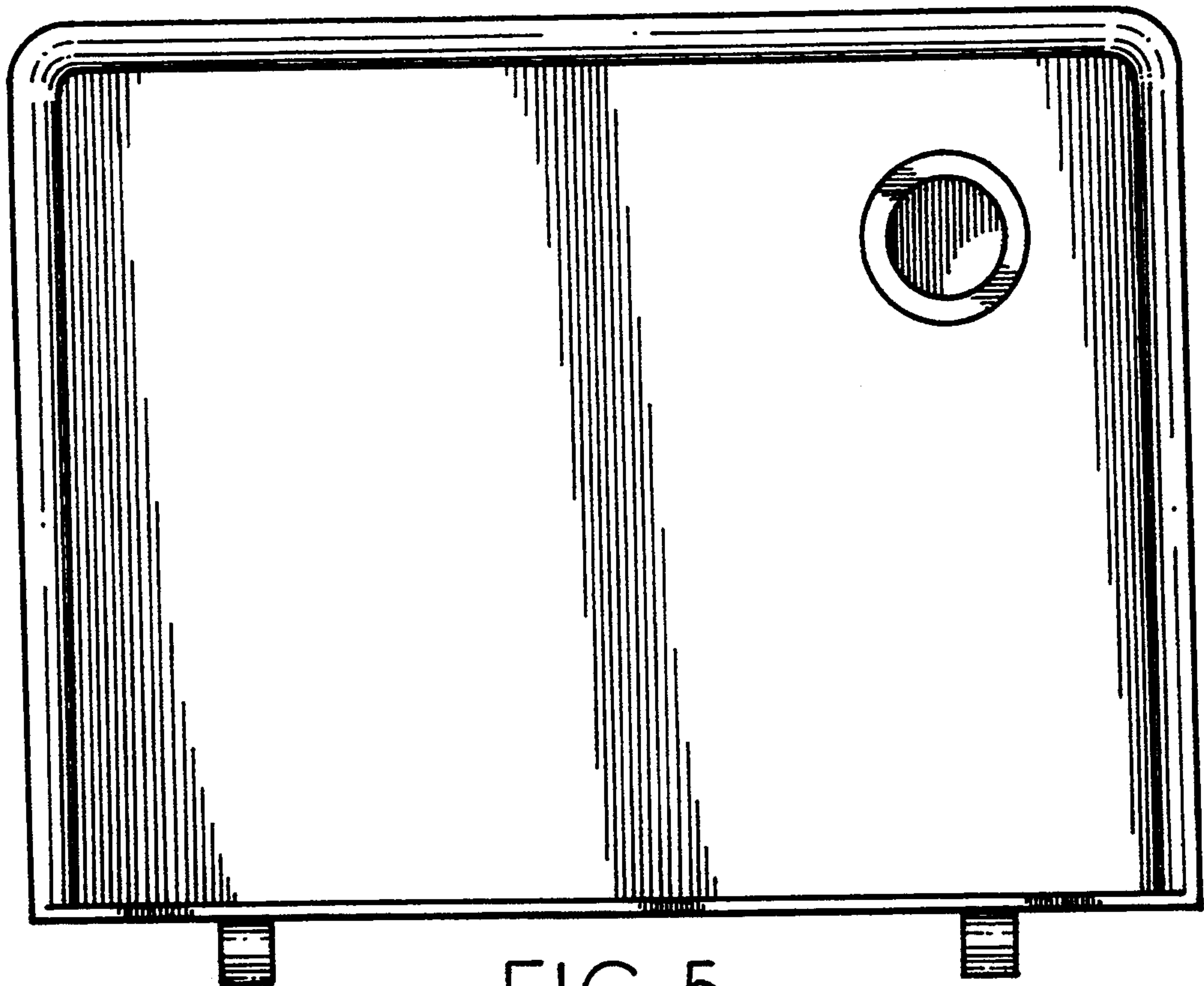


FIG. 5.