



US00D353120S

United States Patent [19]

[11] Patent Number: **Des. 353,120**

Pandel

[45] Date of Patent: **** Dec. 6, 1994**

[54] **EARRING**

- D. 308,650 6/1990 Bulgari D11/42
- D. 308,838 6/1990 Bulgari D11/42
- D. 313,202 12/1990 Bulgari D11/42
- D. 320,951 10/1991 Bulgari D11/42

[75] Inventor: **Christiane Pandel, Chambesy, Switzerland**

[73] Assignee: **Rolex Watch U.S.A., Inc., New York, N.Y.**

Primary Examiner—Ralf T. Seifert
Attorney, Agent, or Firm—Kane, Dalsimer, Sullivan, Kurucz, Levy, Eisele and Richard

[**] Term: **14 Years**

[57] **CLAIM**

[21] Appl. No.: **4,732**

The ornamental design for an earring, as shown and described.

[22] Filed: **Feb. 11, 1993**

[52] U.S. Cl. **D11/42; D11/40**

DESCRIPTION

[58] Field of Search 63/1.1, 2, 12-14.8, 63/18-21, 23; D11/1, 2, 3, 41, 42-44, 47, 56, 48, 75, 79-81, 89, 99, 102, 213

FIG. 1 is a front perspective view of an earring showing my new design;

FIG. 2 is a front plan view thereof;

FIG. 3 is a rear plan view thereof;

FIG. 4 is a top plan view thereof;

FIG. 5 is a bottom plan view thereof;

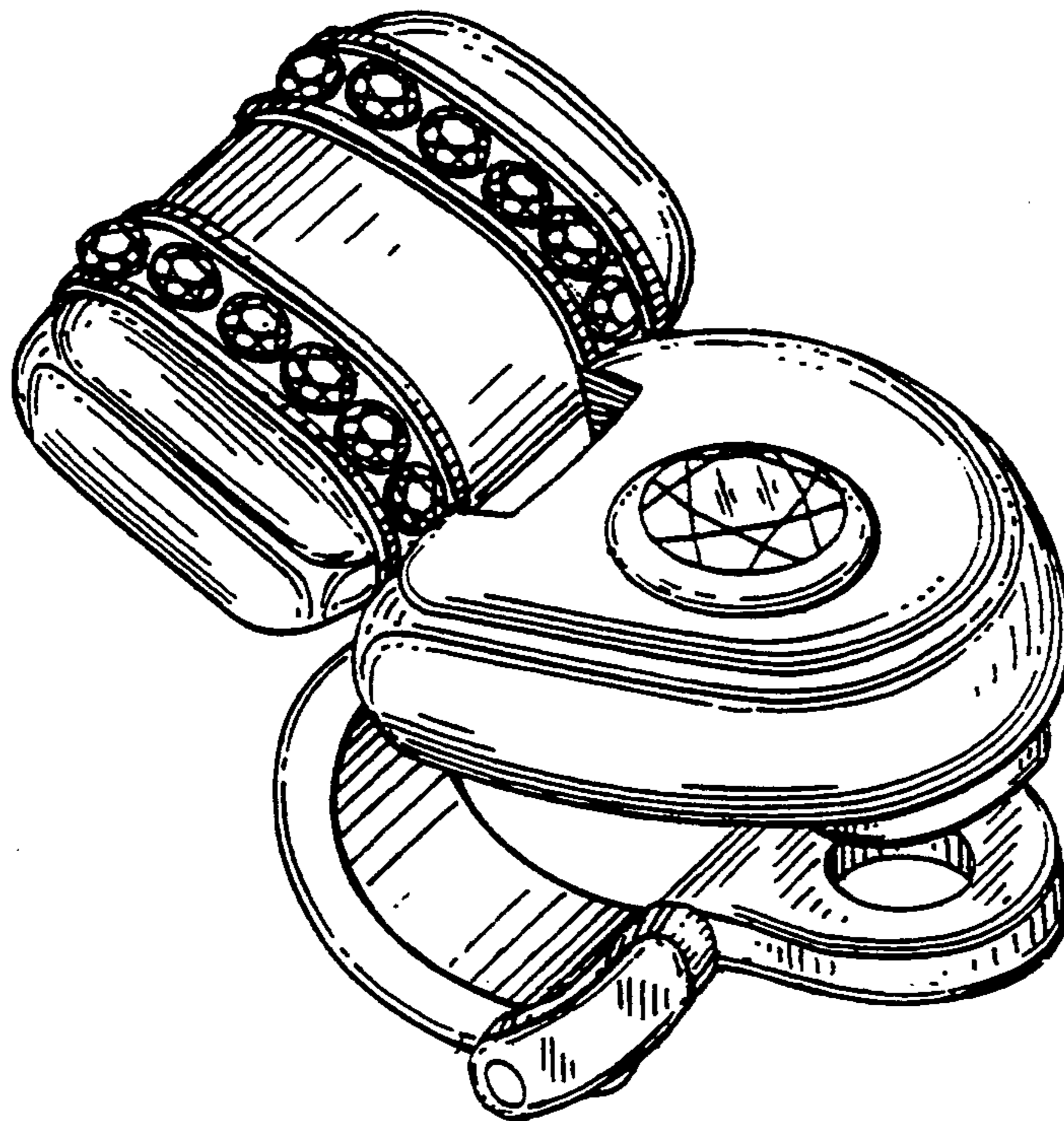
FIG. 6 is a right plan view thereof; and,

FIG. 7 is a left plan view thereof.

[56] **References Cited**

U.S. PATENT DOCUMENTS

- D. 293,899 1/1988 Bulgari D11/43
- D. 294,473 3/1988 Bulgari D11/43



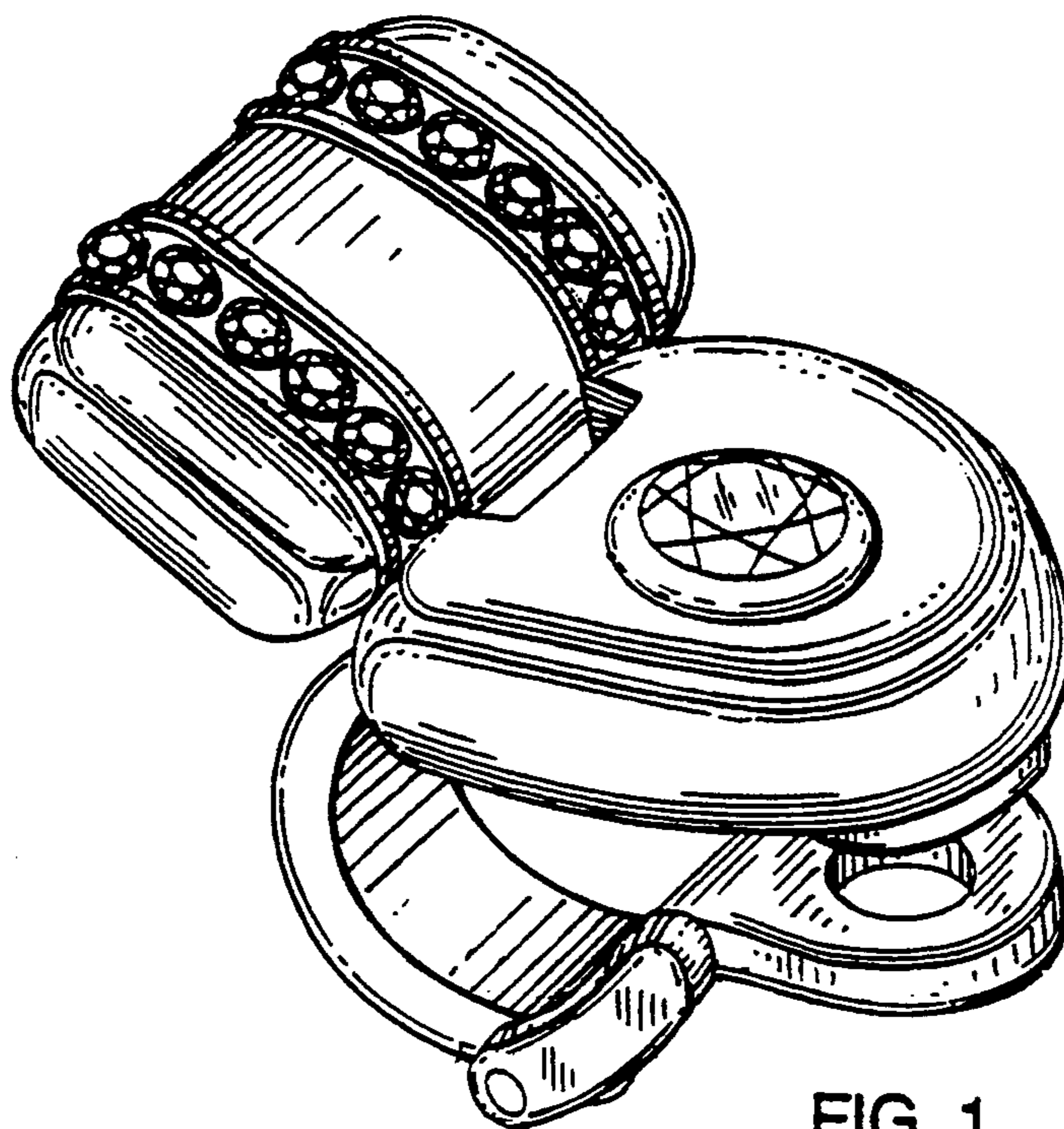


FIG. 1

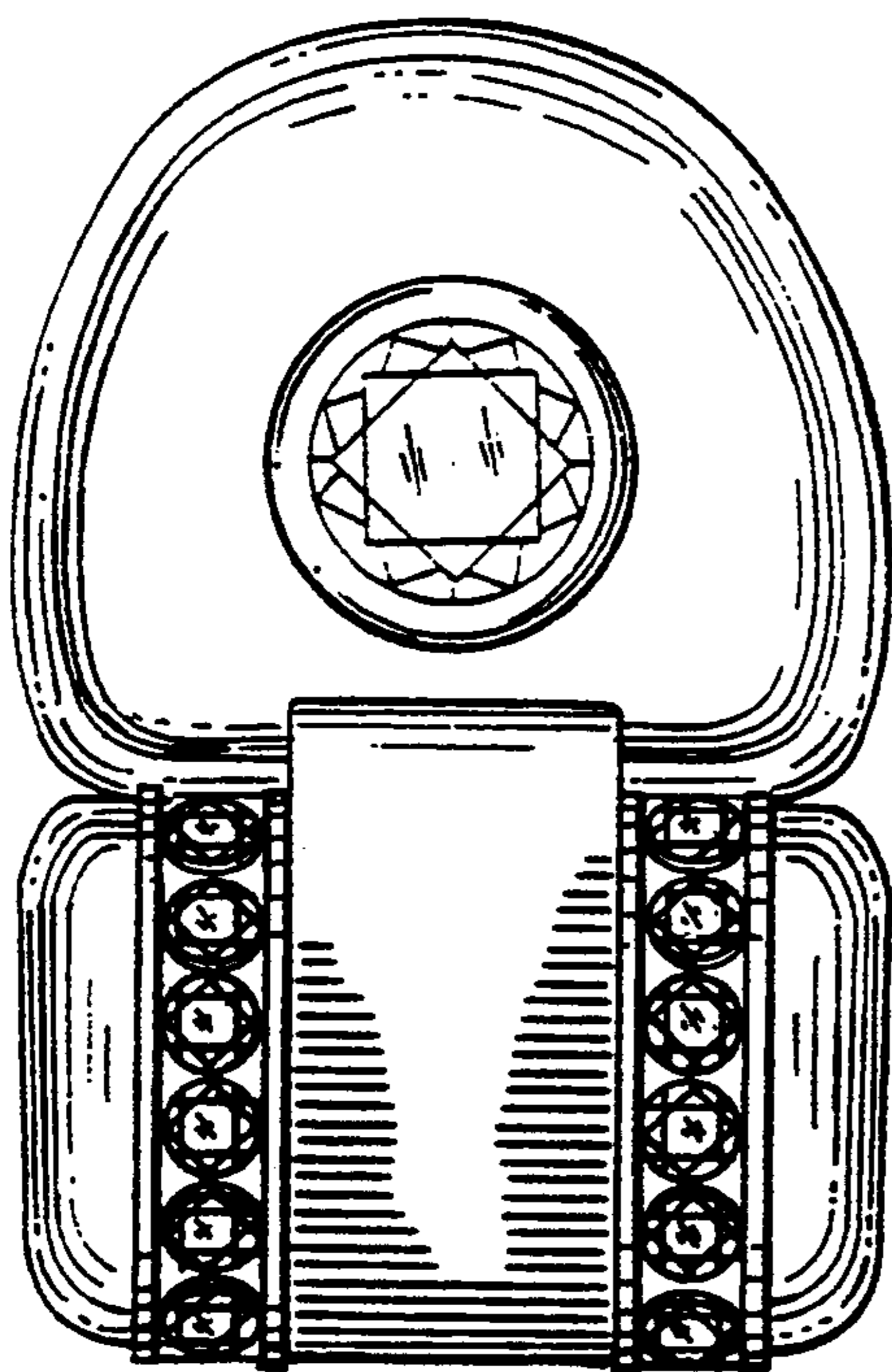


FIG. 2

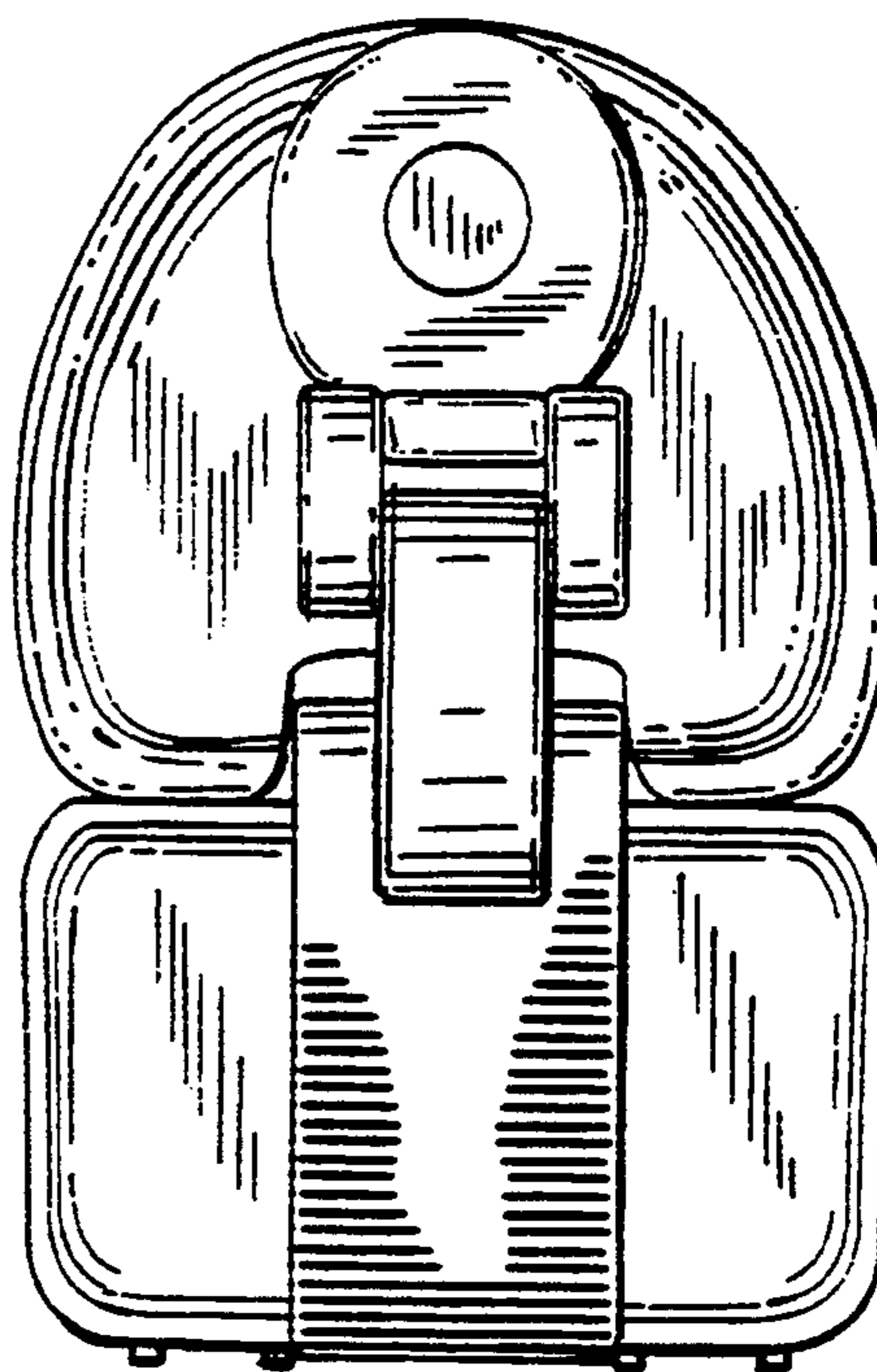
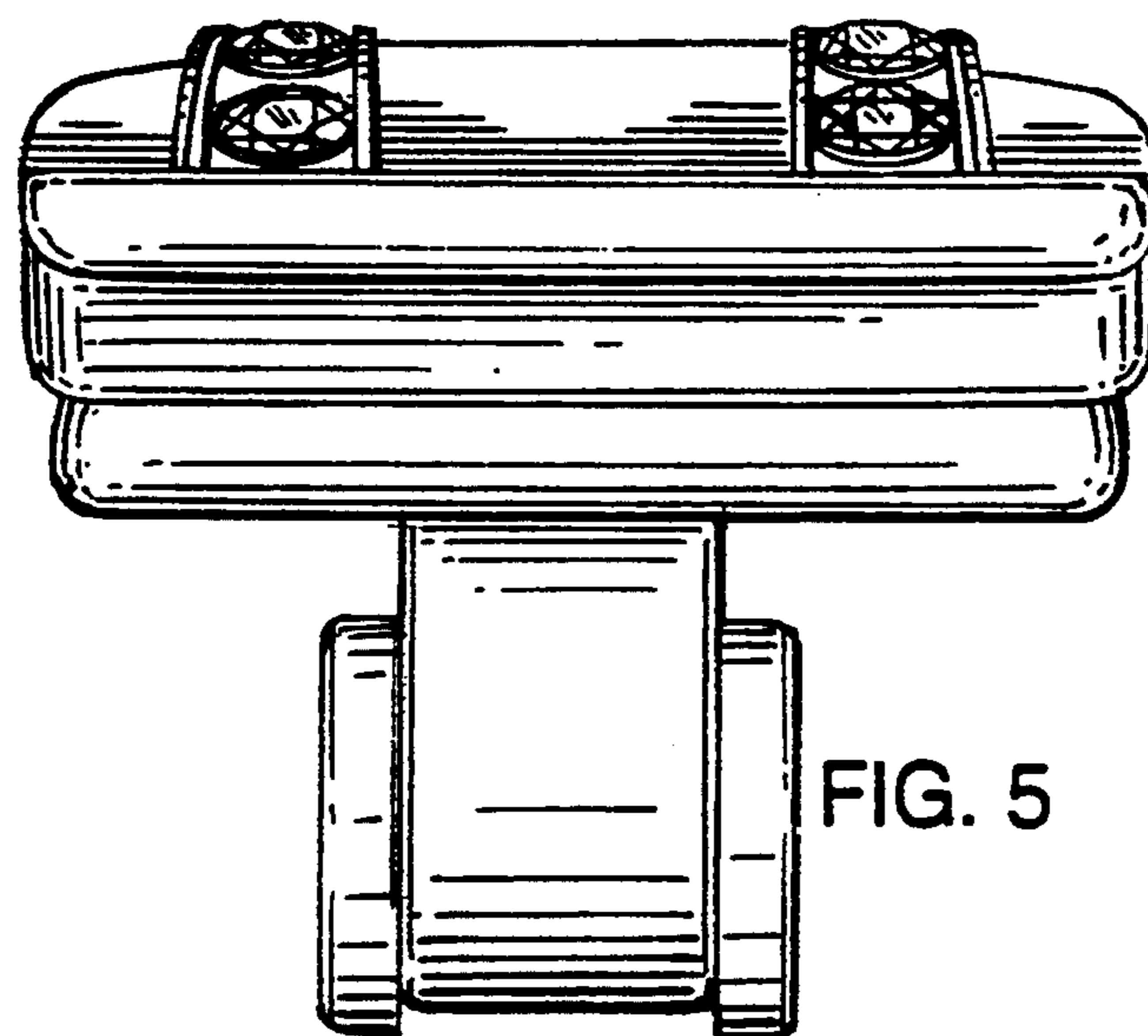
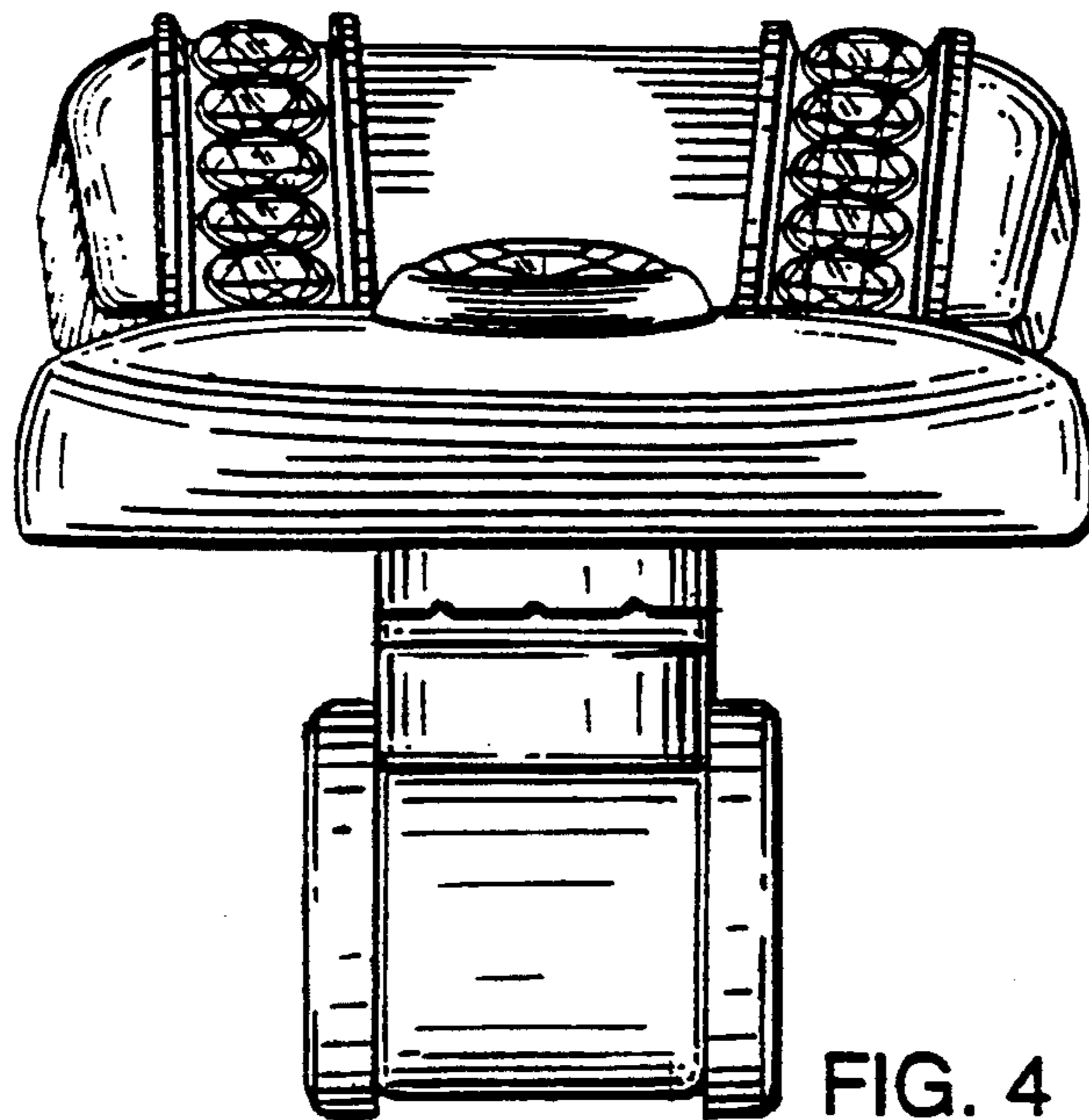


FIG. 3



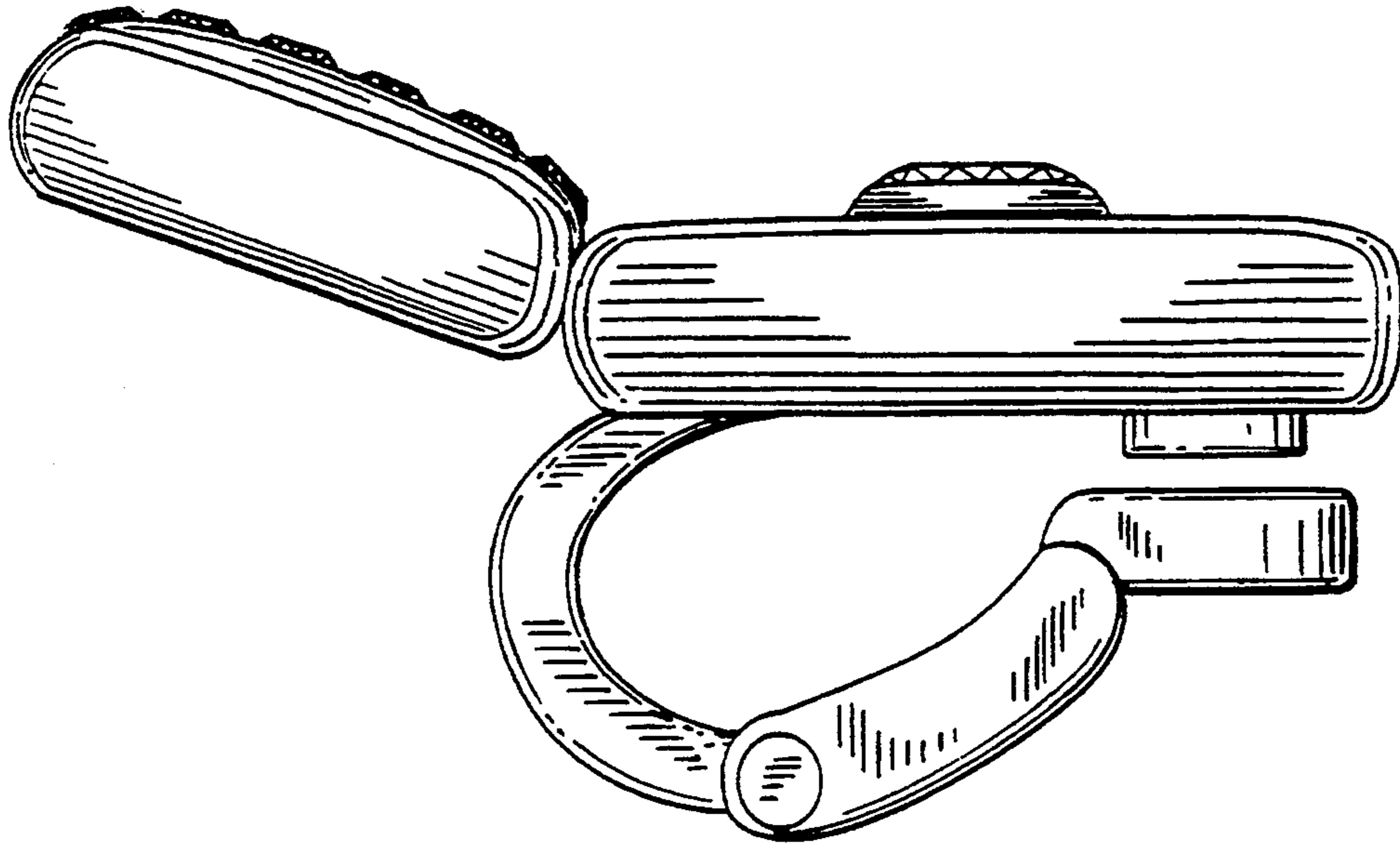


FIG. 6

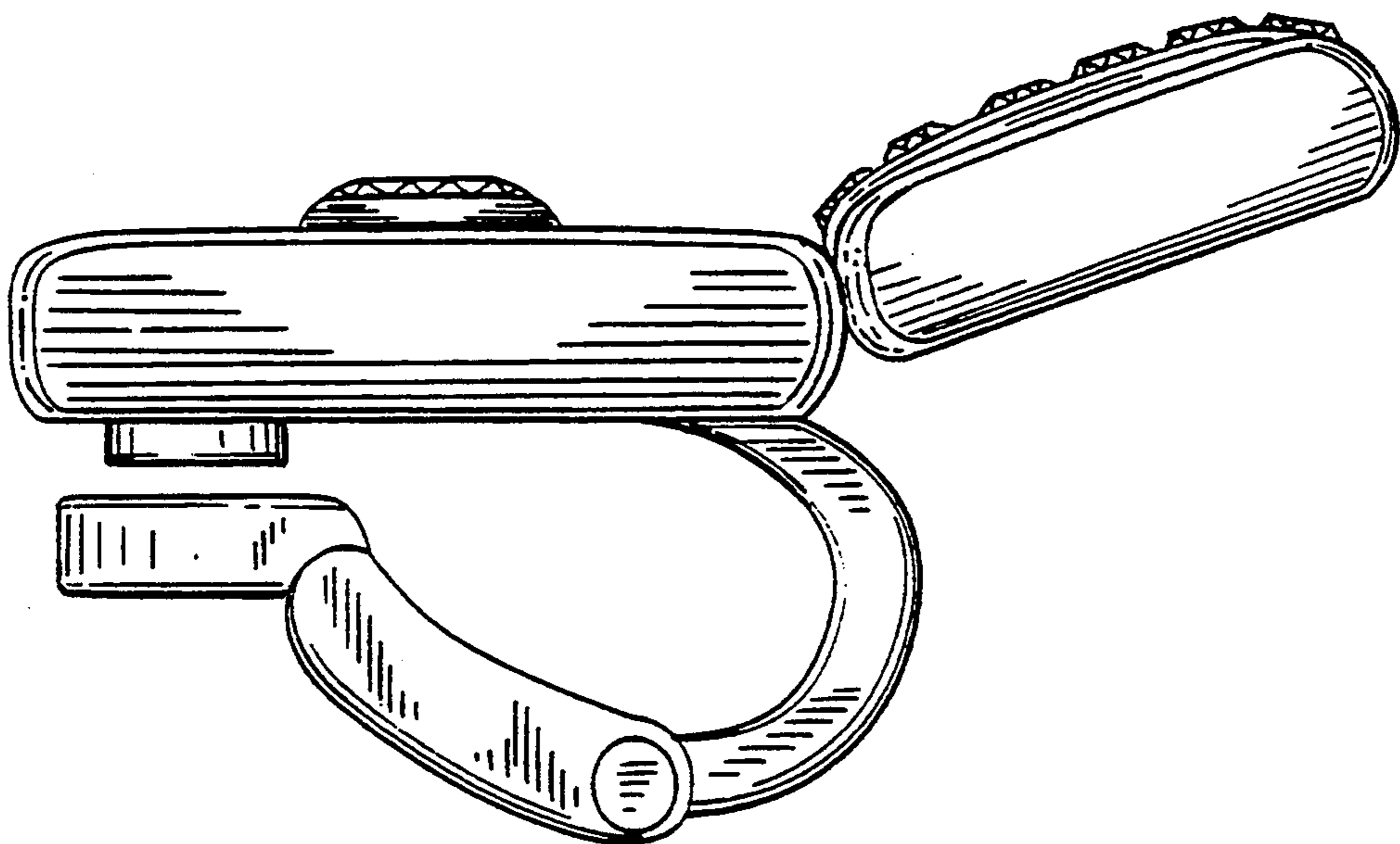


FIG. 7