



US00D353114S

United States Patent [19]

[11] Patent Number: Des. 353,114

Tsung-Fu

[45] Date of Patent: ** Dec. 6, 1994

[54] AUTOMOBILE SECURITY ALARM

[76] Inventor: Hsiao Tsung-Fu, 8th Fl., 48-1, Ai Szu Road, Keelung, Taiwan, Prov. of China

[**] Term: 14 Years

[21] Appl. No.: 844,706

[22] Filed: Mar. 4, 1992

[52] U.S. Cl. D10/106

[58] Field of Search 340/321, 328, 542, 565, 340/566, 571, 572, 573; D10/104, 106, 121

[56] **References Cited**

U.S. PATENT DOCUMENTS

D. 280,307	8/1985	Kunimune	D10/106
D. 283,806	5/1986	Harris	D10/106
D. 286,514	11/1986	Spang	D10/106
D. 294,231	2/1988	Cameron, Jr. et al.	D10/106
D. 316,378	4/1991	Ziantonio	D10/106
3,873,966	3/1975	Tanner	340/545

Primary Examiner—Wallace R. Burke

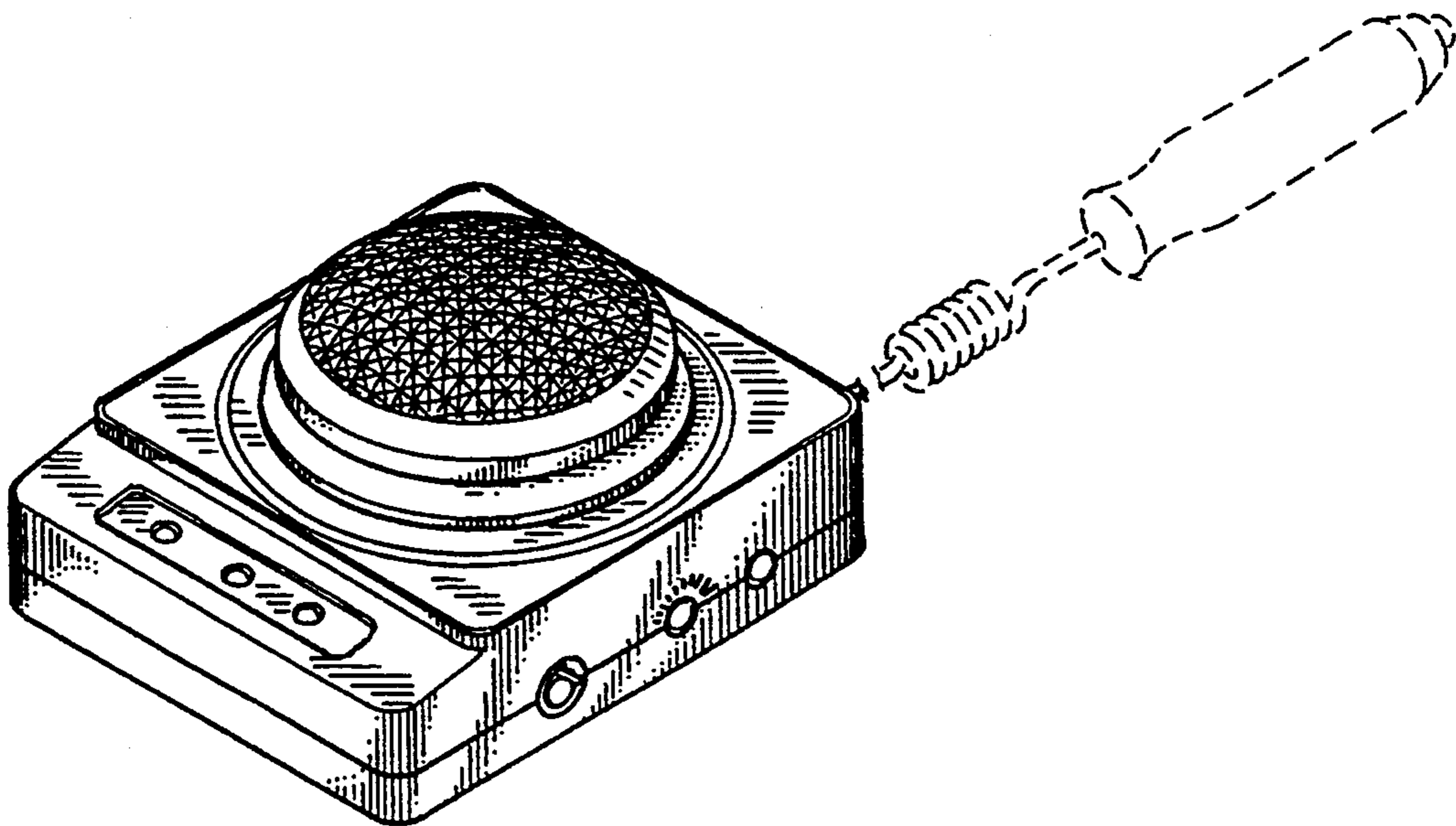
Assistant Examiner—Marcus Jackson
Attorney, Agent, or Firm—Bacon & Thomas

[57] **CLAIM**

The ornamental design for an automobile security alarm, as shown and described.

DESCRIPTION

FIG. 1 is a front elevational view of my design for an automobile security alarm;
 FIG. 2 is a rear elevational view thereof;
 FIG. 3 is a right side elevational view thereof;
 FIG. 4 is a left side elevational view thereof;
 FIG. 5 is a top plan view thereof;
 FIG. 6 is a bottom plan view thereof;
 FIG. 7 is a perspective view thereof, with the cord broken away to indicate indeterminate length and with the broken line of the adaptor showing for illustrative purposes only and forming no part of the claimed design; and,
 FIG. 8 is a perspective view thereof, with the adaptor, lock ring and transmitter showing for illustrative purposes only and forming no part of the claimed design.



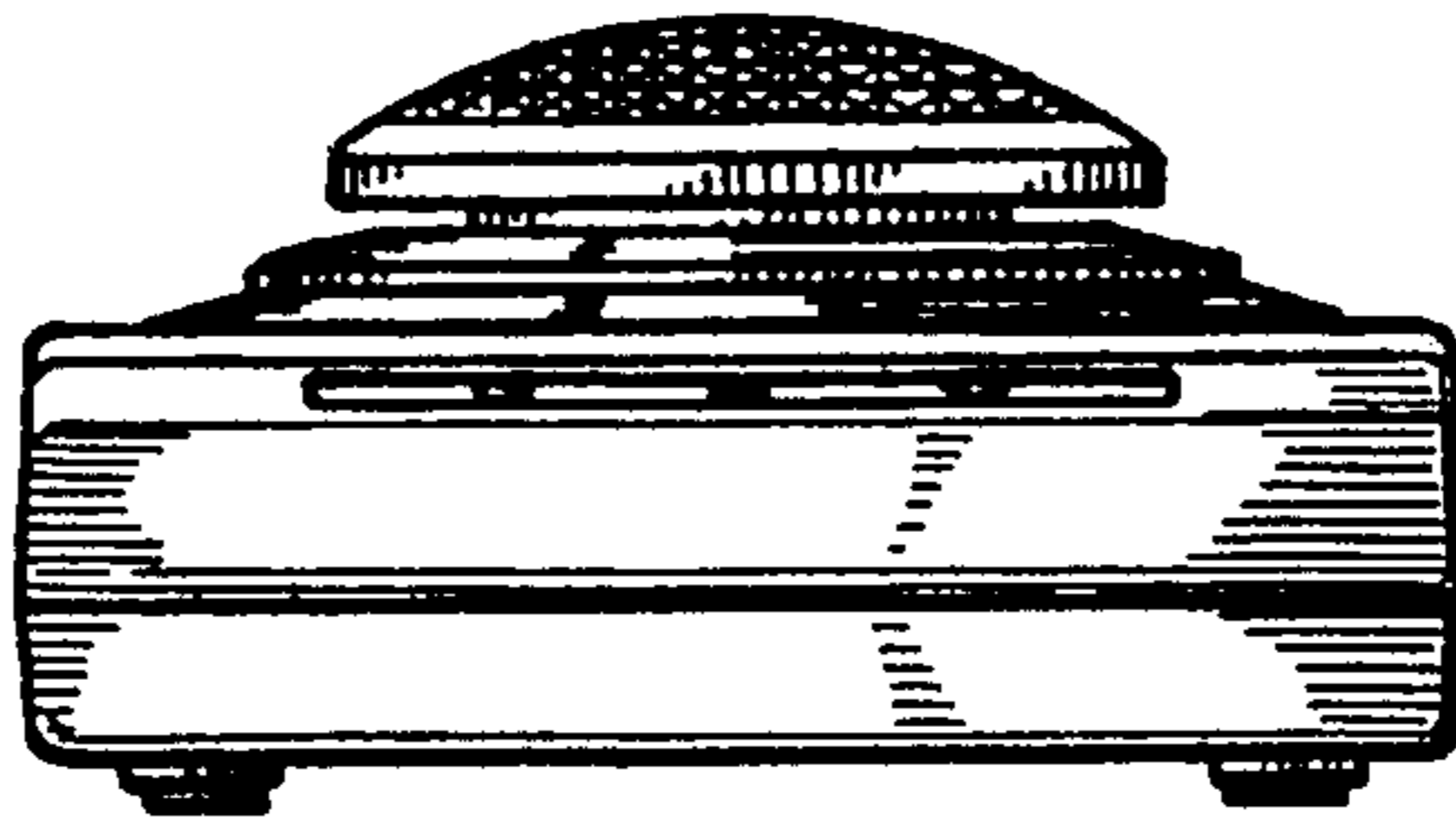


FIG. 1.

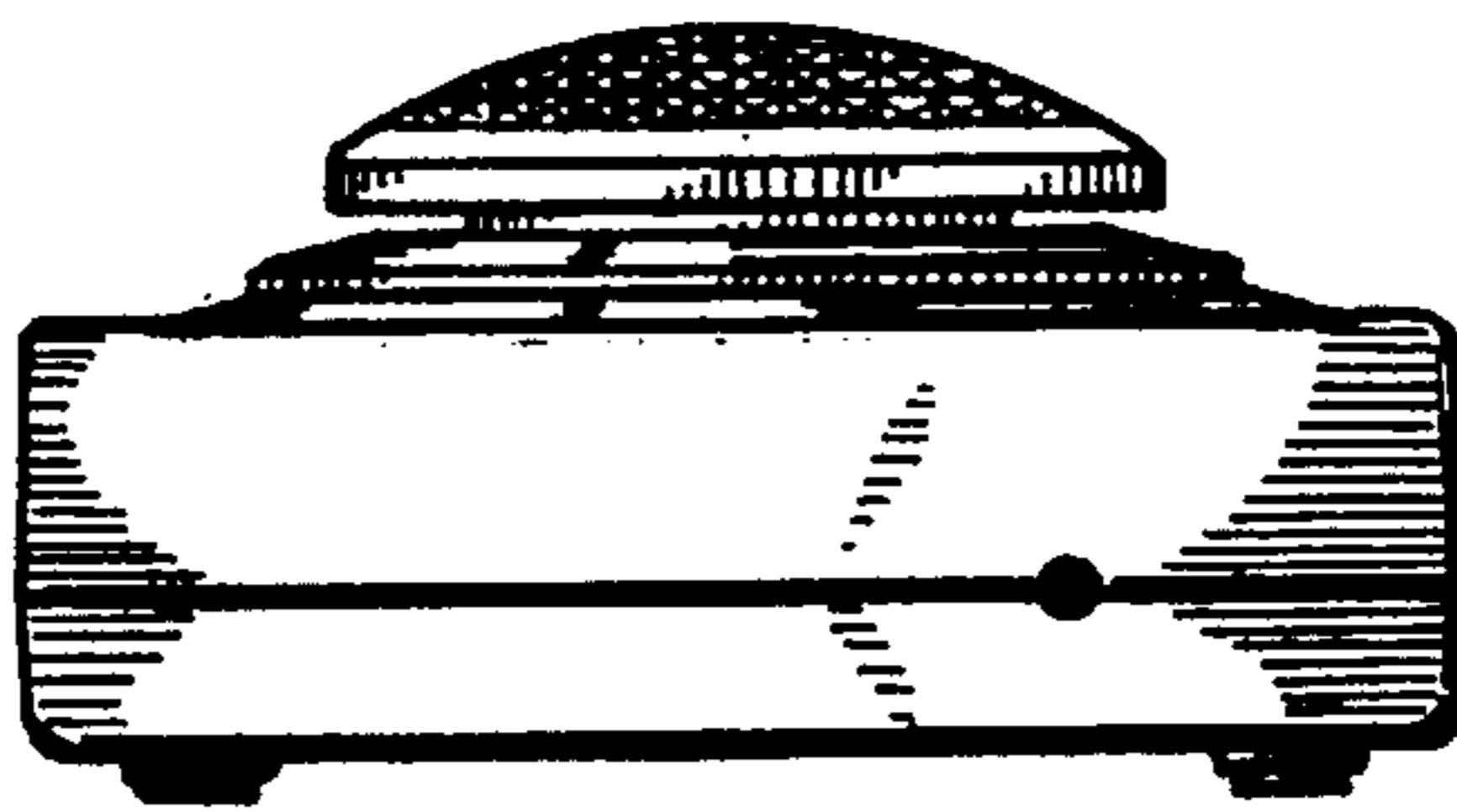


FIG. 2.

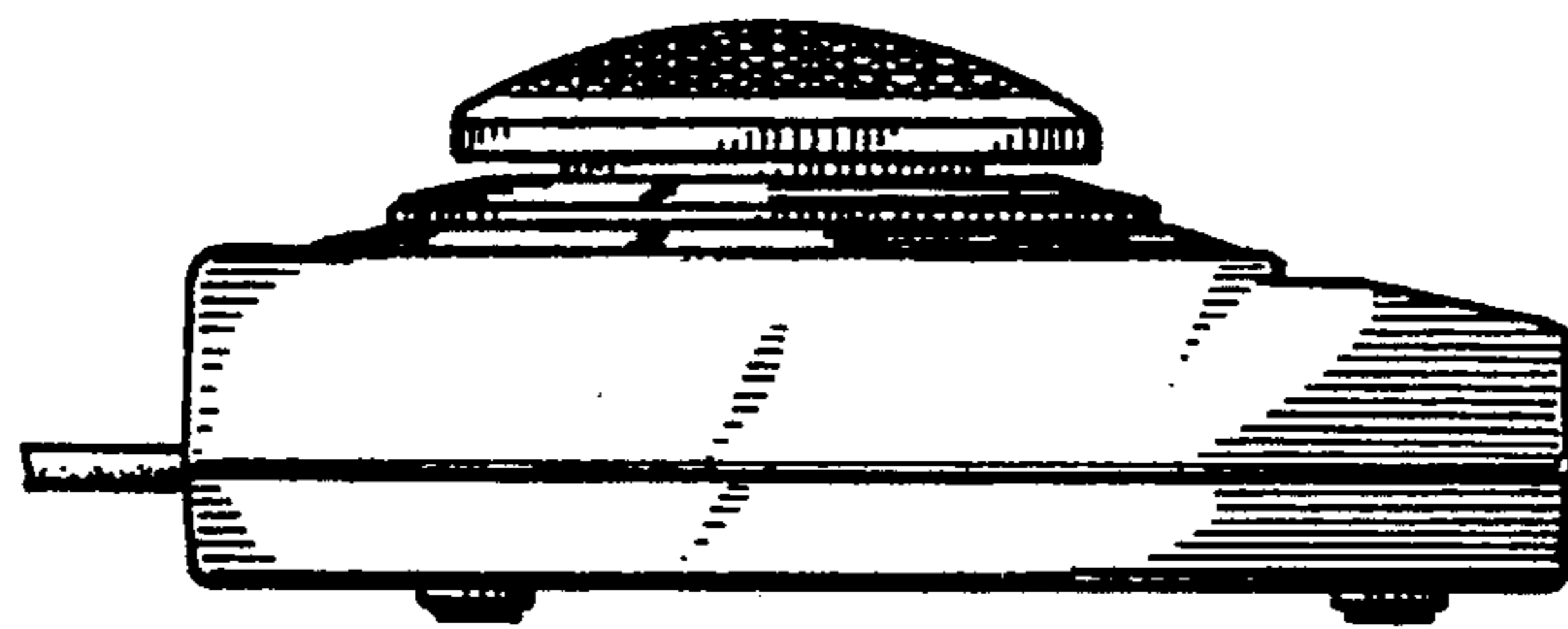


FIG. 3.

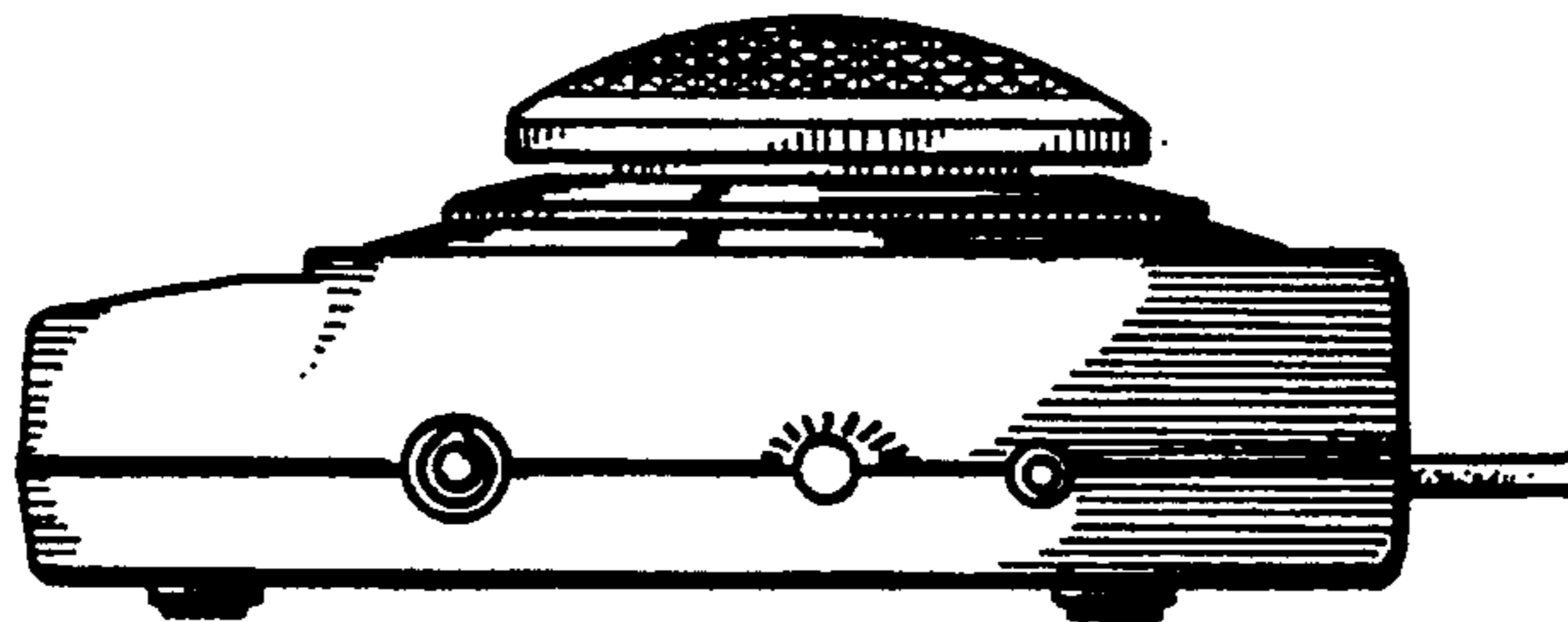


FIG. 4.

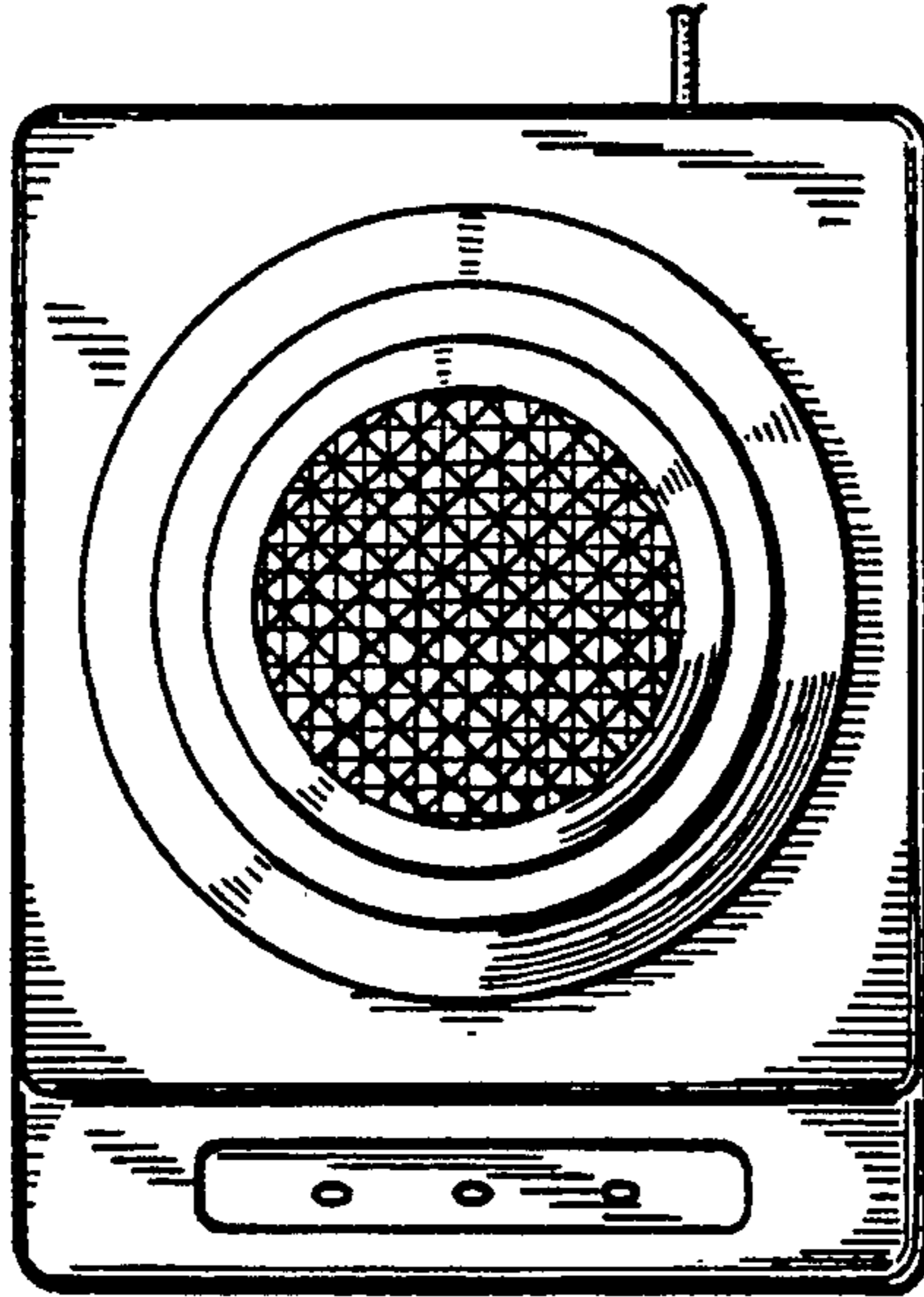


FIG. 5.

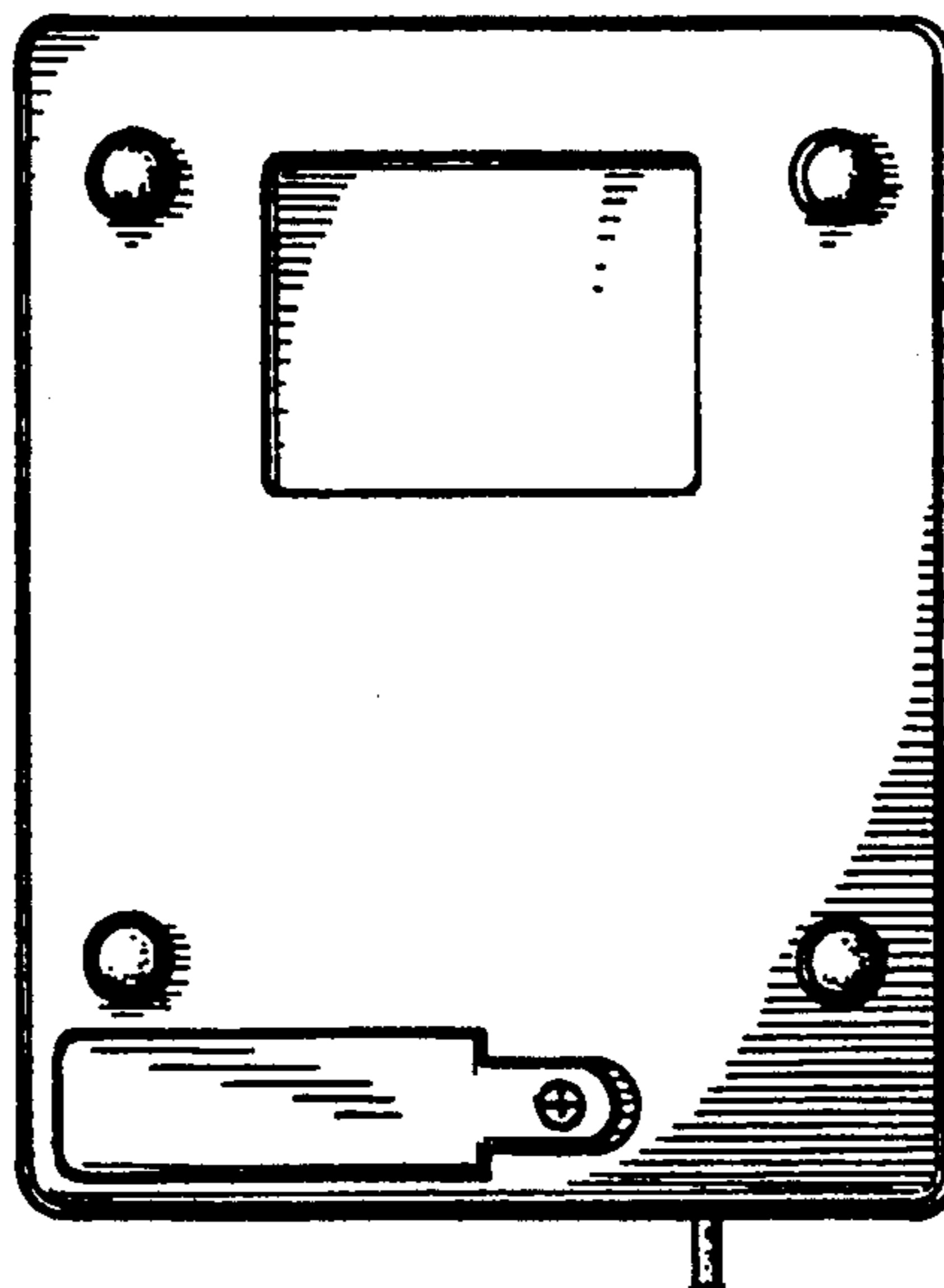


FIG. 6.

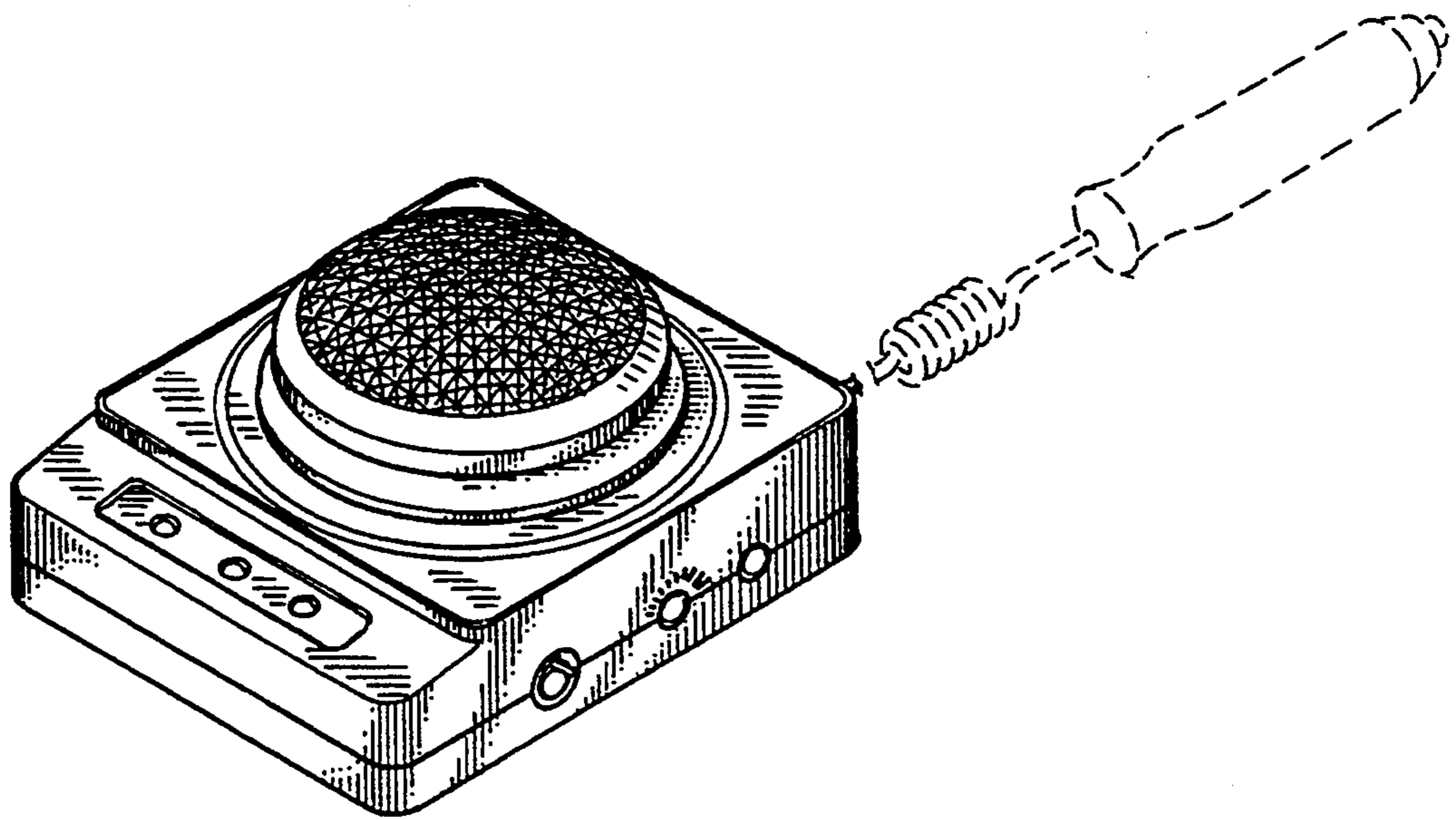


FIG. 7.

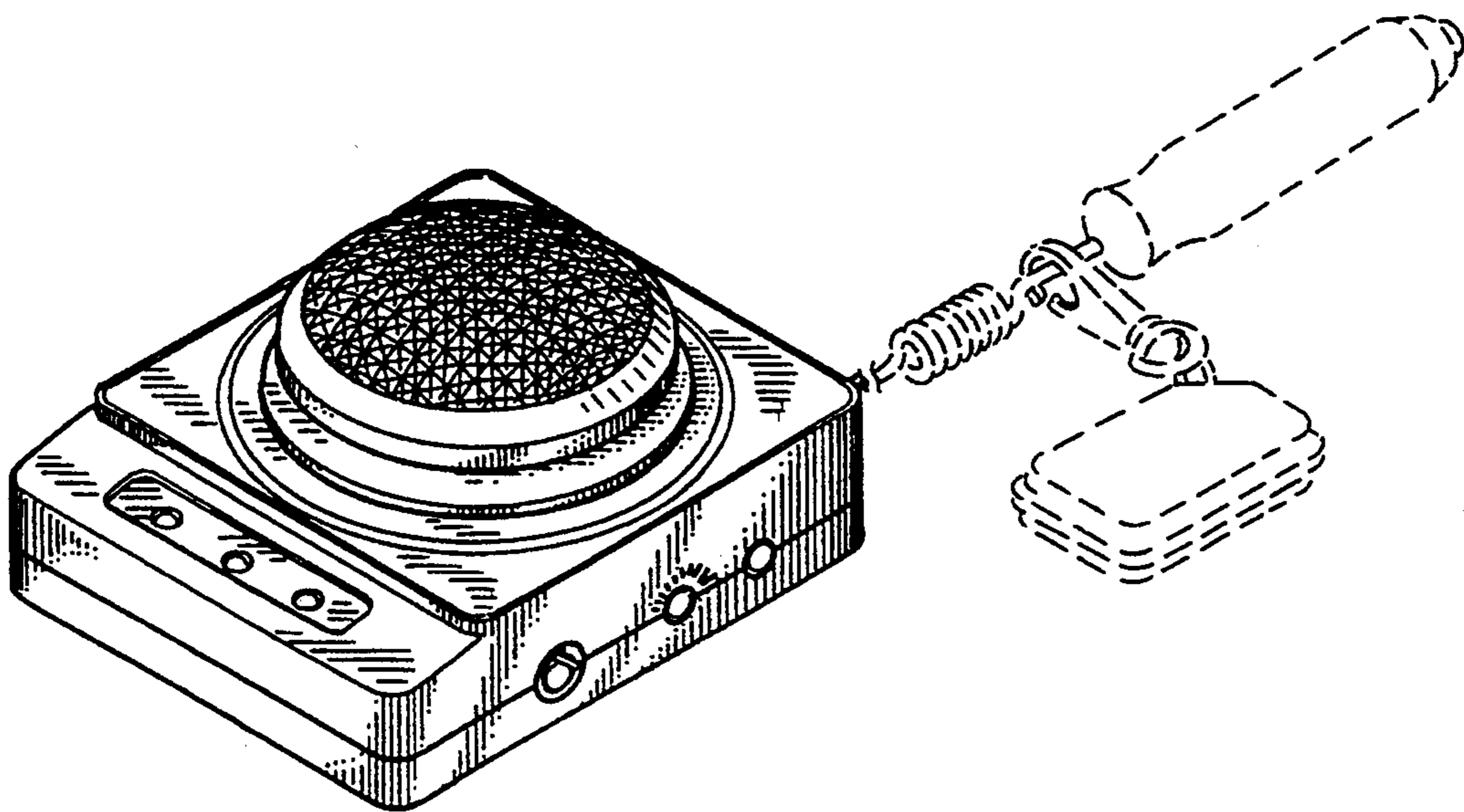


FIG. 8.