



US00D353113S

# United States Patent [19]

[11] Patent Number: **Des. 353,113**

**Cook-Martin**

[45] Date of Patent: **\*\* Dec. 6, 1994**

[54] **PRESSURE GAUGE**

[56] **References Cited**

[75] Inventor: **David Cook-Martin**, Rossendale, England

**U.S. PATENT DOCUMENTS**

- D. 153,639 5/1949 Rupley ..... D10/85
- D. 156,571 12/1949 Snow ..... D10/85 X
- D. 224,806 9/1972 Zuck ..... D10/85
- D. 253,811 1/1980 Bljumshtein et al. .... D10/85
- D. 337,537 7/1993 Reed ..... D10/83

[73] Assignee: **Unitab Holdings Limited**, Blackburn, England

*Primary Examiner*—Alan P. Douglas  
*Assistant Examiner*—Antoine D. Davis  
*Attorney, Agent, or Firm*—Volpe and Koenig

[\*\*] Term: **14 Years**

[57] **CLAIM**

[21] Appl. No.: **8,411**

The ornamental design for a pressure gauge, as shown.

[22] Filed: **May 14, 1993**

**DESCRIPTION**

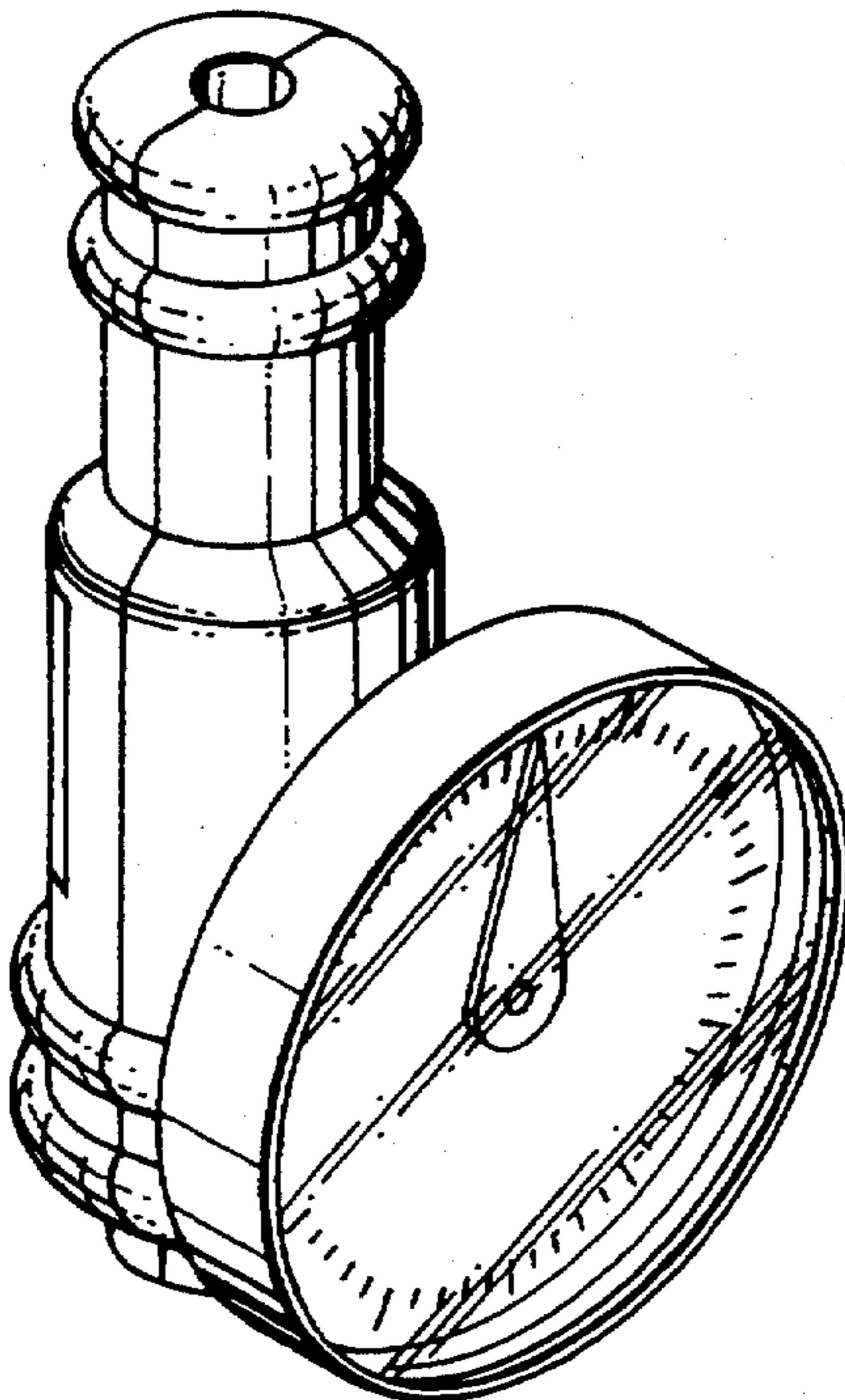
[30] **Foreign Application Priority Data**

Nov. 17, 1992 [GB] United Kingdom ..... 2027132

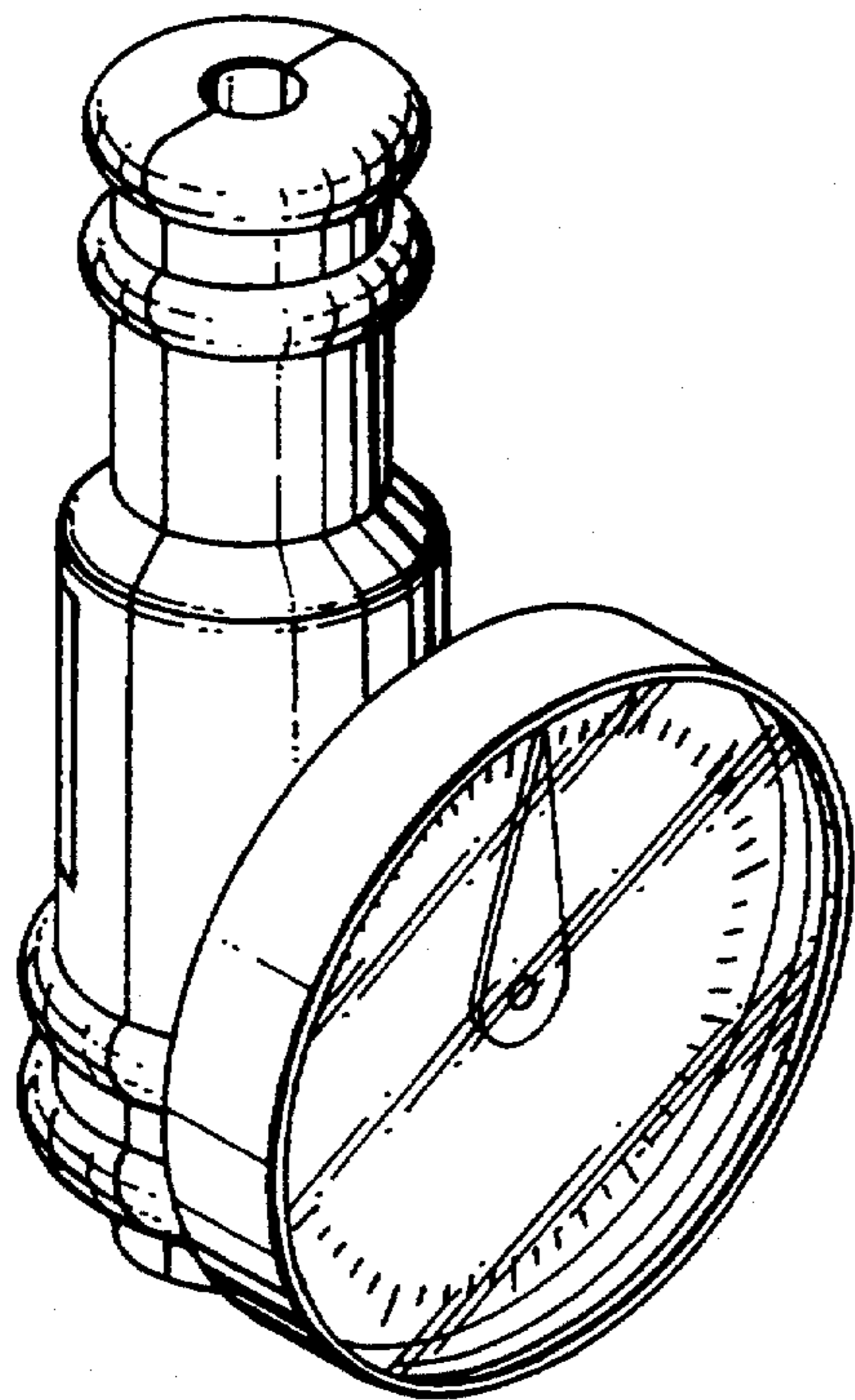
[52] U.S. Cl. .... **D10/85**

[58] Field of Search ..... 73/12, 789, 790, 796, 73/431; D10/83, 84, 85

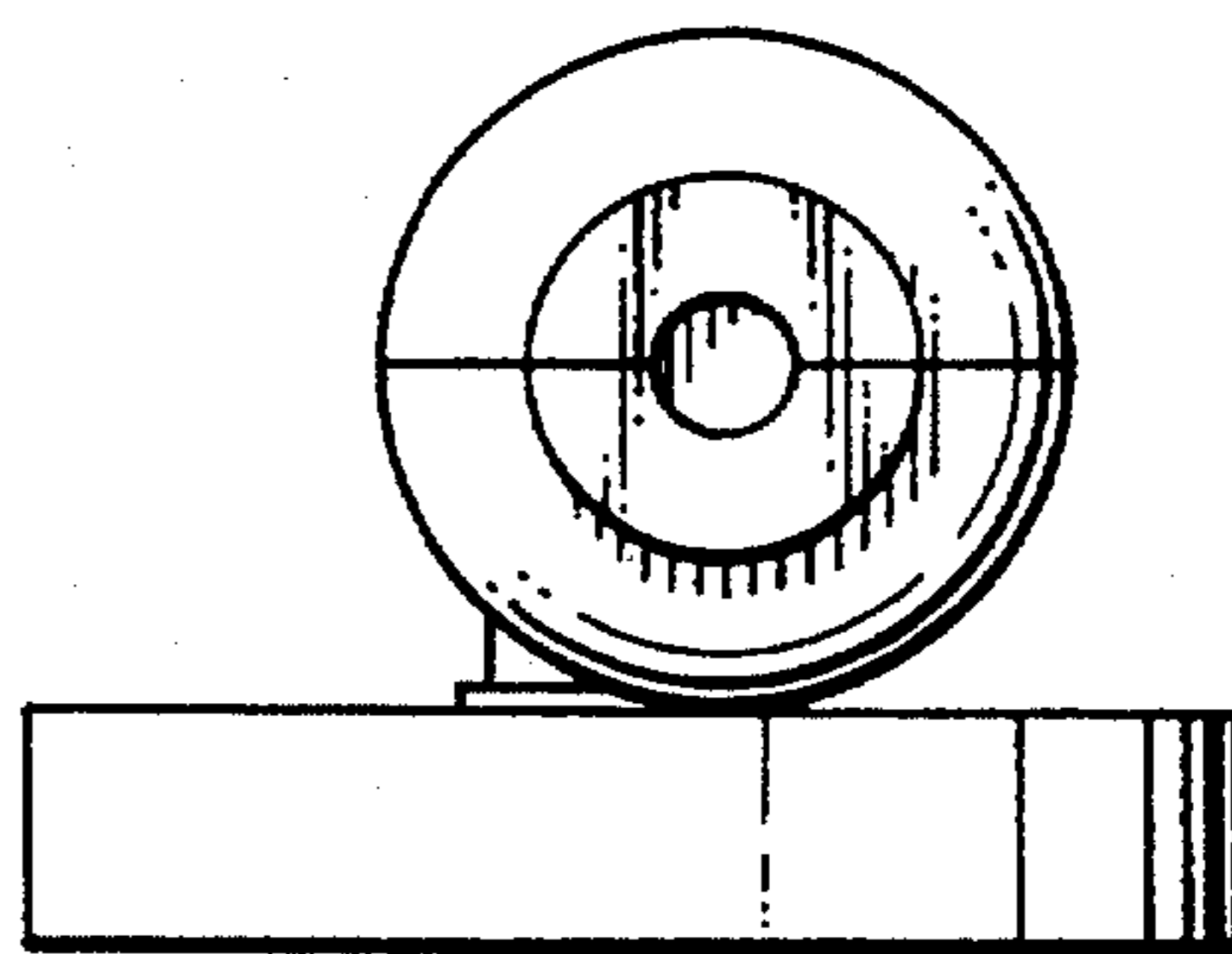
FIG. 1 is a perspective view of the pressure gauge from the front, one side and above;  
FIG. 2 is an underneath view of the pressure gauge;  
FIG. 3 is a view of the pressure gauge from the other side; and,  
FIG. 4 is a rear view of the pressure gauge.



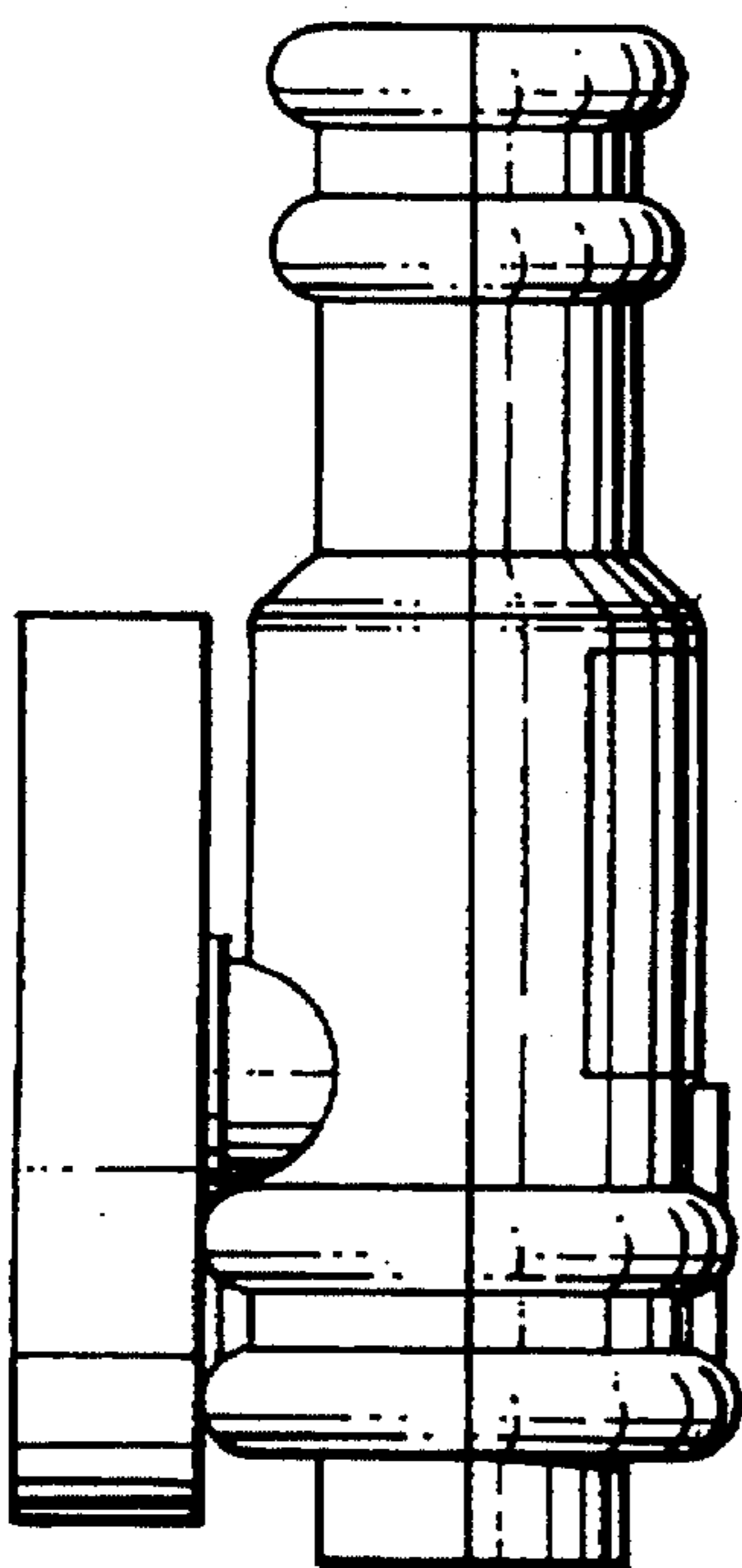
*Fig. 1*



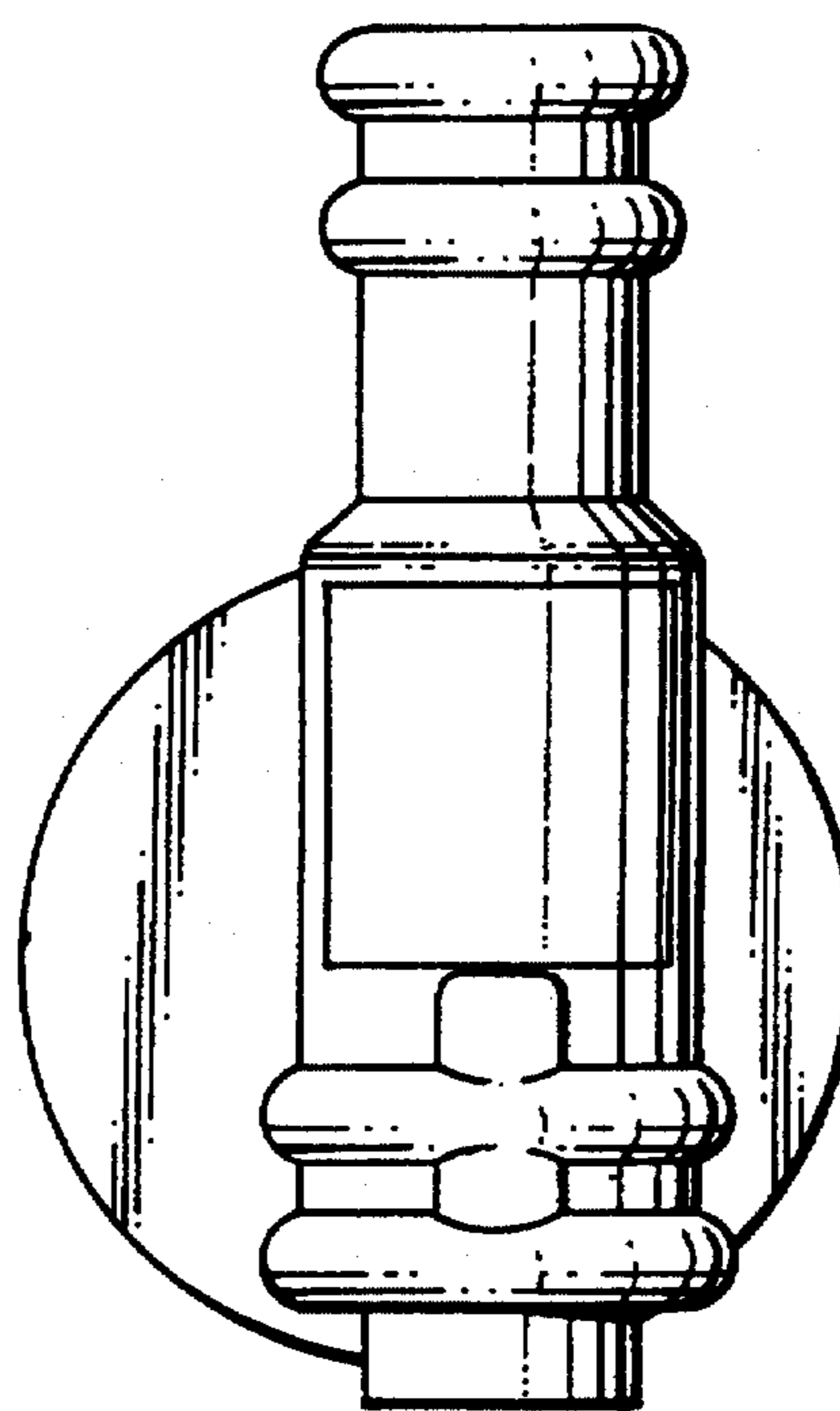
*Fig. 2*



*Fig. 3*



*Fig. 4*



UNITED STATES PATENT AND TRADEMARK OFFICE  
CERTIFICATE OF CORRECTION

PATENT NO. : Des. 353,113  
DATED : December 6, 1994  
INVENTOR(S) : DAVID COOK-MARTIN

It is certified that error appears in the above-identified patent and that said Letters Patent is hereby corrected as shown below:

ON THE TITLE PAGE , ITEM [73]

Delete "Unitab" and insert therefor --Unilab--.

Signed and Sealed this  
Eleventh Day of April, 1995

Attest:



BRUCE LEHMAN

Attesting Officer

Commissioner of Patents and Trademarks