



US00D353111S

United States Patent [19]

[11] Patent Number: Des. 353,111

Meador

[45] Date of Patent: ** Dec. 6, 1994

[54] CARPENTER'S SQUARE

OTHER PUBLICATIONS

[76] Inventor: Steven C. Meador, 5015 Pappas Dr., Indianapolis, Ind. 46237

Starrett; Graduated Hardened Steel Squares No. 63; Oct. 1947; p. 64.

[**] Term: 14 Years

Primary Examiner—Douglas Alan P.
Assistant Examiner—Antoine D. Davis
Attorney, Agent, or Firm—Terry M. Gernstein

[21] Appl. No.: 9,590

[57] CLAIM

The ornamental design for a carpenter's square, as shown and described.

[22] Filed: Jun. 18, 1993

[52] U.S. Cl. D10/65

[58] Field of Search 33/404, 421, 429, 451, 33/483, 484-495; D10/65, 69, 71

DESCRIPTION

FIG. 1 is a front, top and side perspective view of the carpenter's square embodying the design of the present invention;

FIG. 2 is a front elevational view thereof;

FIG. 3 is a rear elevational view thereof;

FIG. 4 is a side elevational view thereof;

FIG. 5 is a side elevational view thereof;

FIG. 6 is a top plan view thereof; and,

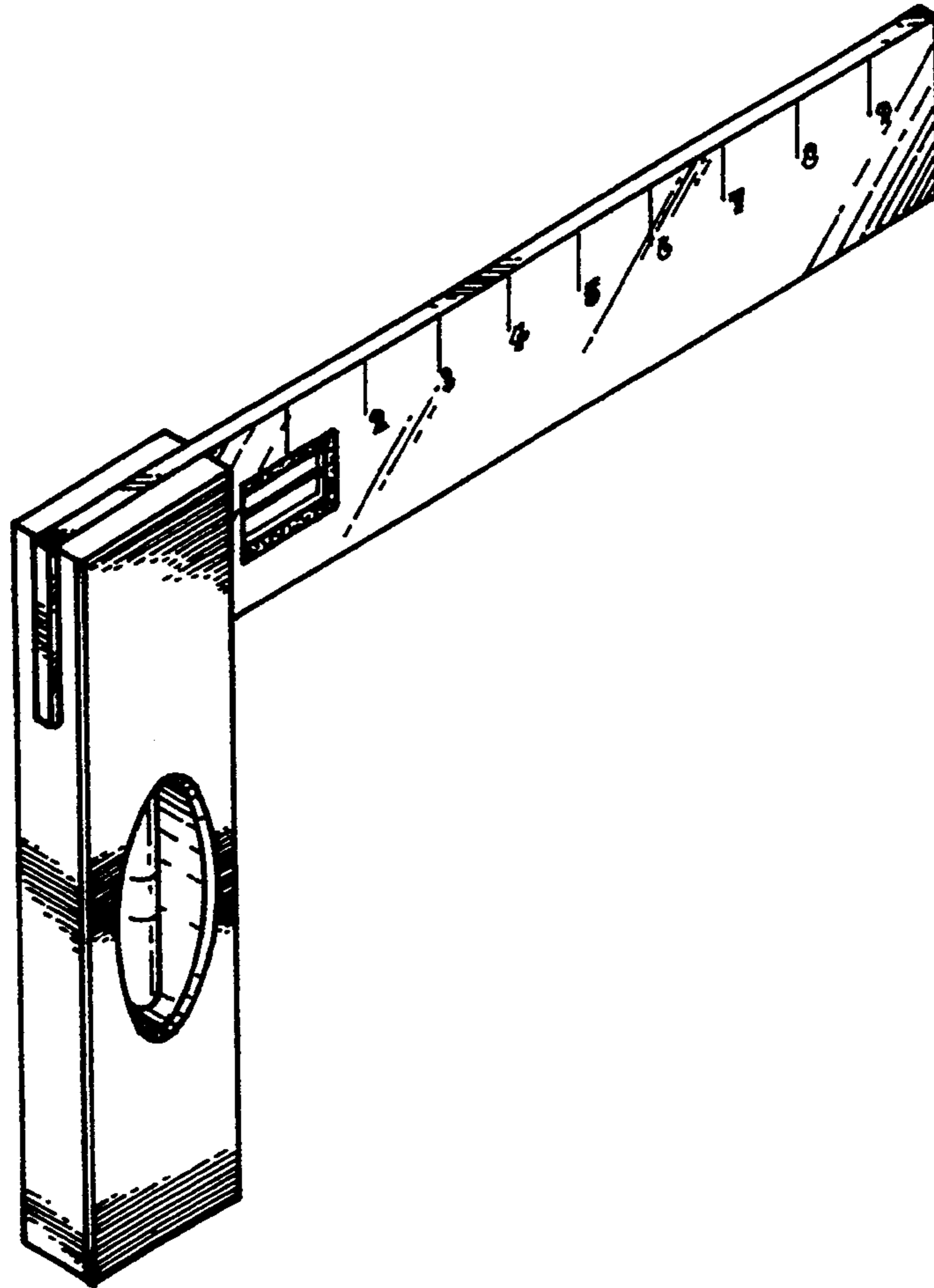
FIG. 7 is a bottom plan view thereof.

The rectangular opening on the ruler portion is a viewing window for layout marks.

[56] References Cited

U.S. PATENT DOCUMENTS

24,011	2/1895	Rebell	D10/69 X
24,503	7/1895	Starrett	D10/69 X
4,327,501	5/1982	Hurt	33/451 X
4,503,624	3/1985	Whiteford	33/451
4,700,489	10/1987	Vasile .	
4,944,096	7/1990	Tolley	33/451 X



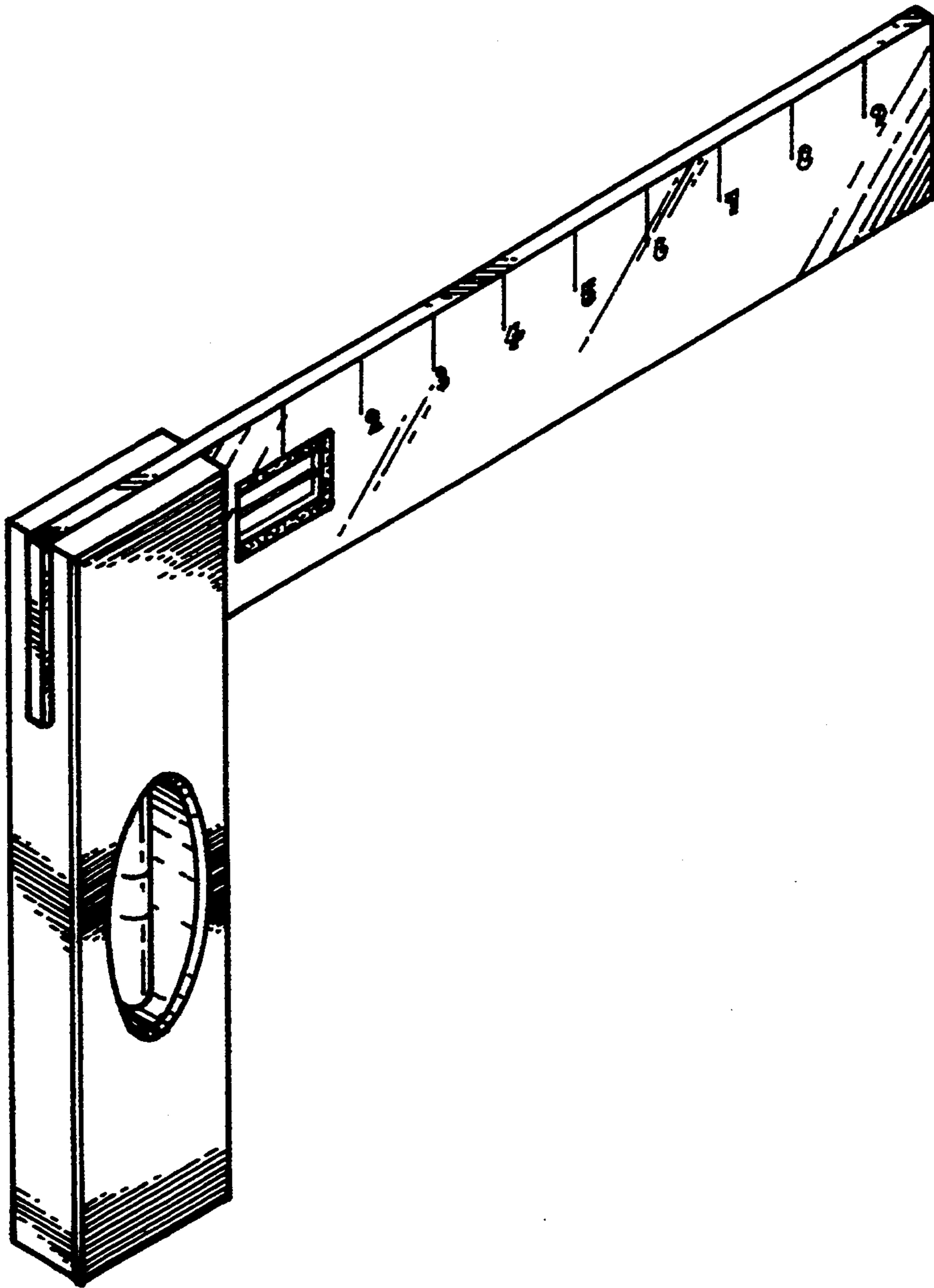


FIG. 1

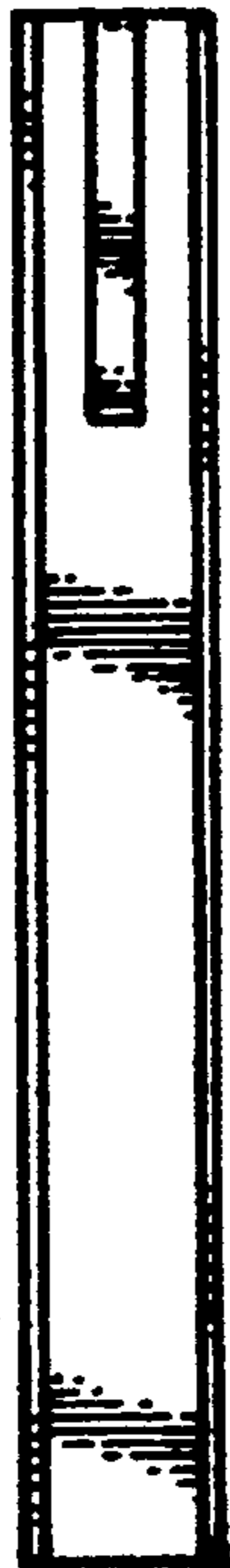


FIG. 2



FIG. 3

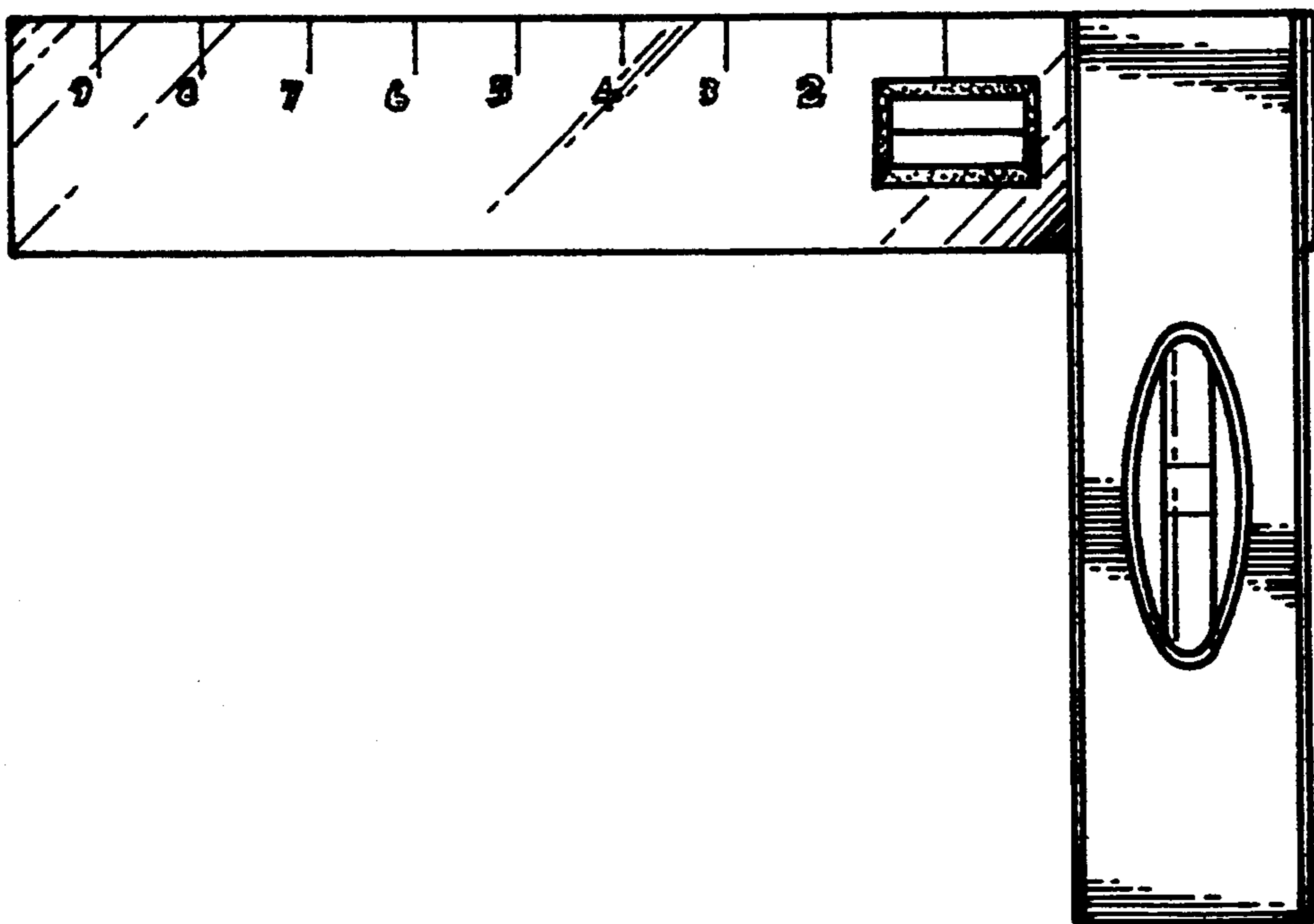


FIG. 4

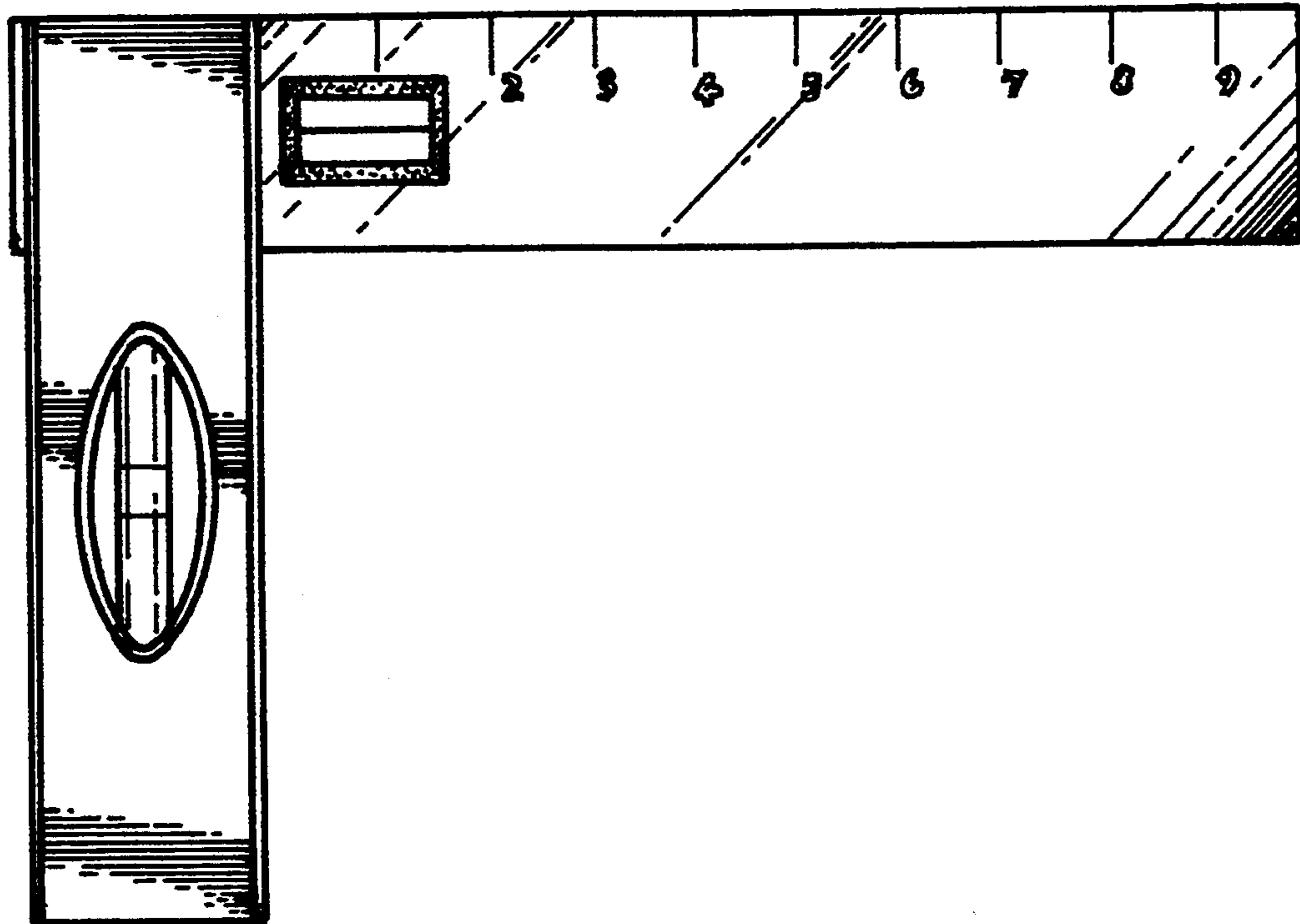


FIG. 5



FIG. 6



FIG. 7