



US00D353104S

United States Patent [19]

[11] Patent Number: **Des. 353,104**

Moore

[45] Date of Patent: **** Dec. 6, 1994**

[54] **CLOCK**

[75] Inventor: **Shan-ker Moore, Taichung Hsien, Taiwan, Prov. of China**

[73] Assignee: **Centre Clock Industry Co., Ltd., Taichung Hsien, Taiwan, Prov. of China**

[**] Term: **14 Years**

[21] Appl. No.: **6,020**

[22] Filed: **Mar. 17, 1993**

[52] U.S. Cl. **D10/28**

[58] Field of Search 368/179-180, 368/316-317, 276-277, 285; D10/1-40, 122-132

[56] **References Cited**

U.S. PATENT DOCUMENTS

- D. 99,999 6/1936 Braude D10/23
- D. 208,802 10/1967 Layton D10/23 X

- D. 312,790 12/1990 Kato D10/26
- D. 322,408 12/1991 Odaka D10/26
- D. 333,620 3/1993 Moore D10/29
- D. 335,630 5/1993 Wada D10/28
- D. 335,633 5/1993 Wada D10/28

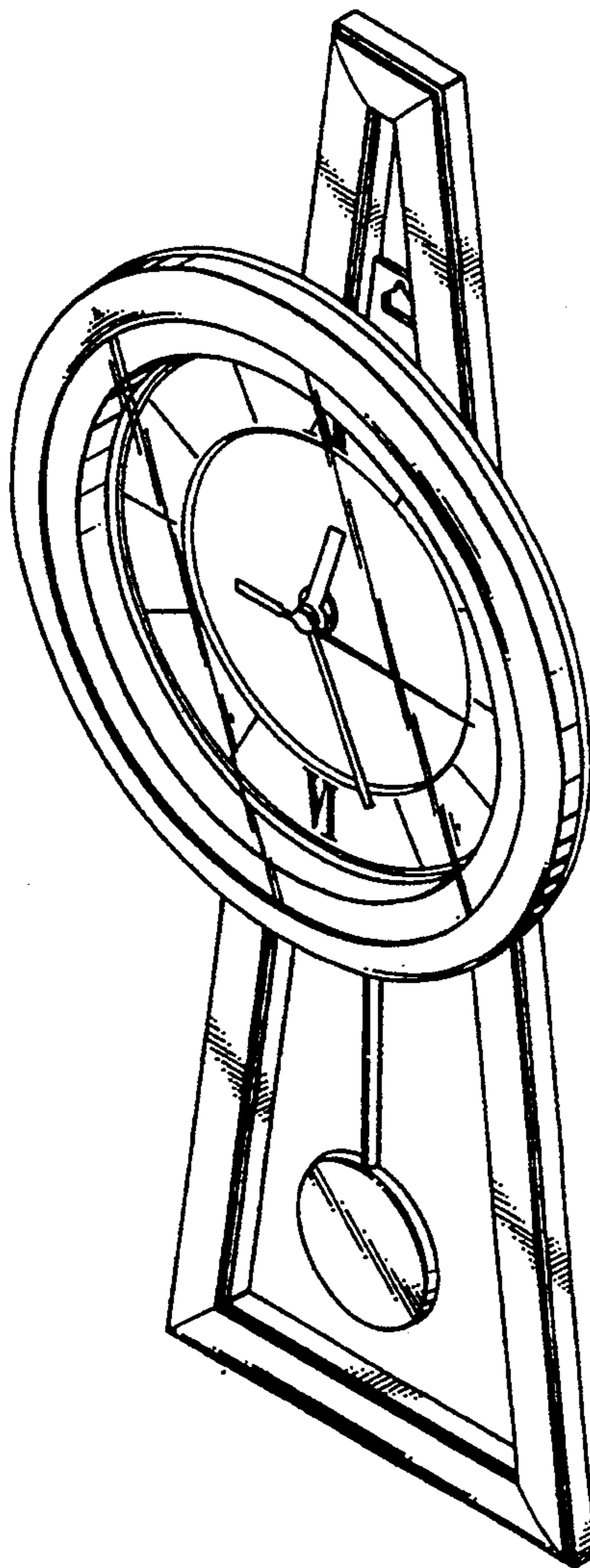
Primary Examiner—Nelson C. Holtje
Attorney, Agent, or Firm—Browdy and Neimark

[57] **CLAIM**

The ornamental design for a clock, as shown and described.

DESCRIPTION

FIG. 1 is a front view of a clock showing my new design;
 FIG. 2 is a rear view thereof;
 FIG. 3 is a left side view thereof;
 FIG. 4 is a right side view thereof;
 FIG. 5 is a top view thereof;
 FIG. 6 is a bottom view thereof; and,
 FIG. 7 is a perspective view thereof.



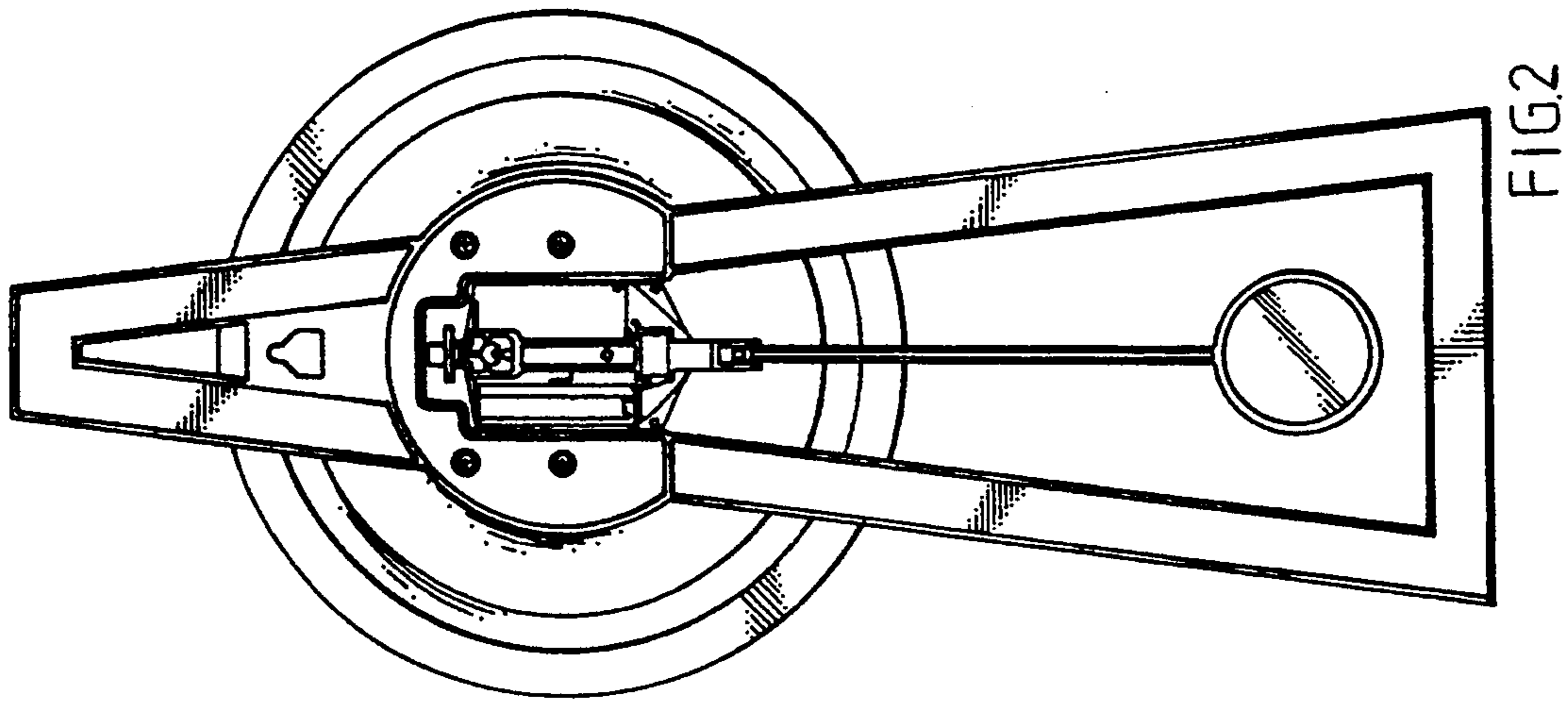


FIG. 2

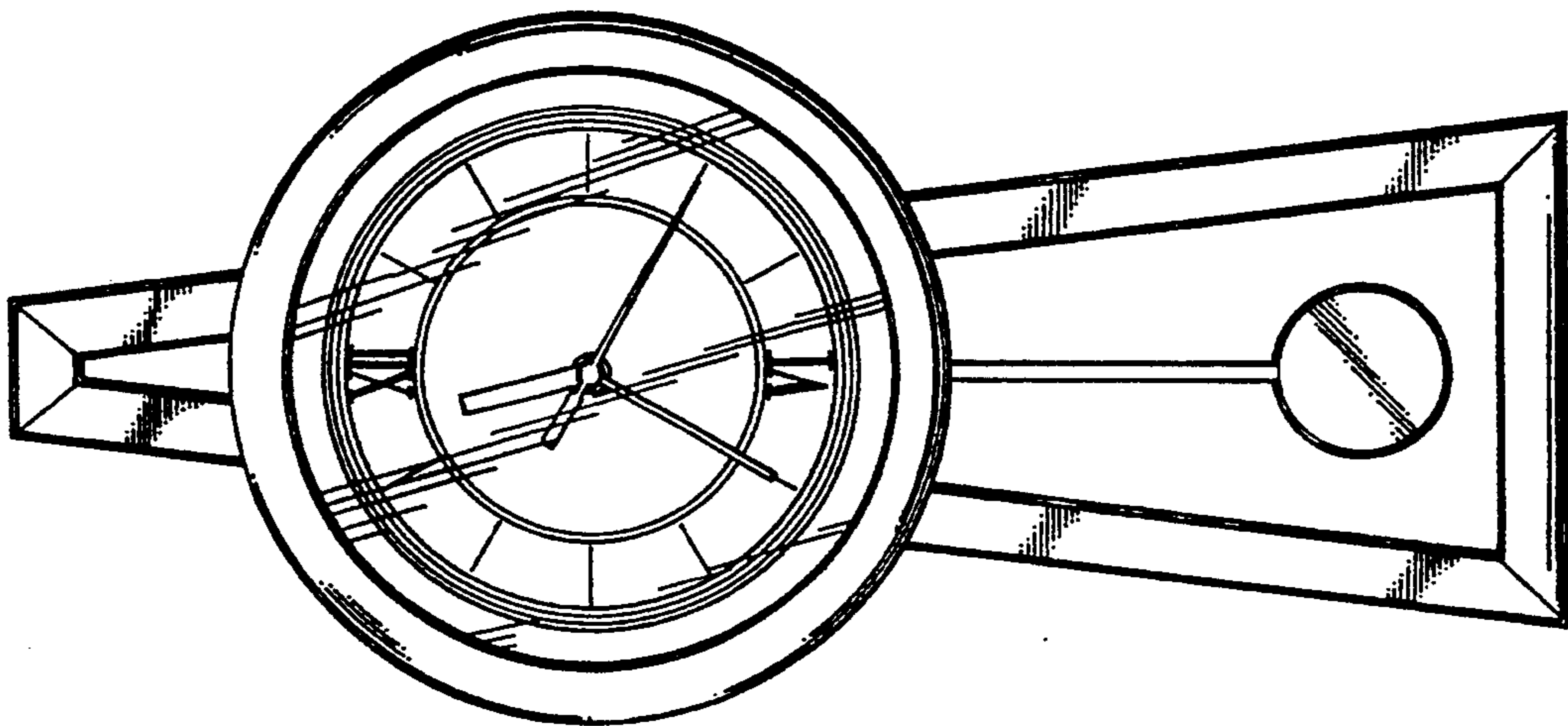


FIG. 1

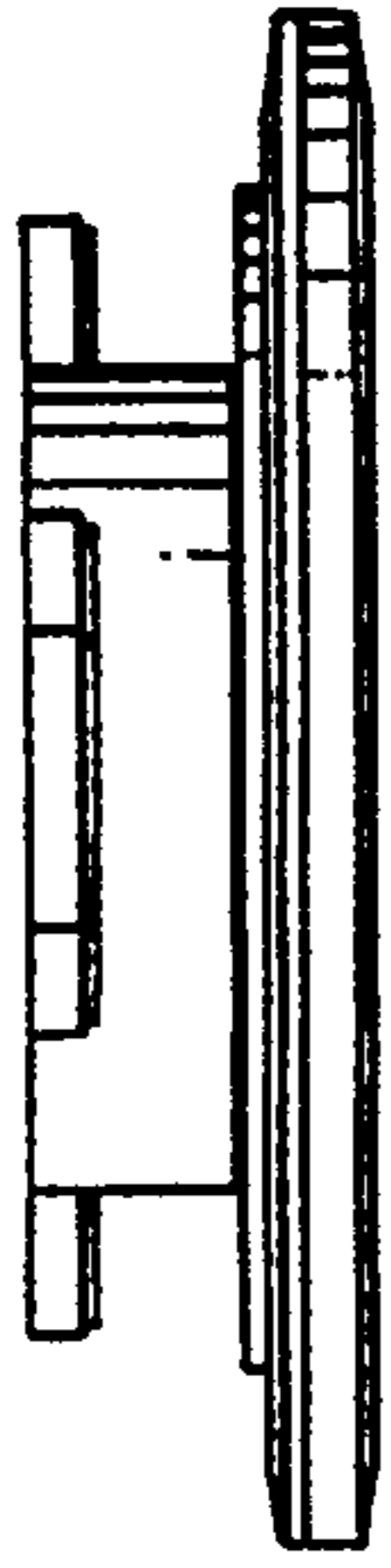


FIG. 5



FIG. 6

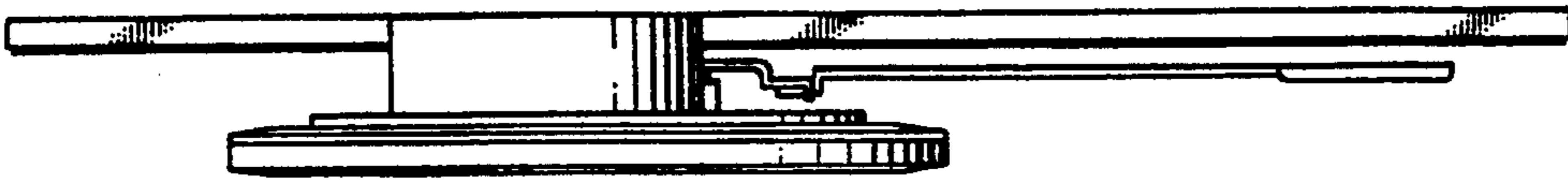


FIG. 4



FIG. 3

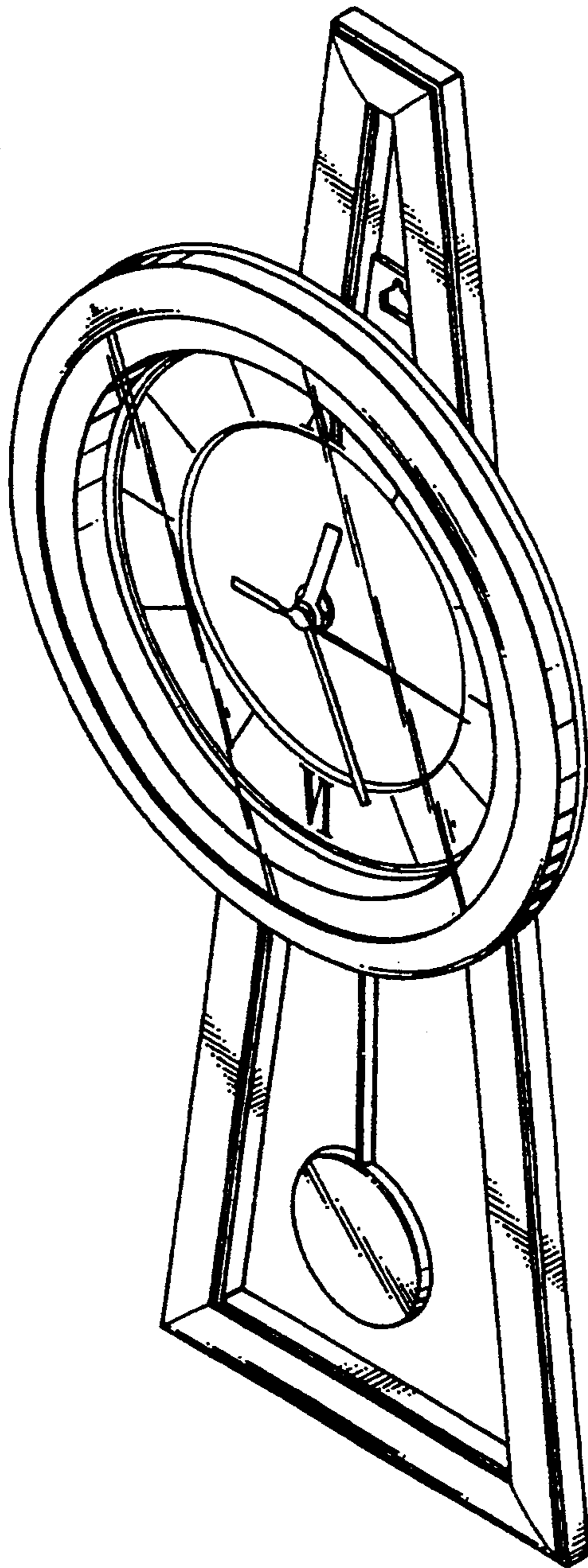


FIG. 7