



US00D353095S

United States Patent [19]

[11] Patent Number: **Des. 353,095**

Kendra et al.

[45] Date of Patent: **** Dec. 6, 1994**

[54] **CUTTING TOOL INSERT PACKAGE**

[75] Inventors: **Robert T. Kendra, Irwin; Philip H. Weihl, Greensburg; Thomas J. Baric, Trafford, all of Pa.; Kent W. Murphy, Wooster, Ohio; Edward L. Bejster, Latrobe, Pa.; Harry C. Dundore, Rome, Ohio**

[73] Assignee: **Kennametal Inc., Latrobe, Pa.**

[**] Term: **14 Years**

[21] Appl. No.: **938,637**

[22] Filed: **Aug. 31, 1992**

[52] U.S. Cl. **D9/456**

[58] Field of Search **D6/467; D7/602, 611, D7/614; D9/434-436, 455-456, 499; 206/45.31, 203, 521.7, 521.15; 220/500, 507, 525, 555**

[56] **References Cited**

U.S. PATENT DOCUMENTS

D. 315,868	4/1991	Gelardi et al.	D9/456
306,290	10/1884	Sherman	206/45.31
1,670,498	5/1928	Einson	206/45.31
2,339,555	1/1944	Glass	206/45.31
2,921,673	1/1960	Ryan	206/45.31
3,214,057	10/1965	Box .	
3,424,334	1/1969	Goltz .	
3,537,422	11/1970	Moe	220/507

3,563,370	2/1971	Nozette	206/45.31
3,647,105	3/1972	Keeslar .	
3,760,937	9/1973	Van Wyngarden et al. .	
4,619,363	10/1986	Wolfseder .	
4,648,524	3/1987	Ackermann	220/507
4,660,724	4/1987	Gaynes .	
4,660,725	4/1987	Fishman et al. .	
4,782,952	11/1988	ALlen	D6/467 X
4,982,858	1/1991	von Holdt .	

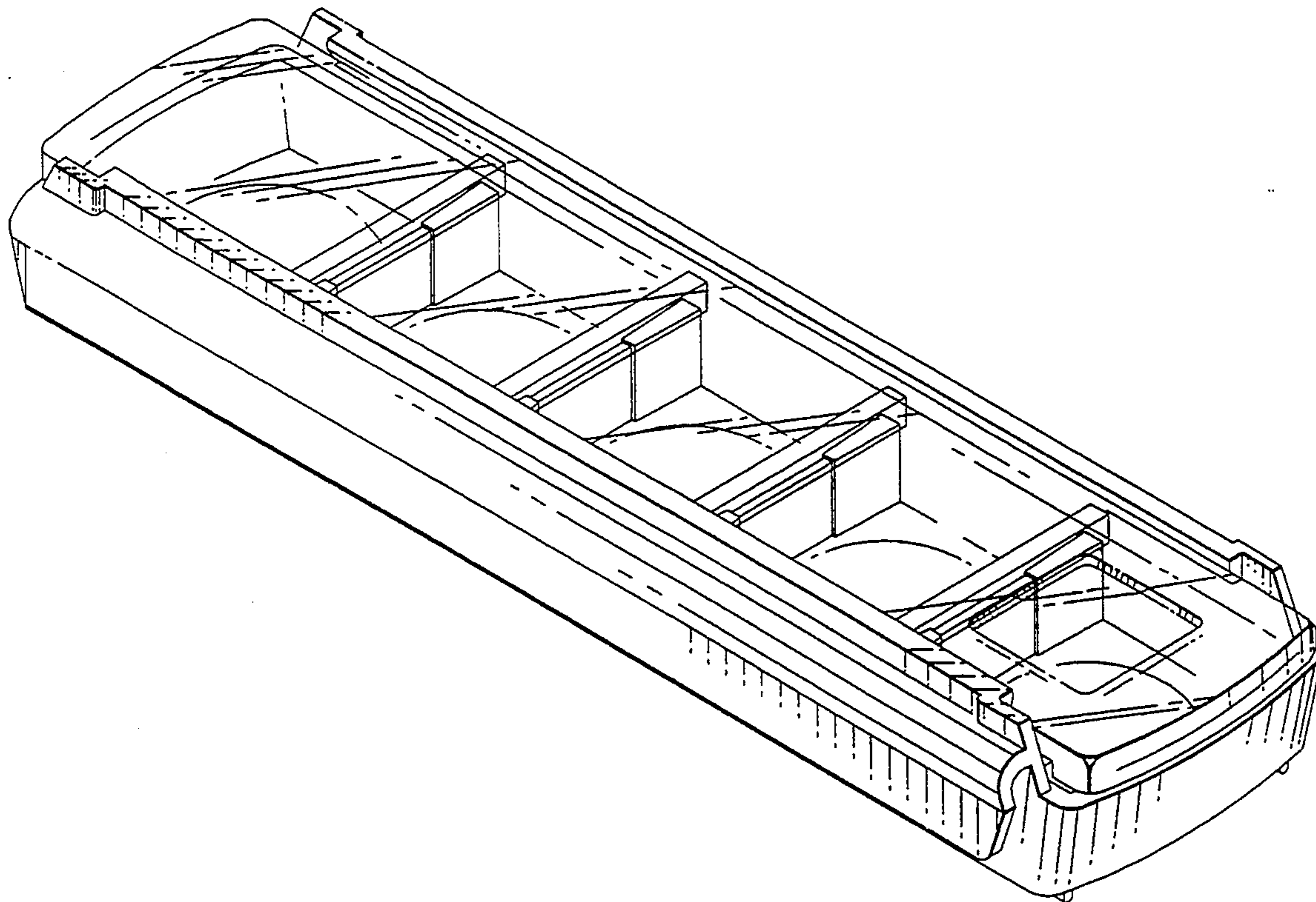
Primary Examiner—Alan P. Douglas
Assistant Examiner—R. Spear
Attorney, Agent, or Firm—James G. Porcelli

[57] **CLAIM**

The ornamental design for a cutting tool insert package, as shown and described.

DESCRIPTION

FIG. 1 is a perspective view of a cutting tool insert package showing my new design;
FIG. 2 is a top plan view thereof;
FIG. 3 is an elevational view thereof, taken from the right side;
FIG. 4 is an elevational view thereof, taken from the left side;
FIG. 5 is an elevational view thereof, taken from the front end with the opposite end elevational view being a mirror image thereof;
FIG. 6 is a bottom plan view thereof; and,
FIG. 7 is a view of the section indicated by arrows 7-7 in FIG. 2.



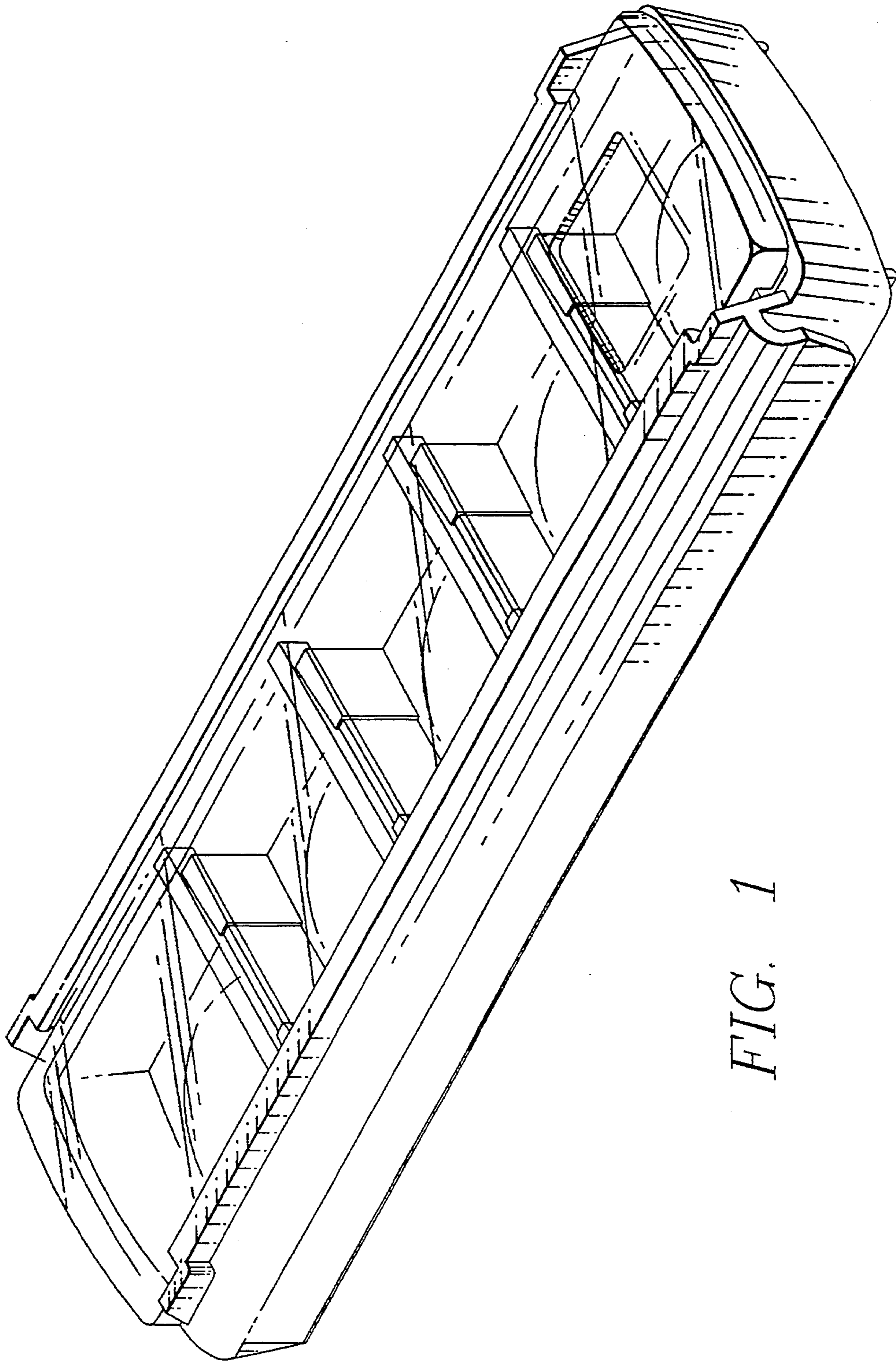


FIG. 1

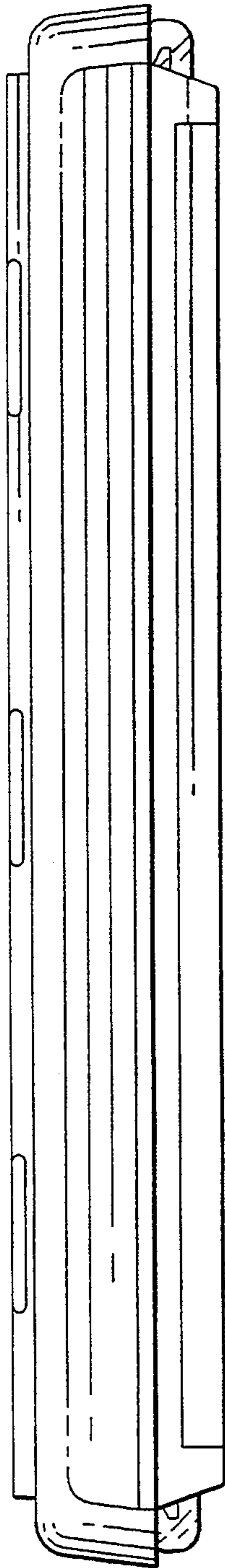


FIG. 4

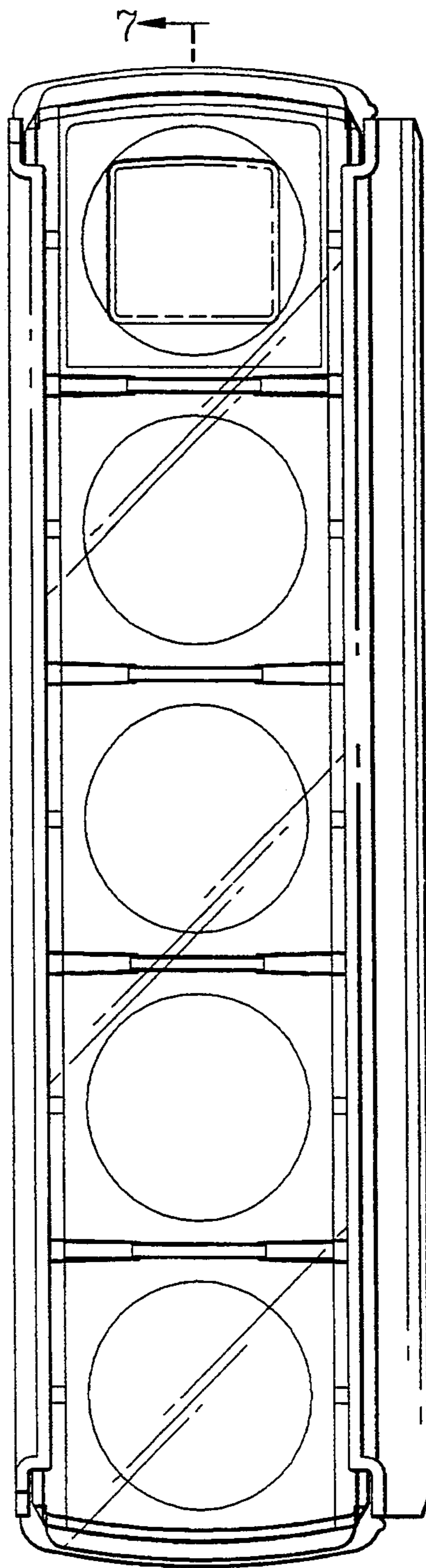


FIG. 2

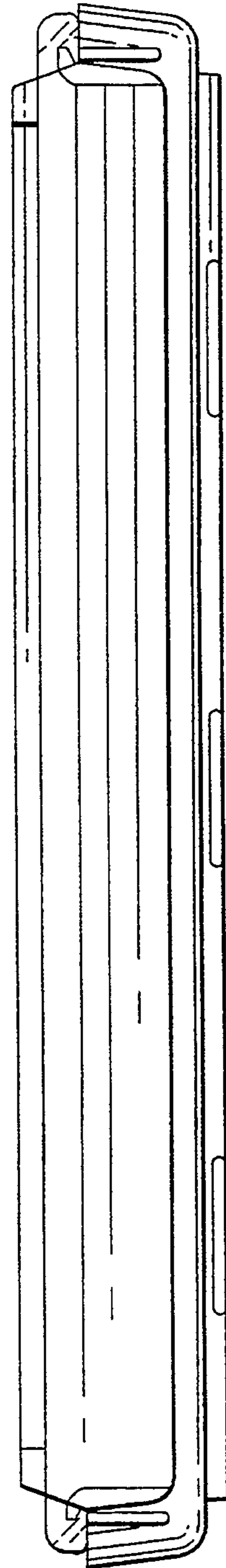


FIG. 3

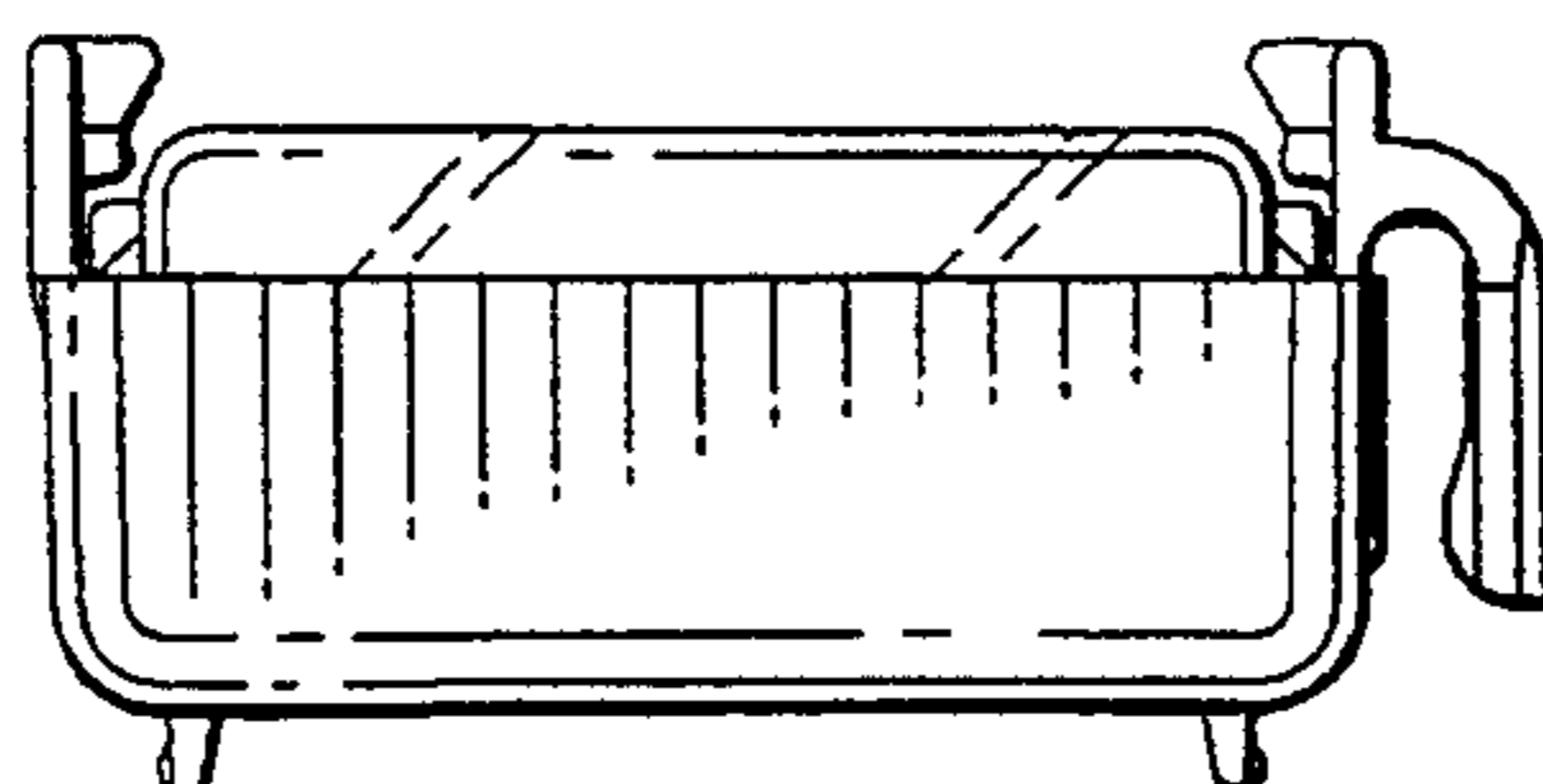


FIG. 5

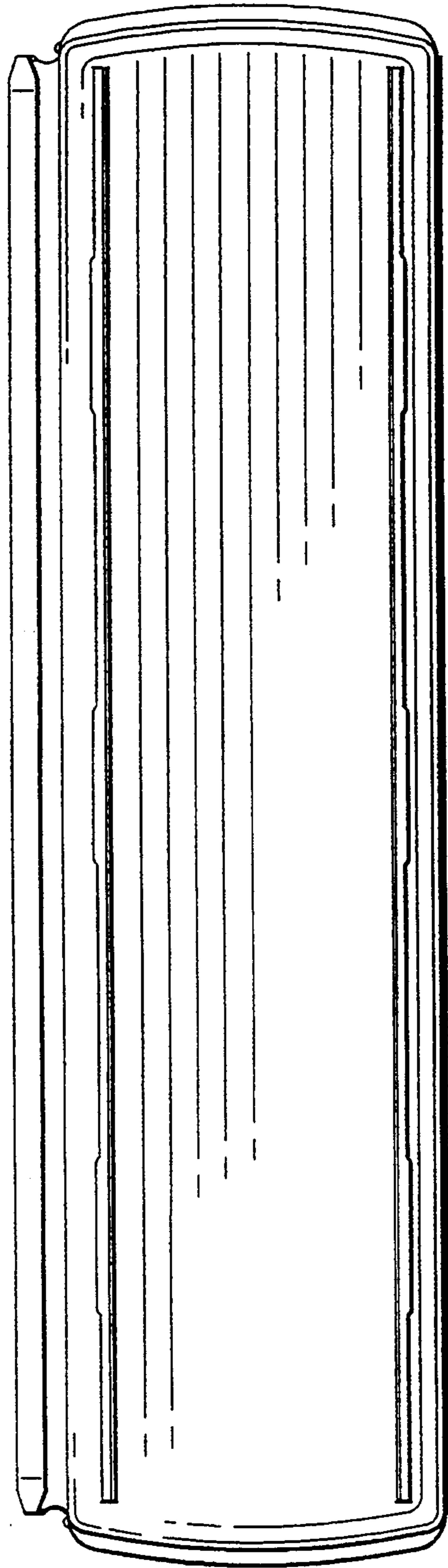


FIG. 6

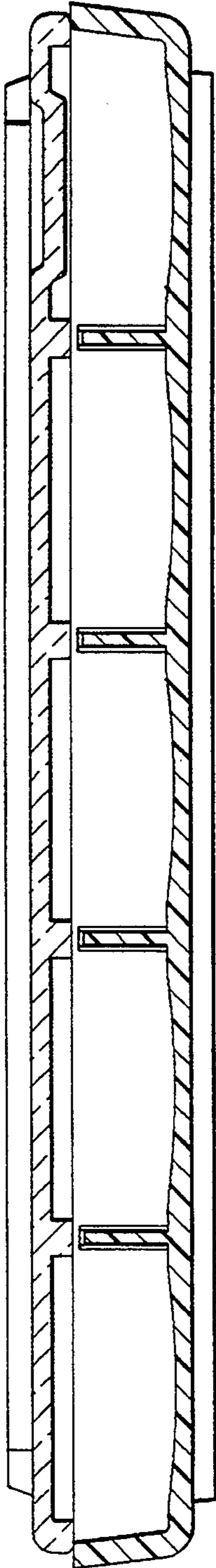


FIG. 7