



US00D353094S

United States Patent [19]

[11] Patent Number: Des. 353,094

Labrie

[45] Date of Patent: ** Dec. 6, 1994

[54] CONTAINER

5,203,836 4/1993 Brazis et al. 220/657 X

[75] Inventor: Sylvain Labrie, Charny, Canada

OTHER PUBLICATIONS

[73] Assignee: IPL Inc., St. Damien, Canada

Rubbermaid, 1985, p. 5, Circular Containers.
Modern Packaging, 1967, p. 27.

[**] Term: 14 Years

Primary Examiner—Prabhakar Deshmukh
Attorney, Agent, or Firm—Jean H. Dubuc

[21] Appl. No.: 11,472

[22] Filed: Aug. 5, 1993

[57] CLAIM

[52] U.S. Cl. D9/428

The ornamental design for a container, as shown and described.

[58] Field of Search D9/428, 424, 425, 500,
D9/503, 513, 549; D7/601, 602, 603, 608;
220/602, 662, 675, 657, 659, 380, 386; 206/508,
499

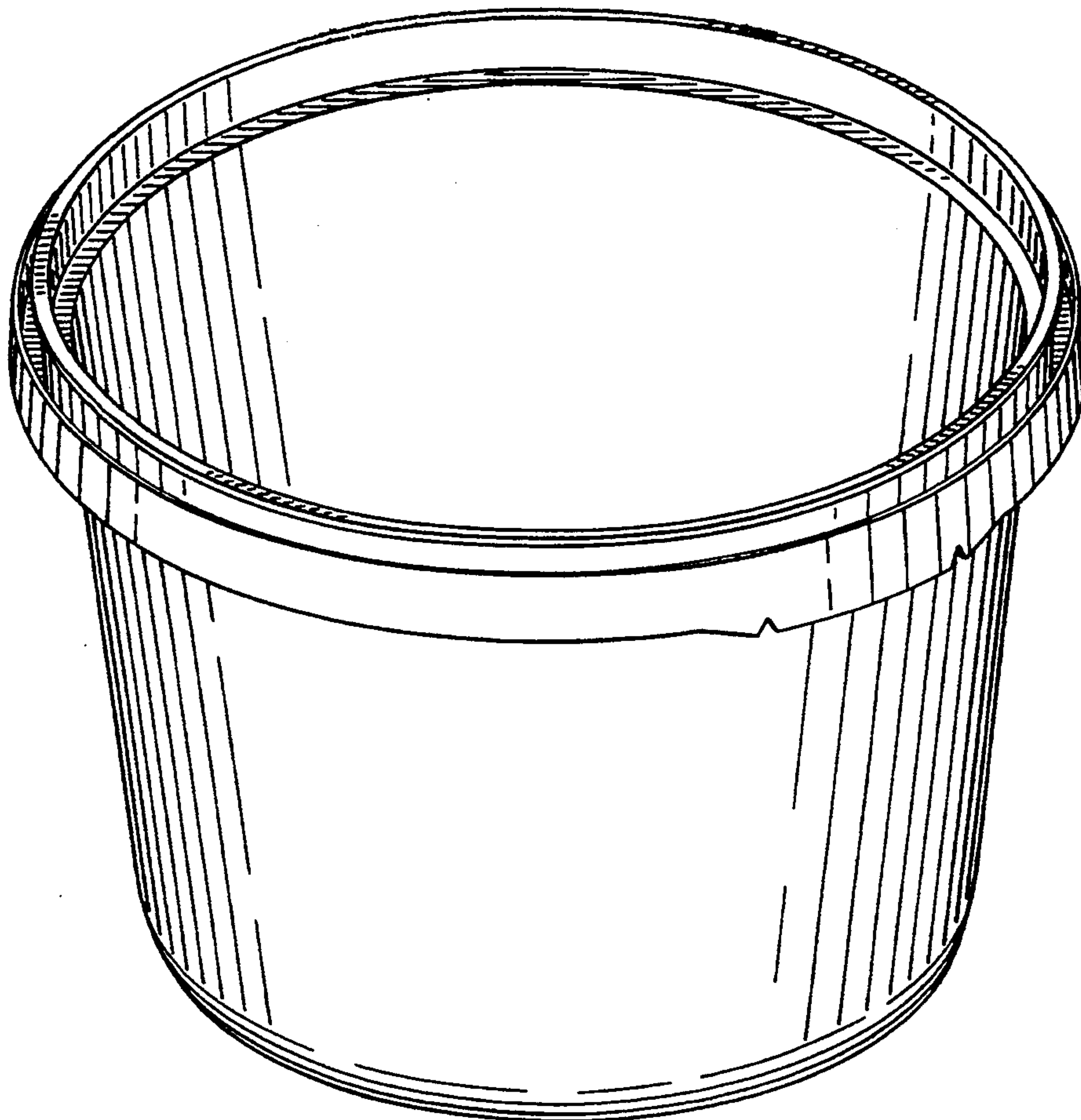
DESCRIPTION

[56] References Cited

U.S. PATENT DOCUMENTS

D. 221,418	8/1971	Kinney	D9/428
D. 221,625	8/1971	Kinney et al.	D9/428
D. 280,600	9/1985	Earl	D9/428 X
D. 338,636	8/1993	Moore	D9/428 X
3,061,139	10/1962	Edwards	220/356
4,420,093	12/1983	Von Holdt	206/508 X
5,150,804	9/1992	Blanchet et al.	220/380 X

FIG. 1 is a top perspective view of the container showing my new design;
FIG. 2 is a side elevational thereof;
FIG. 3 is a front elevation thereof as seen from the right of FIG. 2;
FIG. 4 is a side elevation thereof as seen from the left of FIG. 2;
FIG. 5 is a top plan view thereof; and,
FIG. 7 is a cross-sectional view as seen from line 7—7 of FIG. 5.



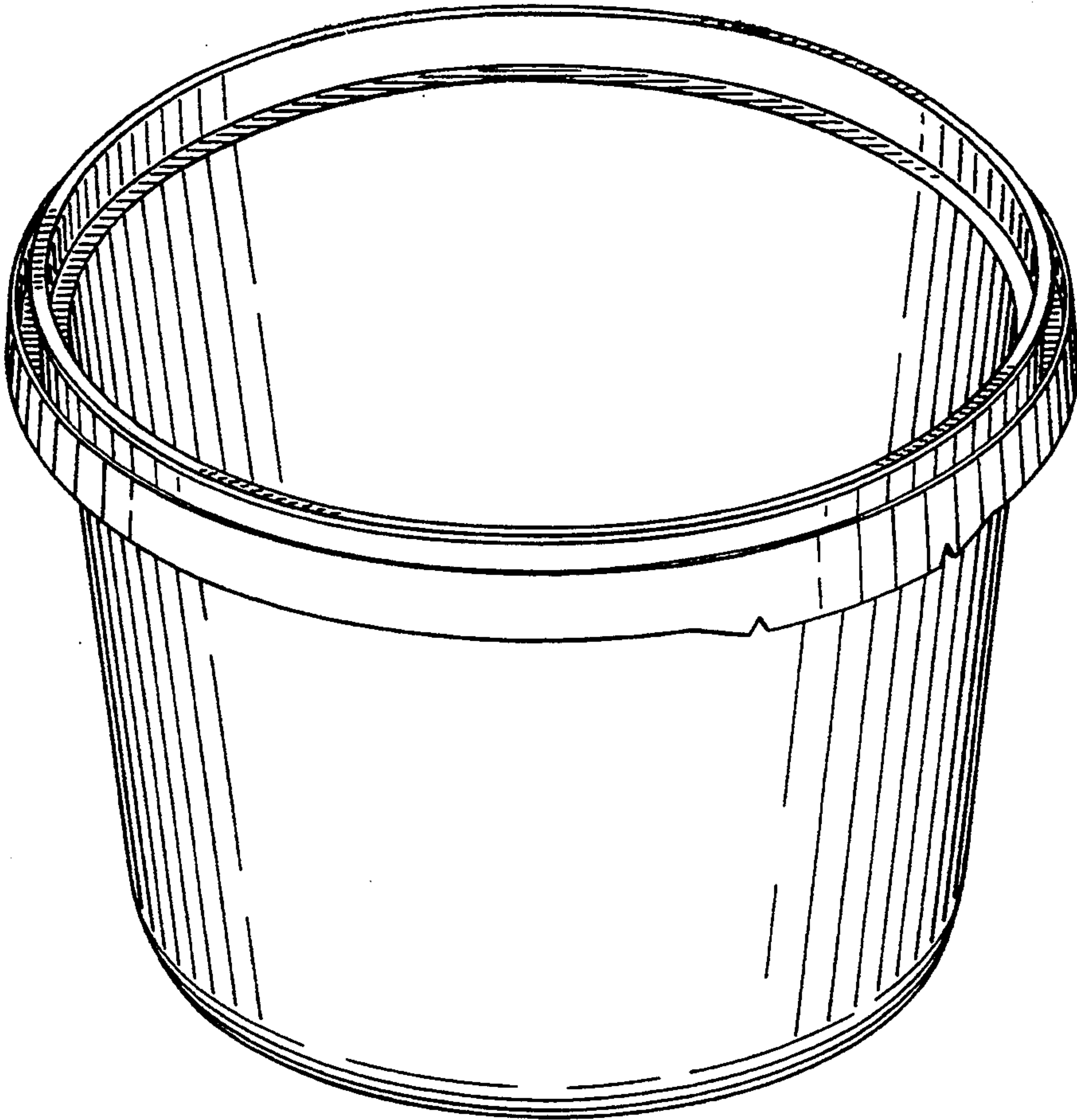


FIG. 1

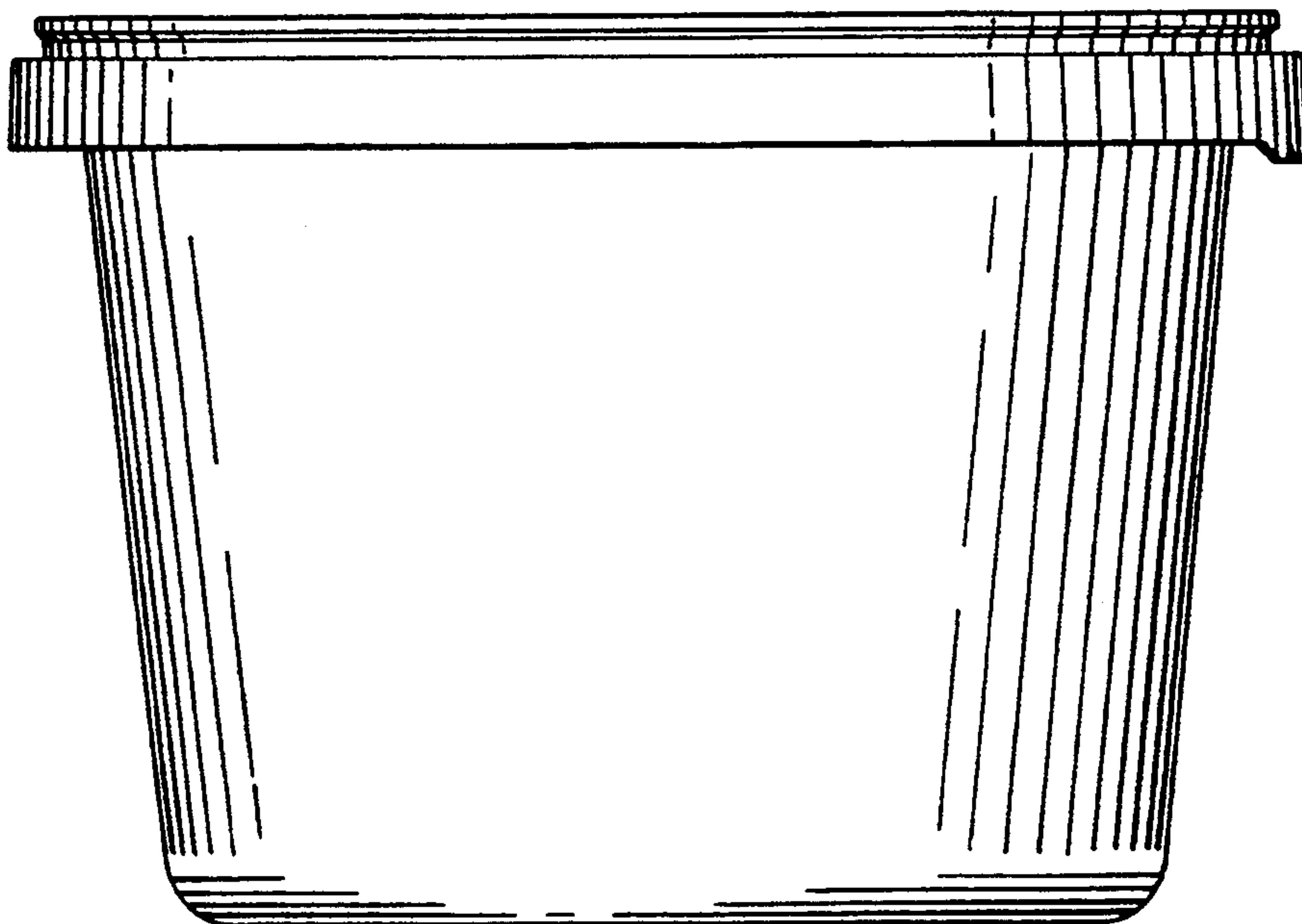


FIG. 2

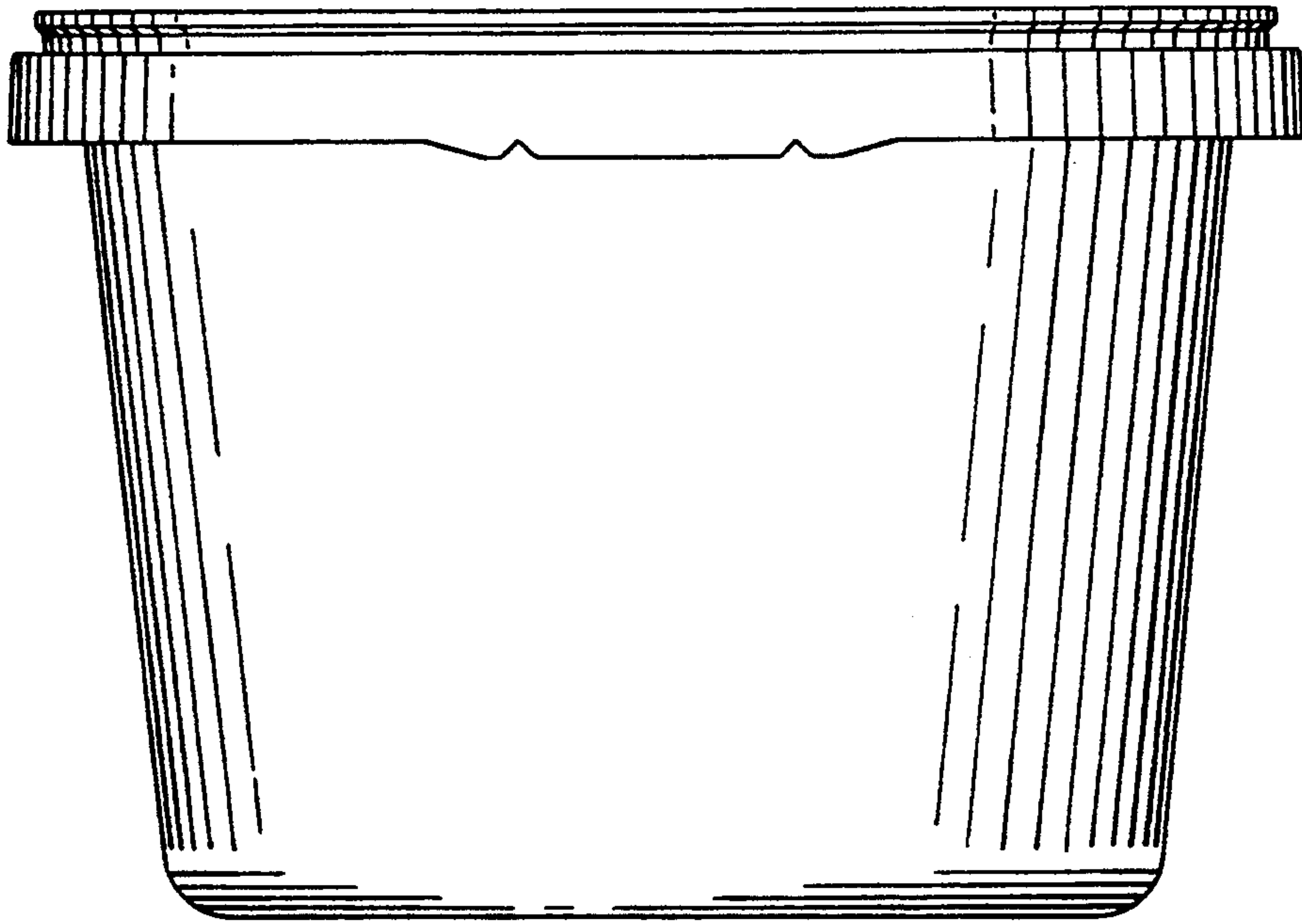


FIG. 3

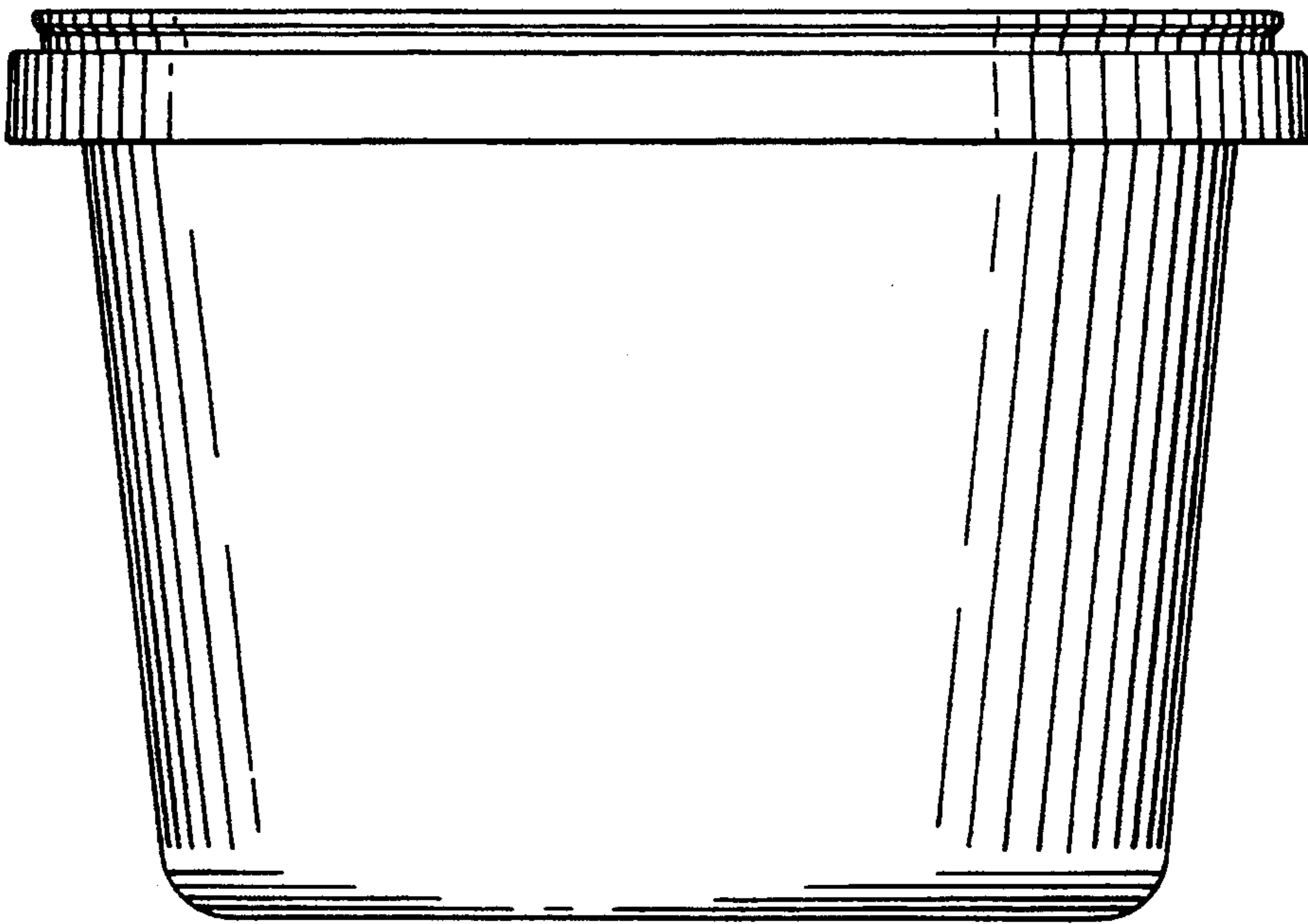
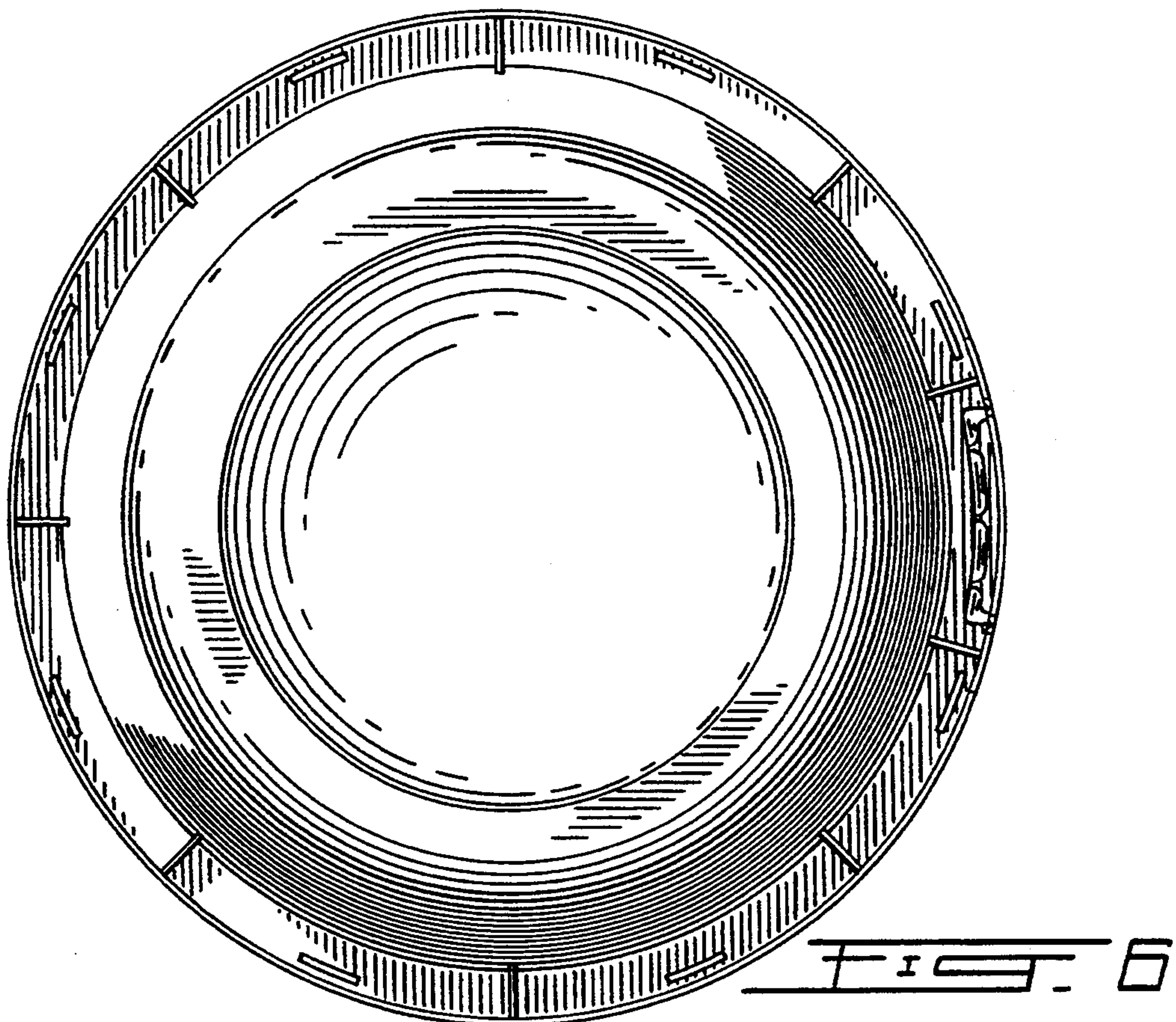
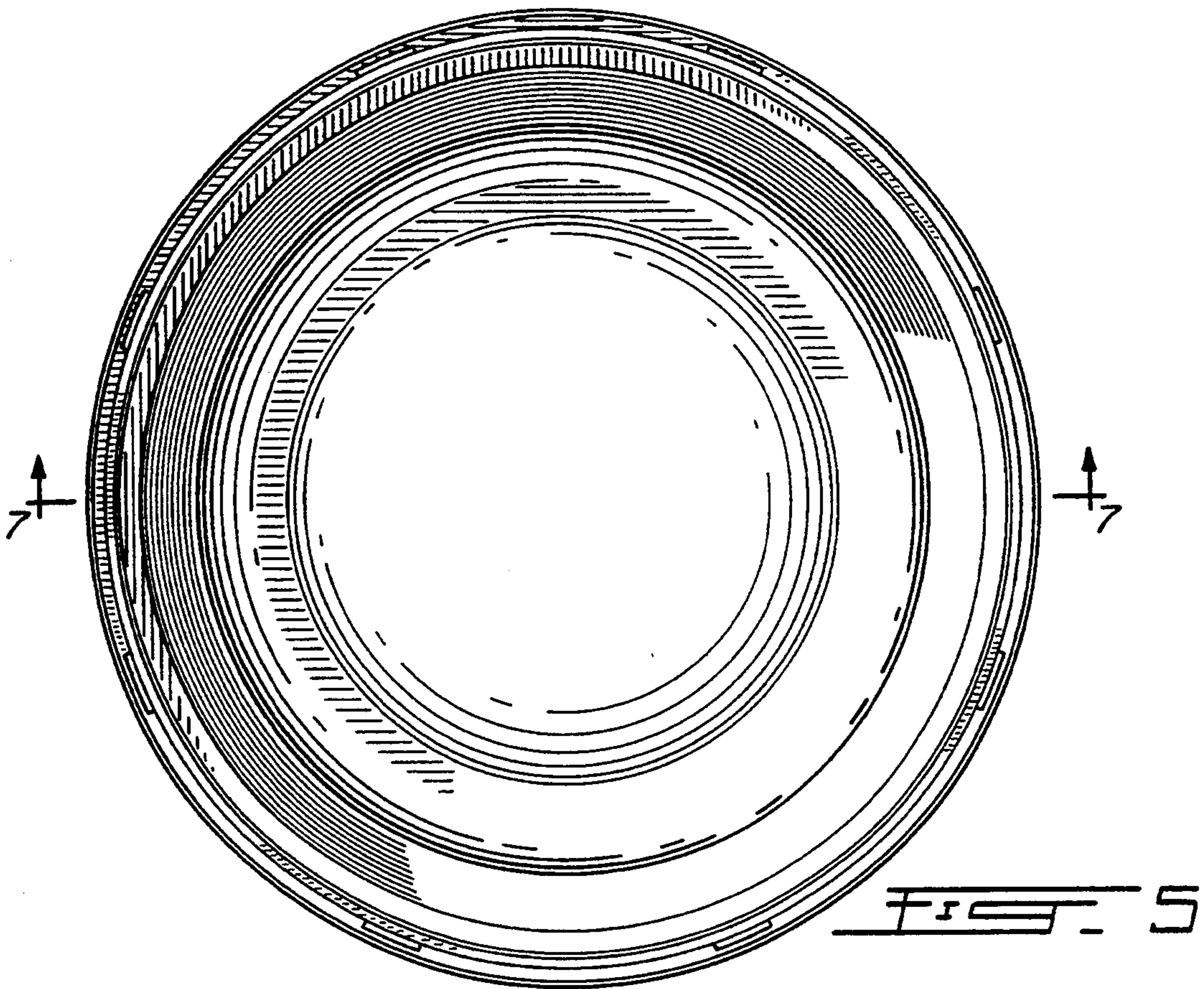


FIG. 4



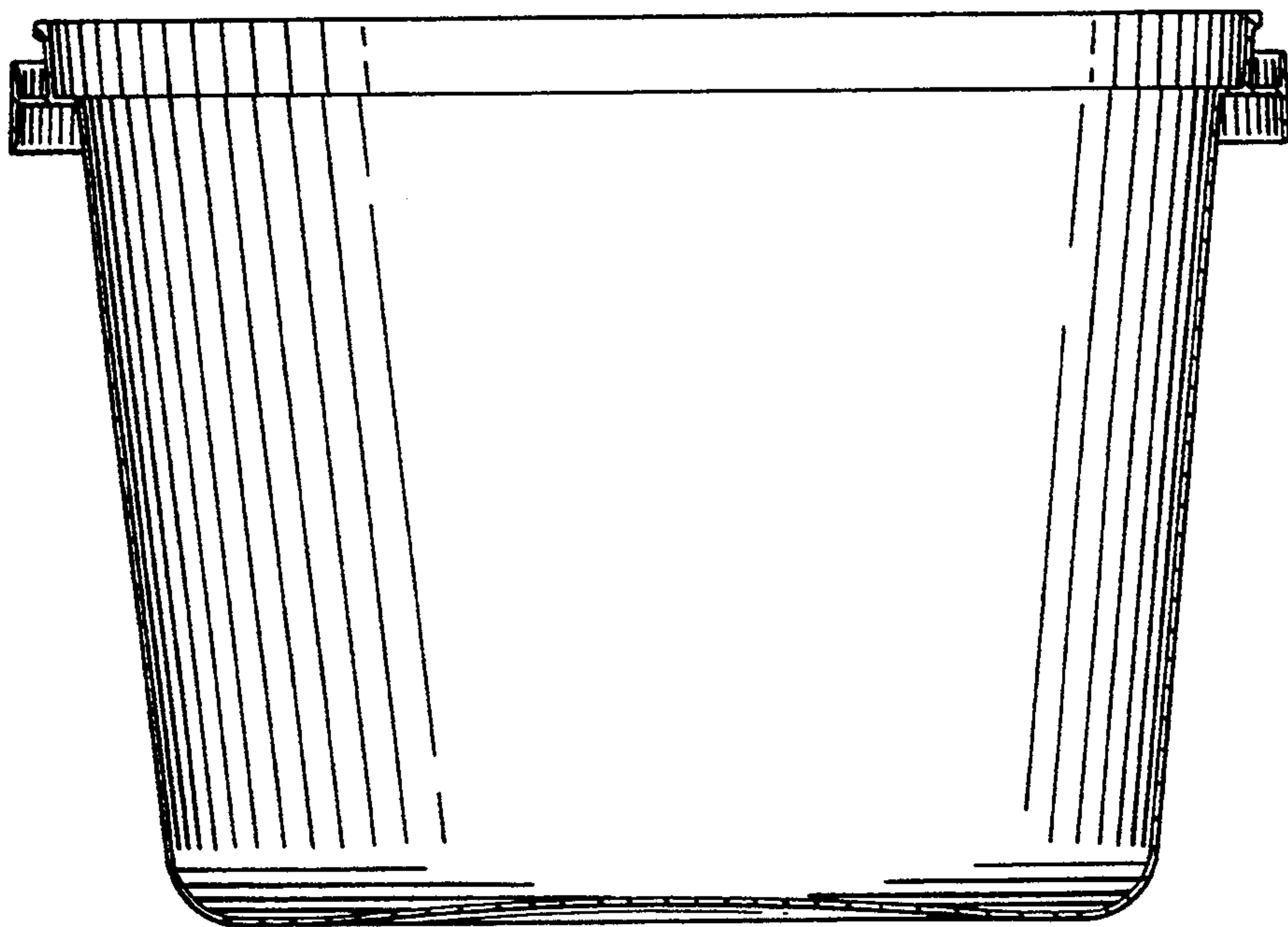


FIG. 7