



US00D353090S

# United States Patent [19]

[11] Patent Number: **Des. 353,090**

Wright

[45] Date of Patent: **\*\* Dec. 6, 1994**

## [54] LUGGAGE CART WHEEL

[75] Inventor: **Lonnie W. Wright**, Broken Arrow, Okla.

[73] Assignee: **UNR Industries, Inc.**, Chicago, Ill.

[\*\*] Term: **14 Years**

[21] Appl. No.: **16,580**

[22] Filed: **Dec. 20, 1993**

[52] U.S. Cl. .... **D8/375**

[58] Field of Search ..... **D8/375; 16/18 R, 18 CG, 16/47, 45; 12/244**

## OTHER PUBLICATIONS

Payson Casters Catalog, Jul. 5, 1988, p. 10, wheel circled at bottom of page.

P.J. Company Catalog, Apr. 7, 1986, p. 16, wheel located at top right corner of page.

*Primary Examiner*—Wallace R. Burke

*Assistant Examiner*—H. Baynham

*Attorney, Agent, or Firm*—Dressler, Goldsmith, Shore & Milnamow, Ltd.

## [57] CLAIM

The ornamental design for a luggage cart wheel, as shown and described.

## DESCRIPTION

FIG. 1 is an axial view of one side of a luggage cart wheel showing my new design, the other side being a mirror image;

FIG. 2 is an edge view thereof, looking from left to right in FIG. 1;

FIG. 3 is a sectional view taken along line 3—3 of FIG. 1, in a direction indicated by arrows;

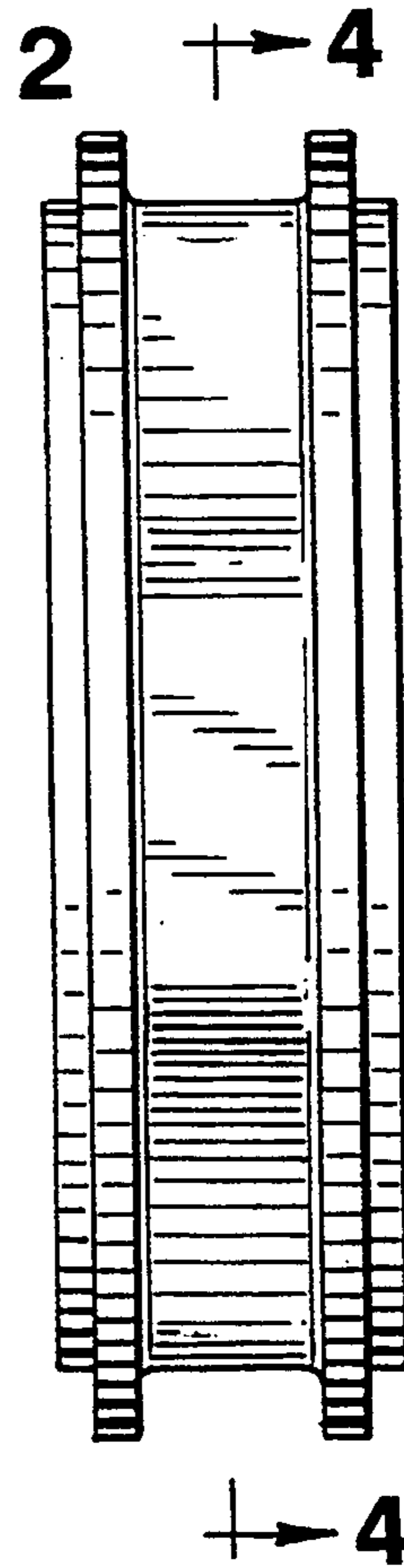
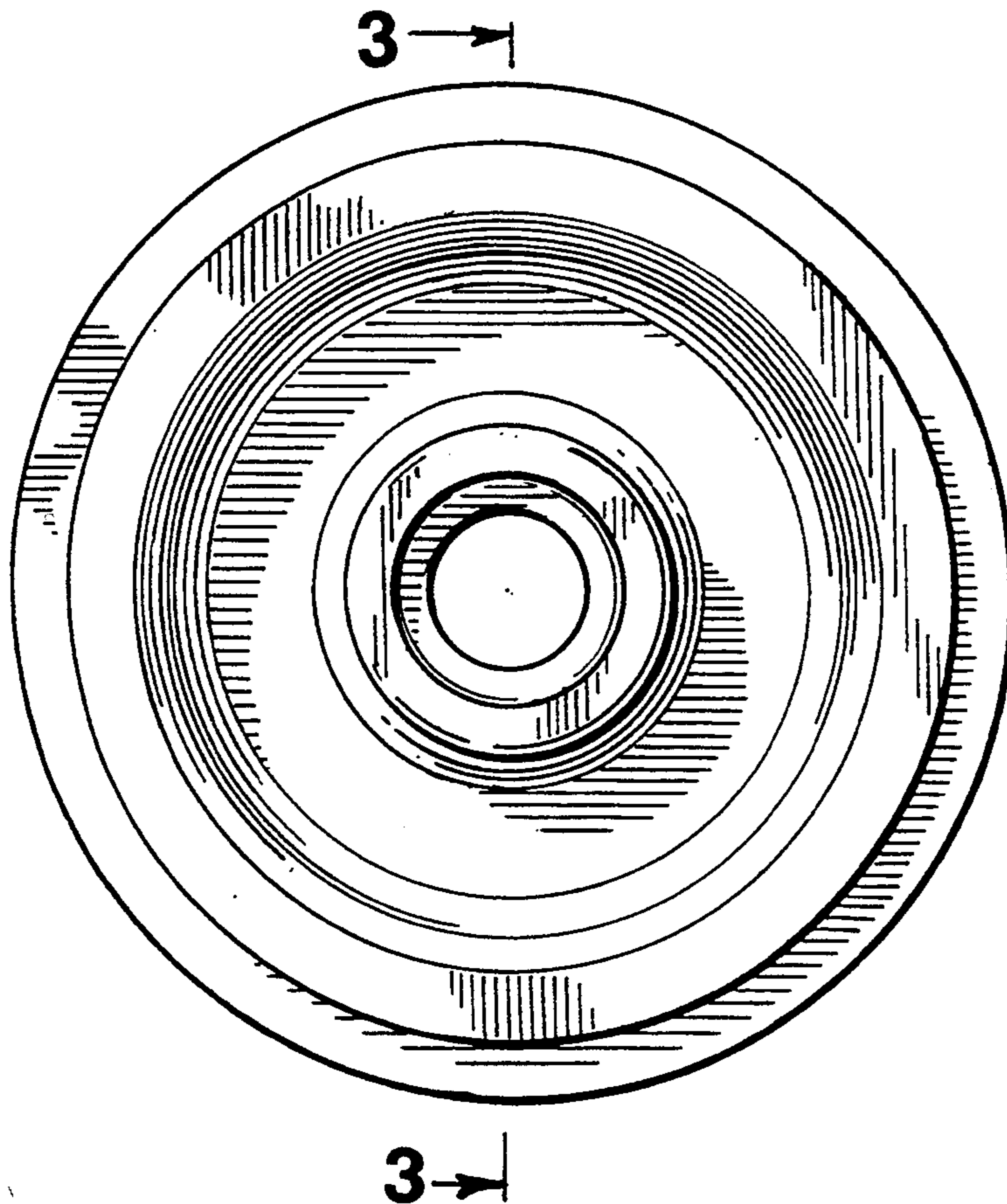
FIG. 4 is a sectional view taken along line 4—4 of FIG. 2 in a direction indicated by arrows.

The luggage cart wheel is symmetrical at 45° intervals around its axis.

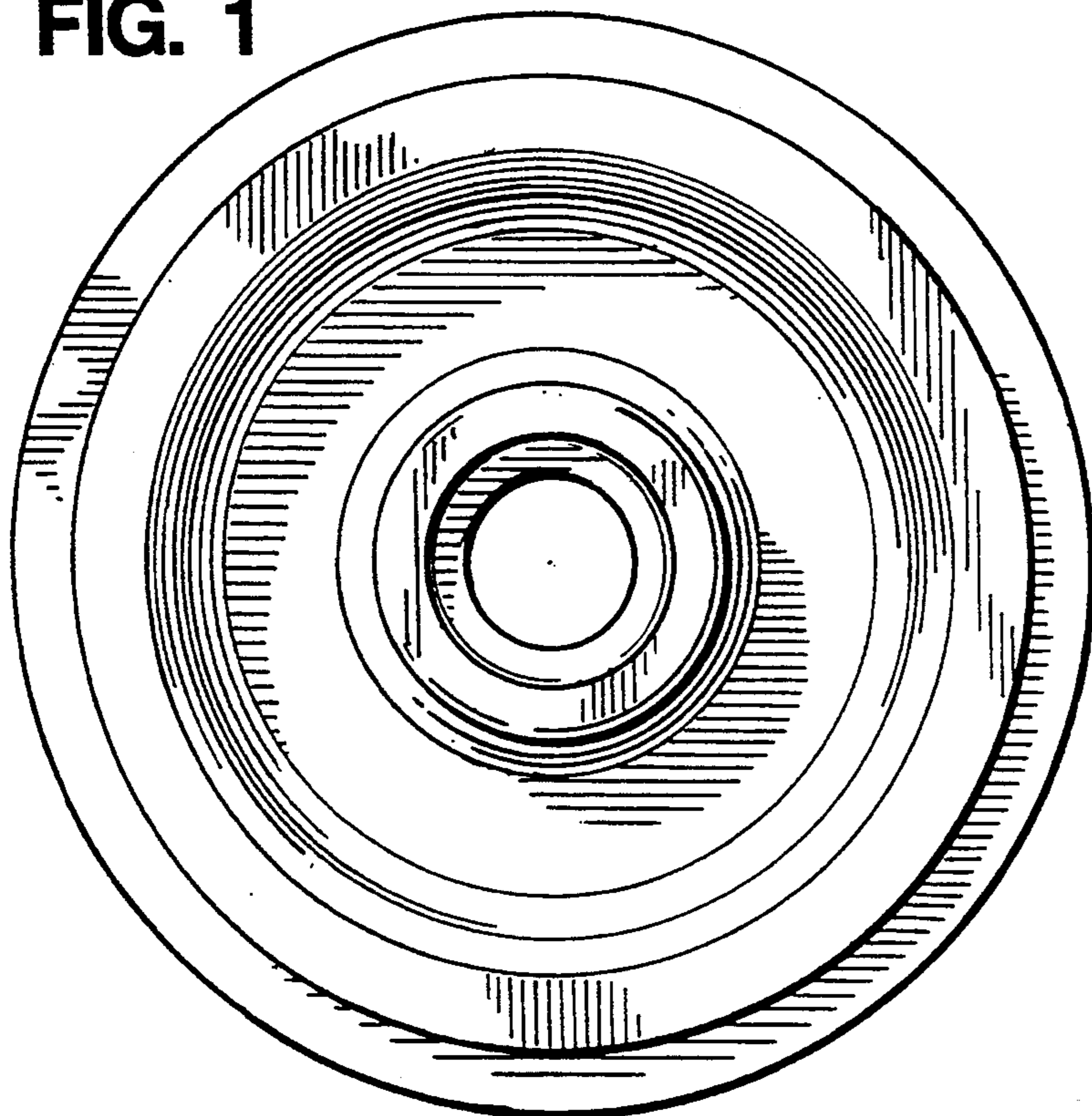
## [56] References Cited

### U.S. PATENT DOCUMENTS

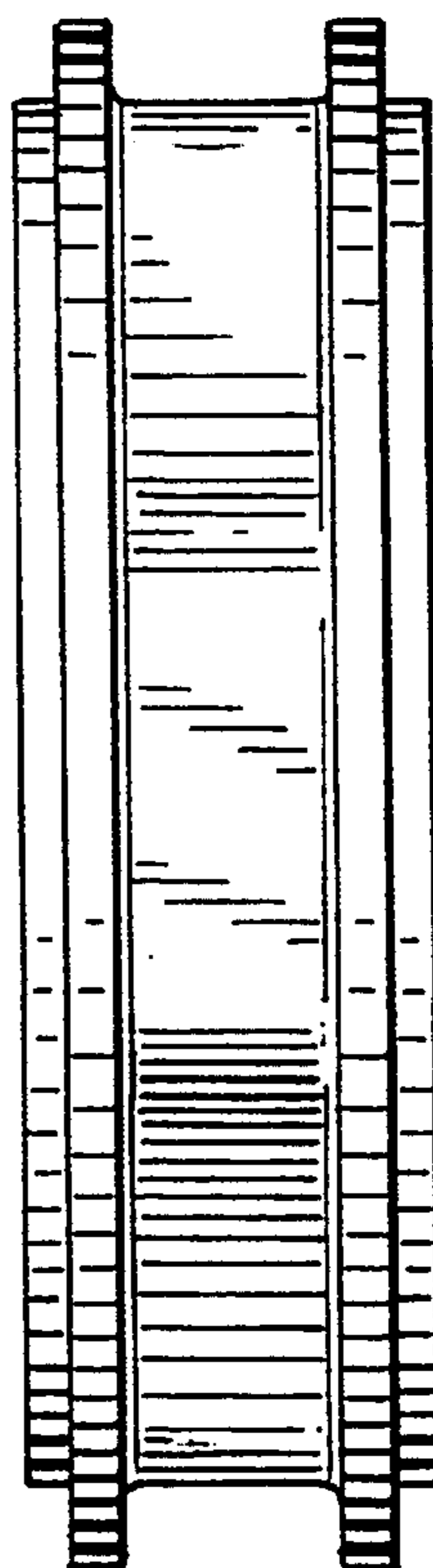
D. 266,396	10/1982	Neville	.....	D8/375
D. 266,614	10/1982	Neville	.....	D8/375 X
D. 337,937	8/1993	Brennan	.....	D8/375
3,265,157	8/1966	Rissler	.....	186/1
3,305,064	2/1967	Mullis et al.	.....	198/16
3,499,501	3/1970	Fitzgerald et al.	.....	180/8
3,608,693	9/1971	Stosberg et al.	.....	198/16
4,639,002	1/1987	Karpisek	.....	280/5.2
4,919,489	4/1990	Kopsco	.....	301/44 T



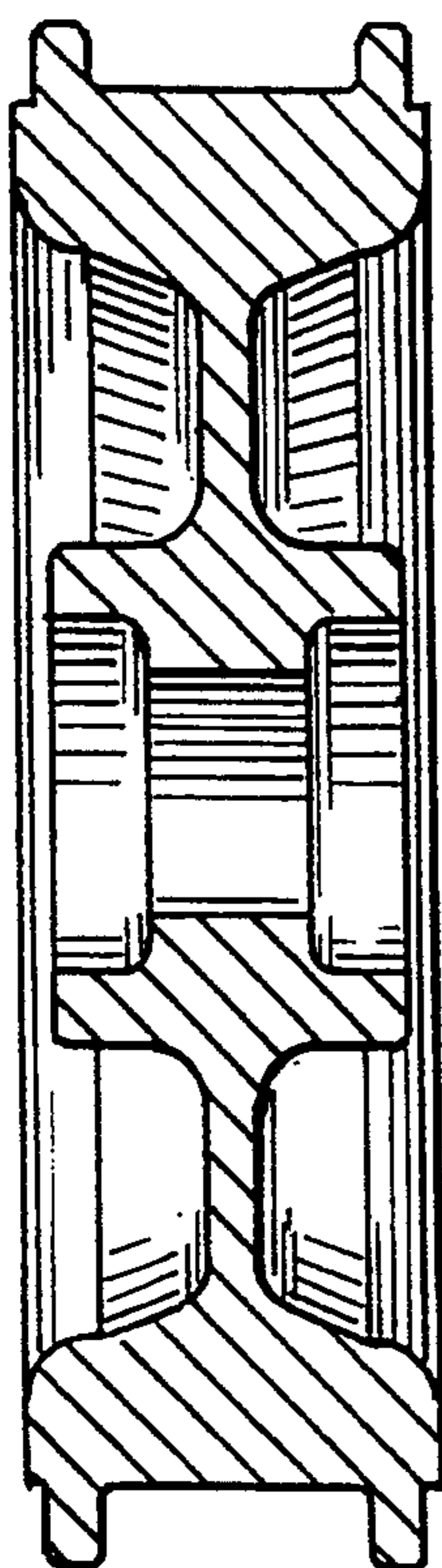
**FIG. 1**      3 →



**FIG. 2**      + → 4



**FIG. 3**      3 →



**FIG. 4**      + → 4

