



US00D353089S

# United States Patent [19]

[11] Patent Number: **Des. 353,089**

**Kähönen**

[45] Date of Patent: **\*\* Dec. 6, 1994**

[54] **PADLOCK**

[75] Inventor: **Hannu O. Kähönen, Helsinki, Finland**

[73] Assignee: **Abloy Security Ltd. Oy, Helsinki, Finland**

[\*\*] Term: **14 Years**

[21] Appl. No.: **11,227**

[22] Filed: **Jul. 30, 1993**

[30] **Foreign Application Priority Data**

Feb. 3, 1993 [FI] Finland ..... 65/93

[52] U.S. Cl. .... **D8/334**

[58] Field of Search ..... **D8/333, 334; 70/14, 70/20, 31, 32, 35, 38 R, 57, 58, 52, 55**

[56] **References Cited**

**U.S. PATENT DOCUMENTS**

D. 115,761 7/1939 Fraim ..... D8/334

D. 137,274	2/1944	Muller-Munk	.....	D8/334
D. 240,590	7/1976	Meisner	.....	D8/334
D. 315,090	3/1991	Pedersen	.....	D8/334
D. 339,055	9/1993	Ling	.....	D8/334
4,107,965	8/1978	Miller et al.	.....	70/52

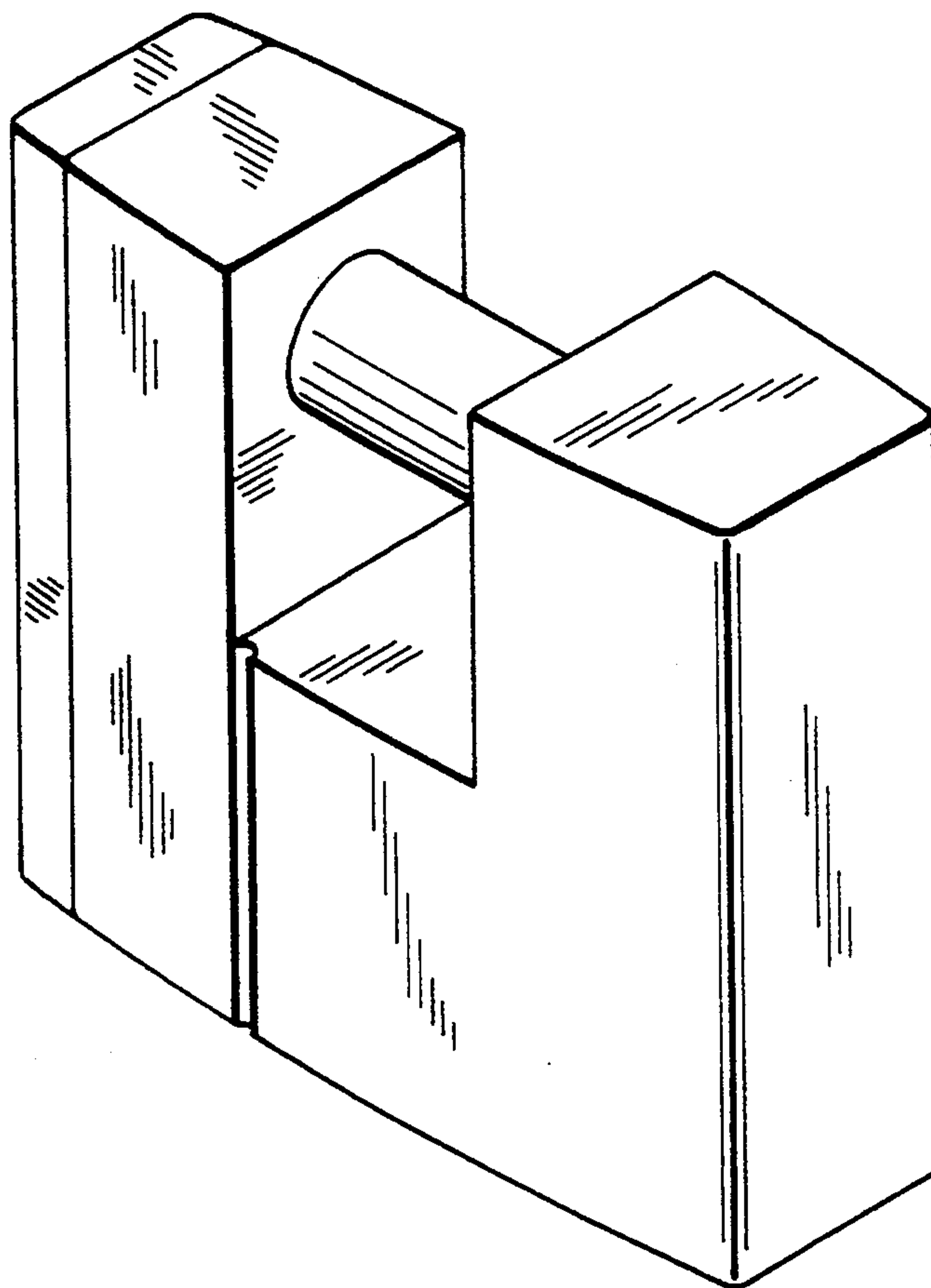
*Primary Examiner*—Brian N. Vinson  
*Attorney, Agent, or Firm*—Smith-Hill and Bedell

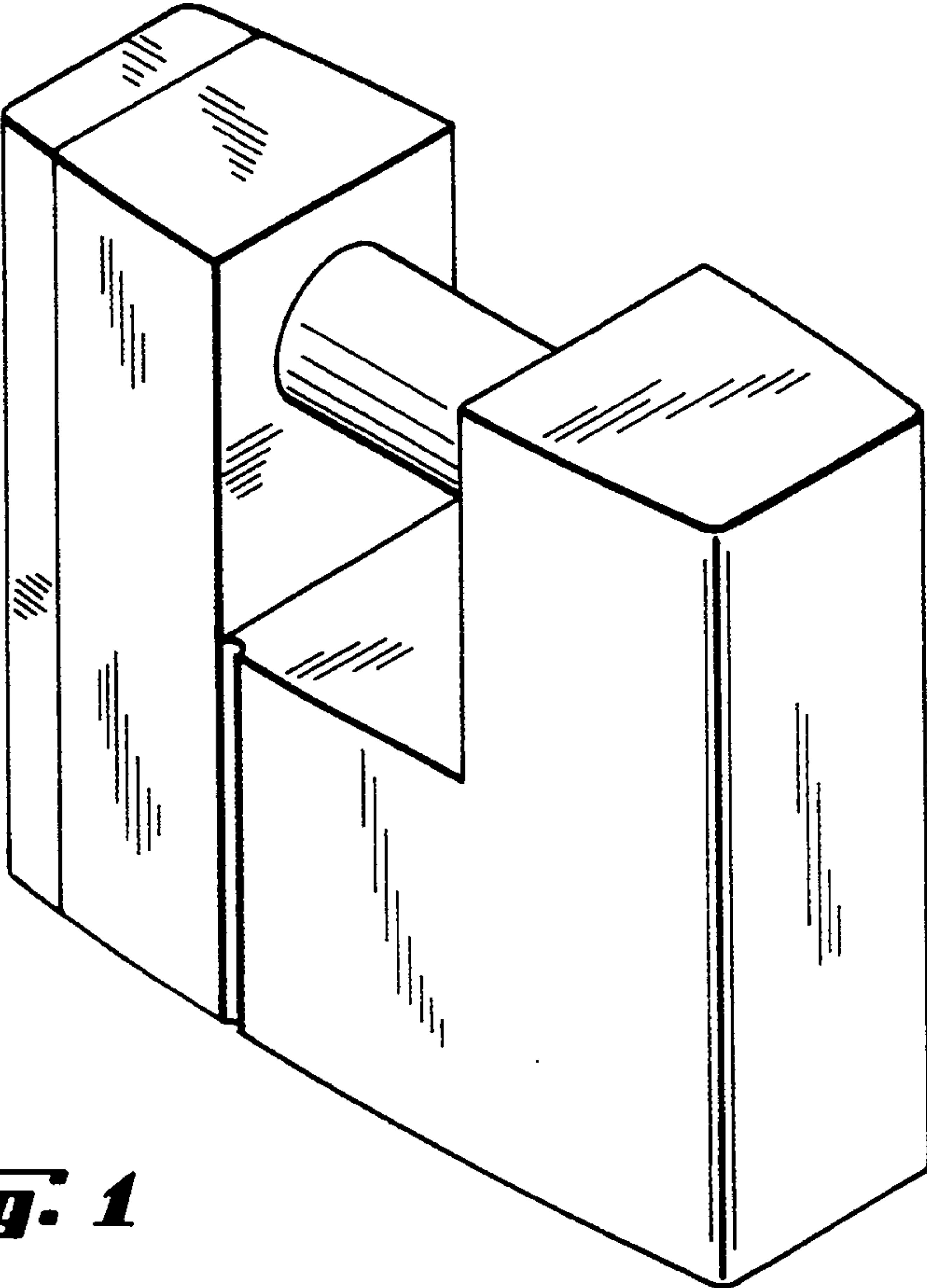
[57] **CLAIM**

The ornamental design for a padlock, as shown and described.

**DESCRIPTION**

FIG. 1 is a perspective view of a padlock showing my new design;  
FIG. 2 is a front elevation thereof;  
FIG. 3 is a rear elevation thereof;  
FIG. 4 is a right side elevation thereof;  
FIG. 5 is a left side elevation thereof;  
FIG. 6 is a top plan view thereof; and,  
FIG. 7 is a bottom plan view thereof.

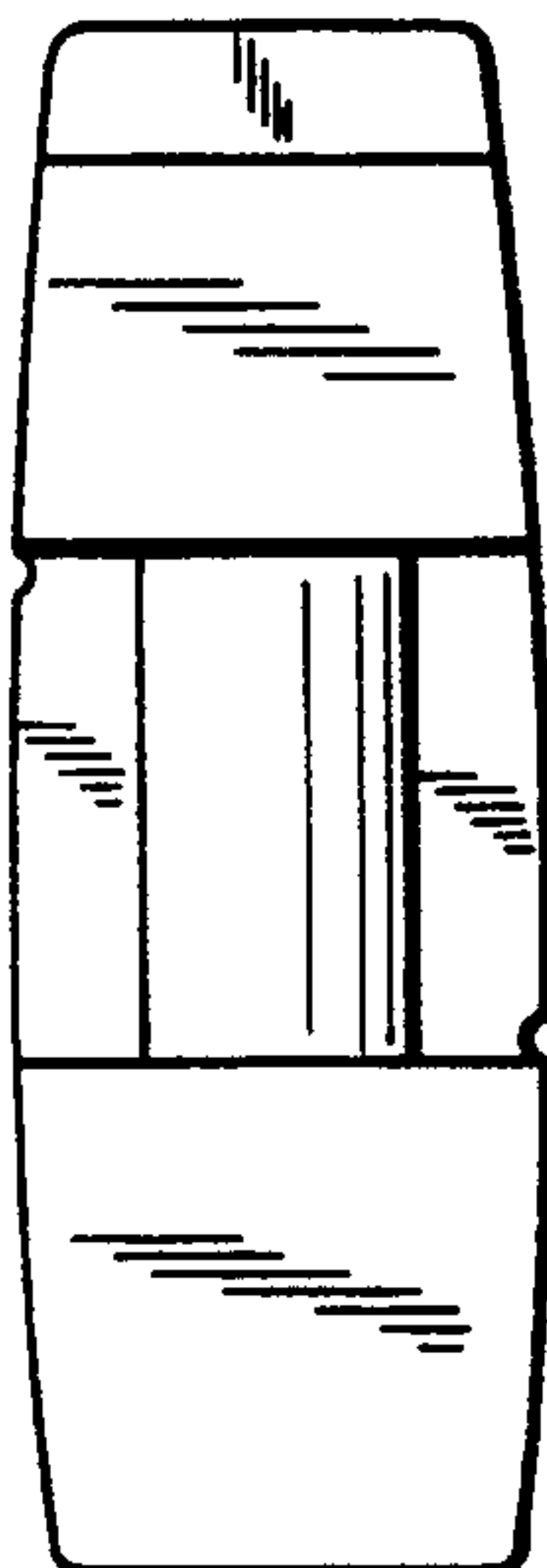




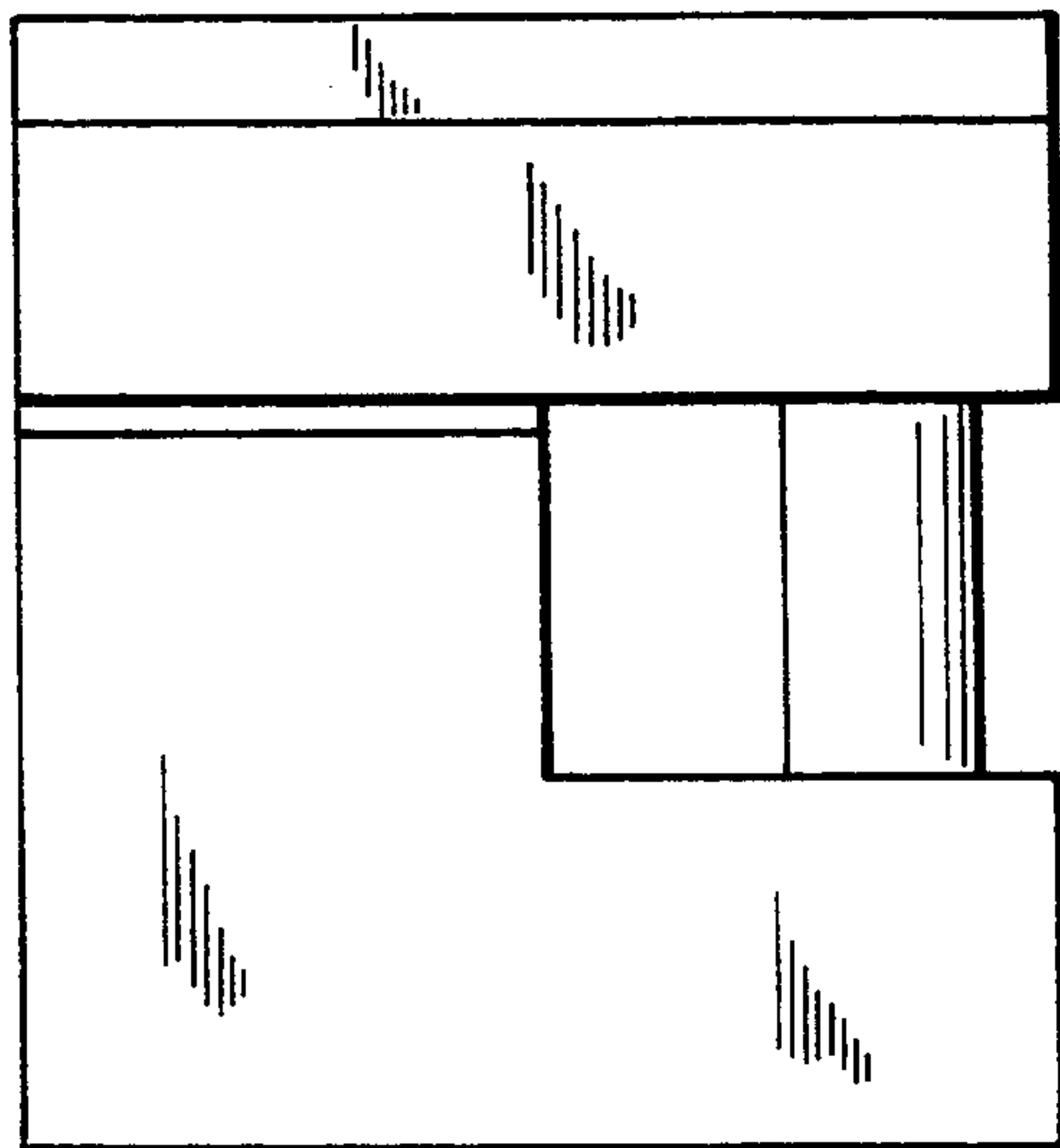
***Fig. 1***



**Fig. 1**



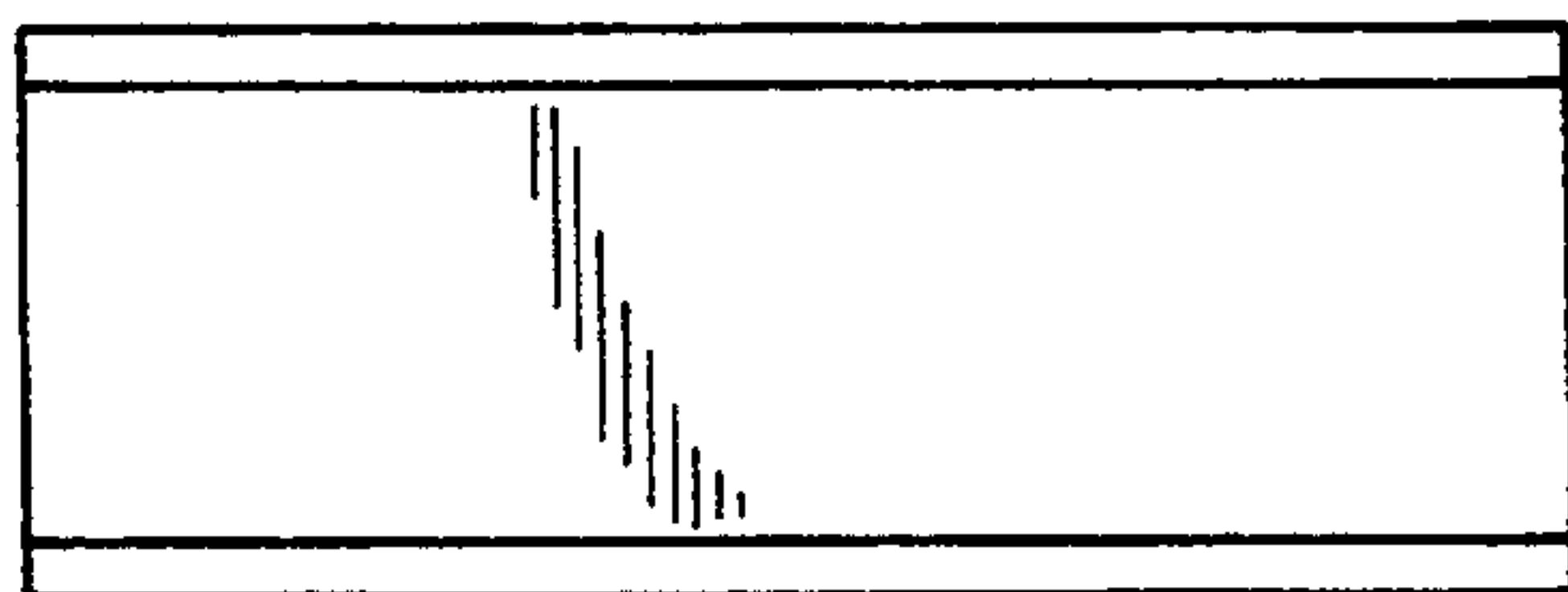
**Fig. 4**



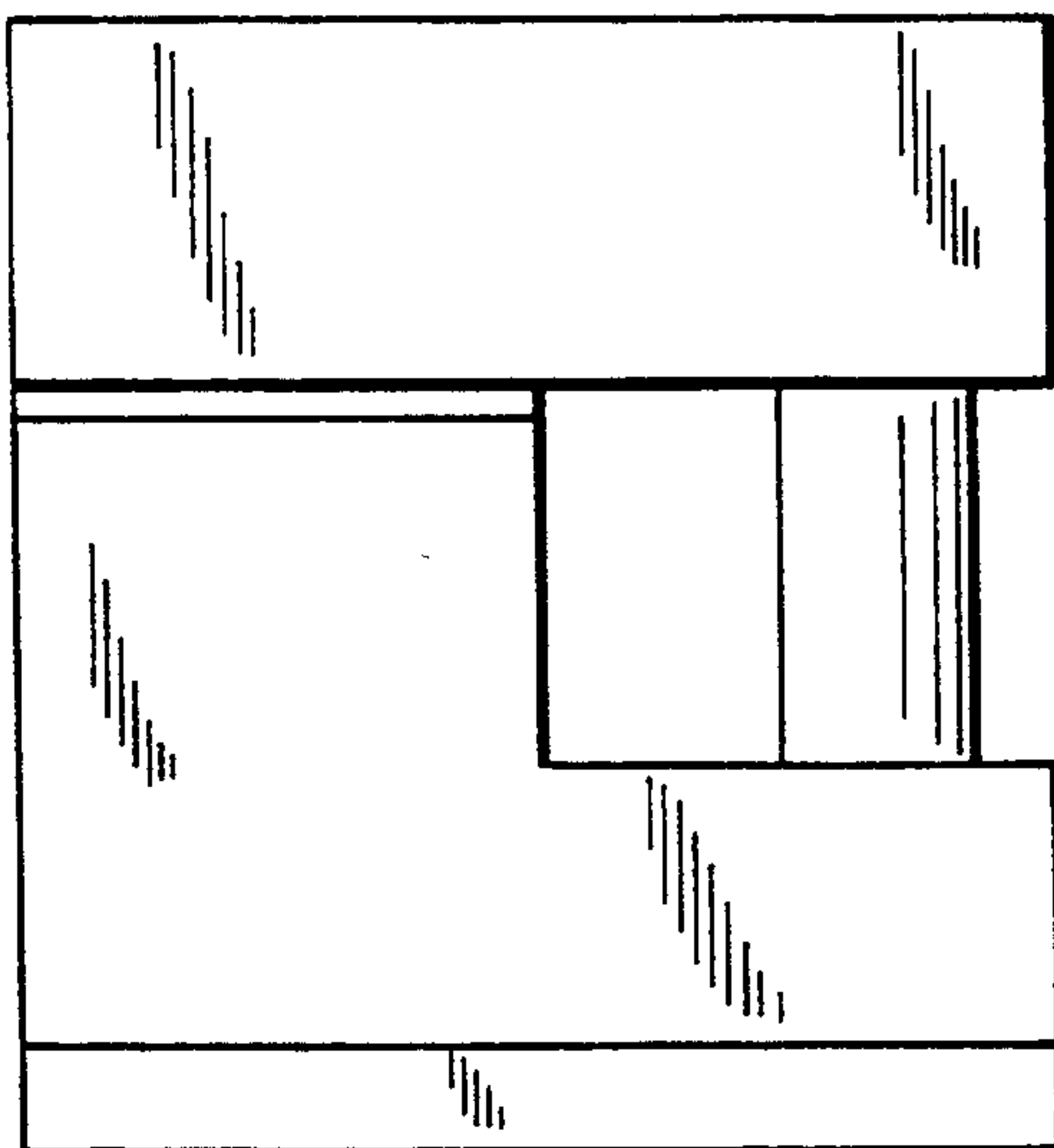
**Fig. 2**



**Fig. 5**



**Fig. 6**



**Fig. 3**