



US00D353084S

United States Patent [19]

[11] Patent Number: **Des. 353,084**

Kiyooka et al.

[45] Date of Patent: **** Dec. 6, 1994**

[54] **BUSH CUTTER**

[75] Inventors: **Katsumi Kiyooka, Tougane; Kouichi Shinoisuka, Chiba; Kaori Katoh, Chousei, all of Japan**

[73] Assignee: **Maruyama Mfg. Co., Inc., Tokyo, Japan**

[**] Term: **14 Years**

[21] Appl. No.: **6,396**

[22] Filed: **Mar. 26, 1993**

[30] Foreign Application Priority Data

Sep. 29, 1992 [JP]	Japan	4-28173
Sep. 29, 1992 [JP]	Japan	4-28174
Sep. 29, 1992 [JP]	Japan	4-28175

[52] U.S. Cl. **D8/8**

[58] Field of Search **D8/8; 30/276, 390, 264, 30/298.4, 216; 56/12.7; D15/10, 16**

[56] References Cited

U.S. PATENT DOCUMENTS

D. 216,947	3/1970	Caves	D8/8
D. 290,365	6/1987	Hatano et al.	D15/10
D. 326,270	5/1992	Wada et al.	D15/16
4,122,601	10/1978	Katsuya	30/276
4,916,886	4/1990	Nakamura et al.	30/276
4,987,732	1/1991	Terai et al.	D8/8

Primary Examiner—Wallace R. Burke

Assistant Examiner—H. Baynham

Attorney, Agent, or Firm—Cushman, Darby & Cushman

[57] CLAIM

The ornamental design for a bush cutter, as shown and described.

DESCRIPTION

FIG. 1 is a front view of a bush cutter embodying our design;

FIG. 2 is a back view thereof;

FIG. 3 is a top plan view thereof;

FIG. 4 is a bottom plan view thereof;

FIG. 5 is an enlarged left side elevational view thereof;

FIG. 6 is an enlarged right side elevational view thereof;

FIG. 7 is an enlarged front elevational view thereof;

FIG. 8 is an enlarged back elevational view thereof;

FIG. 9 is an enlarged top plan view thereof;

FIG. 10 is an enlarged bottom plan view thereof;

FIG. 11 is a front elevation view of a second embodiment of a bush cutter according to our design;

FIG. 12 is a top plan view thereof;

FIG. 13 is a left side elevational view thereof;

FIG. 14 is a right side elevational view;

FIG. 15 is a front elevational view of a third embodiment of a bush cutter according to our design;

FIG. 16 is a top plan view thereof;

FIG. 17 is an enlarged left side elevational view thereof; and,

FIG. 18 is an enlarged right side elevational view thereof.

The shaft is shown broken away in FIGS. 7-10 for ease of illustration. The undisclosed rear views of the second and third embodiments are identical to that shown in FIG. 8.

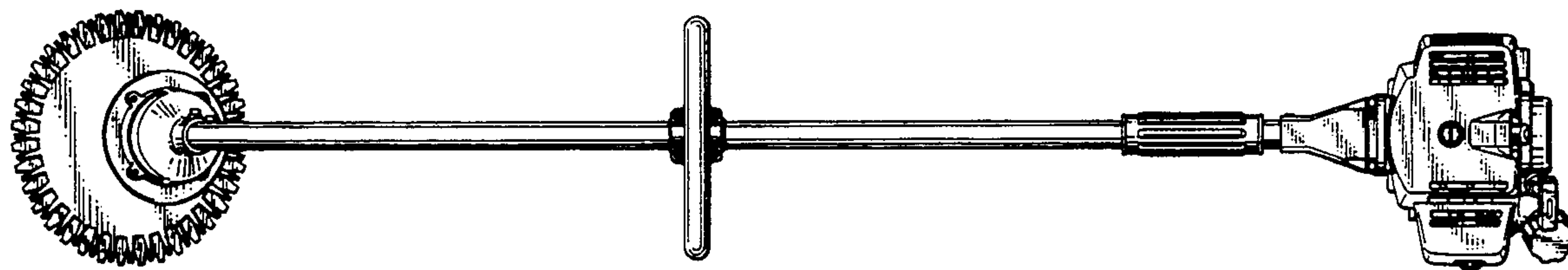


FIG. 1

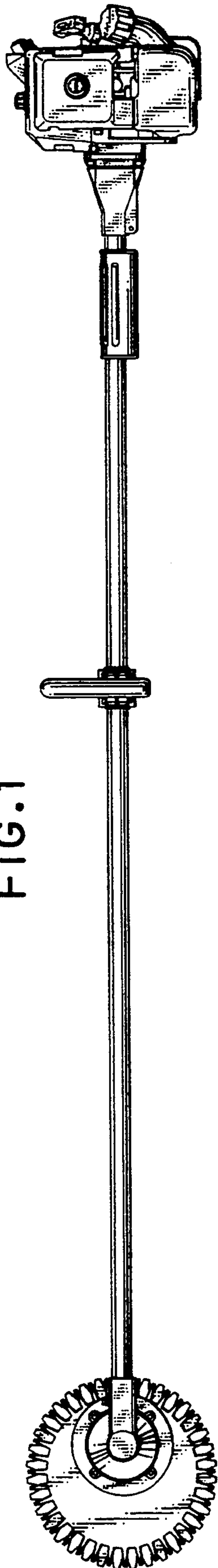


FIG. 2

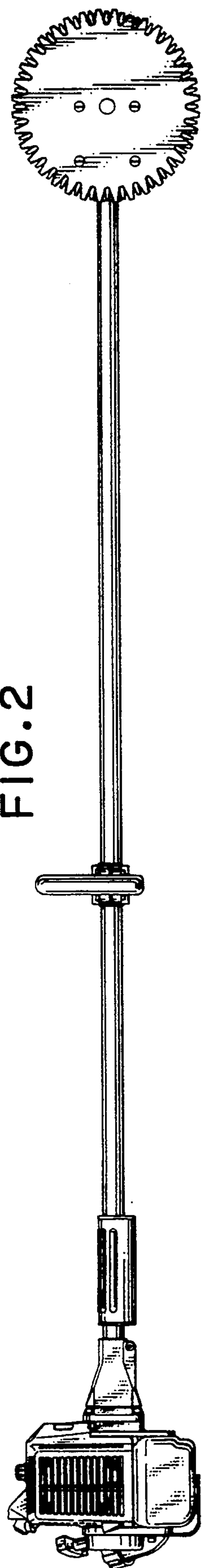


FIG. 3

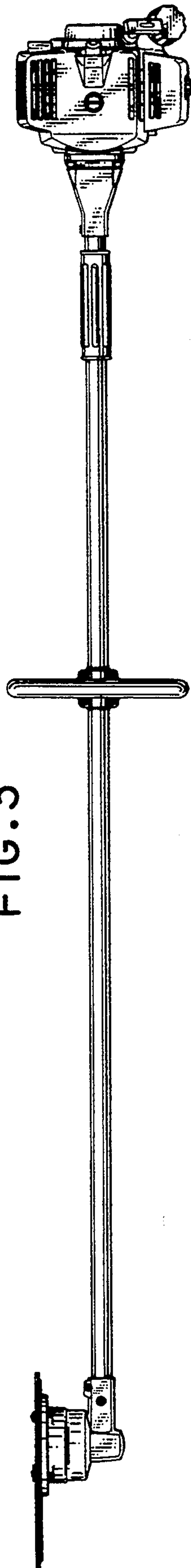


FIG. 4

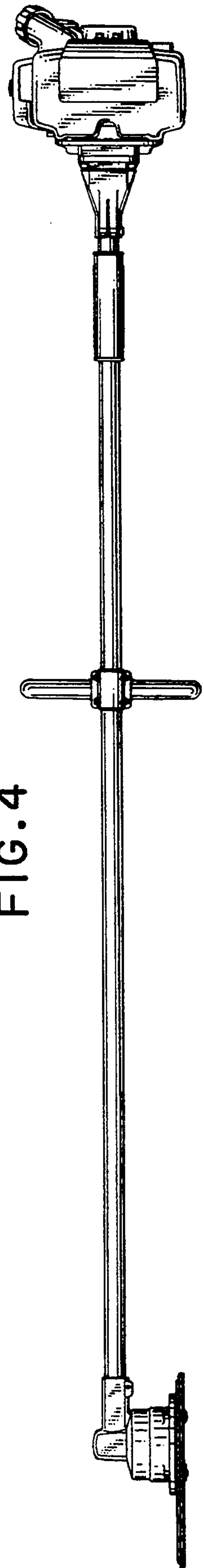


FIG. 5

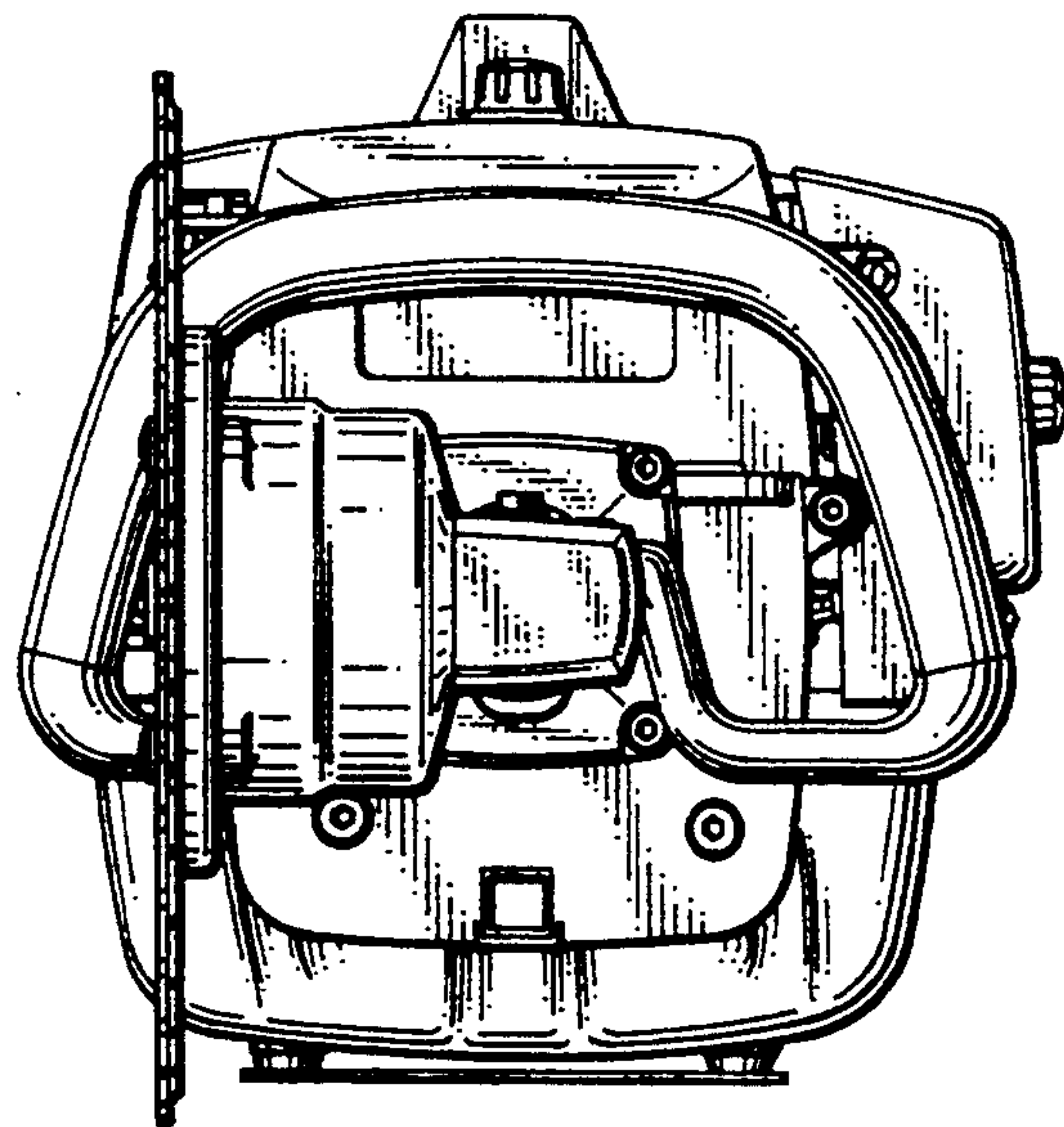
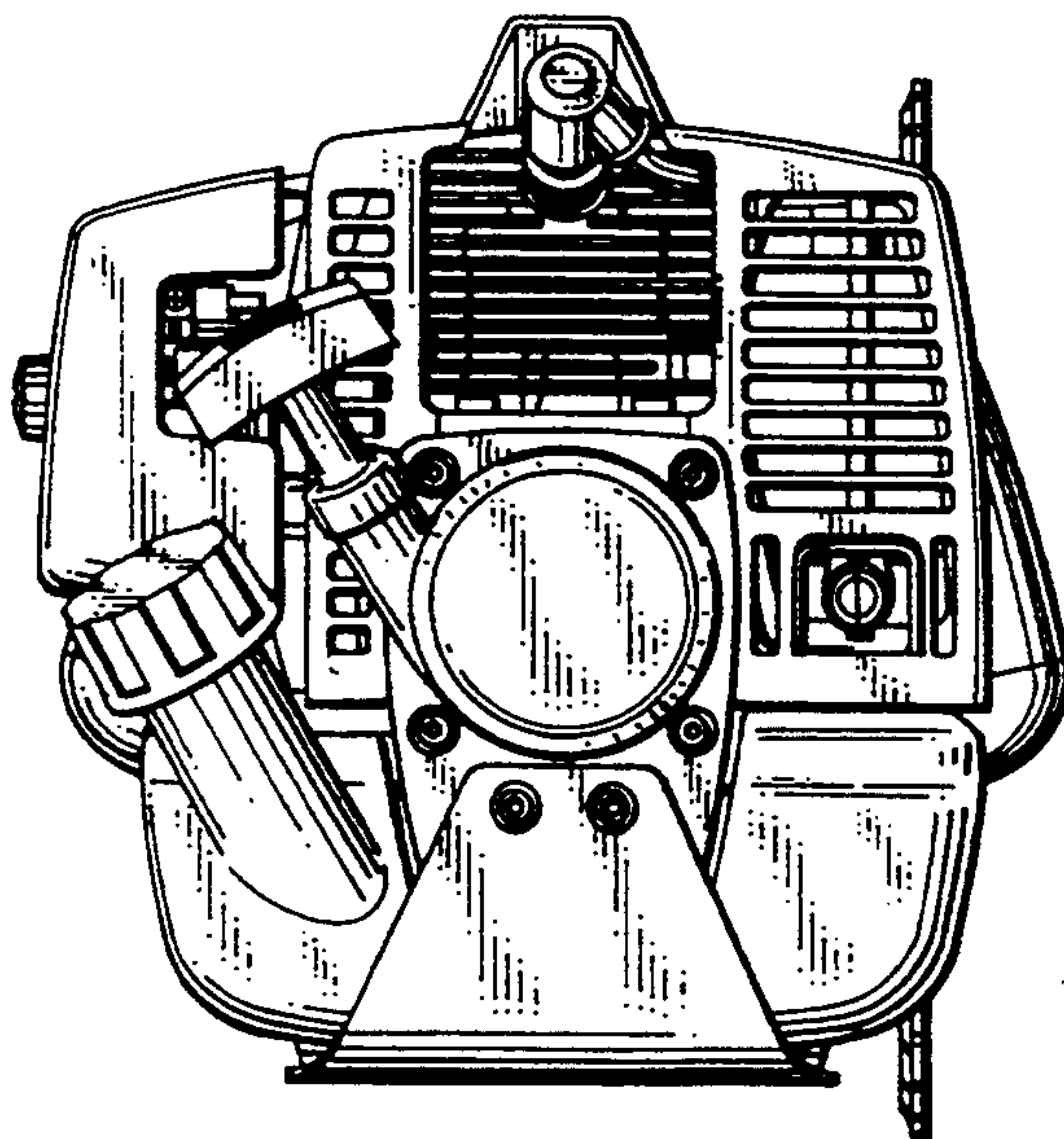
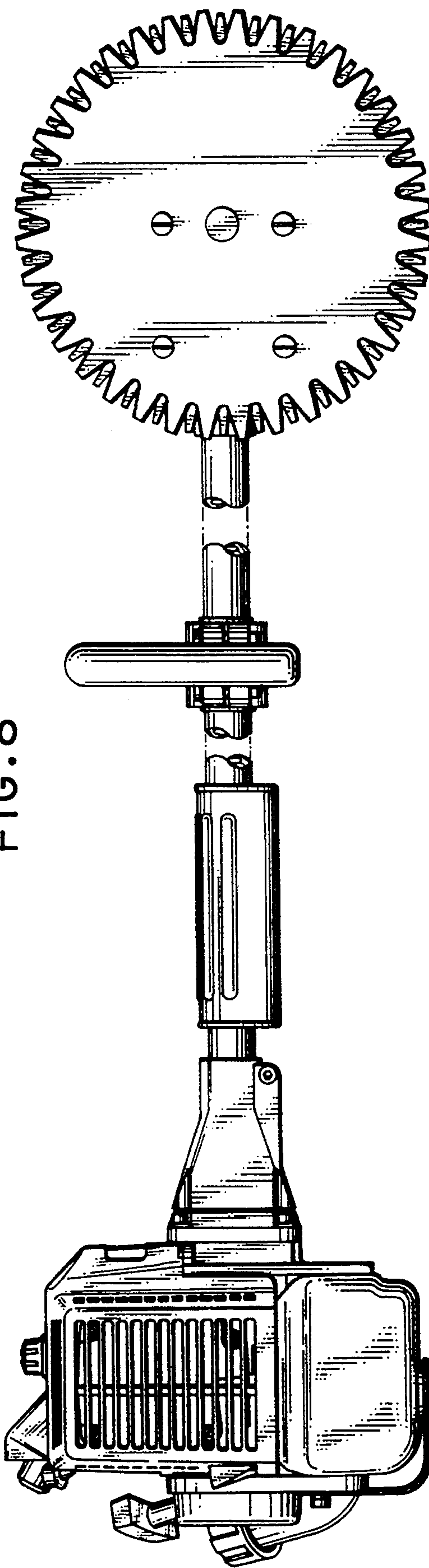
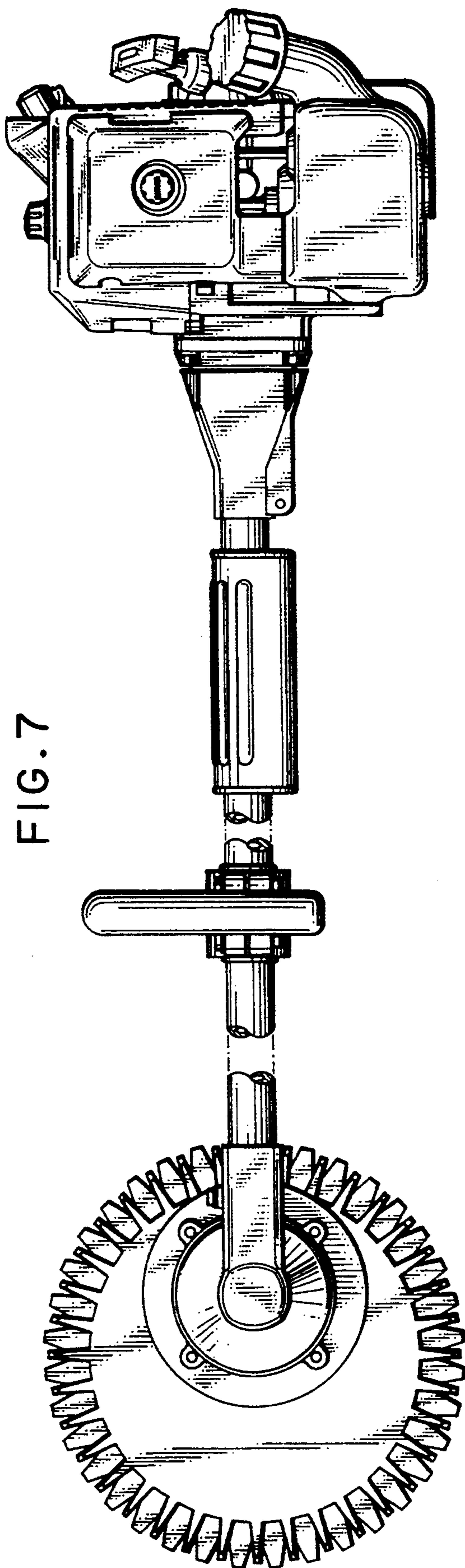


FIG. 6





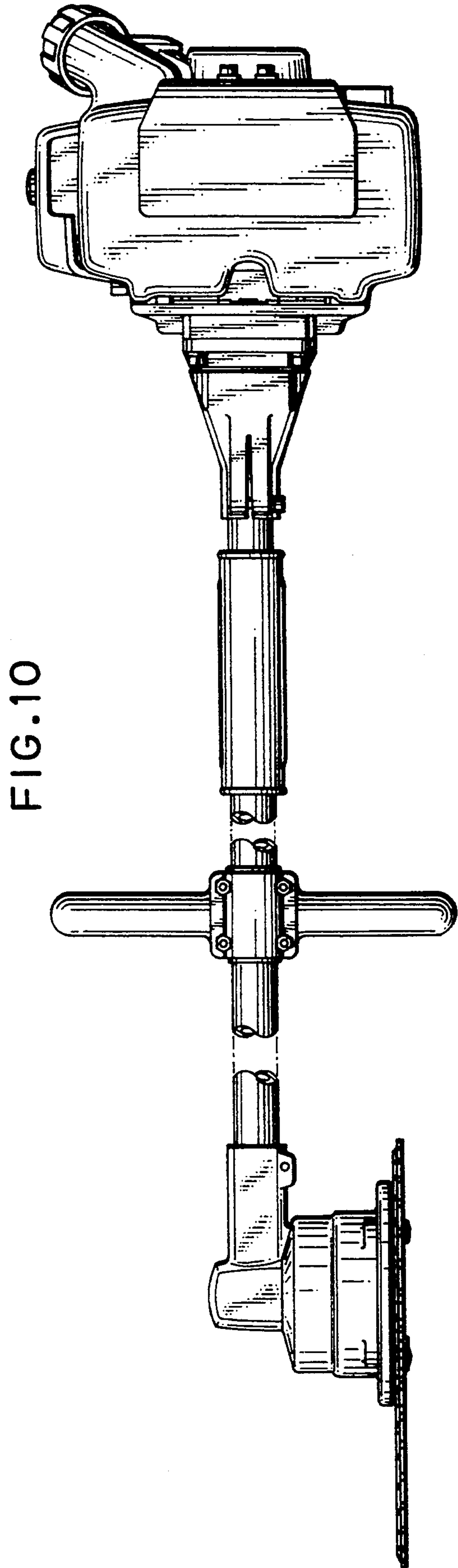
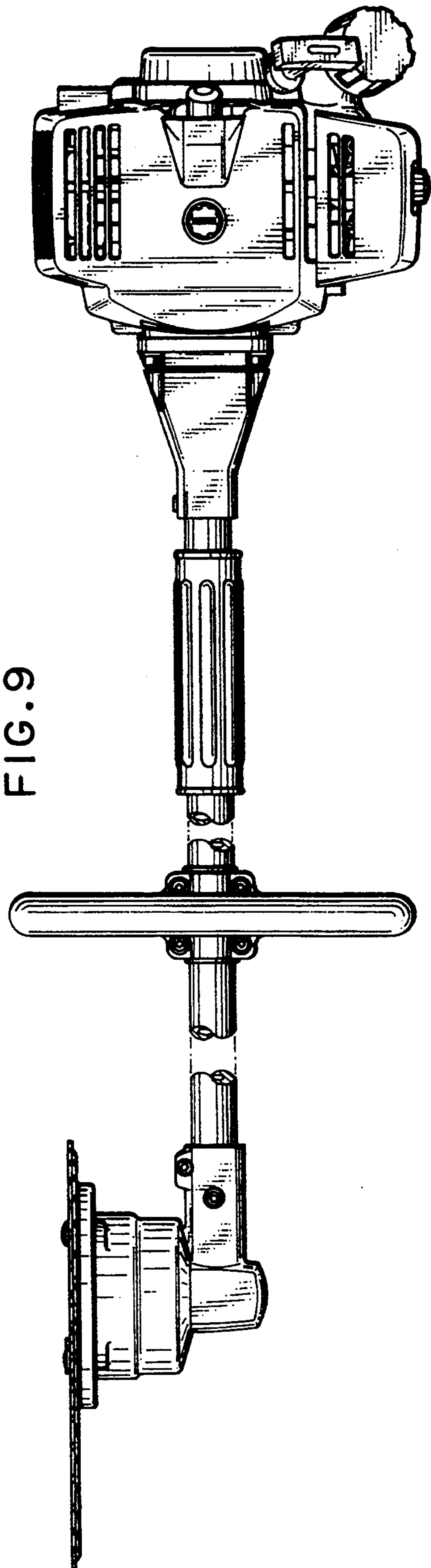
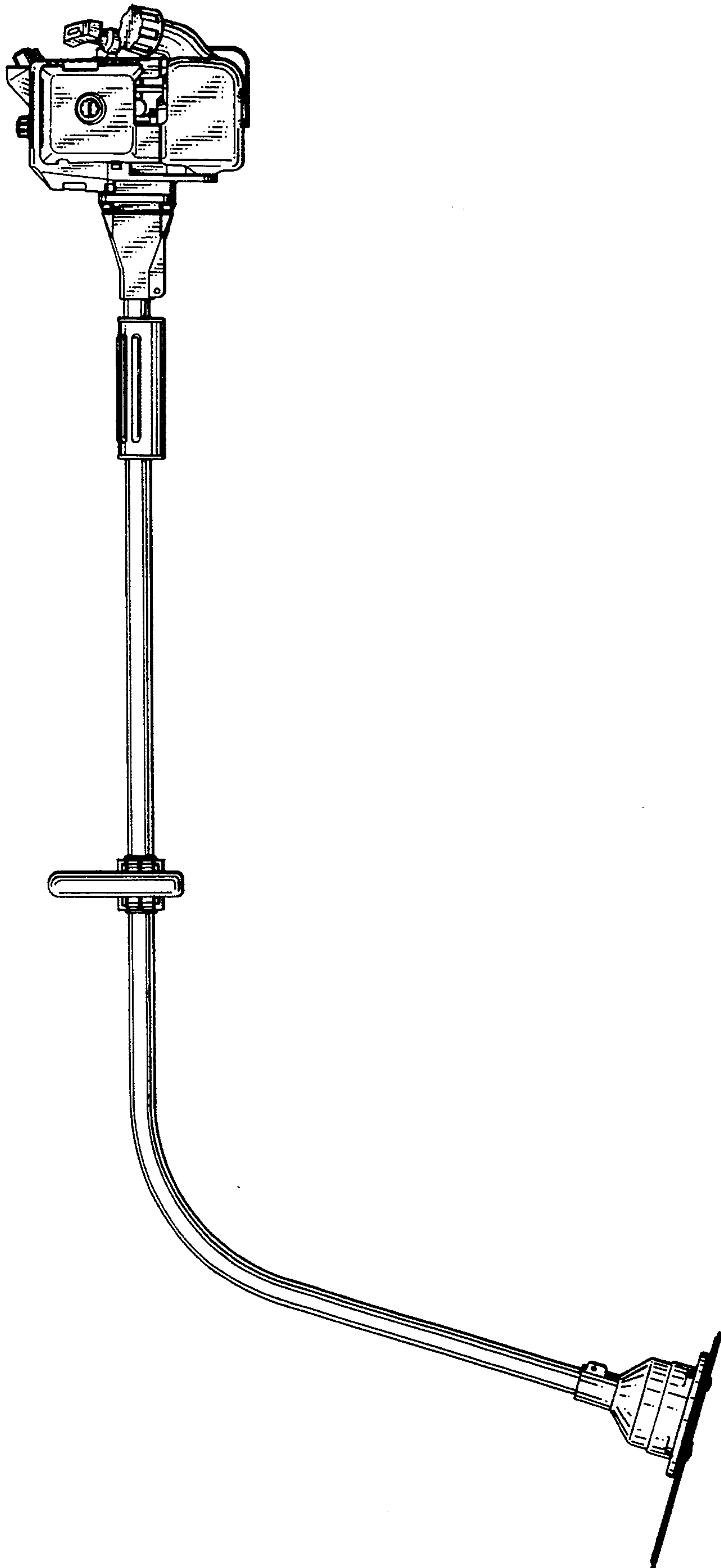


FIG. 11



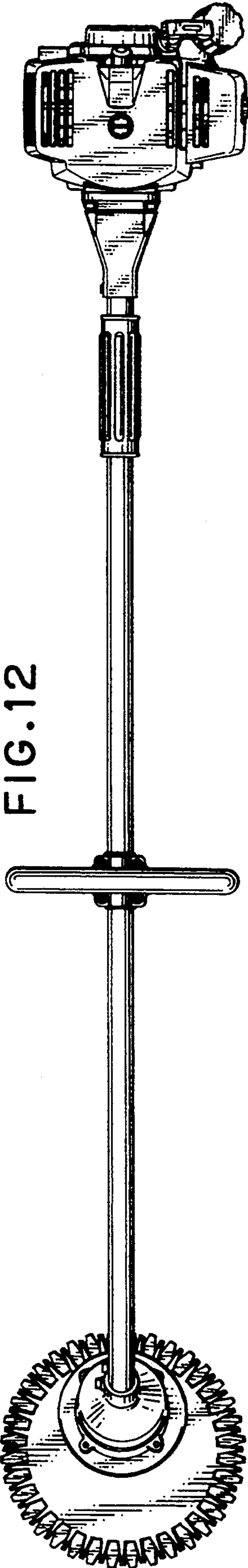


FIG. 12

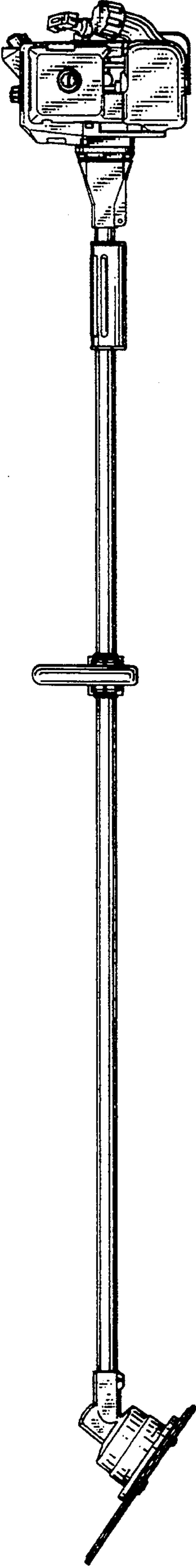


FIG. 15

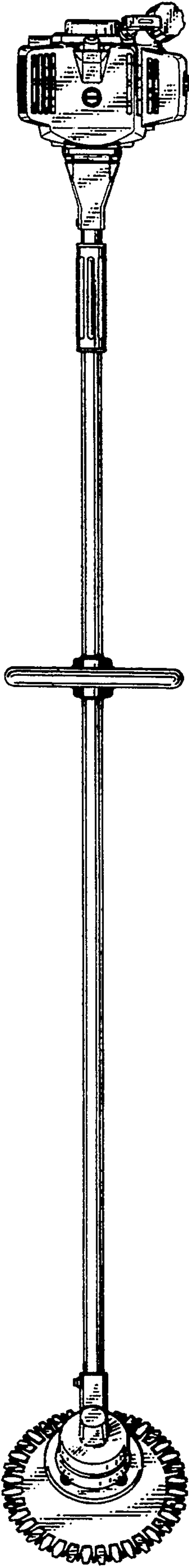


FIG. 16

FIG.13

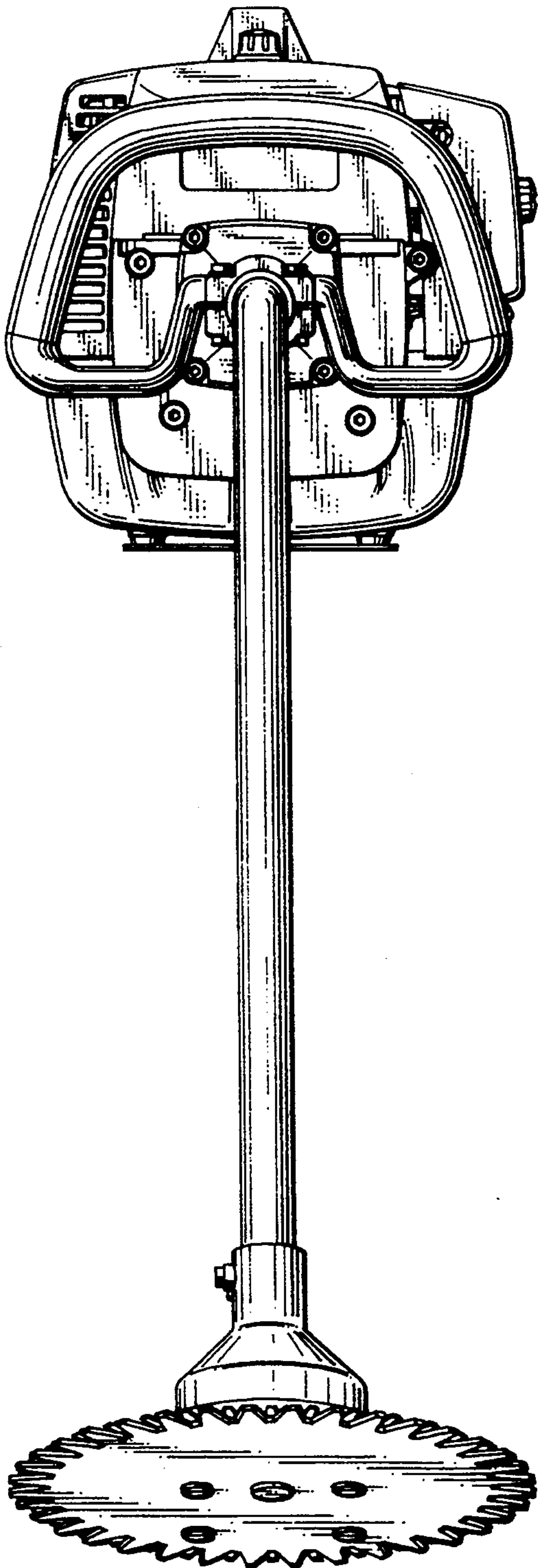


FIG.14

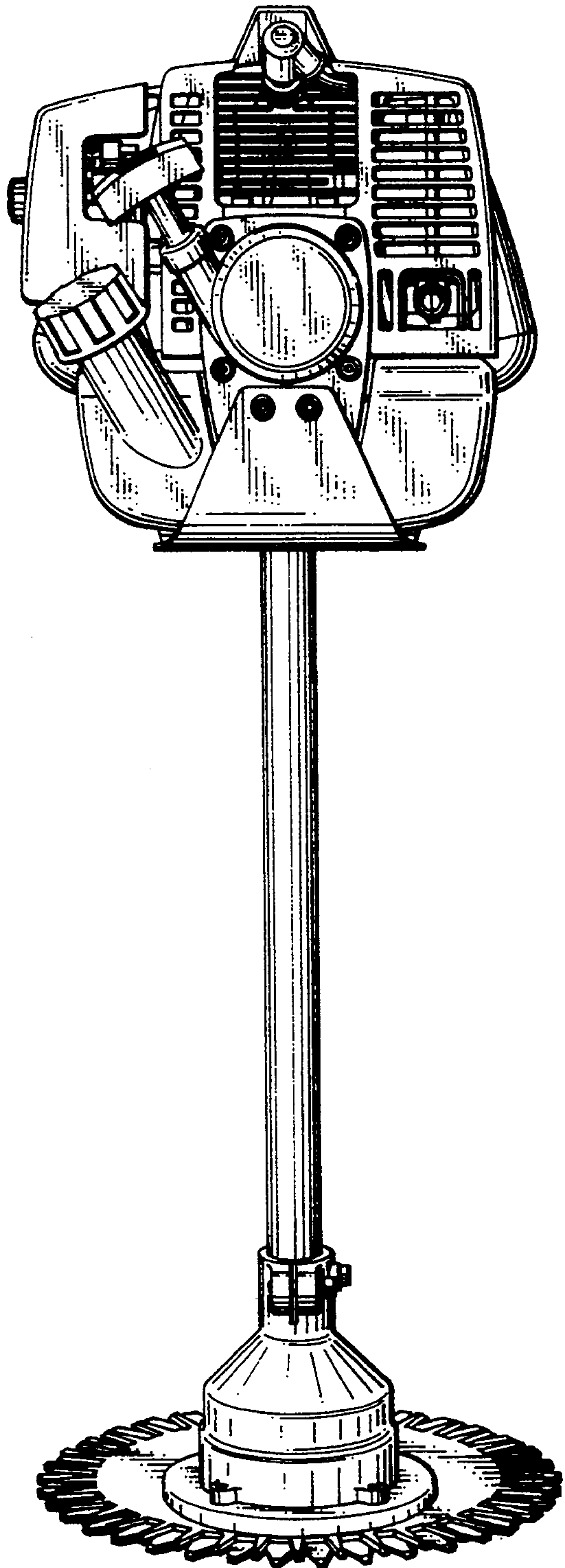


FIG.17

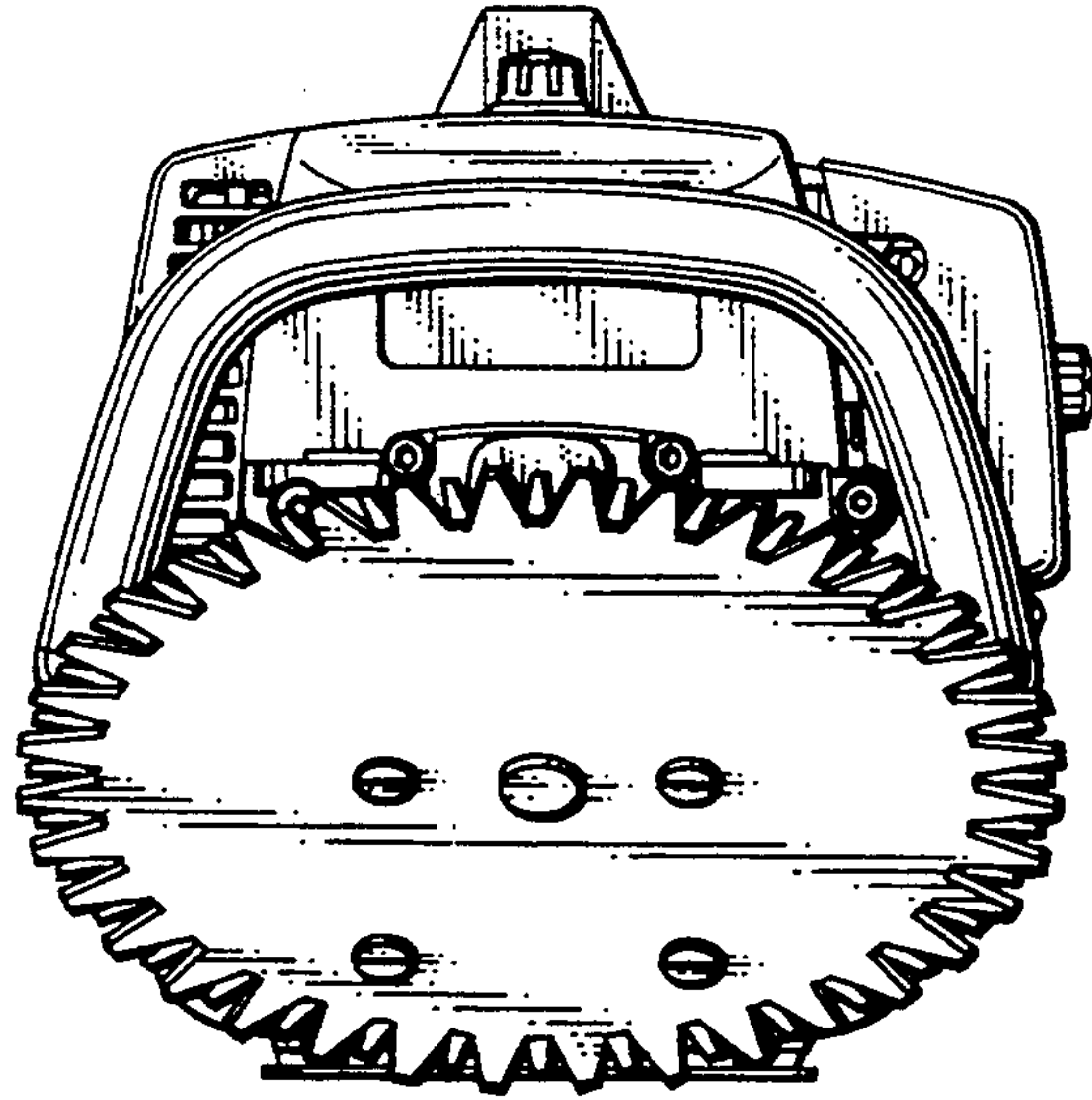


FIG.18

