



US00D353083S

United States Patent [19]

[11] Patent Number: **Des. 353,083**

Simon

[45] Date of Patent: **** Dec. 6, 1994**

[54] **CARRYING CASE FOR PLUMBING SUPPLIES**

D. 343,106 1/1994 Eklind et al. D19/85
3,913,778 10/1975 Oglesbee 206/203

[76] Inventor: **John C. Simon, Rte. 3, Box 121C, Falls City, Nebr. 68355**

Primary Examiner—Alan P. Douglas
Assistant Examiner—Jeffrey H. Musgrove
Attorney, Agent, or Firm—Zarley, McKee, Thomte, Voorhees & Sease

[**] Term: **14 Years**

[21] Appl. No.: **12,760**

[57] **CLAIM**

[22] Filed: **Sep. 8, 1993**

The ornamental design for carrying case for plumbing supplies, as shown and described.

[52] U.S. Cl. **D8/71**

[58] Field of Search **D8/71; 206/378, 214, 206/224, 371, 203, 206, 427; 211/69.1, 69.9; 220/500, 505; 294/159; D19/77, 85**

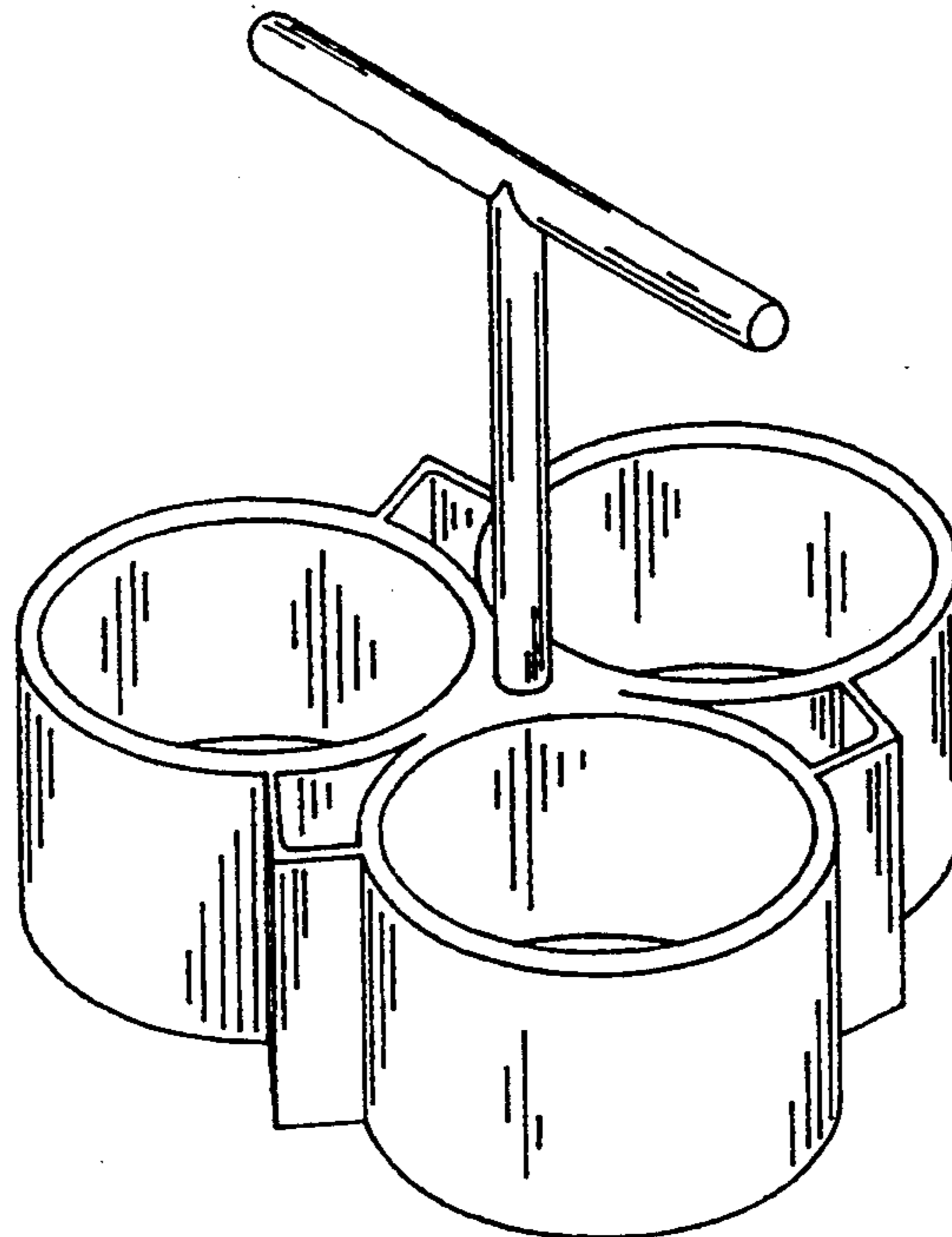
DESCRIPTION

[56] **References Cited**

U.S. PATENT DOCUMENTS

D. 256,425 8/1980 Hayes D8/71
D. 328,472 8/1992 Ancona et al. D8/71
D. 333,769 3/1993 Jureckson D8/71
D. 340,071 10/1919 3Sun D19/85

FIG. 1 is a perspective view of the carrying case showing my new design;
FIG. 2 is a top plan view thereof;
FIG. 3 is a side elevational view taken from the left side of **FIG. 2**, the right side elevational view being identical thereto;
FIG. 4 is a front elevational view thereof;
FIG. 5 is a rear elevational view thereof; and,
FIG. 6 is a bottom plan view thereof.



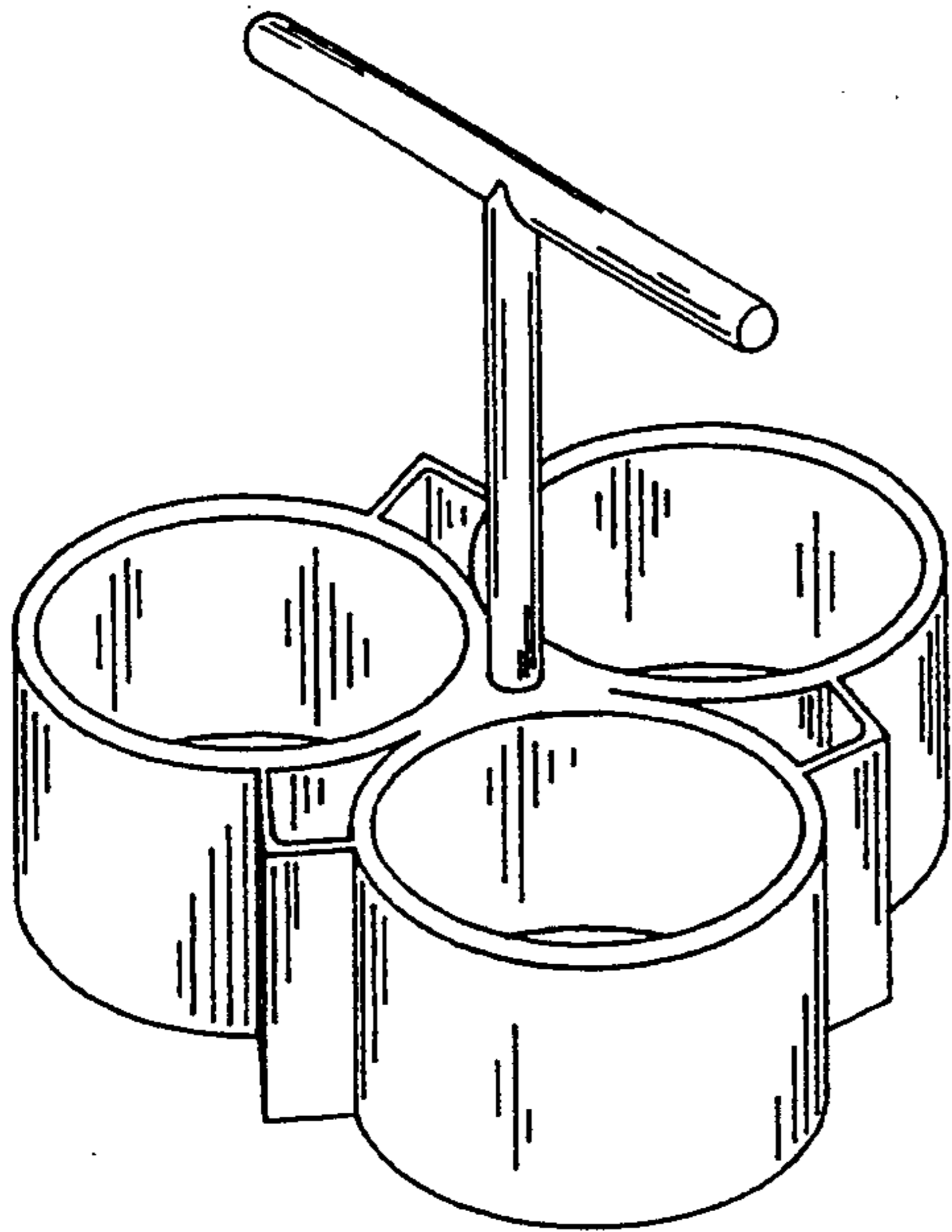


FIG. 1

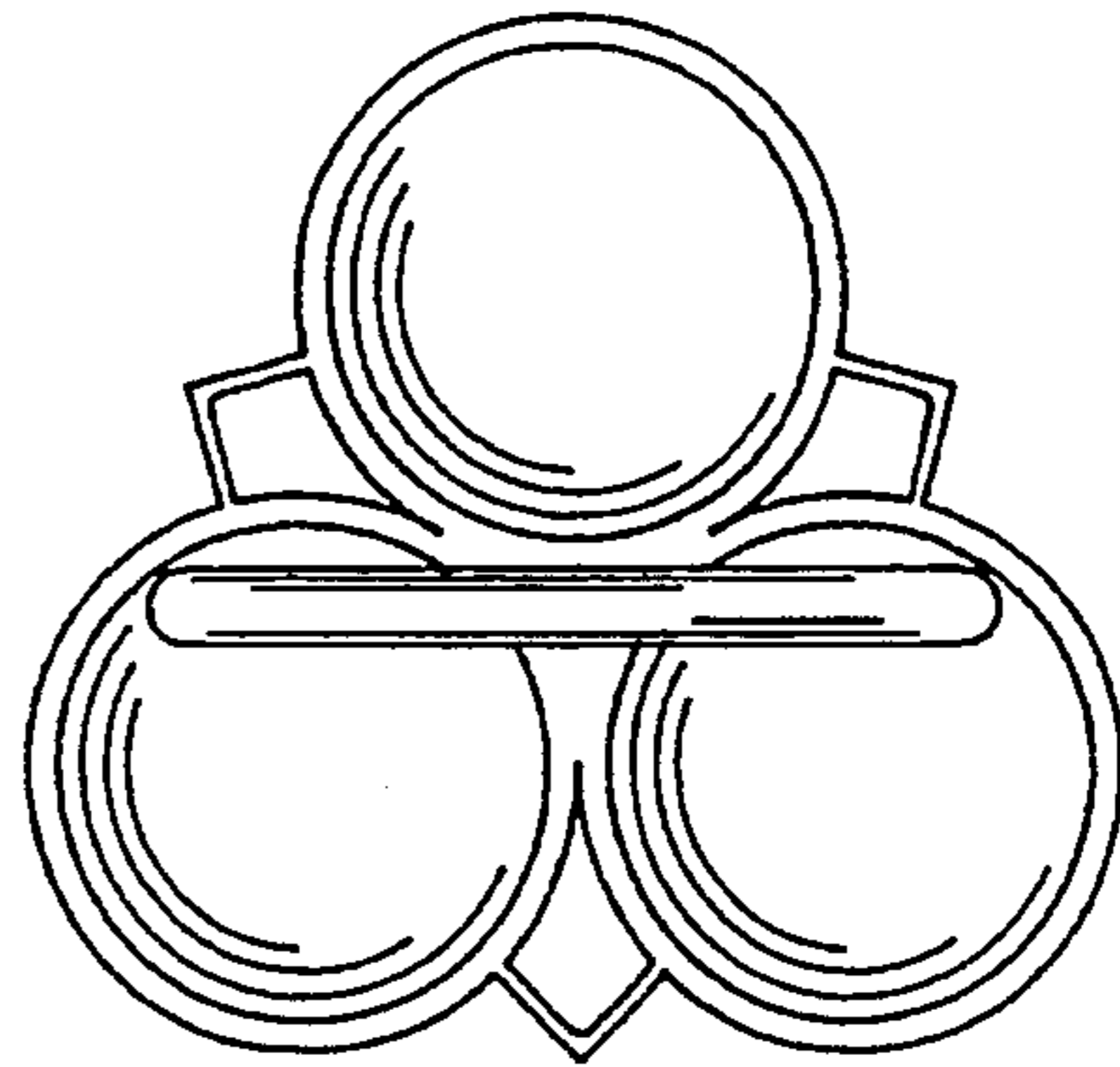


FIG. 2

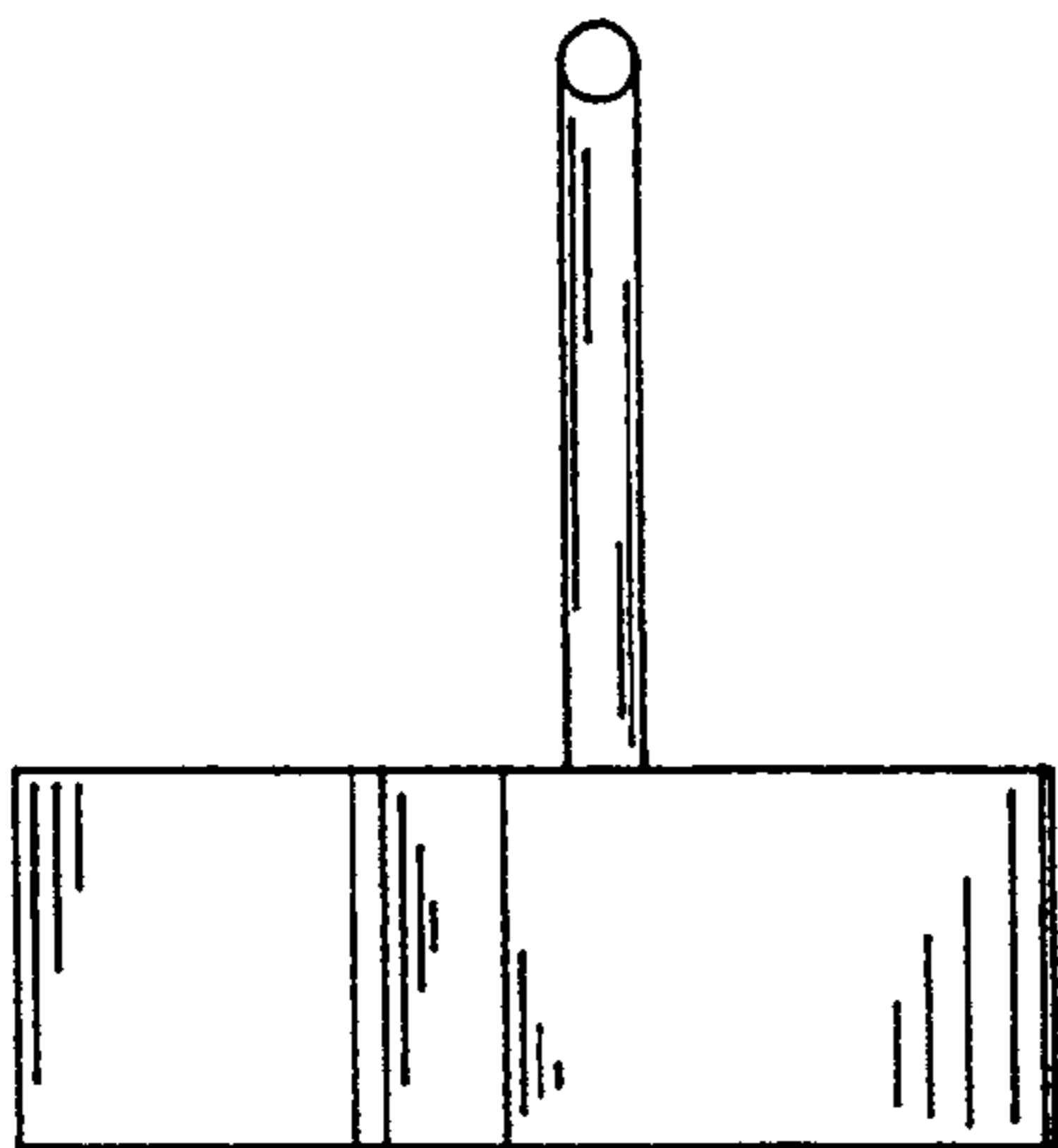


FIG. 3

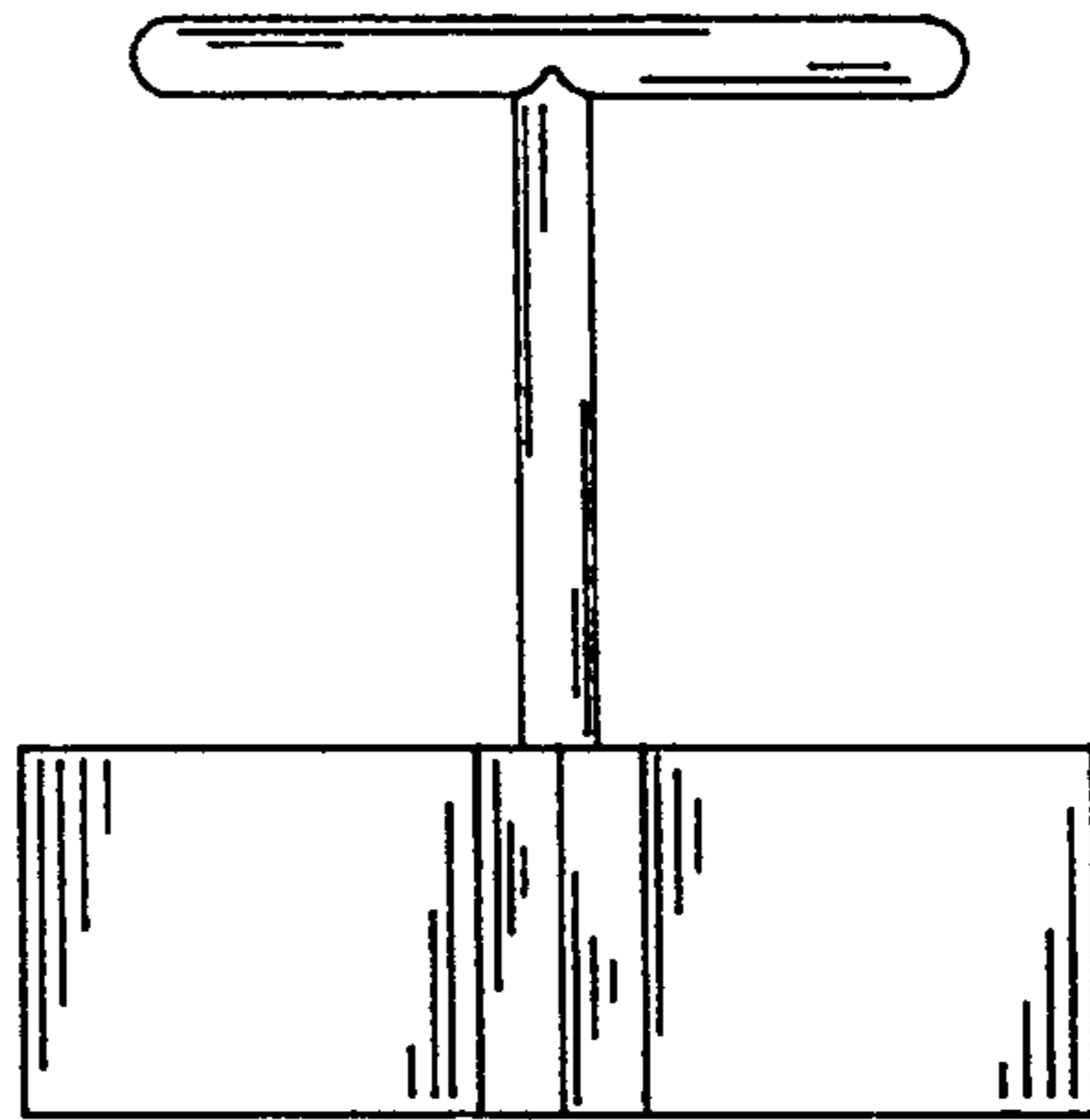


FIG. 4

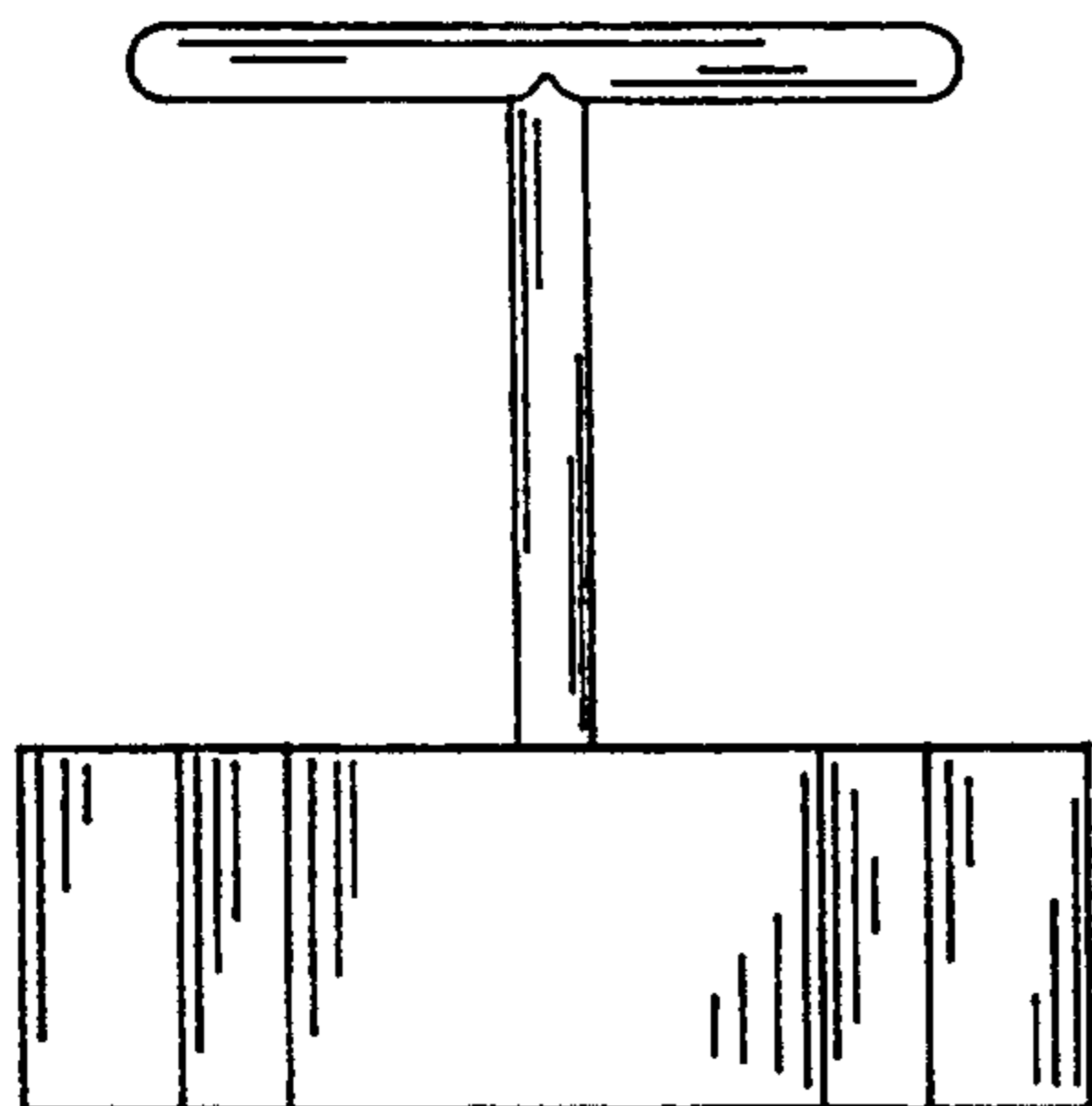


FIG. 5

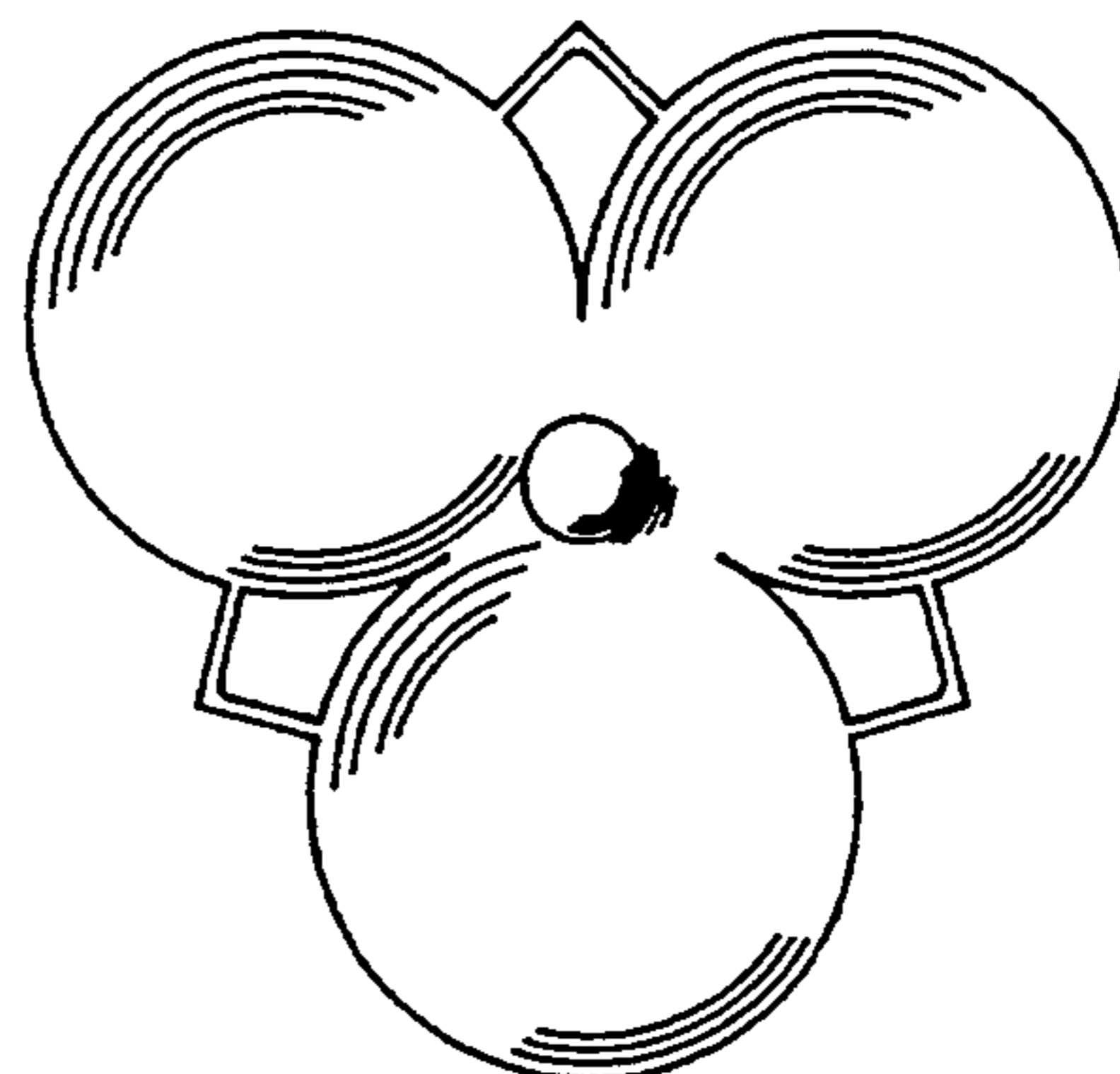


FIG. 6