



US00D353082S

United States Patent [19]

[11] Patent Number: **Des. 353,082**

Keven

[45] Date of Patent: **** Dec. 6, 1994**

[54] **CUP HOLDER**

5,170,980 12/1992 Burrows 224/42.45 RX
5,259,580 11/1993 Anderson et al. 224/42.45 RX

[76] Inventor: **Russell Keven, 1252 Coyote Creek Pl., San Jose, Calif. 95116**

Primary Examiner—Terry A. Wallace
Attorney, Agent, or Firm—Blakely, Sokoloff, Taylor & Zafman

[**] Term: **14 Years**

[21] Appl. No.: **9,282**

[57] **CLAIM**

[22] Filed: **Jun. 9, 1993**

The ornamental design for a cup holder, as shown and described.

[52] U.S. Cl. **D7/701; D12/420**

[58] Field of Search **D7/701-708;**
108/44, 46; 206/562, 564; 211/71, 74, 75;
224/273, 42.45 R; 248/311.2; D12/419-420

DESCRIPTION

[56] **References Cited**

FIG. 1 is a perspective view of a cup holder showing my new design;
FIG. 2 is a top view thereof;
FIG. 3 is a bottom view thereof;
FIG. 4 is a front view thereof;
FIG. 5 is a back view thereof; and,
FIG. 6 is a side view thereof.

U.S. PATENT DOCUMENTS

D. 322,512 12/1991 Andrykovitz D12/420
2,574,250 11/1951 Dalton 224/42.45 R

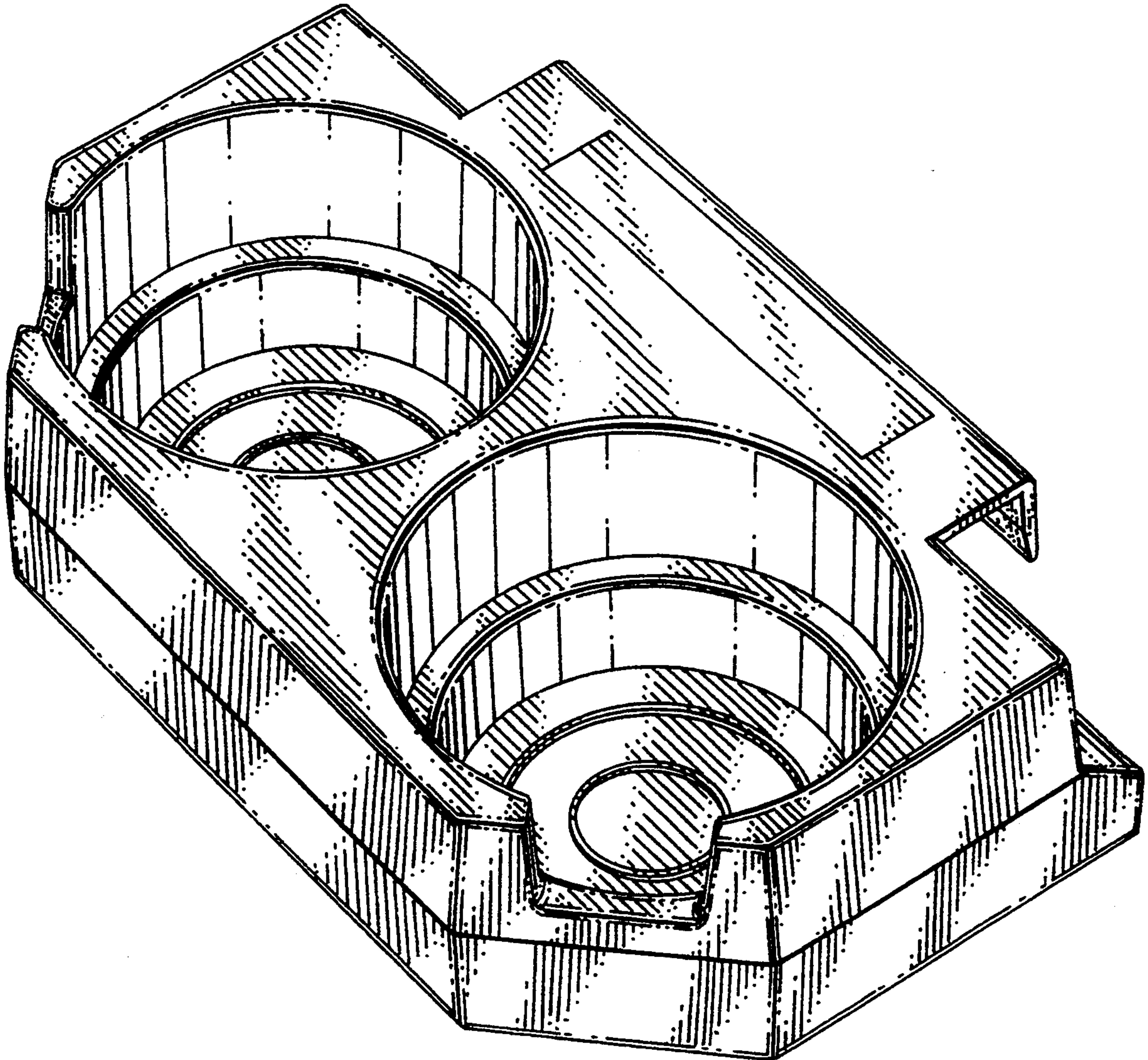


FIG 1

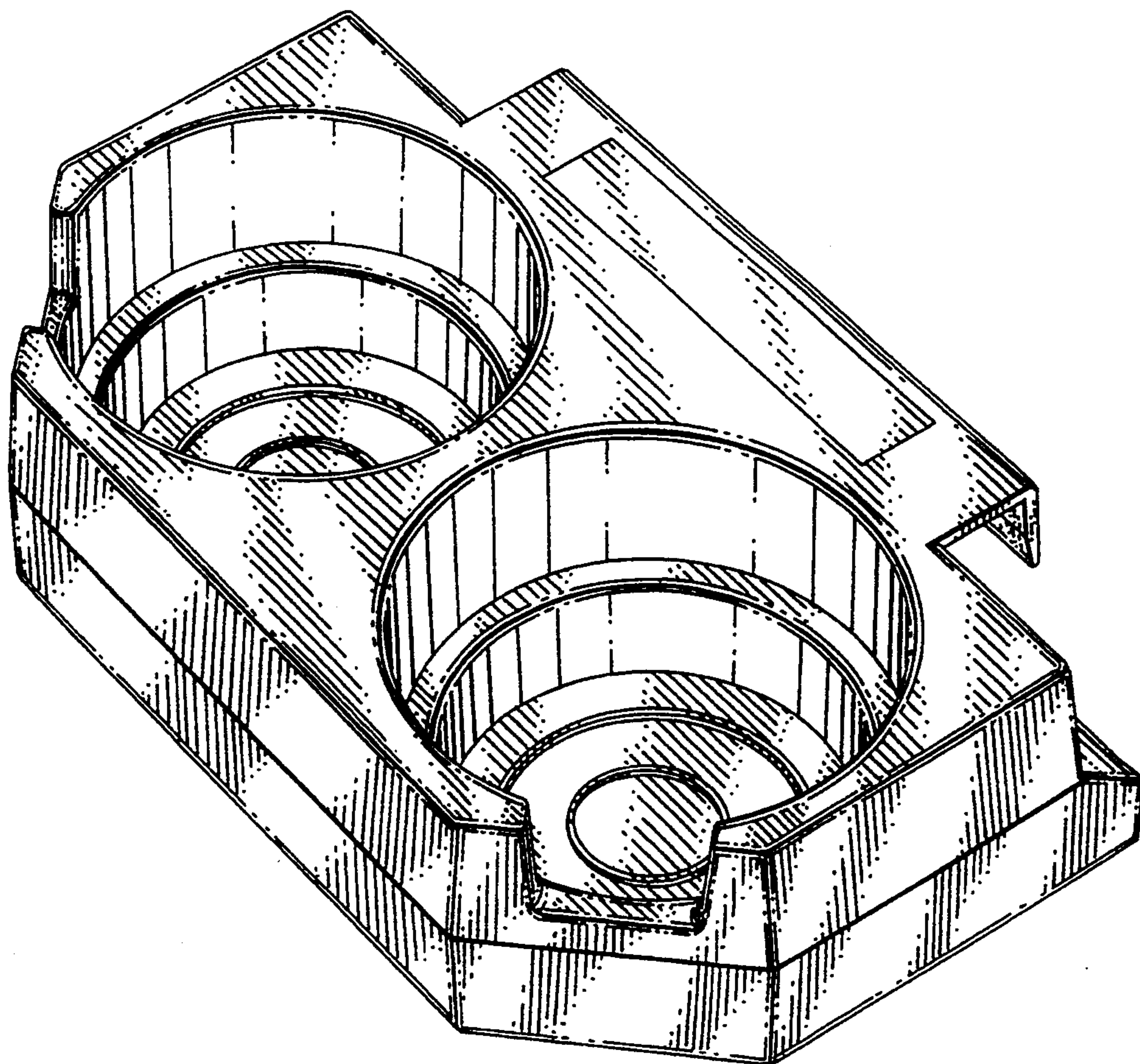


FIG 2

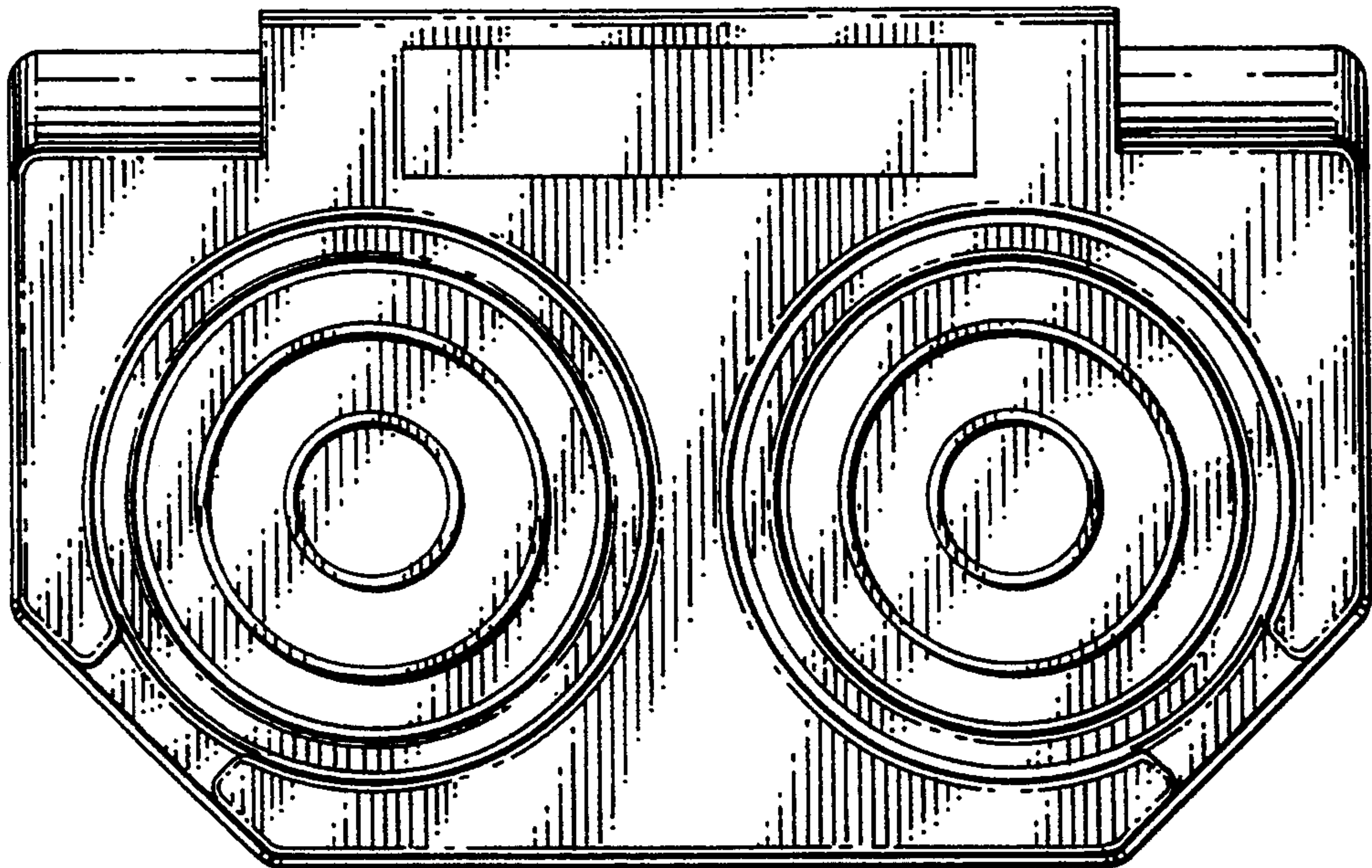


FIG 3

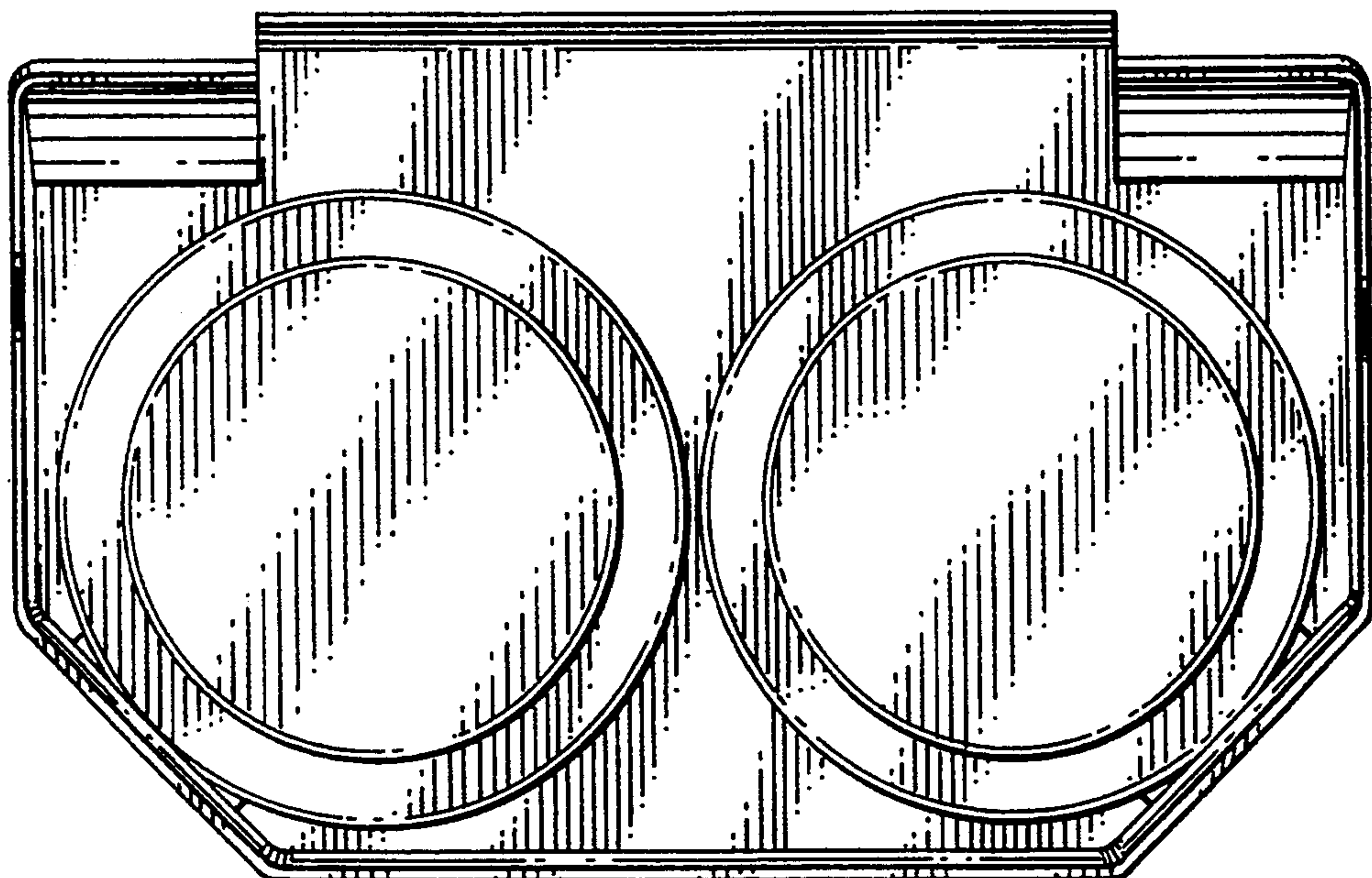


FIG 4

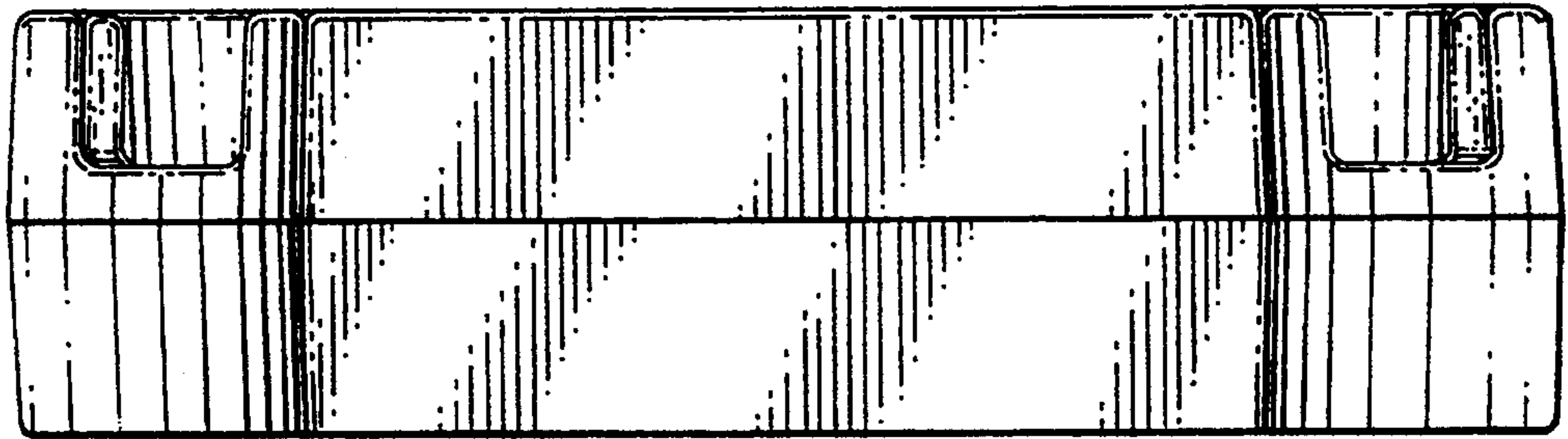


FIG 5

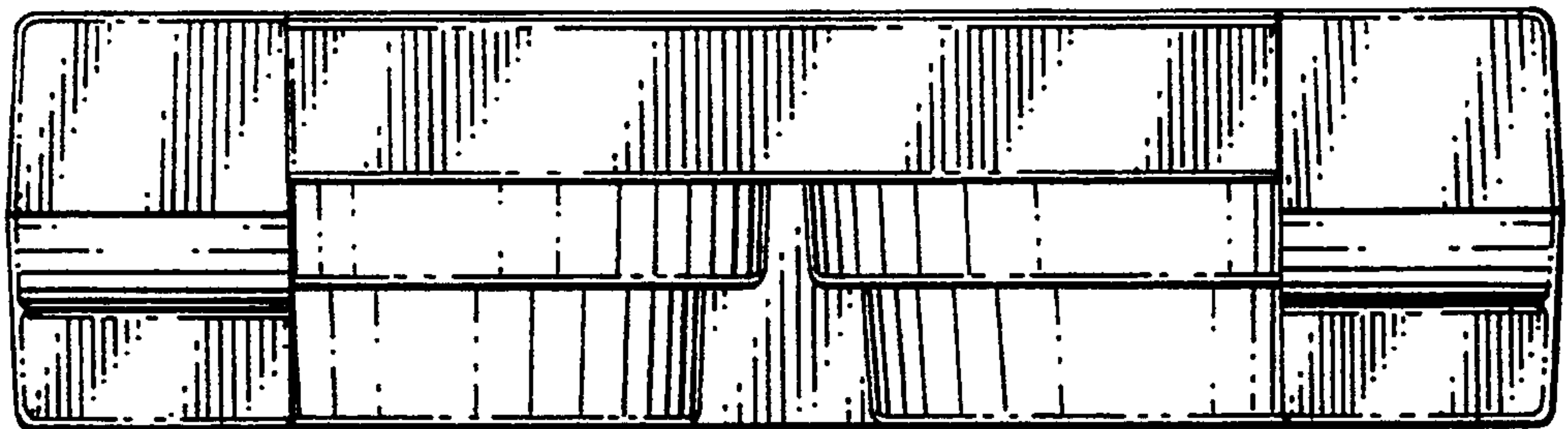


FIG 6

