



US00D353081S

United States Patent [19]

[11] Patent Number: **Des. 353,081**

Drewes et al.

[45] Date of Patent: **** Dec. 6, 1994**

[54] COMBINED CONDIMENT CONTAINERS AND HOLDER THEREFOR

[76] Inventors: **Ronald L. Drewes; Kenneth D. Drewes**, both of Colony Rd., Phillipston, Mass. 01331

[**] Term: **14 Years**

[21] Appl. No.: **5,748**

[22] Filed: **Mar. 10, 1993**

[52] U.S. Cl. **D7/701; D9/341; D9/517**

[58] Field of Search **D7/701, 703, 707, 708; D9/341, 517, 526, 544, 573; 211/71, 74; 220/23.2, 23.4**

[56] References Cited

U.S. PATENT DOCUMENTS

D. 110,477 7/1938 Carpenter D9/526

D. 138,192	7/1944	Ansell	D9/526
D. 219,058	10/1970	Kaczur	D7/701
D. 239,244	3/1976	Lubge	D7/701
D. 297,166	8/1988	Hollar et al.	D9/517 X
2,557,801	6/1951	Shapiro	D7/701 X

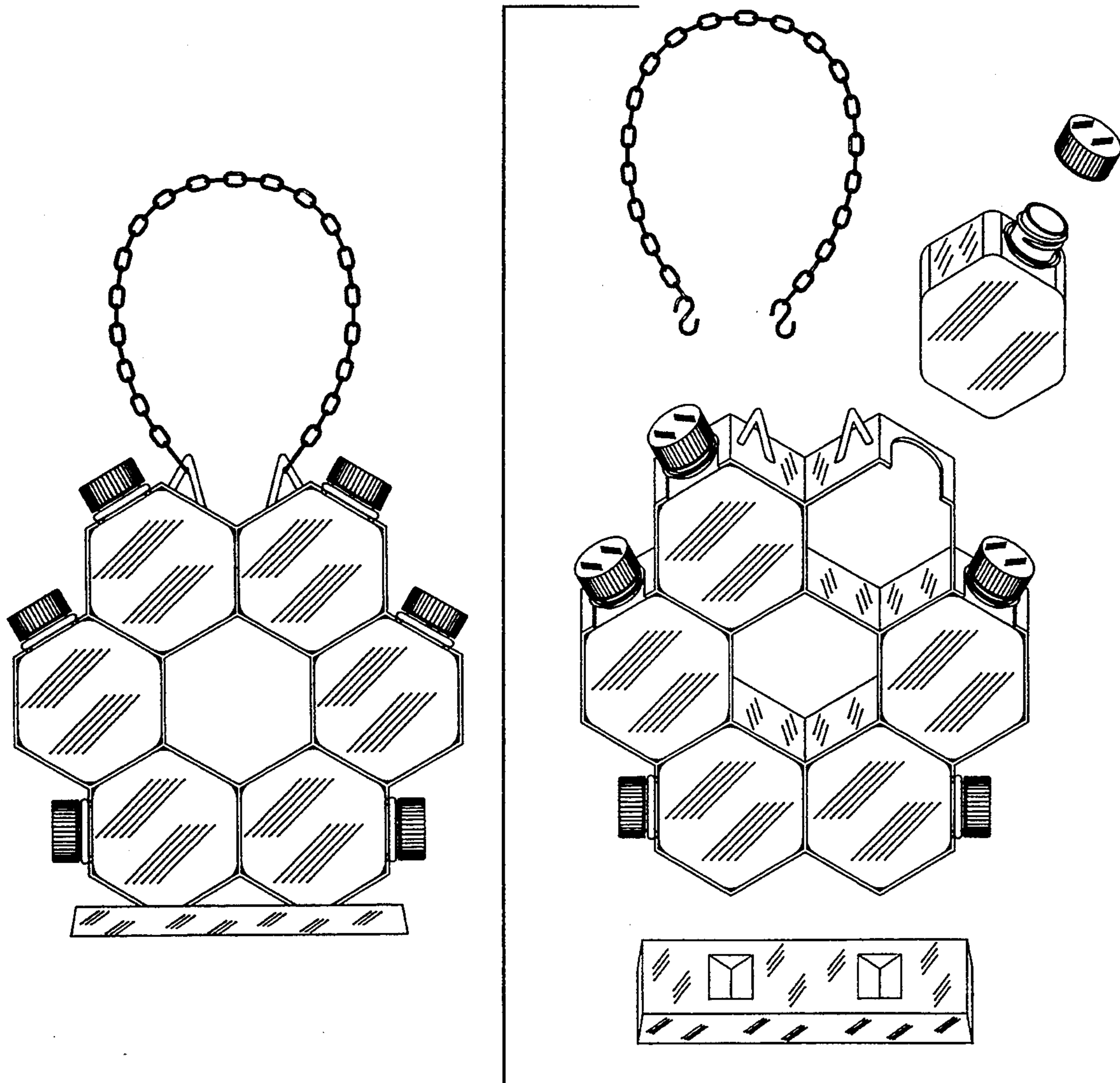
Primary Examiner—Bernard Ansher
Assistant Examiner—Dominic Simone

[57] CLAIM

The ornamental design for combined condiment containers and holder therefor, as shown and described./

DESCRIPTION

FIG. 1 is a front elevation view of combined condiment containers and holder therefor showing our new design; FIG. 2 is a top plan view thereof; FIG. 3 is a side elevation view thereof; and, FIG. 4 is a exploded perspective view thereof. Reference is made to two pages of accompanying drawings which form a part hereof.



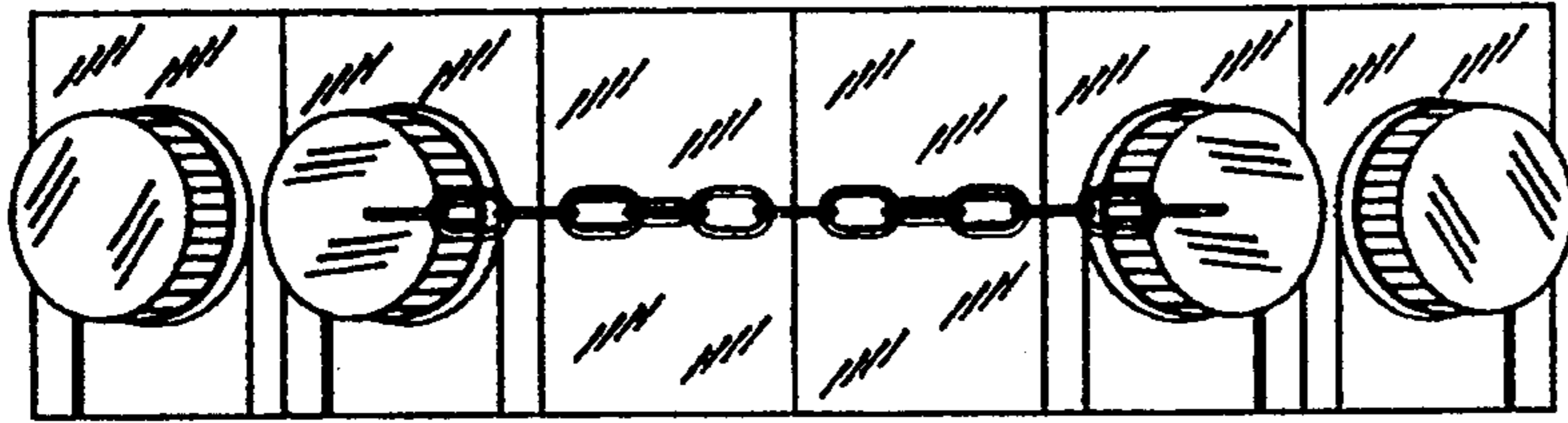


FIG. 2

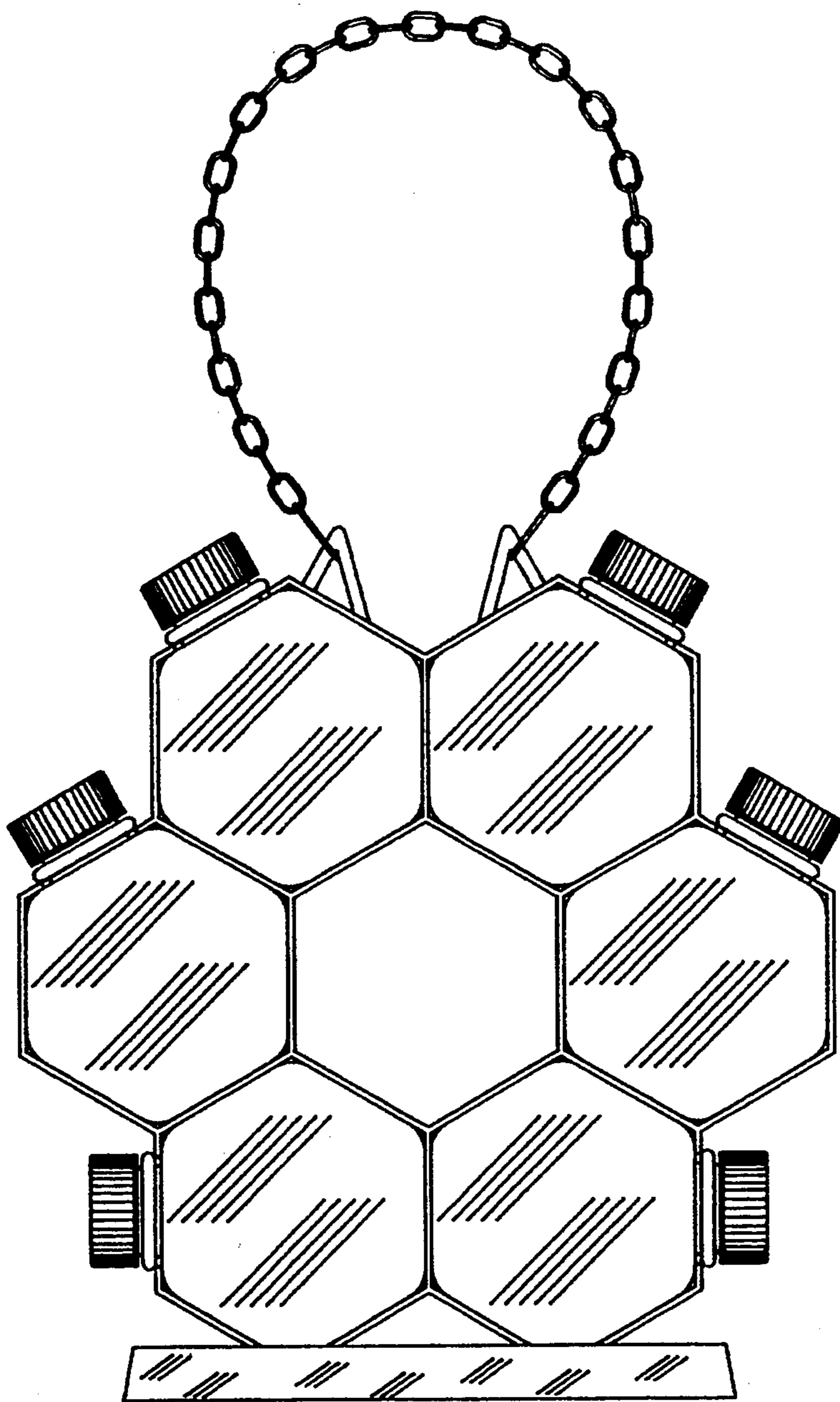


FIG. 1

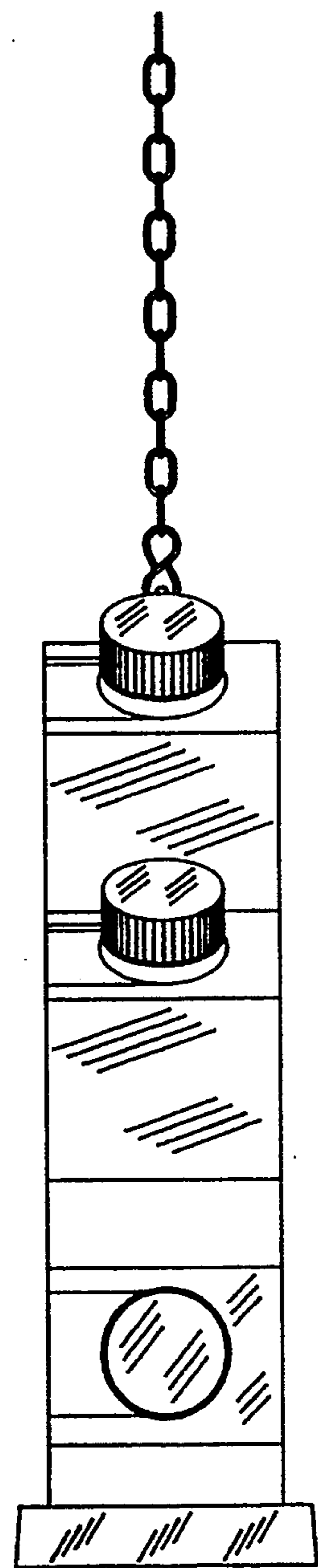


FIG. 3

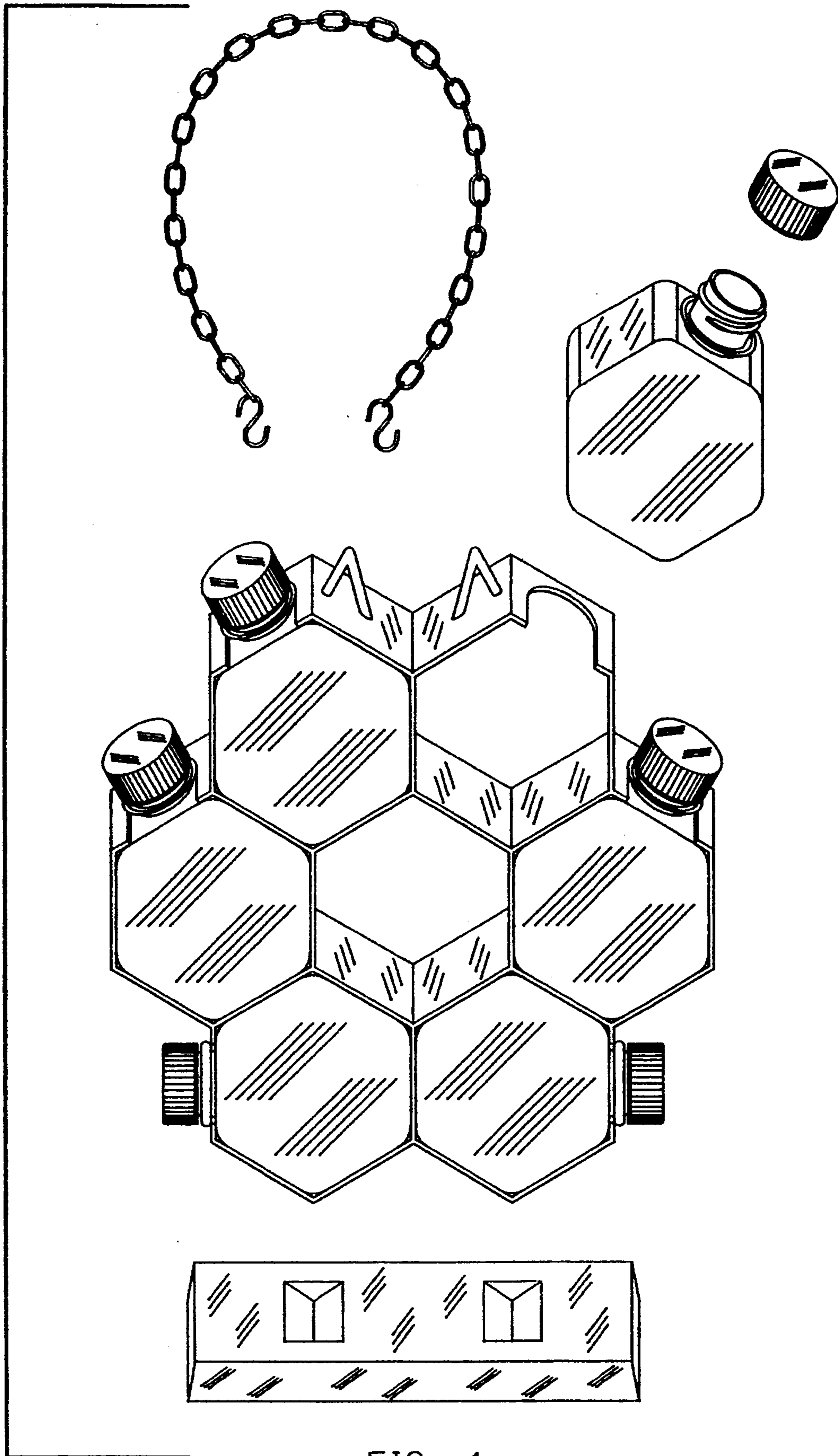


FIG. 4