



US00D353078S

# United States Patent [19]

[11] Patent Number: **Des. 353,078**

Davis et al.

[45] Date of Patent: **\*\* Dec. 6, 1994**

[54] **CUTLERY TRAY**

[75] Inventors: **Gregg M. Davis; Peter A. Koloski,** both of Columbus; **D. Scott Miller,** Wooster, all of Ohio

[73] Assignee: **Rubbermaid Incorporated,** Wooster, Ohio

[\*\*] Term: **14 Years**

[21] Appl. No.: **8,962**

[22] Filed: **Jun. 1, 1993**

[52] U.S. Cl. .... **D7/637**

[58] Field of Search ..... **D7/637-641;**  
**206/553, 557, 562, 564; 211/70.7; 220/23.83**

[56] **References Cited**

**U.S. PATENT DOCUMENTS**

D. 332,553 1/1993 **Giugiaro** ..... **D7/637**

**OTHER PUBLICATIONS**

Catalog Page, Cutlery Trays; Sterilite Corporation, P.O. Box 524, Main St., Townsend, MA 01469. Publication Date 1990.

Page 21, Cutlery Trays; Tucker Housewares, 25 Tucker Dr., Leominster, MA 01453. Publication Date 1988.

Catalog Page Cutlery Tray, Frem Corporation, 60 Webster Place, P.O. Box 4, Worcester, MA 01603-0004. Publication Date May 1, 1991.

Catalog Page, Cutlery Tray; Tontarelli S.P.A., Via Camerano, 5-60022, Castelfidardo (AN). It is believed that the product depicted herein has been on sale for more than one (1) year prior to the application date of this instant application.

Page 11, Cutlery Trays; Curver, Fliethstraasse 67, Postfach 665, 4050 Monchelgladbach 1, Netherlands. Publication Date 1991.

Sell Sheet, Cutlery Tray; Vance Industries Inc., 7401 W. Welson Ave., Chicago, IL 60656. It is believed that the product depicted herein has been on sale for more

than one (1) year prior to the application date of this instant application.

Sell Sheet, Cutlery Tray; Mepla, Inc., P.O. Box 1469, 909 w. Market Center Drive, High Point, NC 27261-1469. It is believed that the product depicted herein has been on sale for more than one (1) year prior to the application date of this instant application.

Catalog Page, Cutlery Tray; Dupol-Rubbermaid G,bH, 6072 Drieichenhain, bei Frankfurt am Main, West German. Publication Date 1971.

Page 15, Cutlery Tray, Dupol-Rubbermaid GmbH, Ander Trift 63, D-6072 Dreieich, West Germany. Publication Date 1988.

Page 7, Cutlery Tray, Rubbermaid Incorporated, 1147 Akron Road, Wooster, OH 44691. Publication date 1964.

Page 8, Cutlery Tray; Rubbermaid Incorporated, 1147 Akron Road, Wooster, OH 44691. Publication Date 1979.

Page 3, Cutlery Tray; Rubbermaid Incorporated, 1147 Akron Road, Wooster, OH 44691. Publication Date 1983.

Sell Sheet, Cutlery Trays; Rubbermaid Incorporated, 1147 Akron Road, Wooster, OH 44691. Publication Date 1989.

*Primary Examiner*—Terry A. Wallace

*Attorney, Agent, or Firm*—Richard B. O'Planick; Lisa B. Riedesel

[57] **CLAIM**

The ornamental design for a cutlery tray, as shown and described.

**DESCRIPTION**

FIG. 1 is a top front perspective view of a cutlery tray showing our new design;

FIG. 2 is a top plan view thereof;

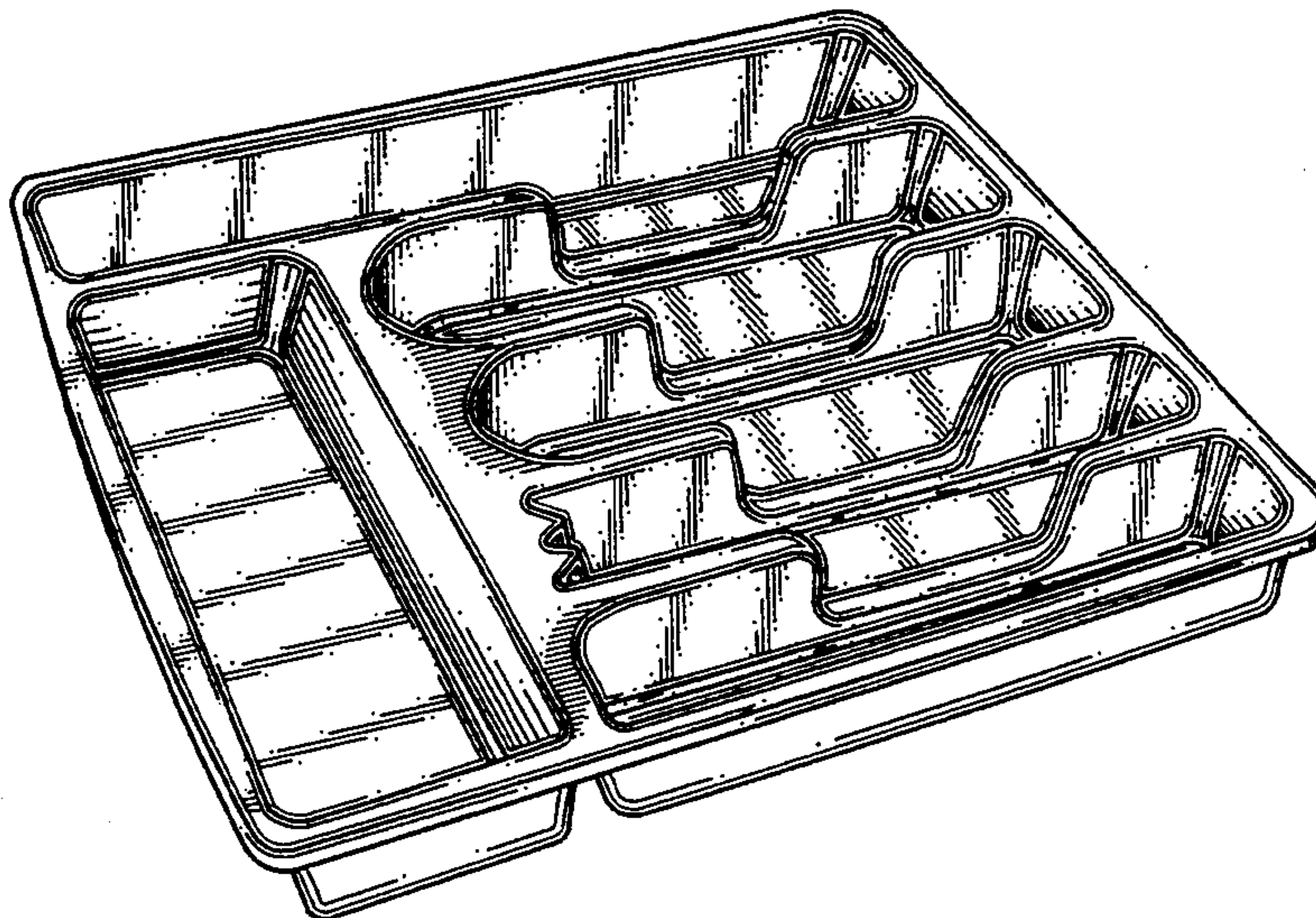
FIG. 3 is a rear elevational view thereof;

FIG. 4 is a front elevational view thereof;

FIG. 5 is a left side elevational view thereof;

FIG. 6 is a right side elevational view thereof; and,

FIG. 7 is a bottom plan view thereof.





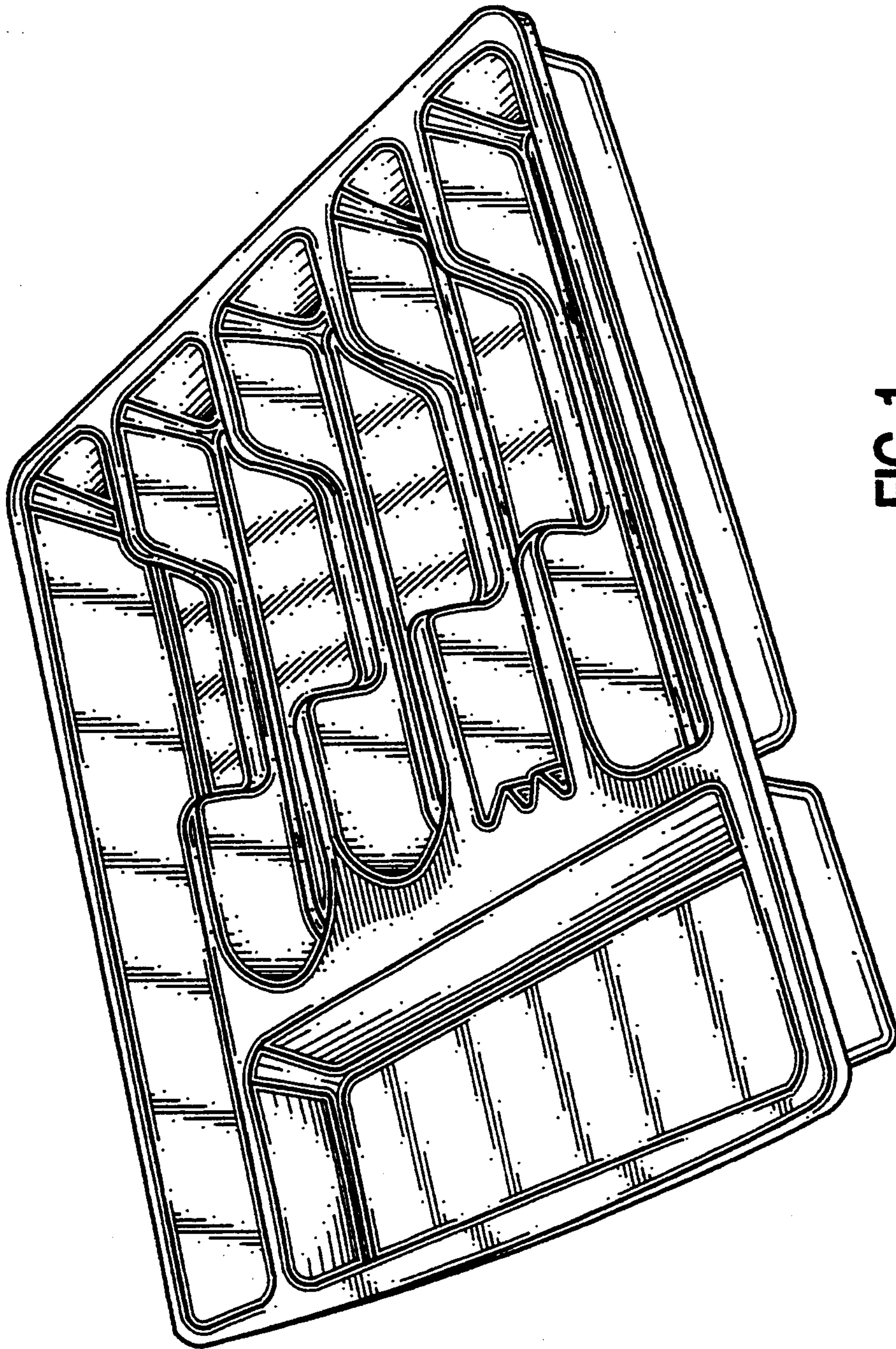


FIG. 1

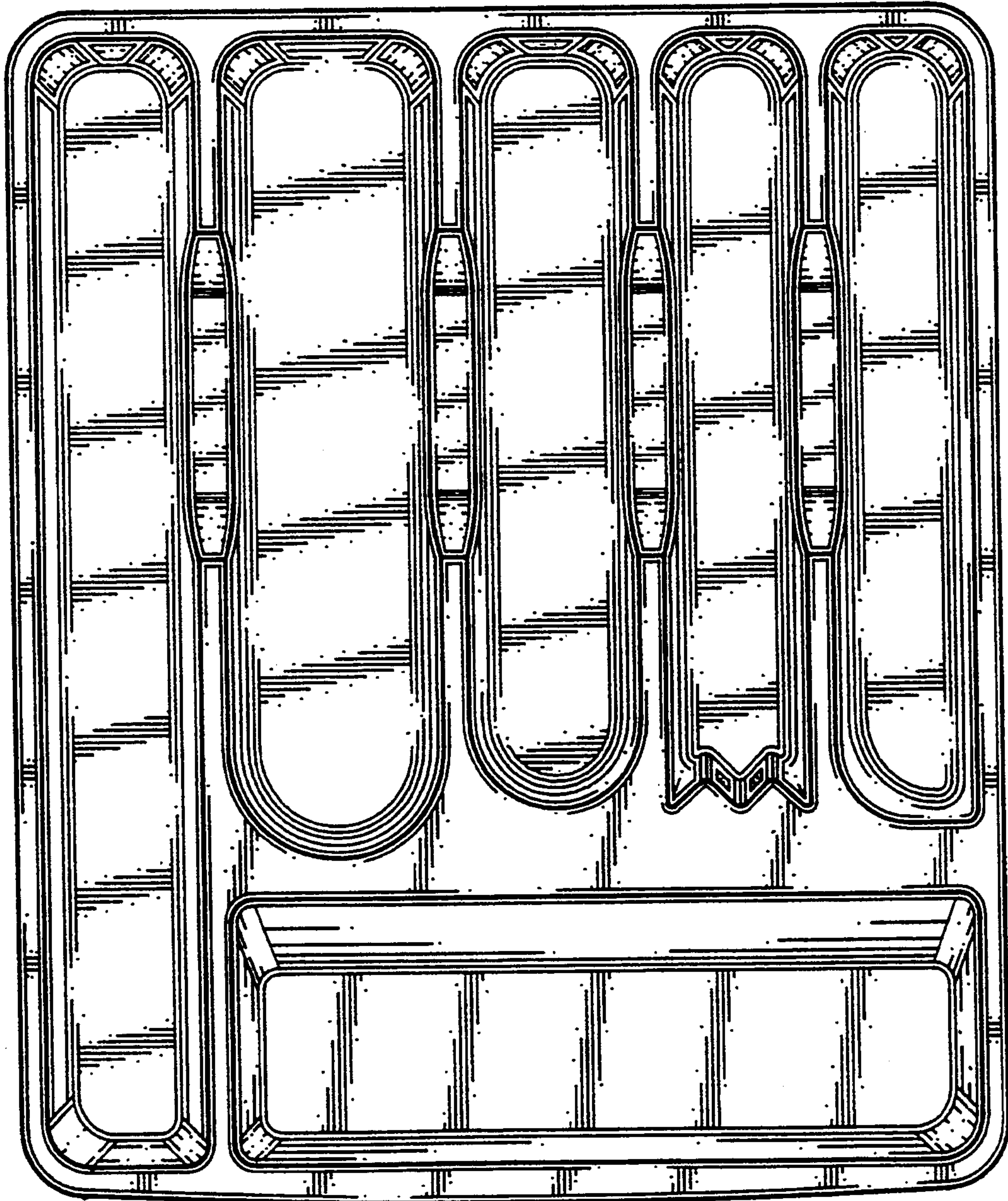
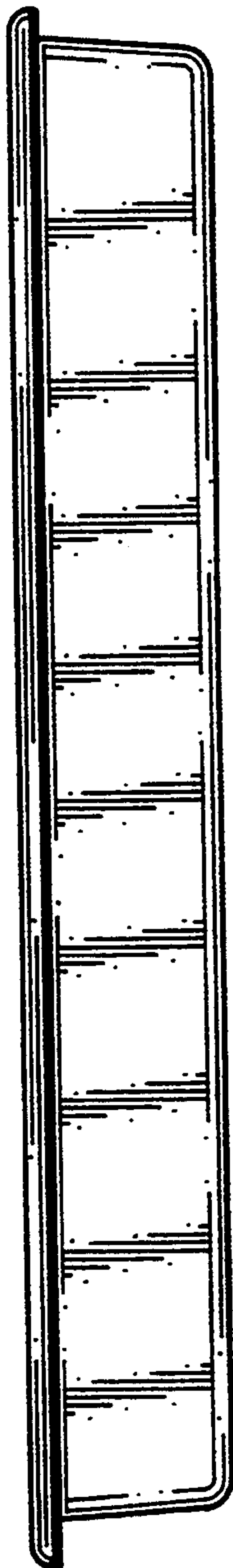
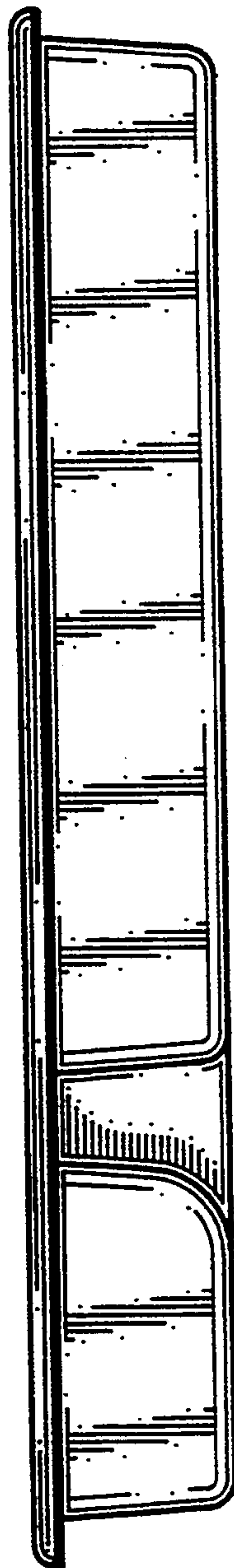


FIG. 2



**FIG. 3**



**FIG. 4**



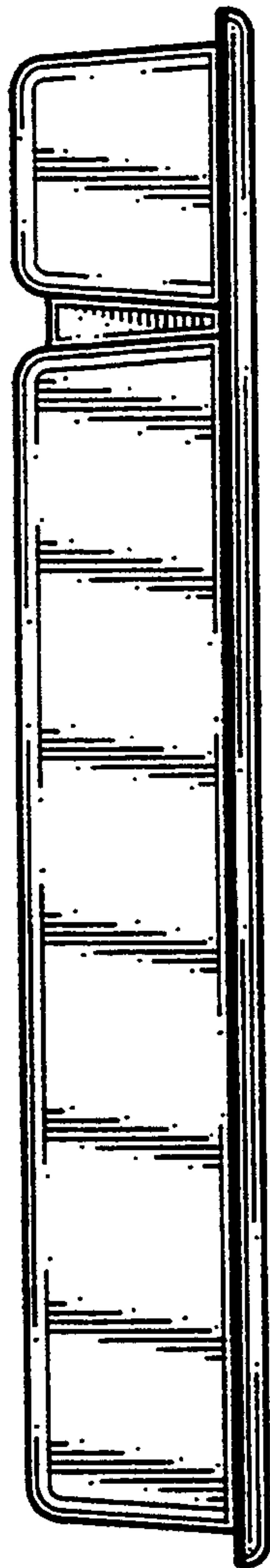


FIG. 5

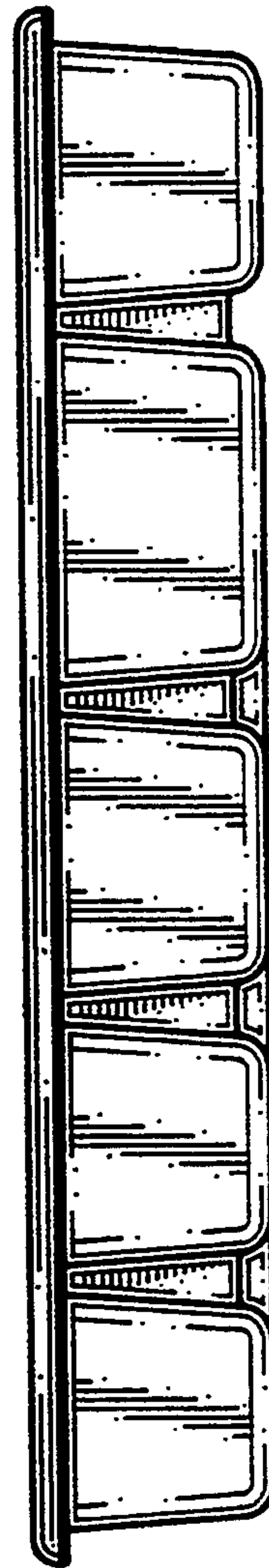


FIG. 6

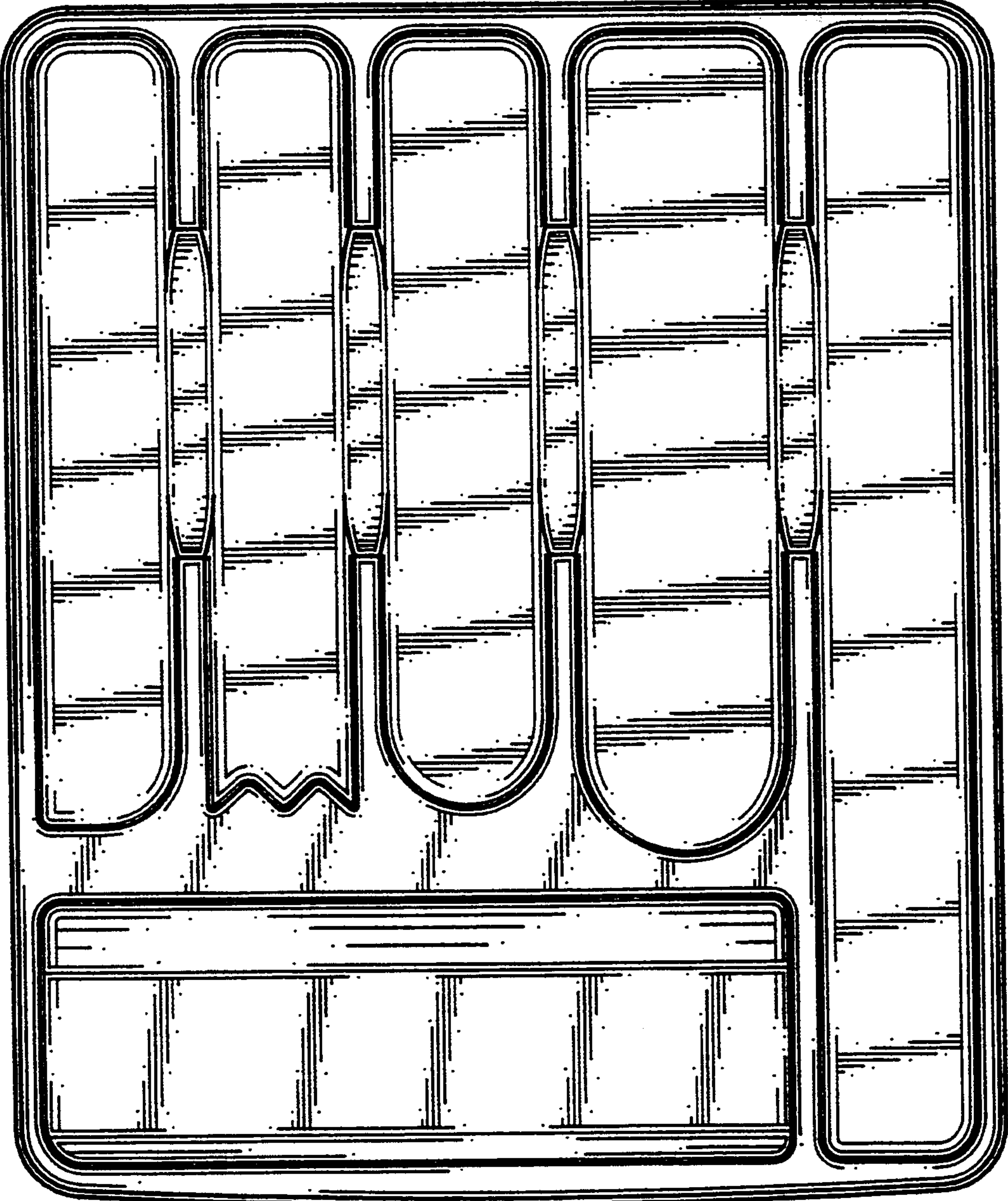


FIG. 7