



US00D353075S

United States Patent [19]

[11] Patent Number: **Des. 353,075**

Littmann et al.

[45] Date of Patent: **** Dec. 6, 1994**

[54] COFFEE GRINDER

[75] Inventors: **Ludwig Littmann**, Schwalbach;
Jürgen Greubel, Heidenrod, both of
Germany

[73] Assignee: **Braun Aktiengesellschaft**, Frankfurt,
Germany

[**] Term: **14 Years**

[21] Appl. No.: **9,606**

[22] Filed: **Jun. 16, 1993**

[30] Foreign Application Priority Data

Jan. 28, 1993 [DE] Germany DM/025034

[52] U.S. Cl. **D7/373**

[58] Field of Search **D7/383, 384, 372-374;**
241/277, 279-280, 83, 100

[56] References Cited

U.S. PATENT DOCUMENTS

| | | | | |
|------------|--------|-----------------|-------|--------|
| D. 248,080 | 6/1978 | Maejima | | D7/373 |
| D. 248,159 | 6/1978 | Maejima | | D7/373 |
| D. 295,359 | 4/1988 | Nidiffer et al. | | D7/373 |
| D. 296,181 | 6/1988 | Schaaf et al. | | D7/373 |
| D. 336,213 | 6/1993 | Stutzer | | D7/373 |

FOREIGN PATENT DOCUMENTS

73MR8313 11/1974 Germany .
1034377 5/1986 United Kingdom .

OTHER PUBLICATIONS

Better Homes & Gardens, Dec. 1975 p. 214. "Braun Coffee Grinder".
W. Bell & Co, 1979, p. 320. "Item G-Braun Coffee Mill." Top right side of page.

Primary Examiner—Ruth McInroy
Attorney, Agent, or Firm—Fish & Richardson

[57] CLAIM

The ornamental design for a coffee grinder, as shown and described.

DESCRIPTION

FIG. 1 is a perspective view of a coffee grinder showing our new design;
FIG. 2 is a front elevational view thereof;
FIG. 3 is a front elevational view thereof;
FIG. 4 is a right side elevational view thereof;
FIG. 5 is a left side elevational view thereof;
FIG. 6 is a top plan view thereof; and,
FIG. 7 is a bottom plan view thereof, the electric cord shown broken away is understood to represent indeterminate length.

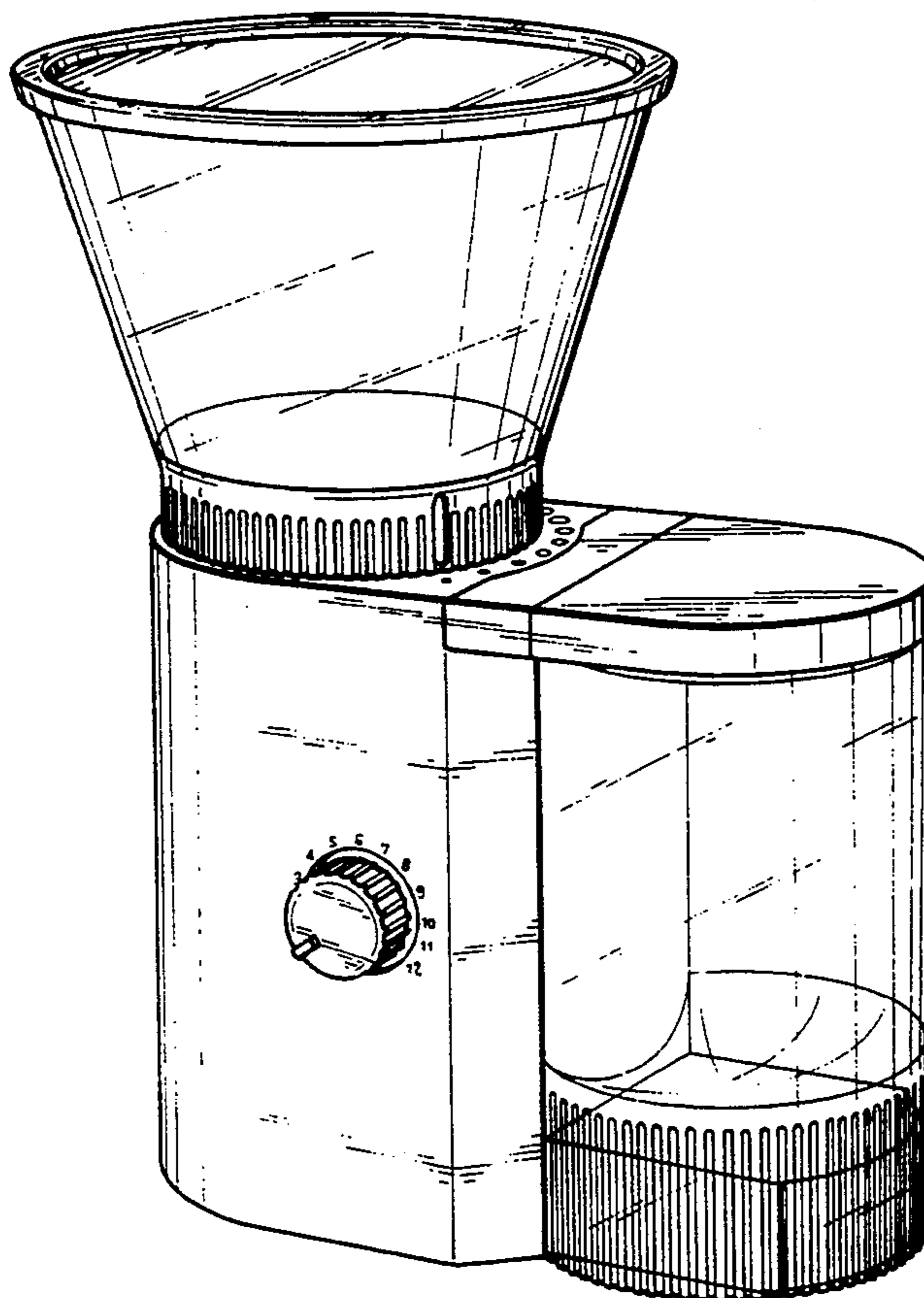


Fig. 1

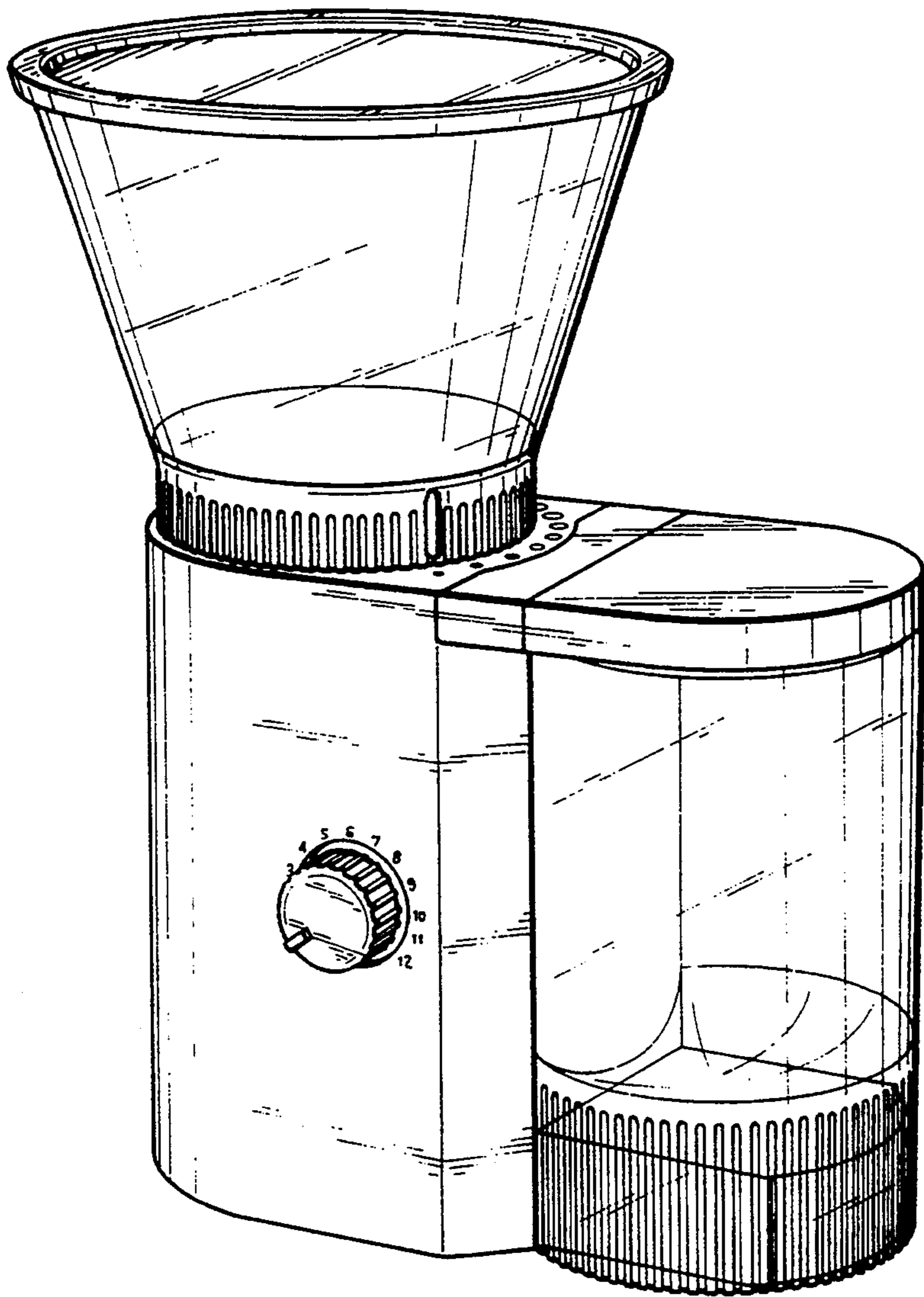


Fig. 2

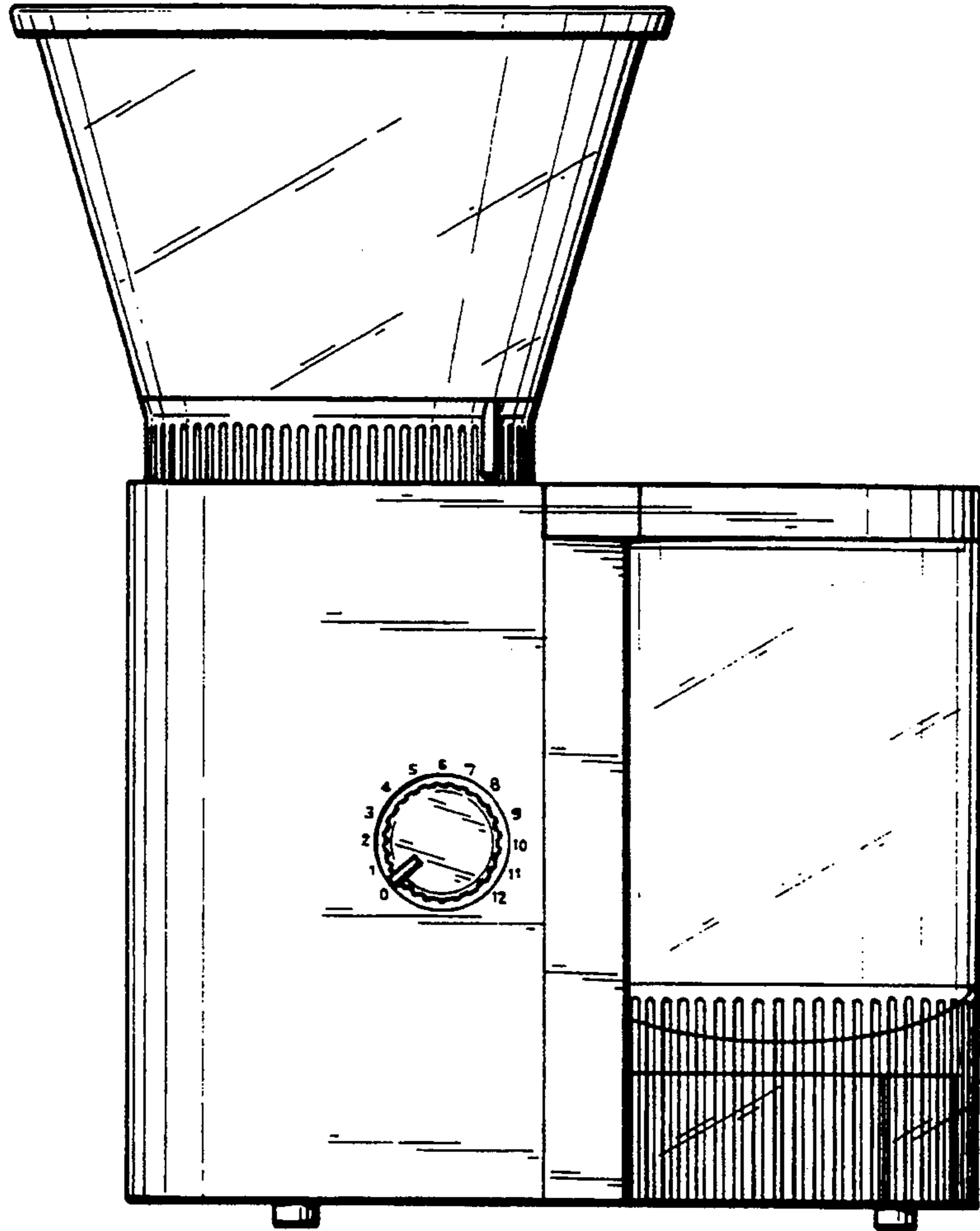


Fig. 7

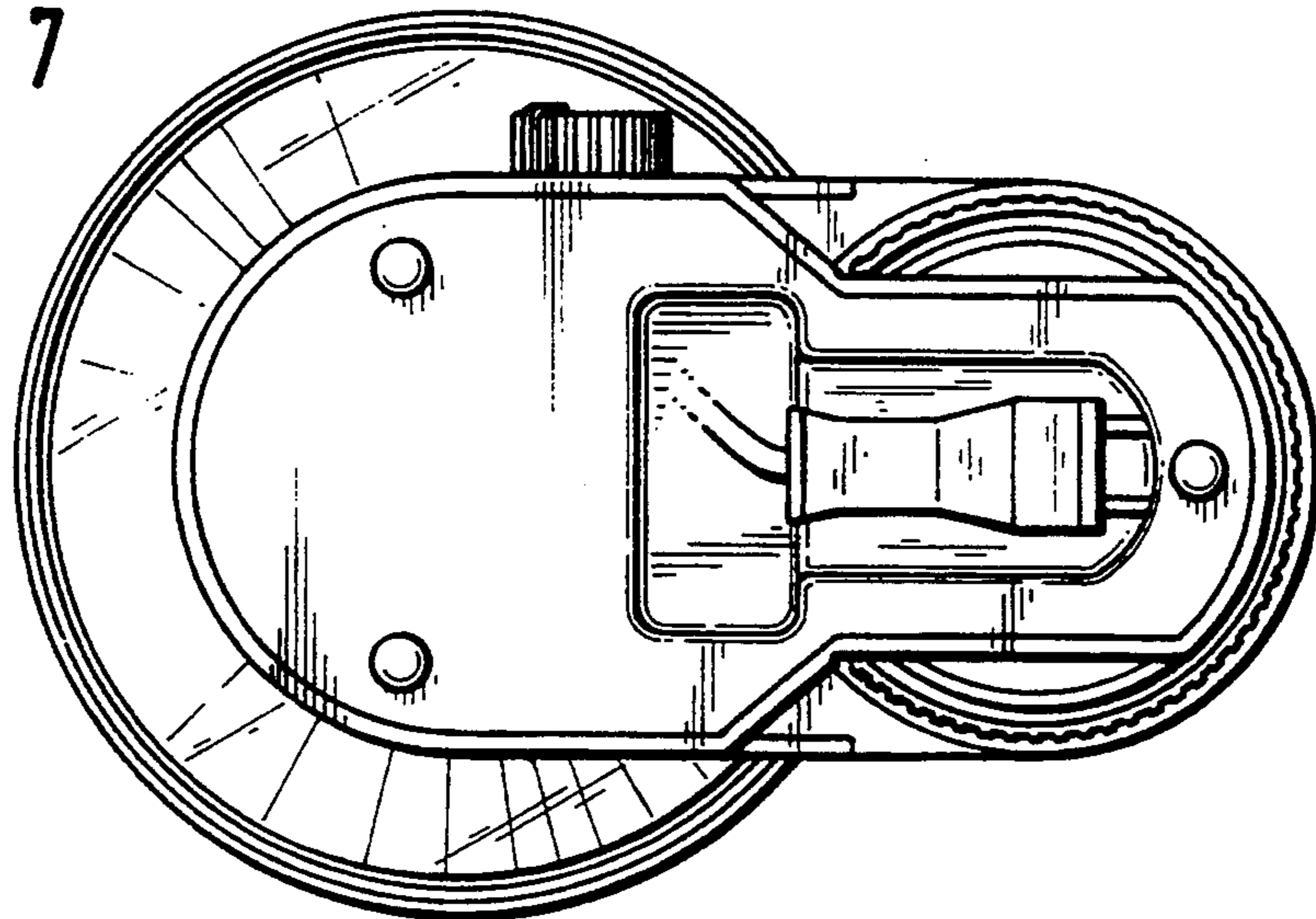


Fig. 6

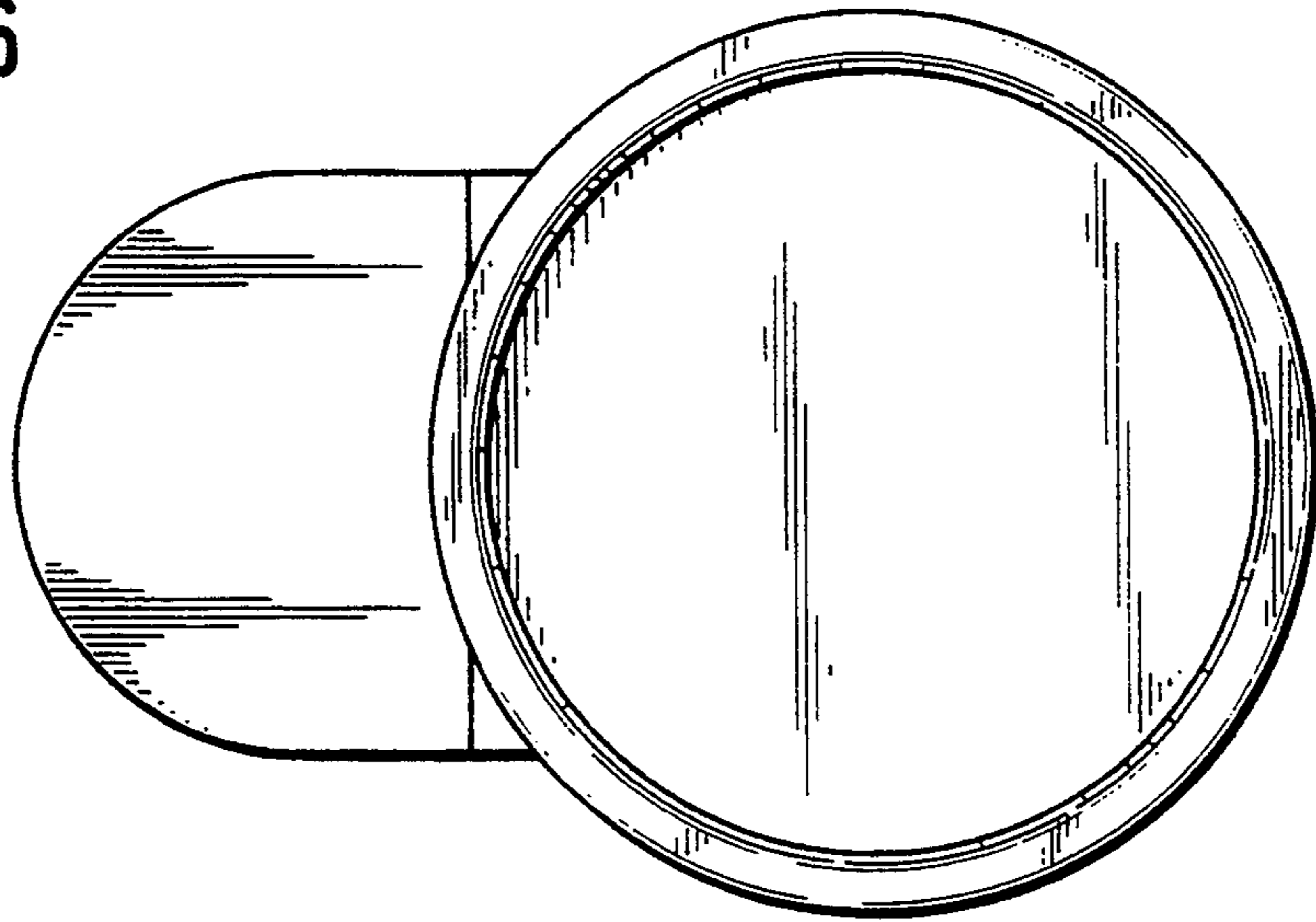


Fig. 3

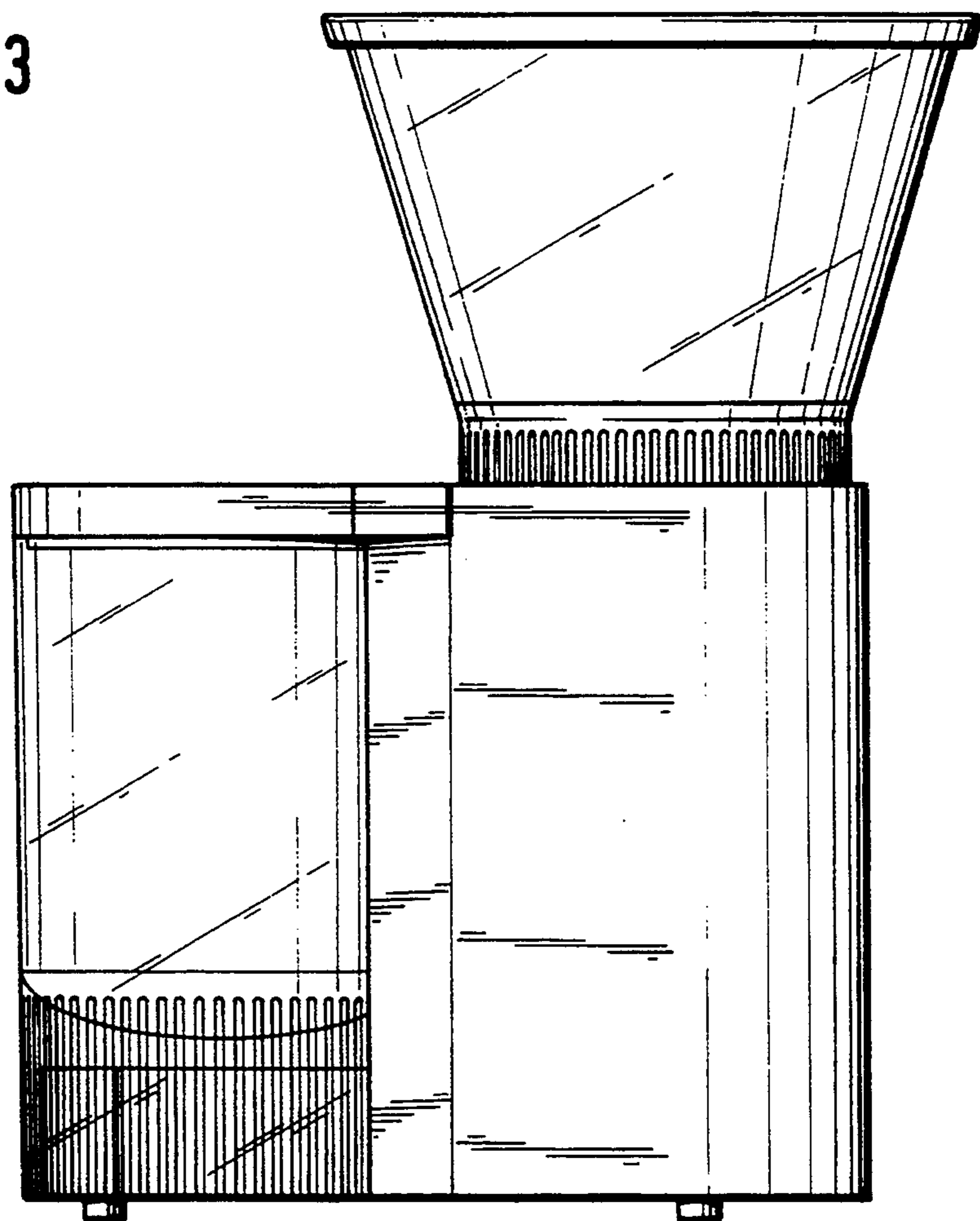


Fig. 4

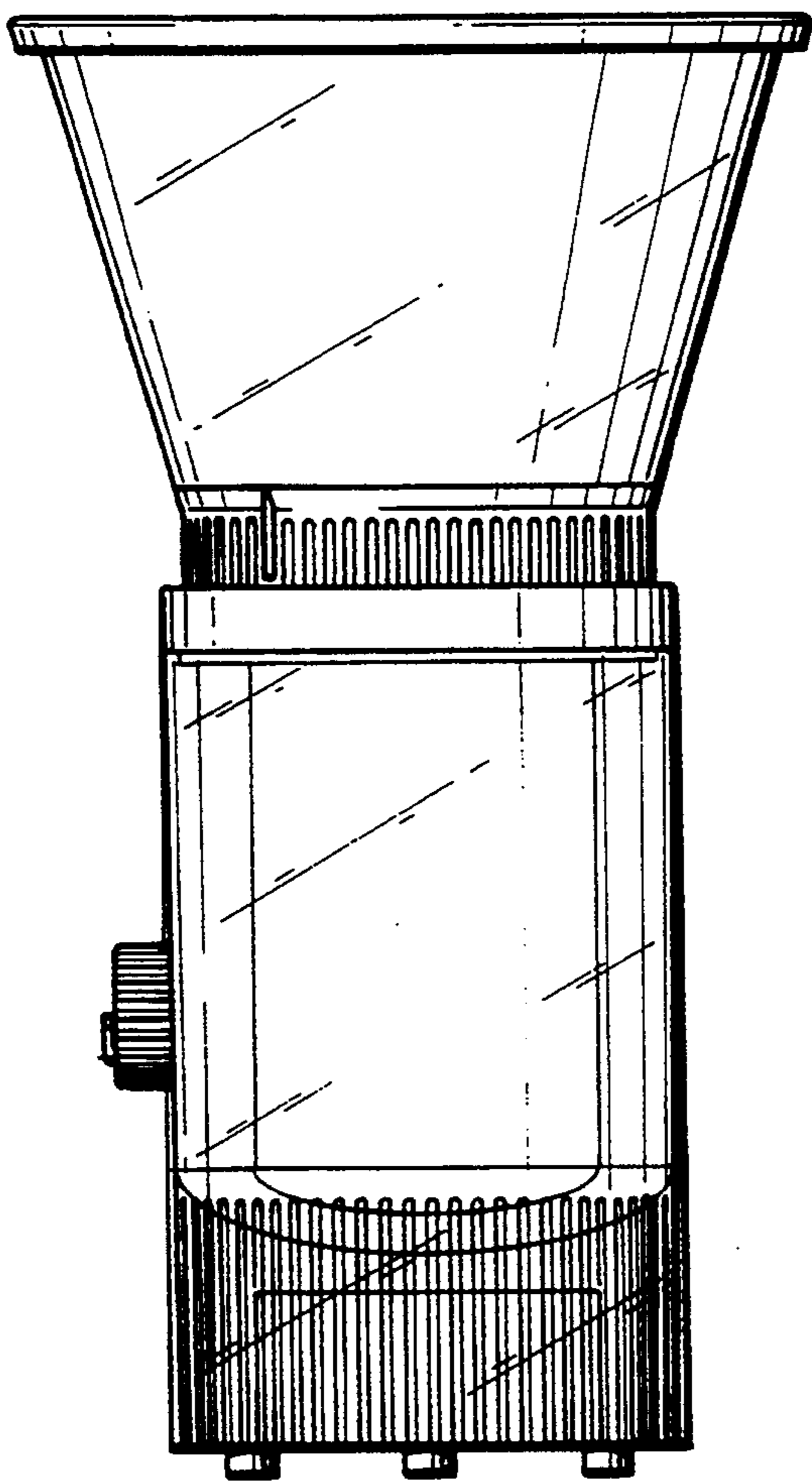


Fig. 5

