



US00D353069S

United States Patent [19]

[11] Patent Number: **Des. 353,069**

Pohlenz

[45] Date of Patent: **** Dec. 6, 1994**

[54] **STORAGE RACK**

[76] Inventor: **Charles M. Pohlenz, 2612 N. Cranberry, Wichita, Kans. 67226**

[**] Term: **14 Years**

[21] Appl. No.: **4,616**

[22] Filed: **Feb. 9, 1993**

[52] U.S. Cl. **D6/567; D6/553; D6/569; D6/571**

[58] Field of Search **D6/553, 567, 515, 569, D6/571; 211/10, 13, 49.1, 86-87, 90, 59.2, 126, 134; 221/92, 282-283**

[56] **References Cited**

U.S. PATENT DOCUMENTS

D. 255,852	7/1980	Fogarty	D6/553	X
D. 279,745	7/1985	Kellogg	D6/567	
D. 279,747	7/1985	Kellogg	D6/569	
3,626,150	12/1971	Kress	211/59.2	

Primary Examiner—Brian N. Vinson

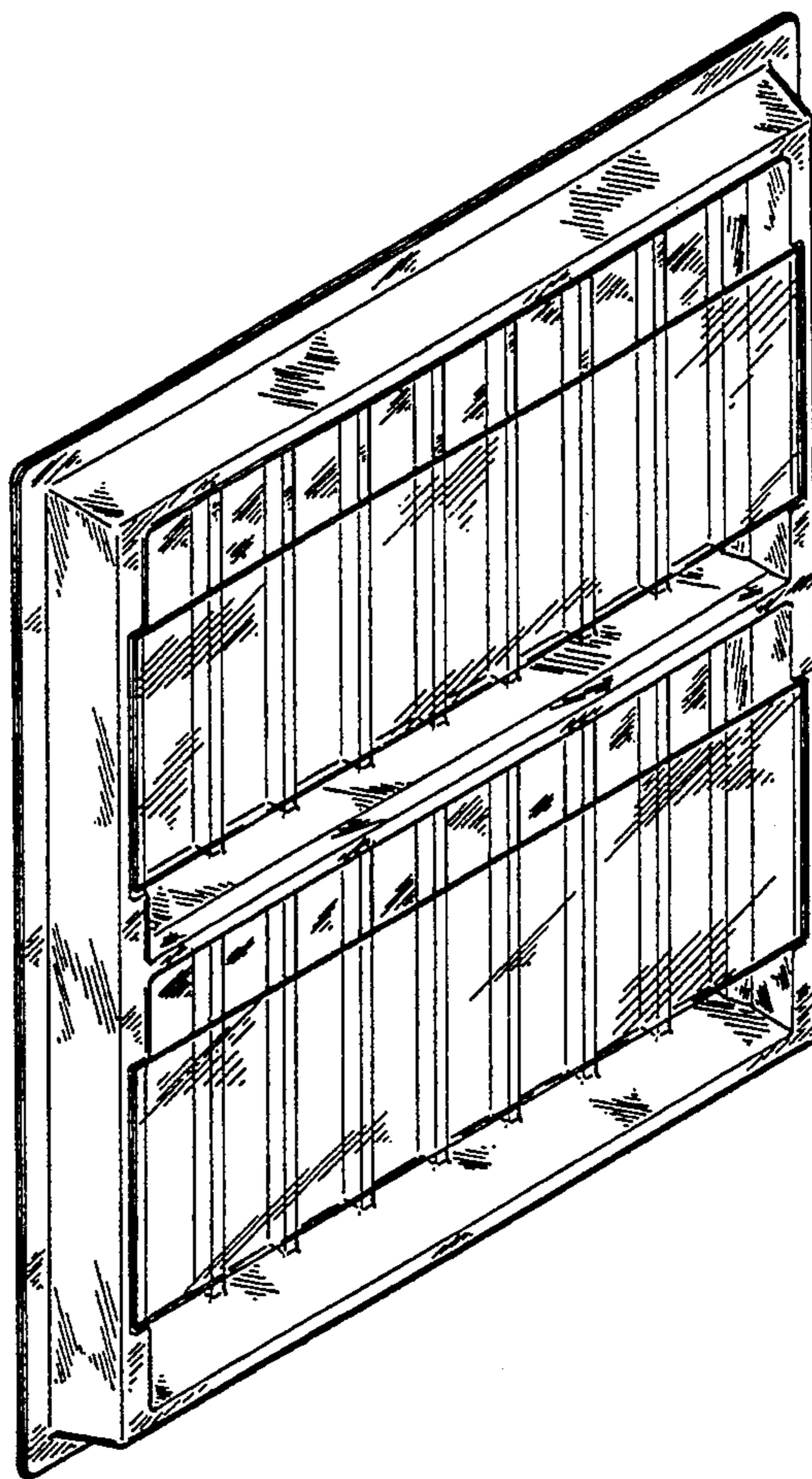
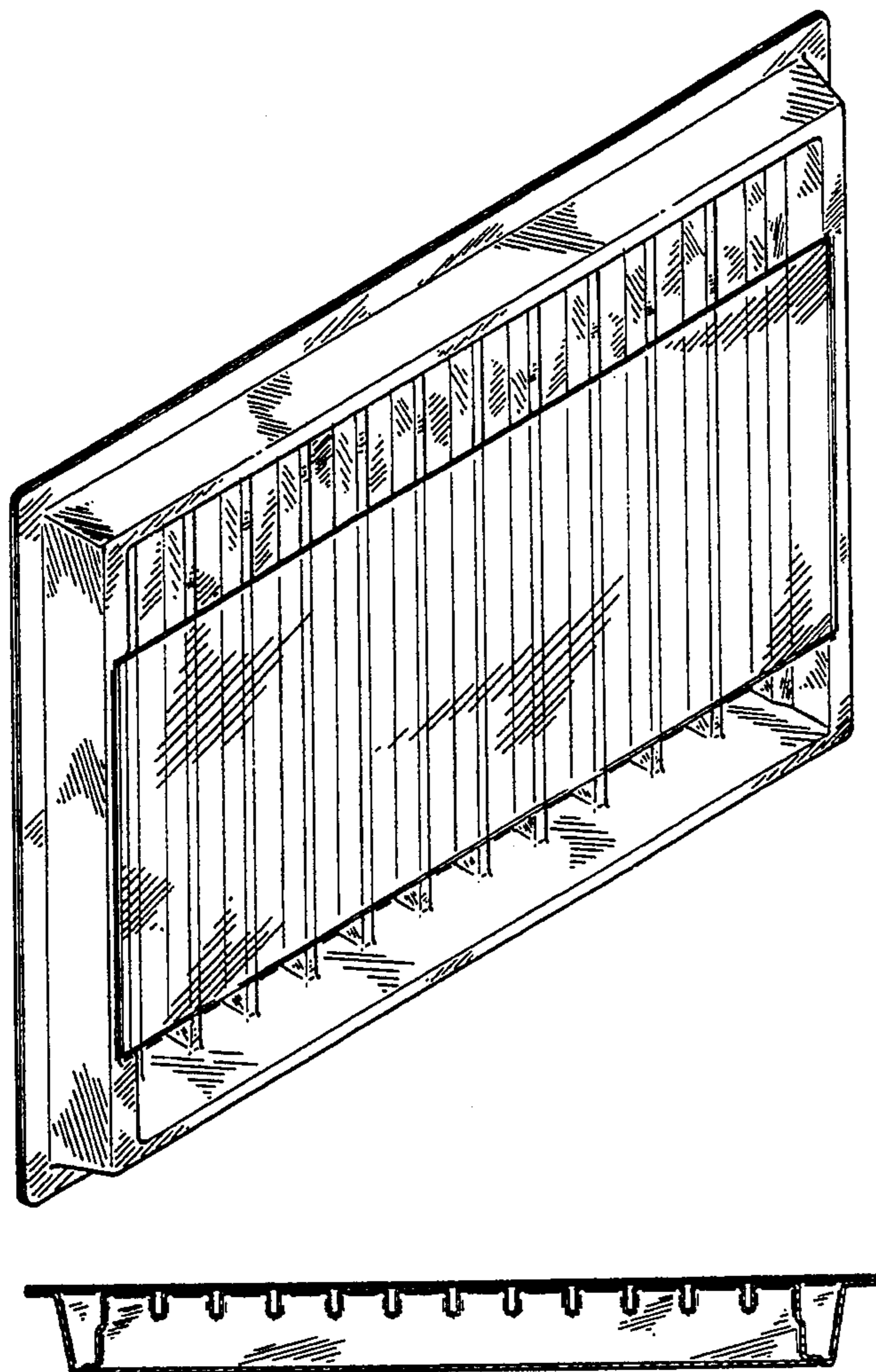
Attorney, Agent, or Firm—Edward L. Brown, Jr.

[57] **CLAIM**

The ornamental design for a storage rack, as shown and described.

DESCRIPTION

FIG. 1 is a top, front, and left side perspective view of a storage rack showing my new design;
 FIG. 2 is a left side elevational view thereof, the right side being a mirror image of that shown;
 FIG. 3 is a bottom plan view thereof;
 FIG. 4 is a horizontal cross-sectional view thereof, taken along line 4—4 of FIG. 2;
 FIG. 5 is a top, front, and left side perspective view of a second embodiment of storage rack showing my new design;
 FIG. 6 is a left side elevational view thereof, the right side being a mirror image of that shown;
 FIG. 7 is a bottom plan view thereof; and,
 FIG. 8 is a horizontal cross-sectional view thereof, taken along line 8—8 of FIG. 6.



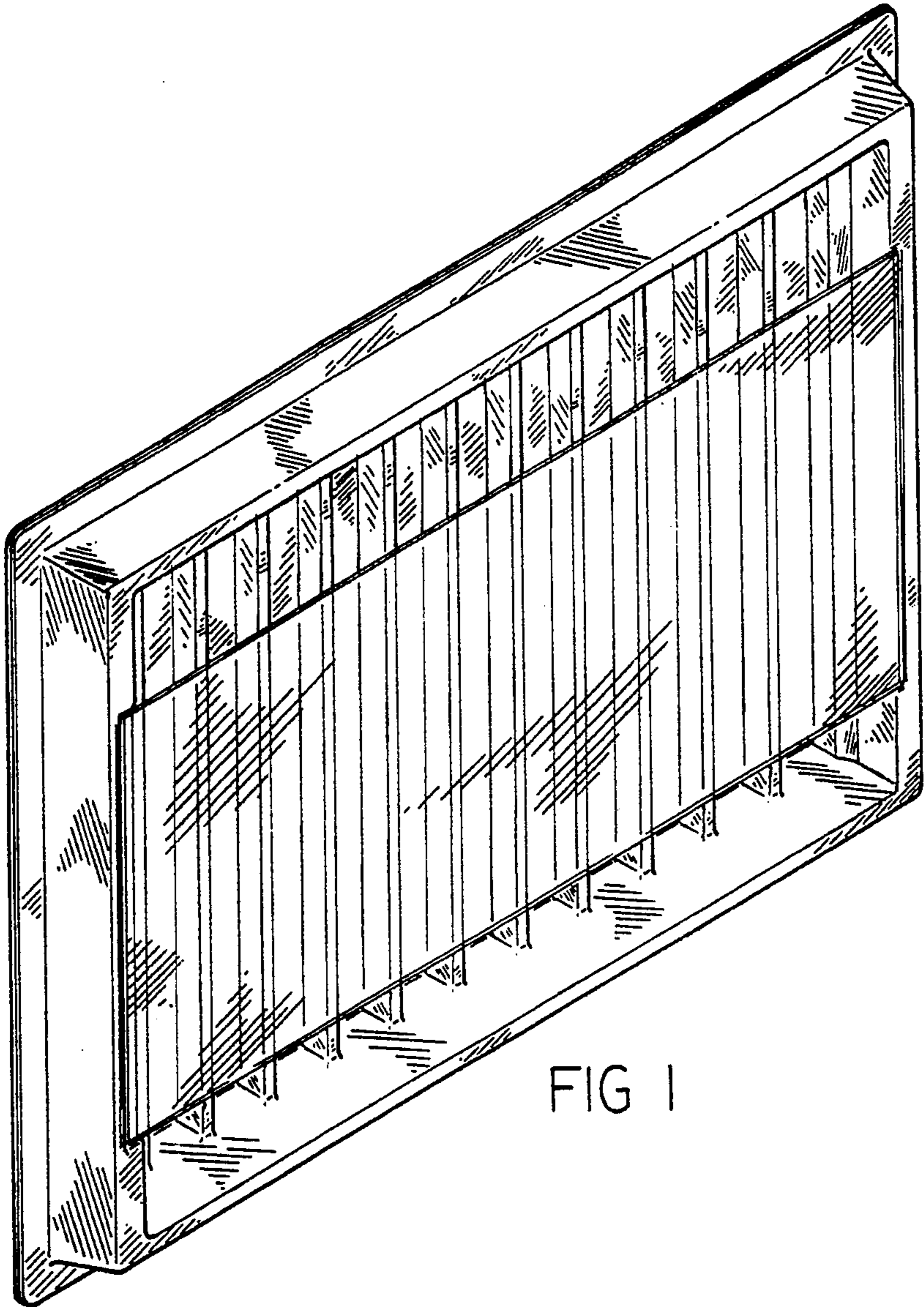


FIG 1

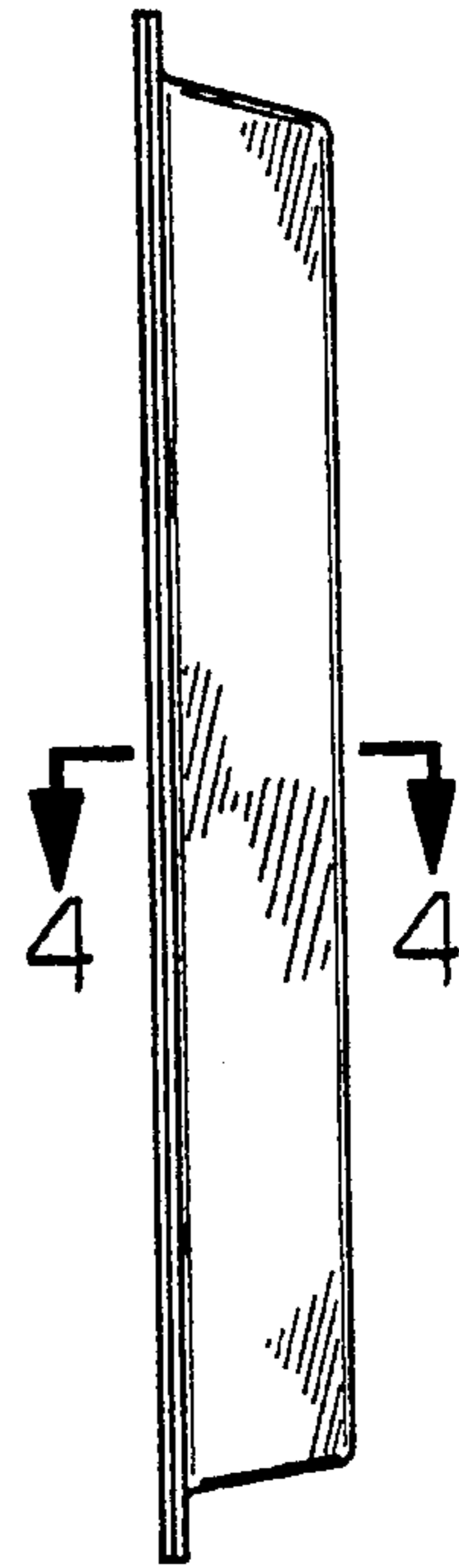


FIG 2

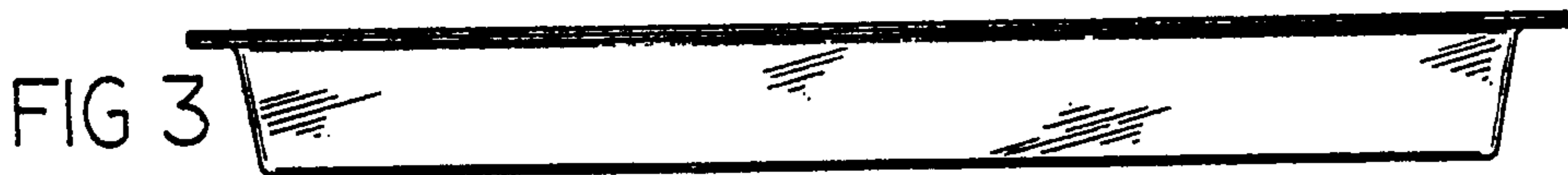


FIG 3

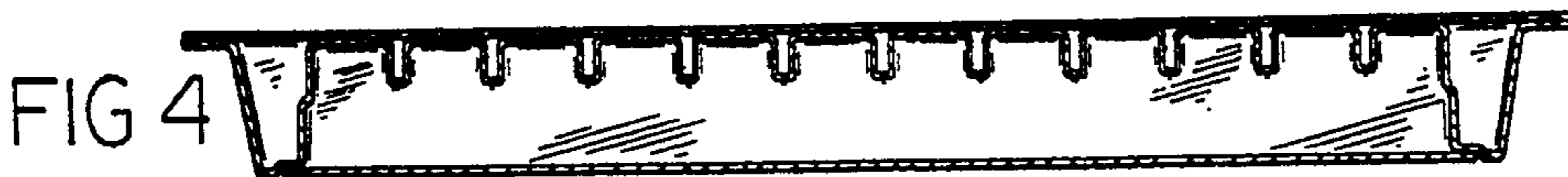


FIG 4

