



US00D353066S

United States Patent [19]

[11] Patent Number: **Des. 353,066**

Brandenberg

[45] Date of Patent: **** Dec. 6, 1994**

[54] **EQUIPMENT STAND**

4,783,036 11/1988 Vossoughi .

[76] Inventor: **Carl B. Brandenberg**, FM 3450, Box 188, Cresson, Tex. 76035

5,178,286 1/1993 Allison, III 211/205 X

[**] Term: **14 Years**

OTHER PUBLICATIONS

[21] Appl. No.: **9,824**

Thomas Register 1990, p. FUR/10528.
Official Gazette, Jul. 1988, pp. 696-697, 953-954, 1425, 639, 981, 182.

[22] Filed: **Jun. 22, 1993**

[52] U.S. Cl. **D6/460; D6/474**

Primary Examiner—Alan P. Douglas
Assistant Examiner—Jeffrey Asch
Attorney, Agent, or Firm—Melvin A. Hunn

[58] Field of Search **D6/449, 455, 457-461, D6/473, 474; 211/13, 71, 205, 196, 168; D15/140, 141**

[57] CLAIM

[56] References Cited

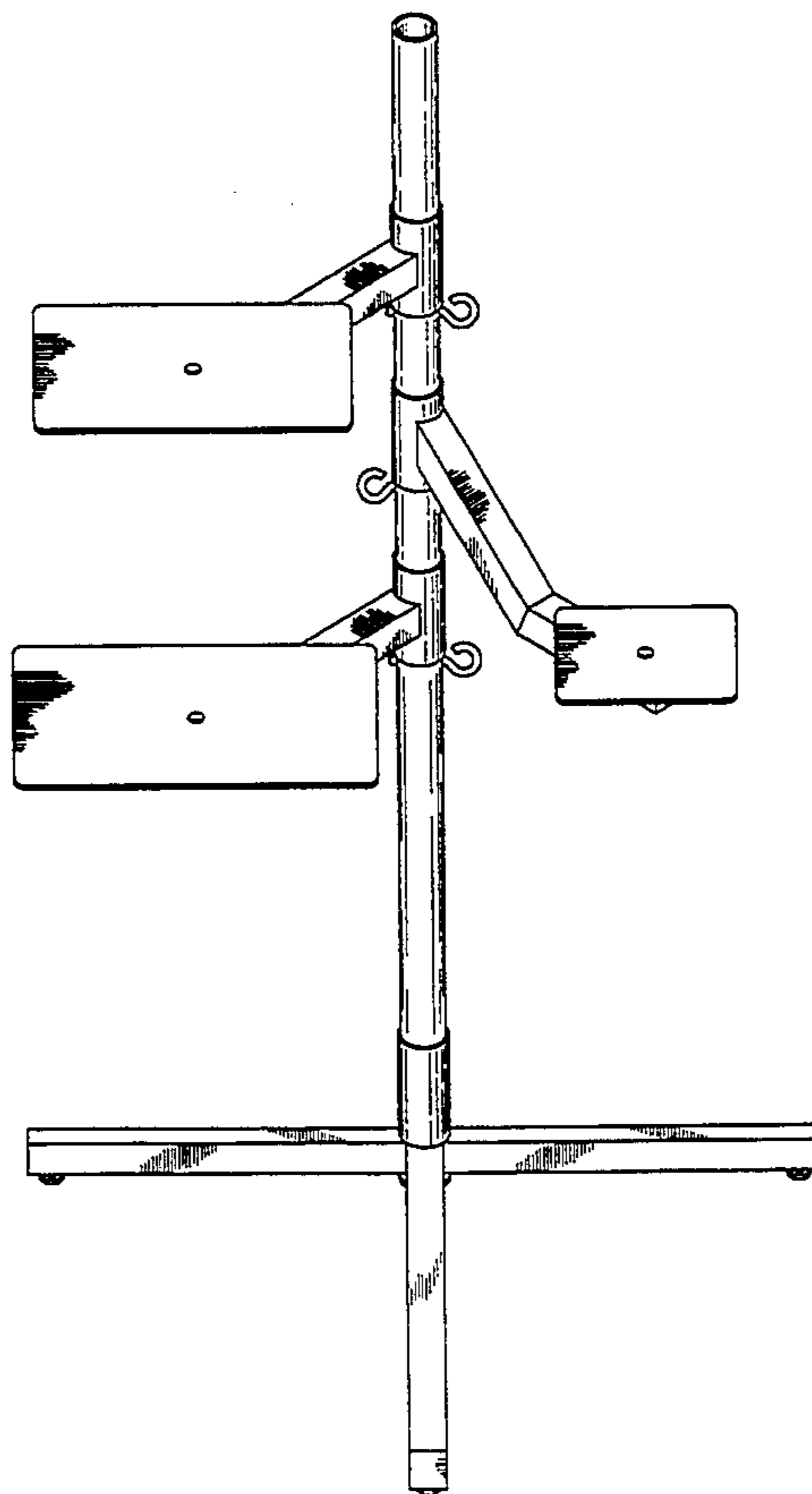
The ornamental design for an equipment stand, as shown and described.

U.S. PATENT DOCUMENTS

DESCRIPTION

- 47,664 5/1865 Sheldon .
- D. 240,583 7/1976 Bohomoletz D6/474 X
- D. 242,751 12/1976 Wells D6/459
- D. 245,131 7/1977 Johnsson D6/460
- D. 247,937 5/1978 Dilyard D6/474 X
- D. 253,680 12/1979 Jaros et al. D6/474
- 258,442 5/1882 Koser .
- D. 288,157 2/1987 Sandor D6/474
- D. 302,889 8/1989 Goodwin D6/461 X
- D. 326,377 5/1992 Nagel D6/460 X
- 554,661 2/1896 Doolittle .
- 2,143,592 1/1939 Baldeck D6/474 X
- 3,194,403 7/1965 Van Horn, Jr. .
- 3,212,748 10/1965 Faurot .
- 3,283,913 11/1966 Van Horn, Jr. .
- 4,562,987 1/1986 Leeds et al. .

FIG. 1 is a perspective view of an equipment stand showing my new design;
 FIG. 2 is a front view of the equipment stand of the present invention;
 FIG. 3 is a view of the right hand side of the equipment stand of FIG. 2;
 FIG. 4 is a back view of the equipment stand of the present invention;
 FIG. 5 is a view of the left hand side of the equipment stand of FIG. 2;
 FIG. 6 is a top view of the equipment stand of the present invention; and,
 FIG. 7 is a bottom view of the equipment stand of the present invention.



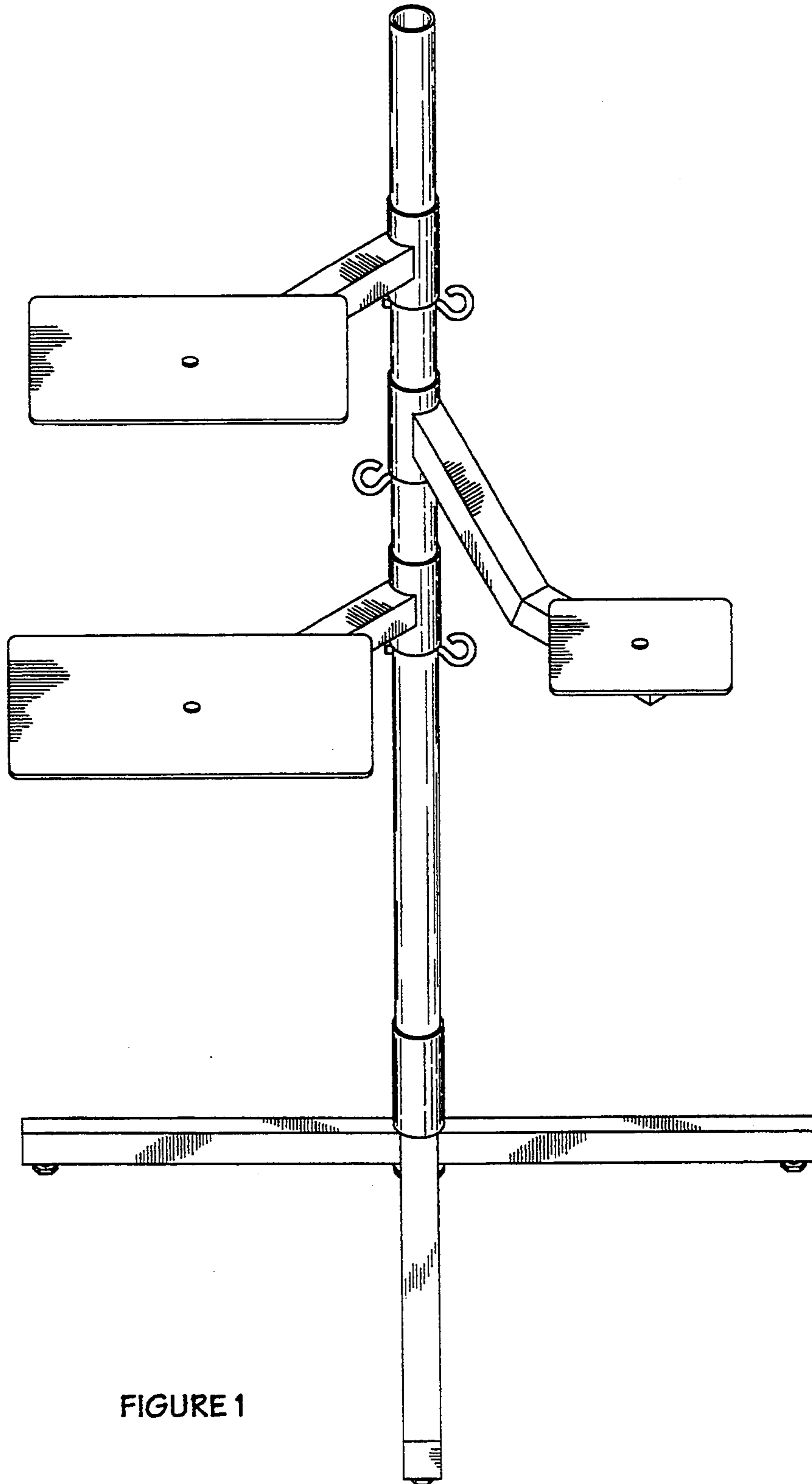


FIGURE 1

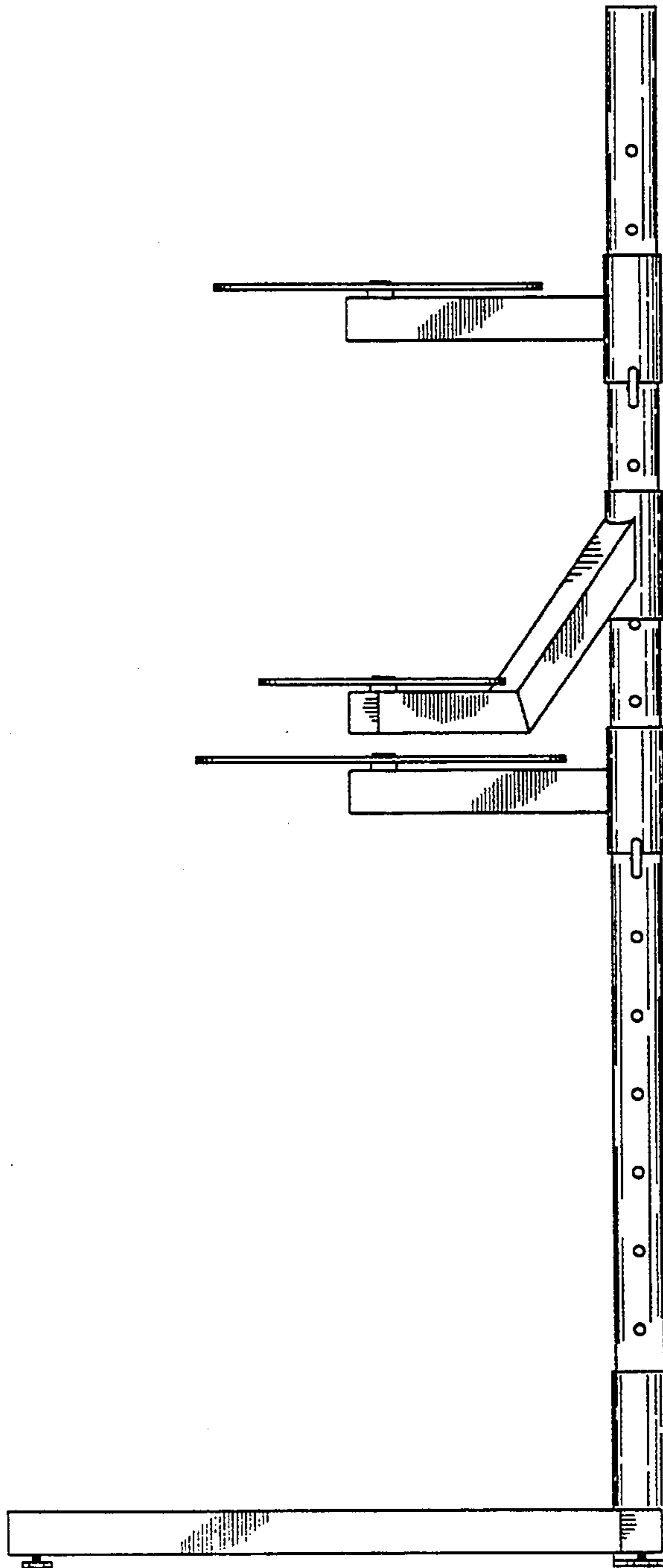


FIGURE 3

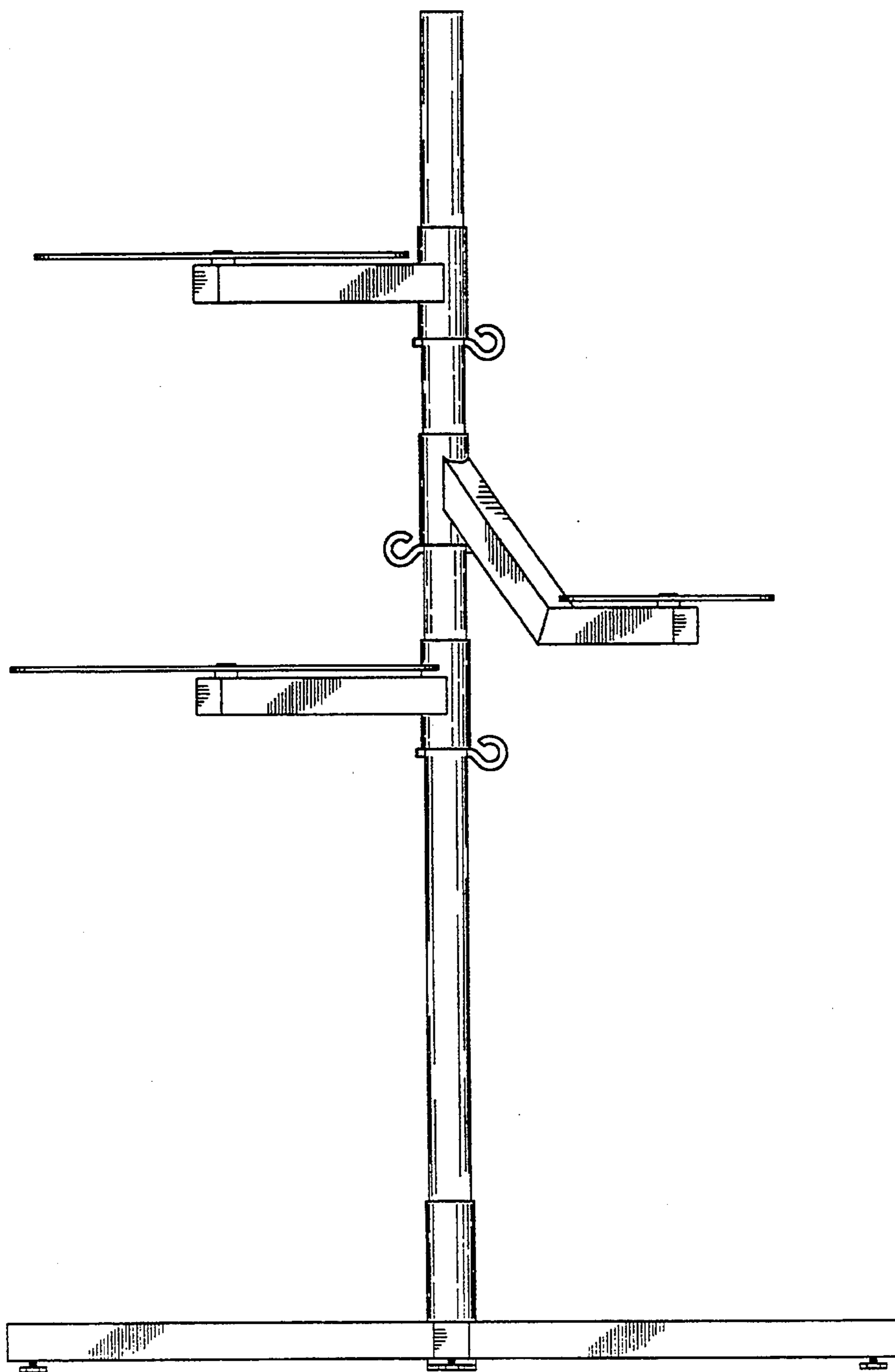


FIGURE 2

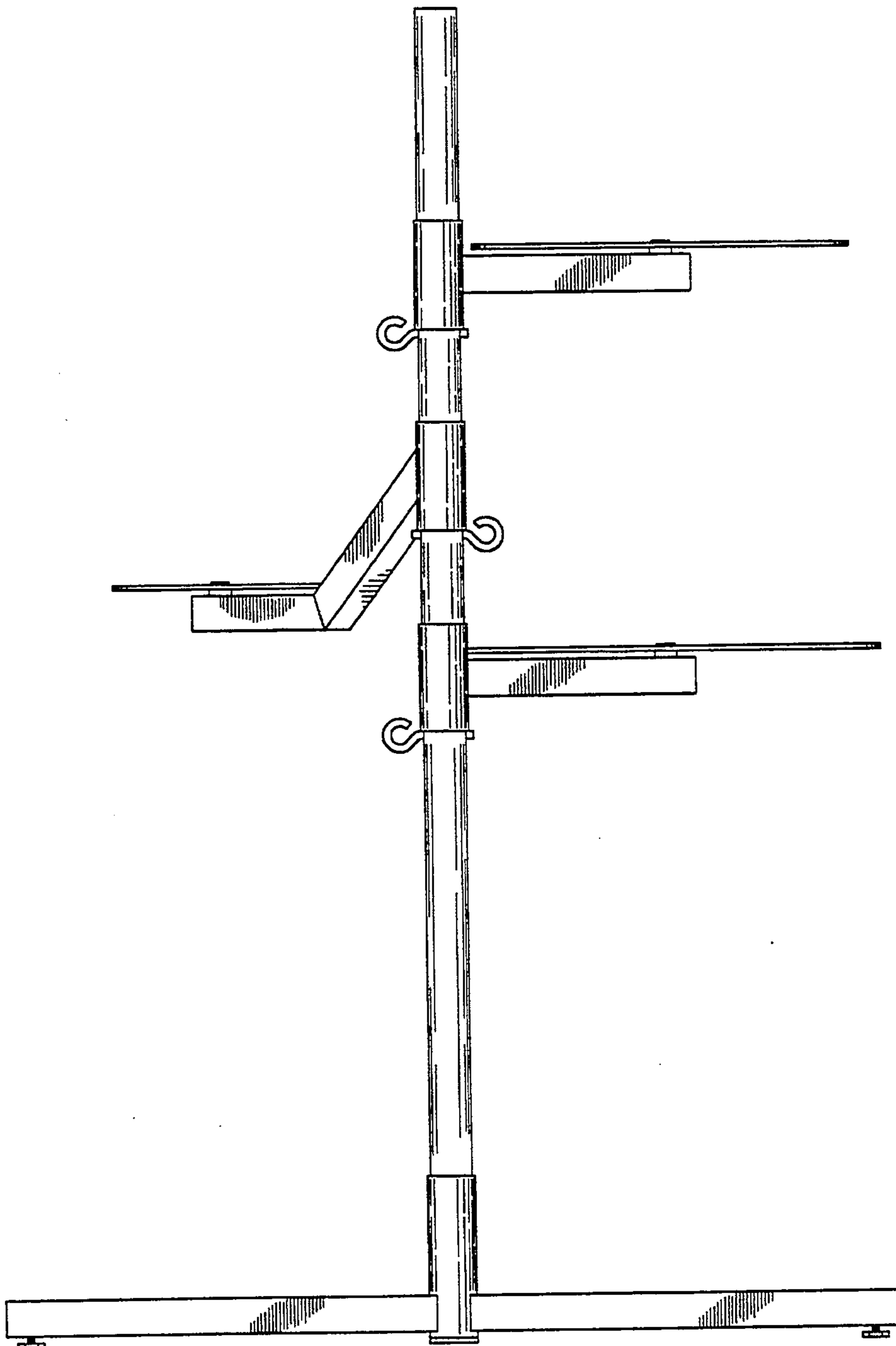


FIGURE 4

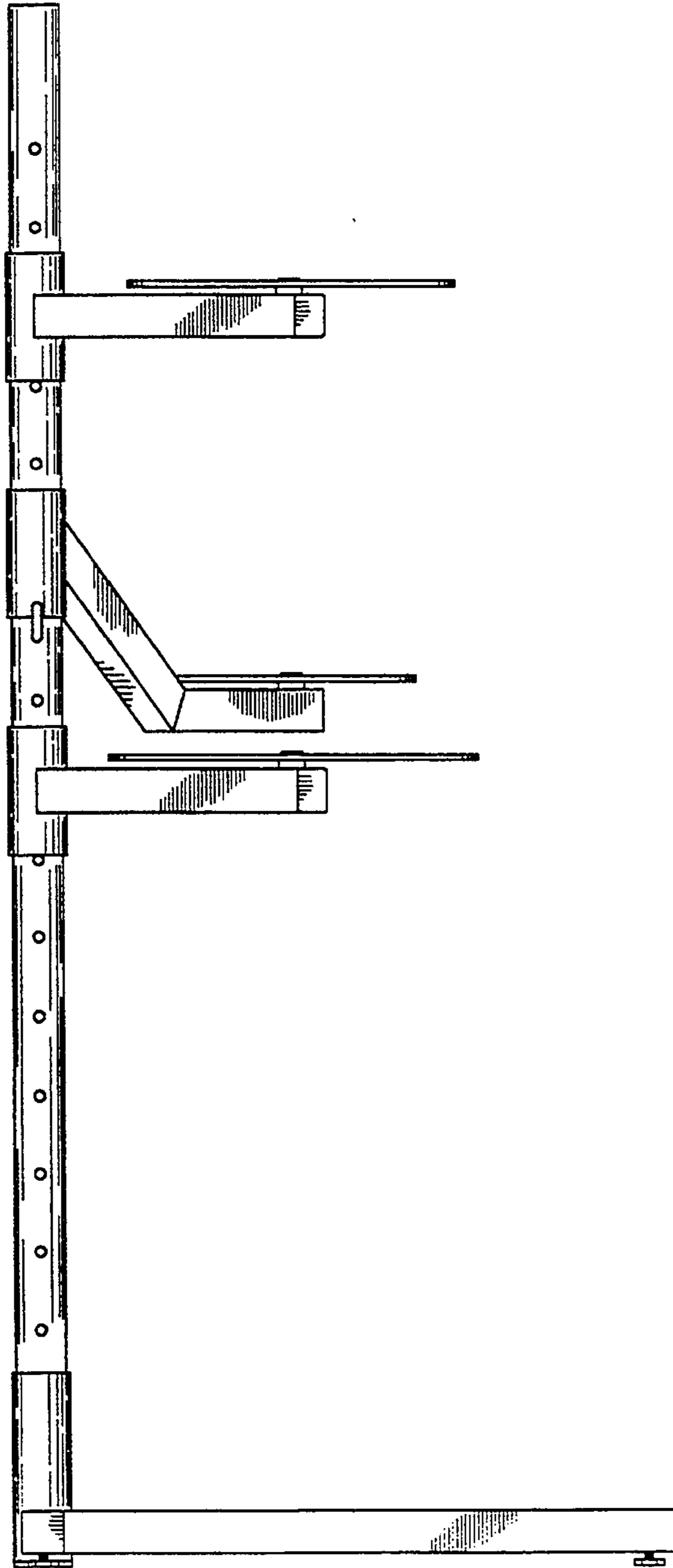


FIGURE 5

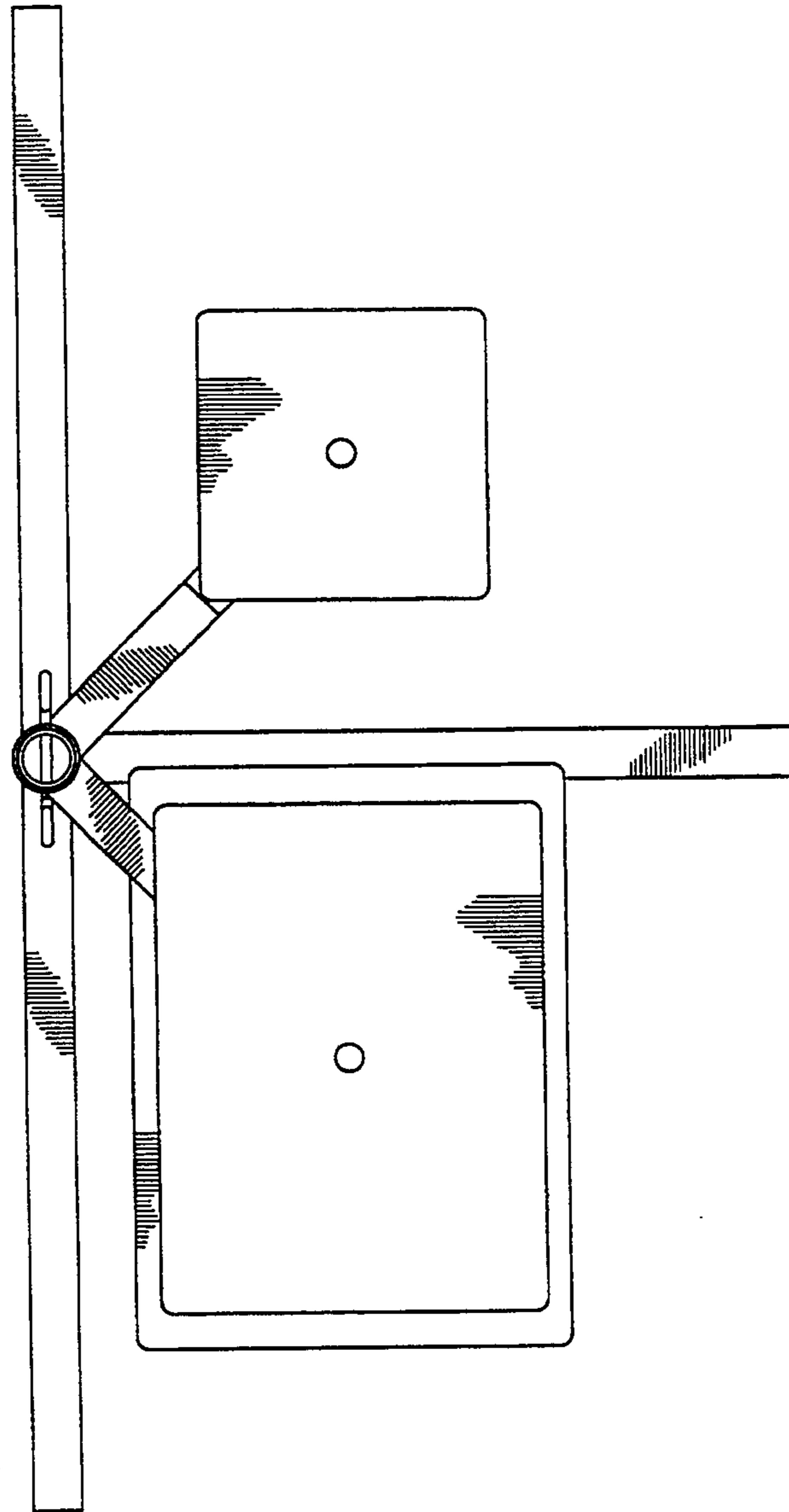


FIGURE 6

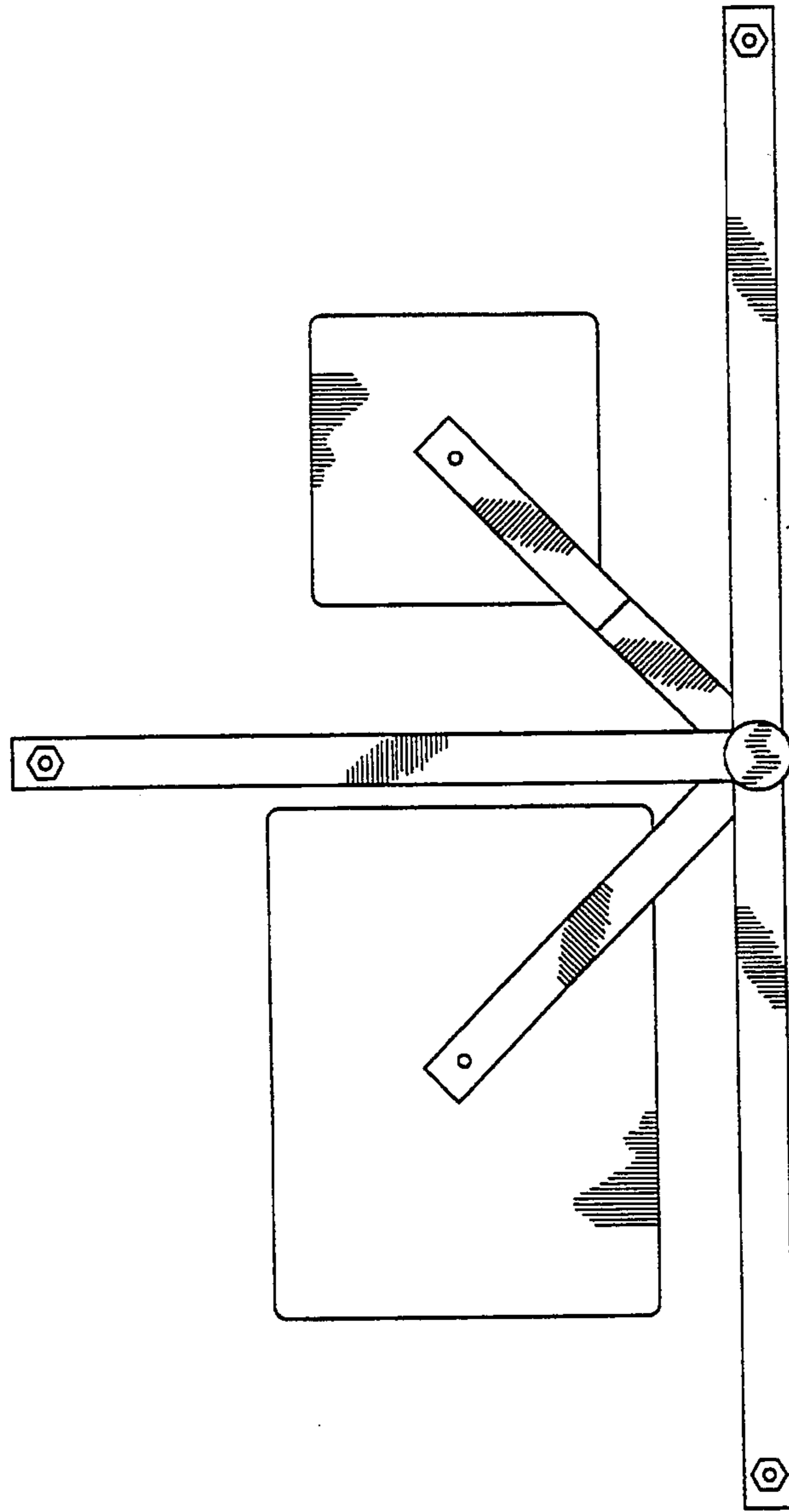


FIGURE 7