



US00D353061S

# United States Patent [19]

[11] Patent Number: **Des. 353,061**

Natuzzi et al.

[45] Date of Patent: **\*\* Dec. 6, 1994**

[54] **SOFA**

[75] Inventors: **Pasquale Natuzzi, Santeramo In Colle; Domenico Abbruzzese, Gioia del Colle, both of Italy**

[73] Assignee: **Industrie Natuzzi, Spa, Bari, Italy**

[\*\*] Term: **14 Years**

[21] Appl. No.: **16,416**

[22] Filed: **Dec. 14, 1993**

Natuzzi Model No. 647 Apr. 1989 at International Home Furnishings Market in High Point, N.C.  
Natuzzi Model No. 653 Oct. 1989 at International Home Furnishings Market in High Point, N.C.  
Natuzzi Model No. 833 Apr. 1991 at International Home Furnishings Market in High Point, N.C.  
Natuzzi Model No. 903 Apr. 1992 at International Home Furnishings Market in High Point, N.C.  
Natuzzi Model No. 933 Apr. 1992 at International Home Furnishings Market in High Point, N.C.  
Natuzzi Model No. 990 Oct. 1992 at International Home Furnishings Market in High Point, N.C.

*Primary Examiner*—Nelson C. Holtje  
*Assistant Examiner*—Gary D. Watson  
*Attorney, Agent, or Firm*—Bell, Seltzer, Park & Gibson

### Related U.S. Application Data

[63] Continuation-in-part of Ser. No. 13,043, Sep. 16, 1993.  
[52] U.S. Cl. .... **D6/381**  
[58] Field of Search ..... D6/334, 364, 371, 373, D6/381, 500, 501, 502; 297/232

### [57] CLAIM

The ornamental design for a sofa, as shown and described.

### [56] References Cited

#### U.S. PATENT DOCUMENTS

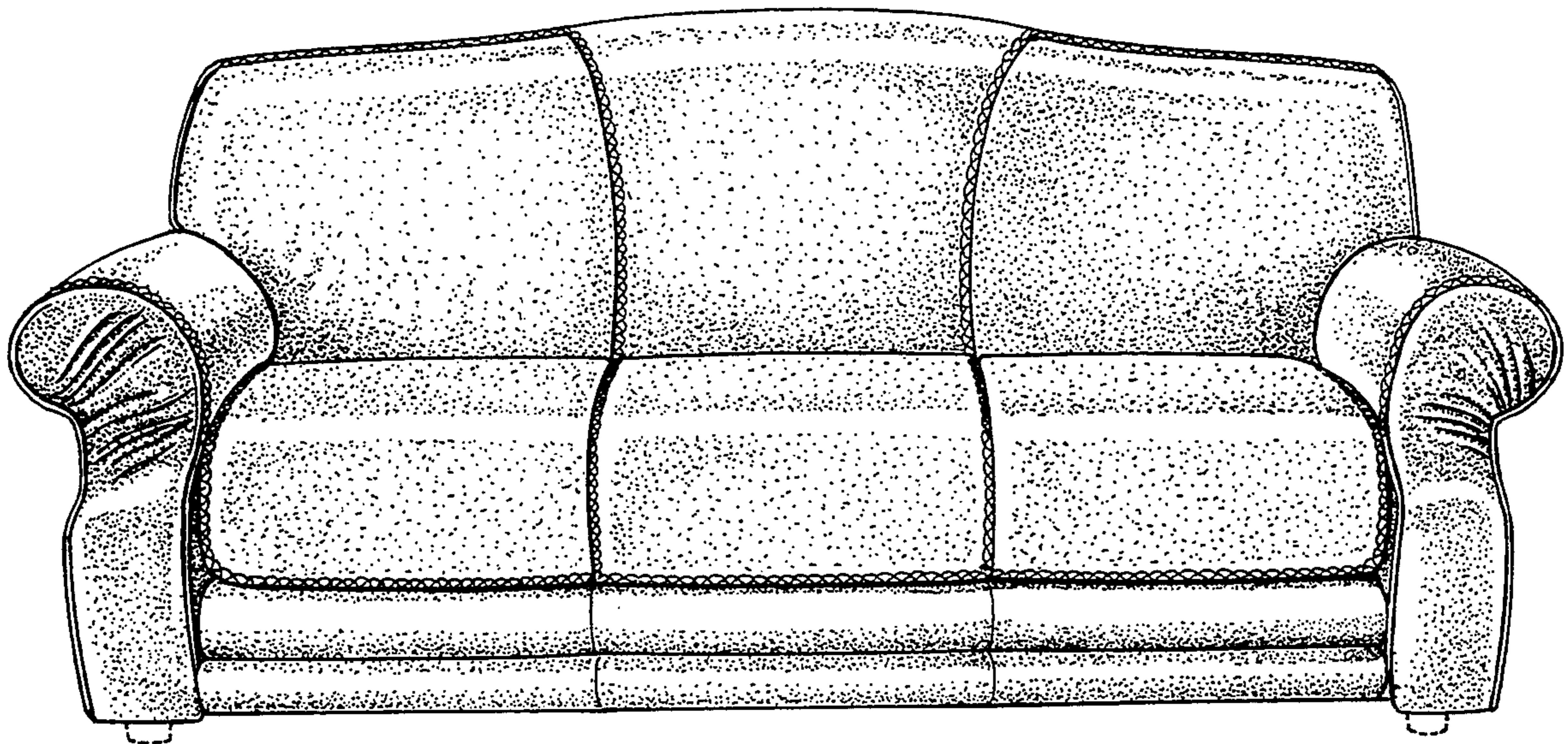
D. 81,095 5/1930 Havel ..... D6/381  
D. 86,100 1/1932 Anderson ..... D6/381  
D. 90,917 10/1933 Lane ..... D6/381

#### OTHER PUBLICATIONS

Mastercraft Interiors catalog, Aug. 15, 1990, p. 9, sofa at top right.  
Hecht's, p. 33, sofa, second from top at right.

### DESCRIPTION

FIG. 1 is a perspective view of a sofa showing our new design;  
FIG. 2 is a front elevational view;  
FIG. 3 is a top plan view;  
FIG. 4 is a right side elevational view, and the left side elevational view being a mirror image thereof;  
FIG. 5 is a rear elevational view; and,  
FIG. 6 is an enlarged fragmentary view of stitches of a sofa taken from the broken-line region of FIG. 2.



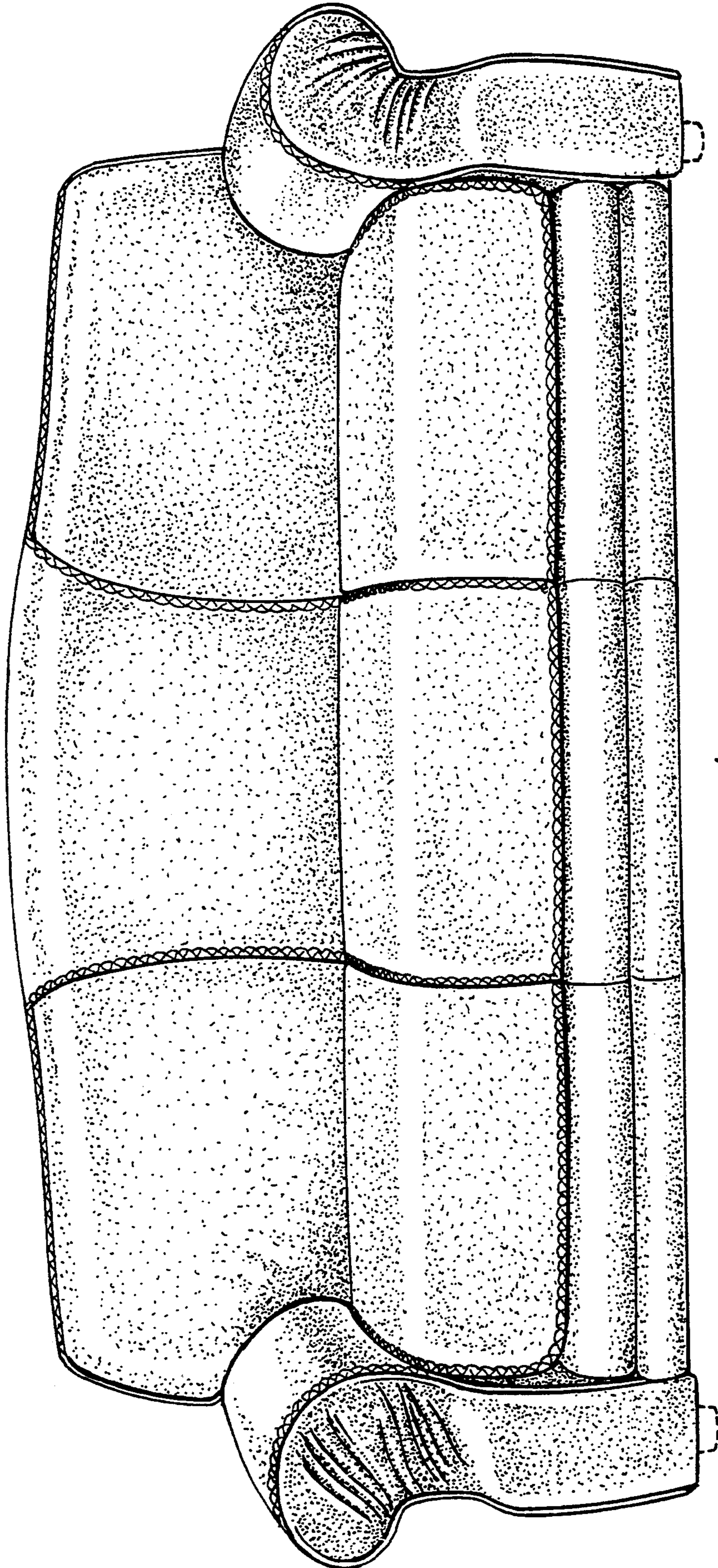


Fig-1

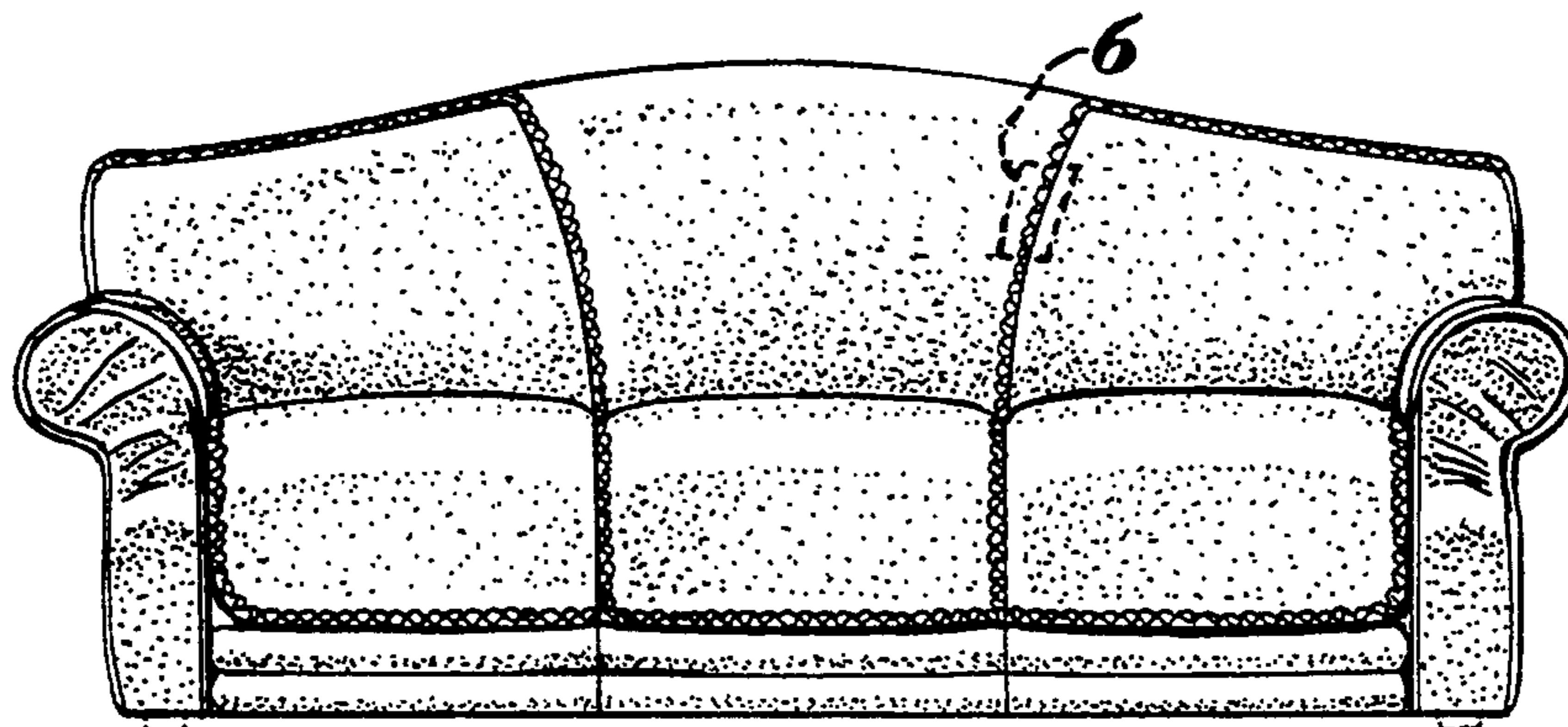


FIG-2

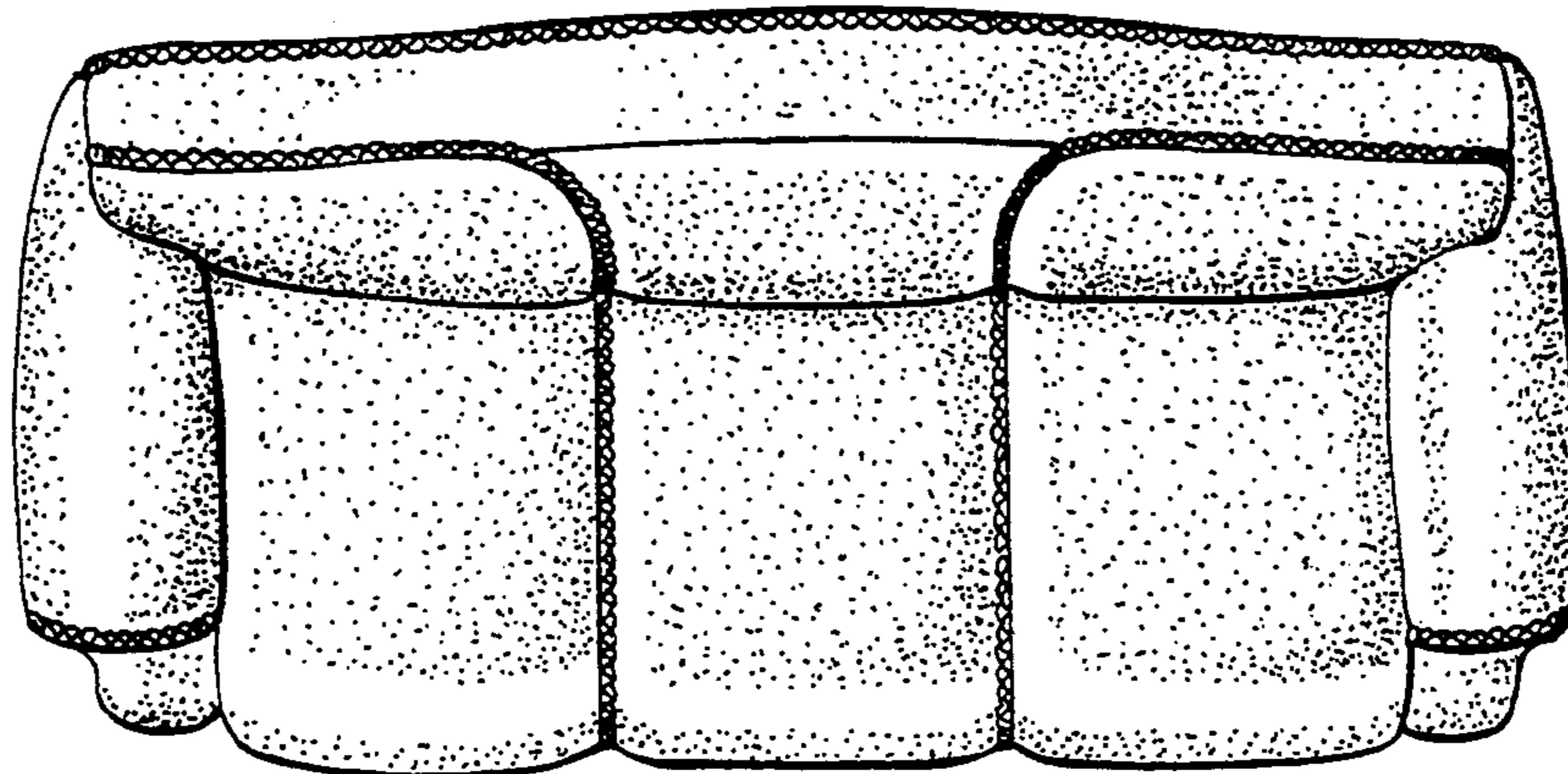


FIG-3

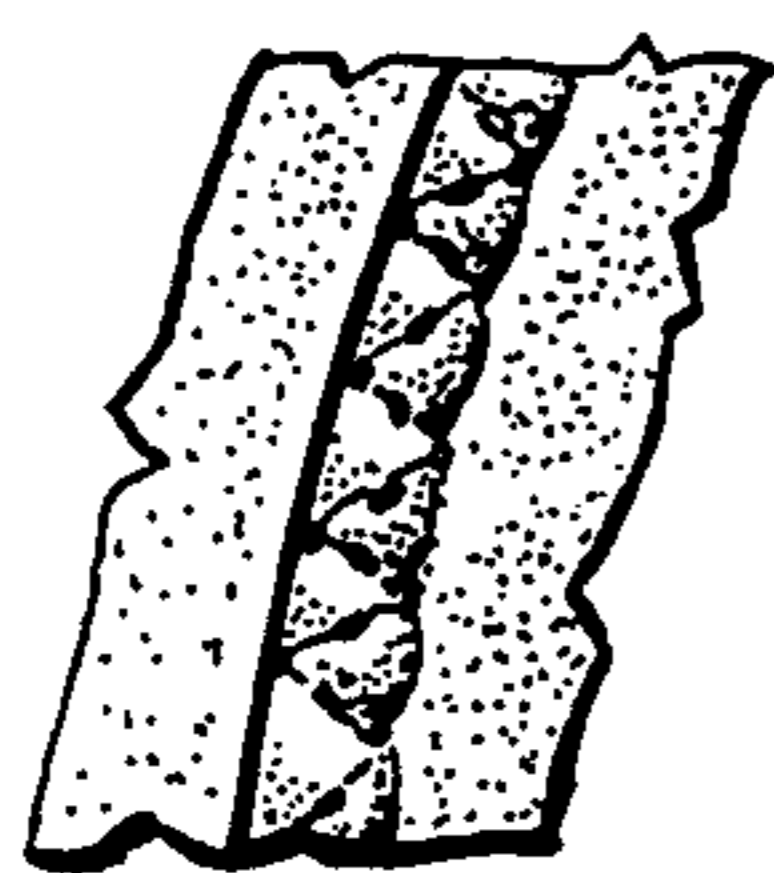


FIG-6

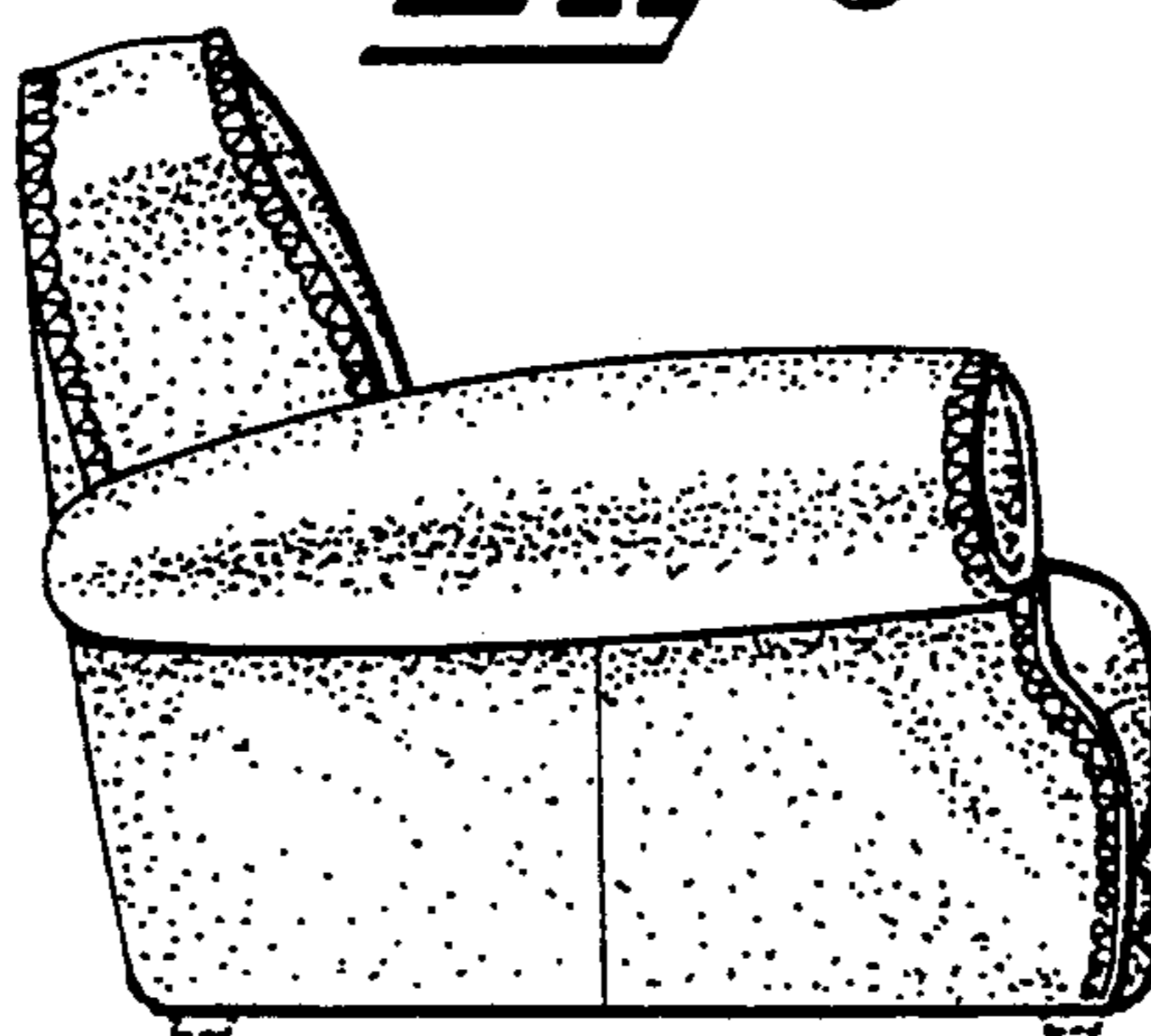


FIG-4

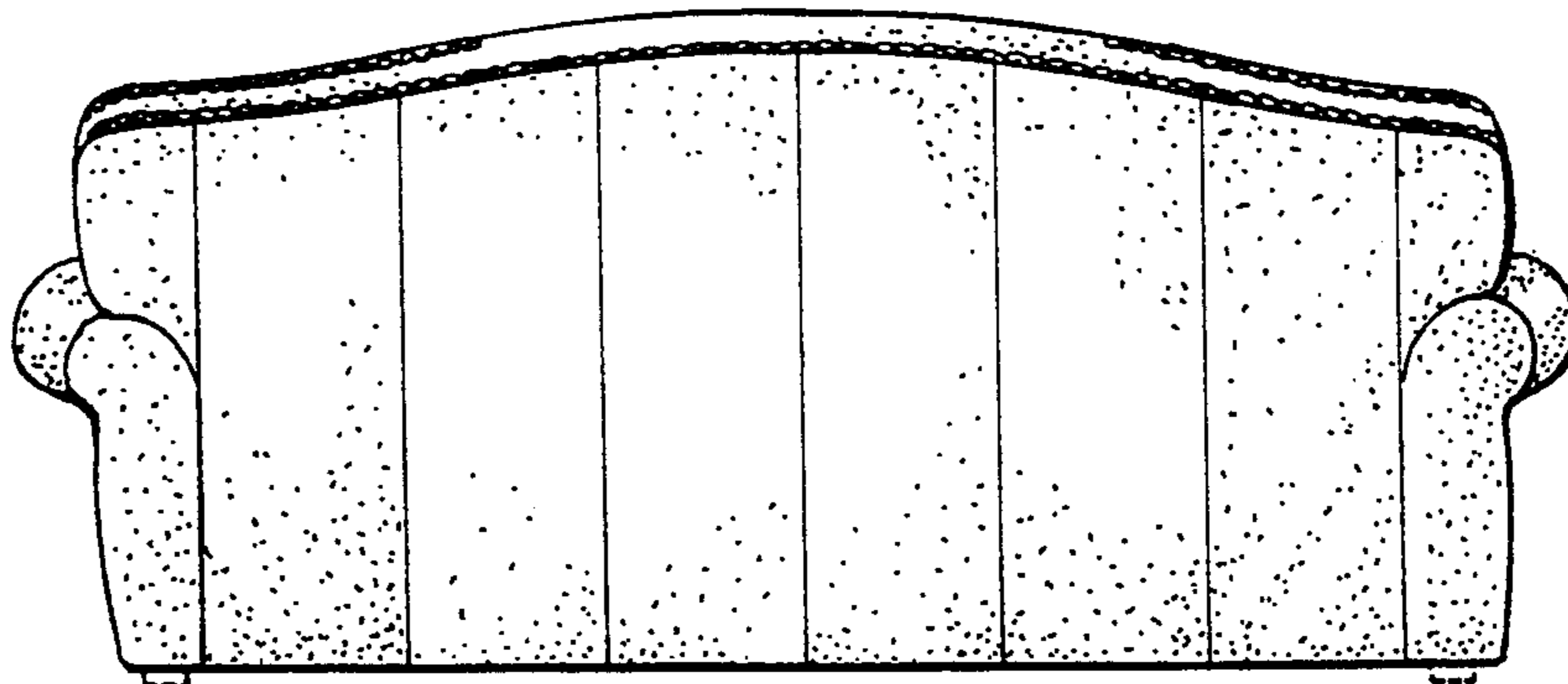


FIG-5