



US00D353058S

United States Patent [19]

[11] Patent Number: **Des. 353,058**

Dallas

[45] Date of Patent: **** Dec. 6, 1994**

[54] **CHAIR FOR A MECHANIC**

D. 298,674 11/1988 Koller, Sr. D6/336 X
4,832,355 5/1989 Hung D6/335 X

[75] Inventor: **W. Gordon Dallas, Ashland, Ohio**

OTHER PUBLICATIONS

[73] Assignees: **Dallas Tech Tools, Inc., Ashland;**
Whiteside Mfg. Co., Delaware, both
of Ohio

Lisle Corporation, Carinda, Iowa (1 sheet); undated but
prior to Apr. 16, 1993.

[**] Term: **14 Years**

Whiteside Mfg. Co., Inc., P.O. Box 322, 309 Hayes St.,
Delaware, Ohio 43015 (1 sheet); 1992.

[21] Appl. No.: **7,145**

Primary Examiner—Alan P. Douglas

[22] Filed: **Apr. 16, 1993**

Assistant Examiner—Gary D. Watson

[52] U.S. Cl. **D6/336; D6/375;**
D34/23

Attorney, Agent, or Firm—Renner, Kenner, Greive,
Bobak, Taylor & Weber

[58] Field of Search **D6/334, 335, 336, 367,**
D6/374, 375, 380, 500, 501, 502; 297/411.41;
D15/15, 22-26, 28; D34/23

[57] CLAIM

The ornamental design for a chair for a mechanic, as
shown and described.

[56] References Cited

DESCRIPTION

U.S. PATENT DOCUMENTS

D. 184,360	2/1959	Leja	D6/367 X
D. 192,421	3/1962	Bostrom	D6/375 X
D. 246,553	12/1977	Ballenger	D6/374 X
D. 248,810	8/1978	Day	D6/375
D. 261,834	11/1981	Stebbins	D6/336
D. 275,060	8/1984	Buhk	D6/380
D. 289,706	5/1987	Talmon et al.	D6/500 X
D. 296,047	6/1988	Kucera et al.	D6/334 X

FIG. 1 is a perspective view of a chair for a mechanic
embodying my new design;

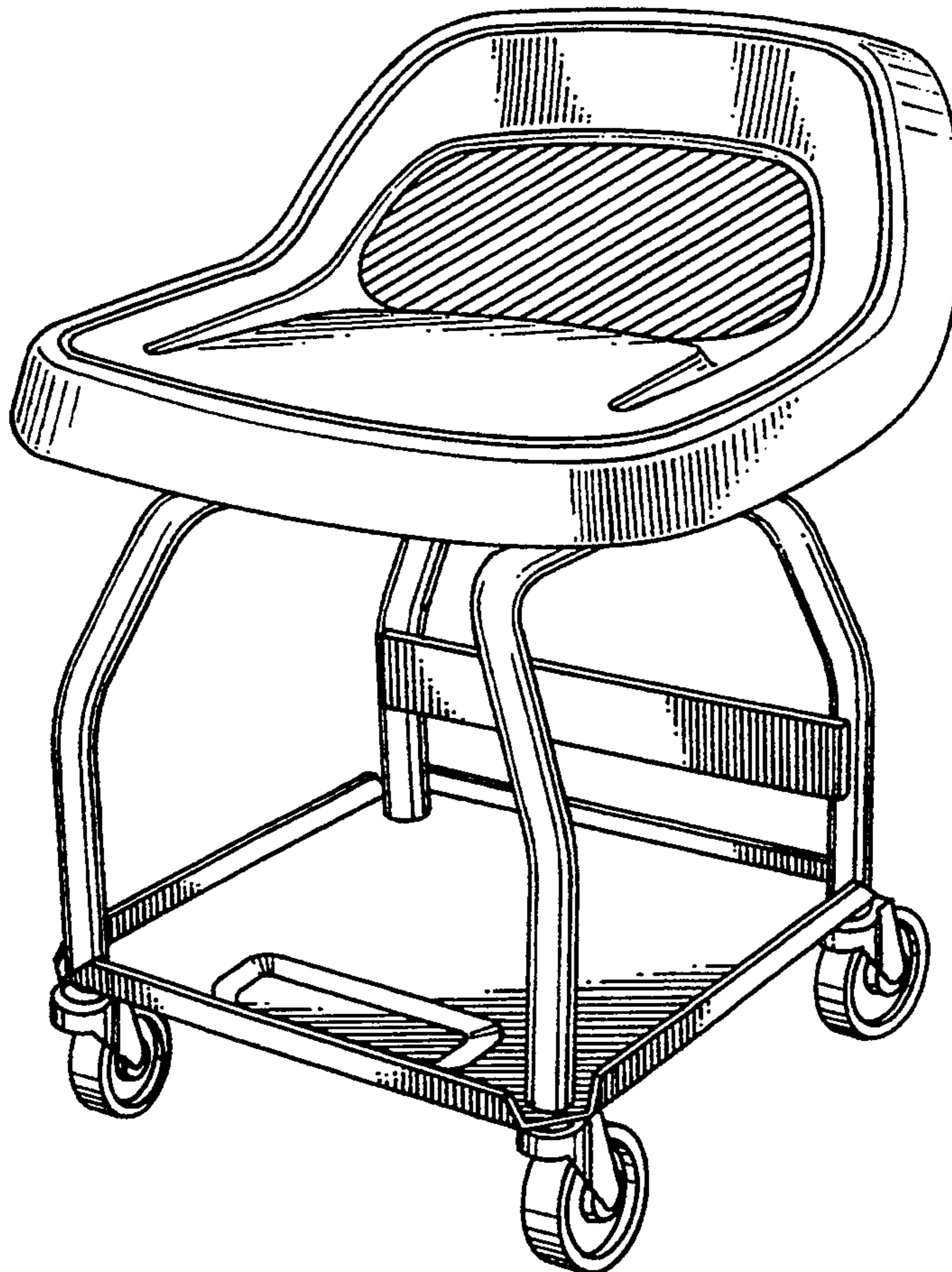
FIG. 2 is a top plan view thereof;

FIG. 3 is a side elevational view thereof, the opposite
side being a mirror image of that shown in FIG. 3;

FIG. 4 is a front elevational view thereof;

FIG. 5 is a rear elevational view thereof; and,

FIG. 6 is a bottom plan view thereof.



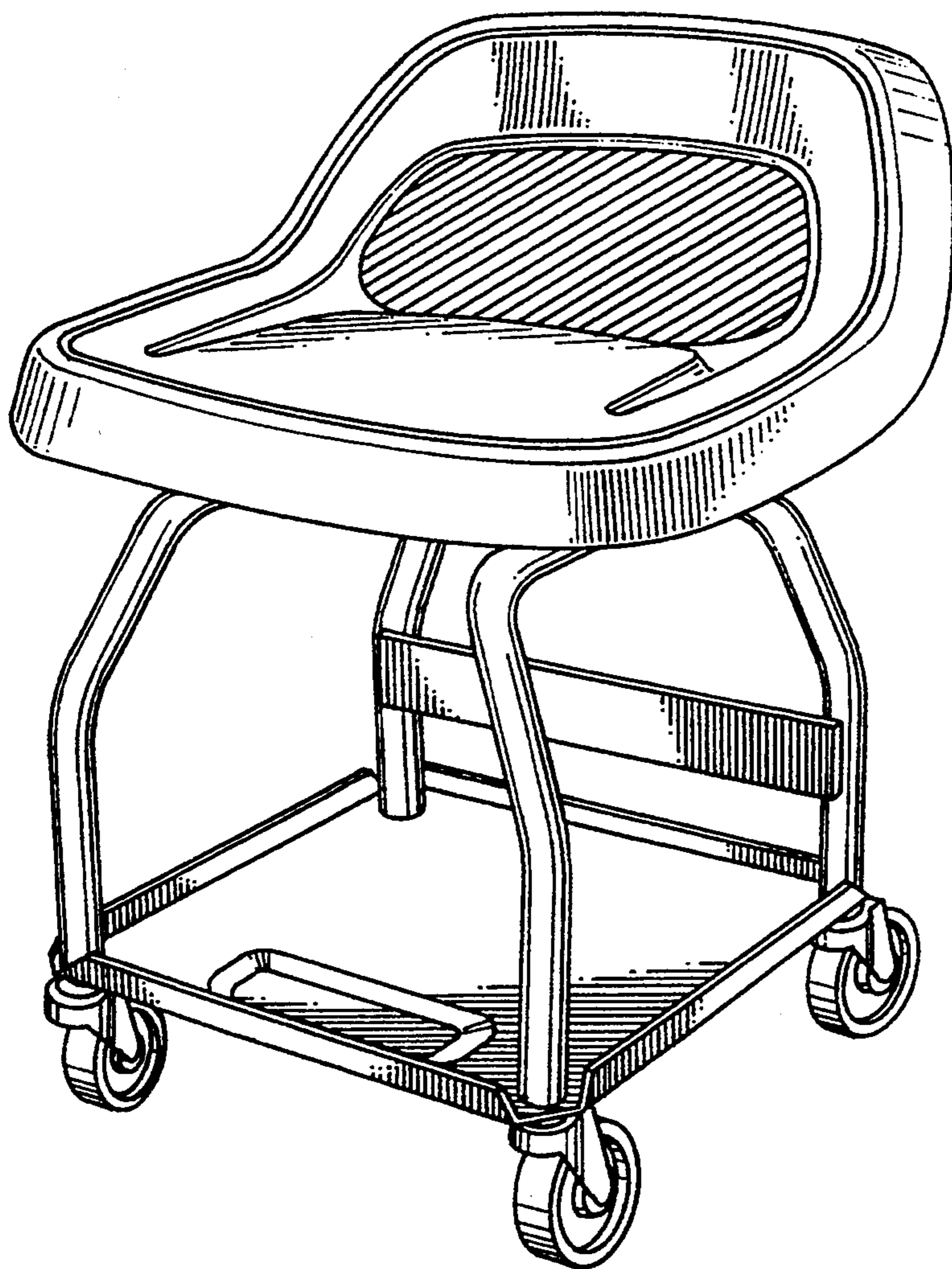


FIG. 1

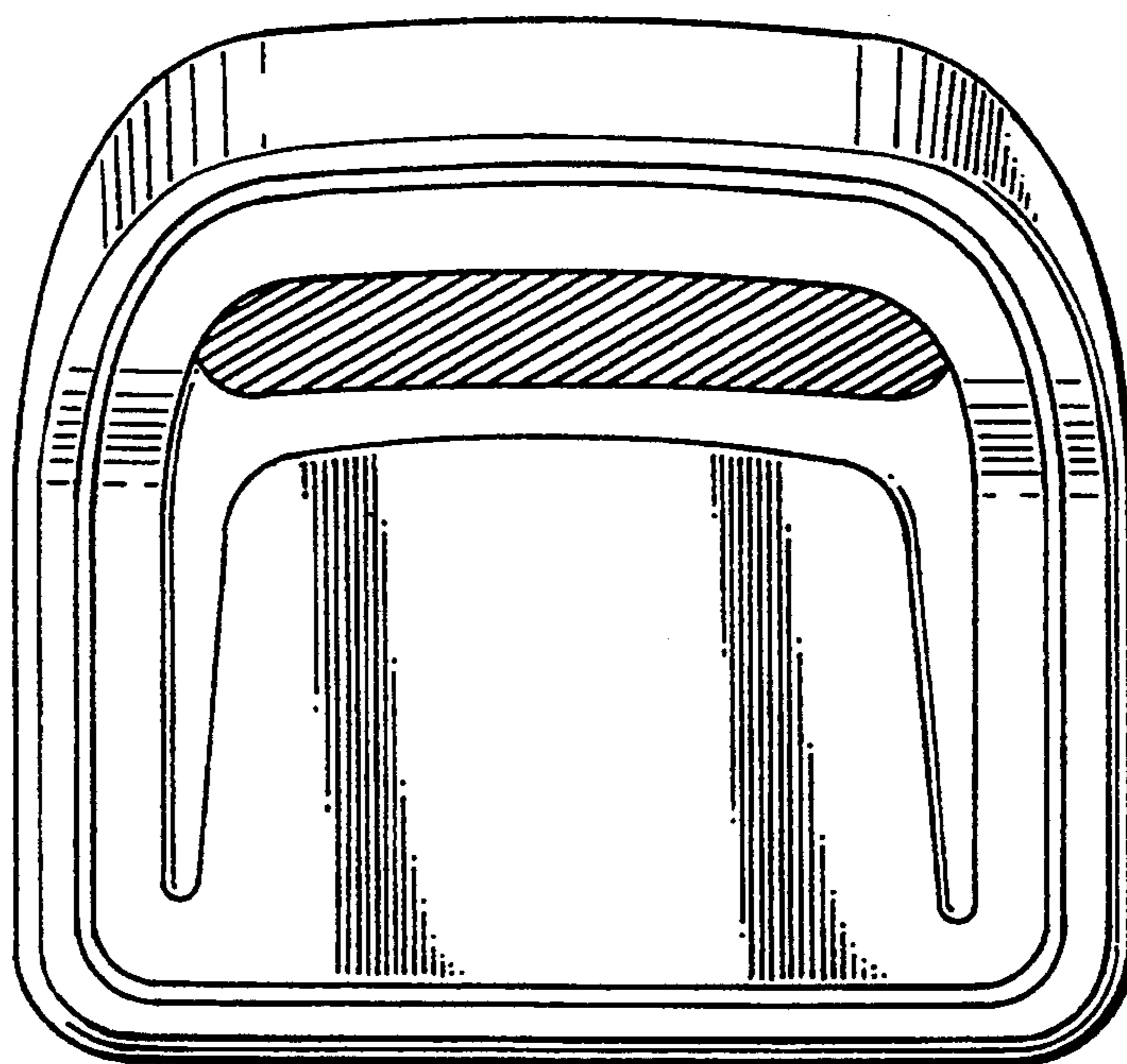


FIG. 2

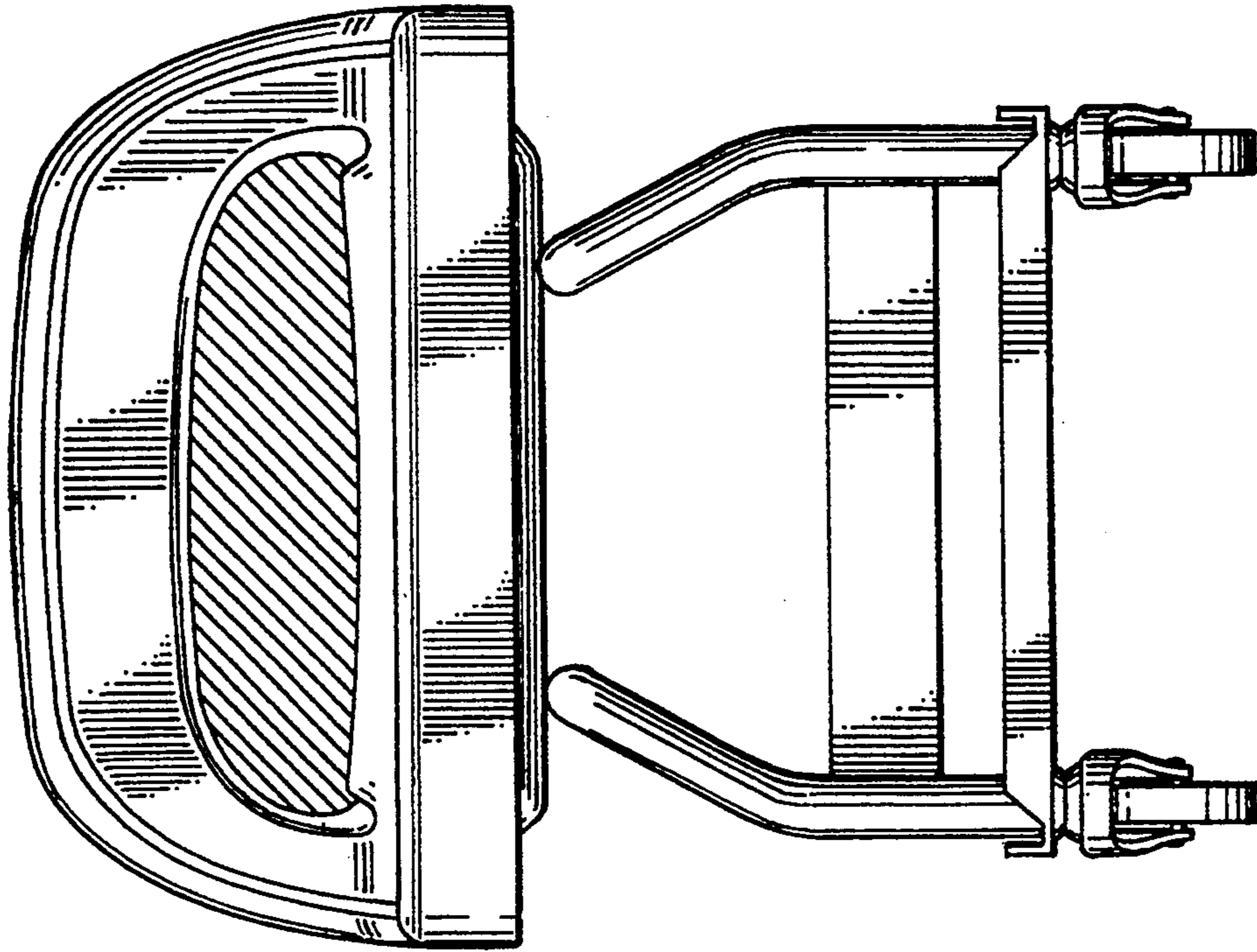


FIG. 4

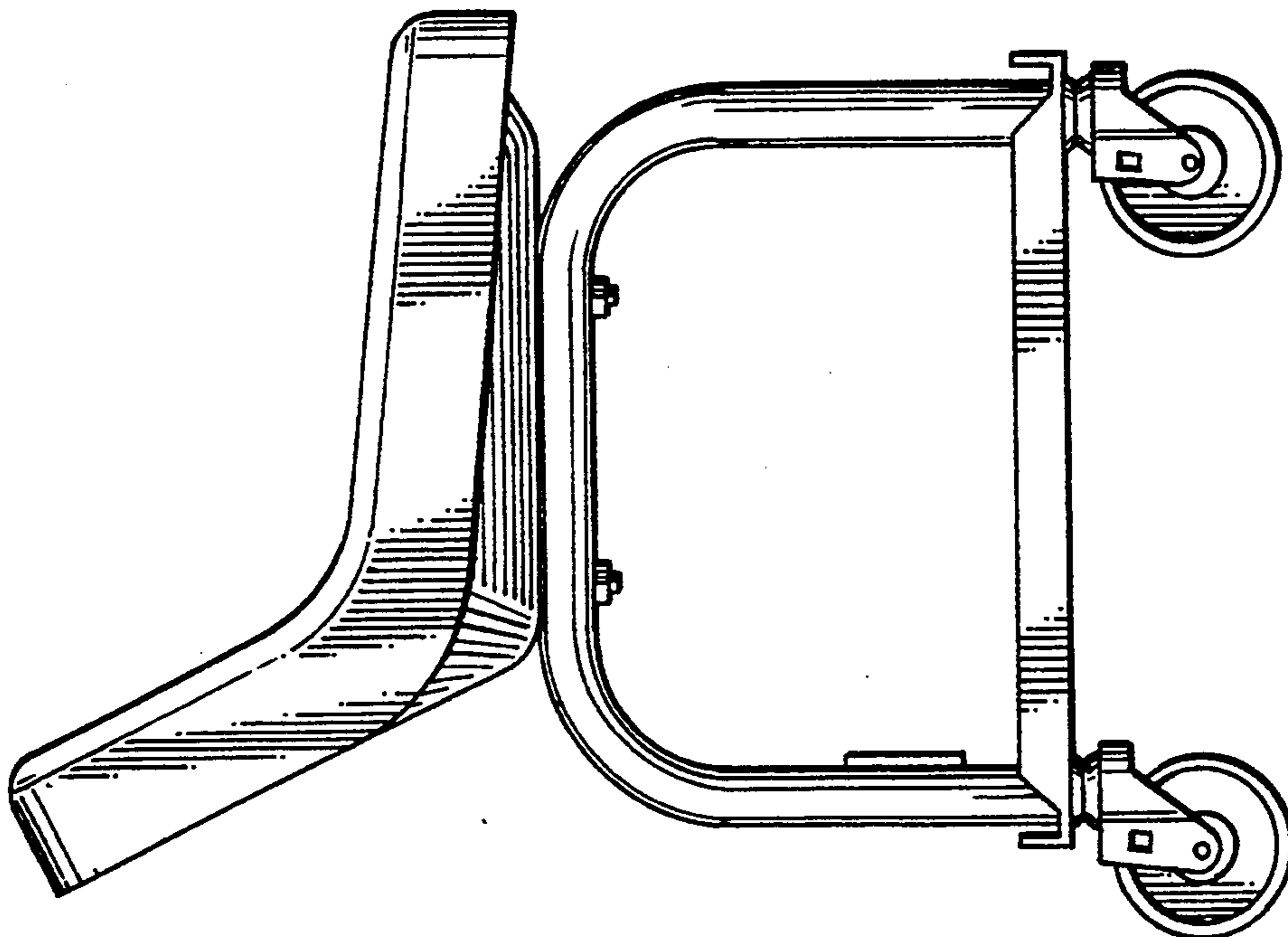


FIG. 3

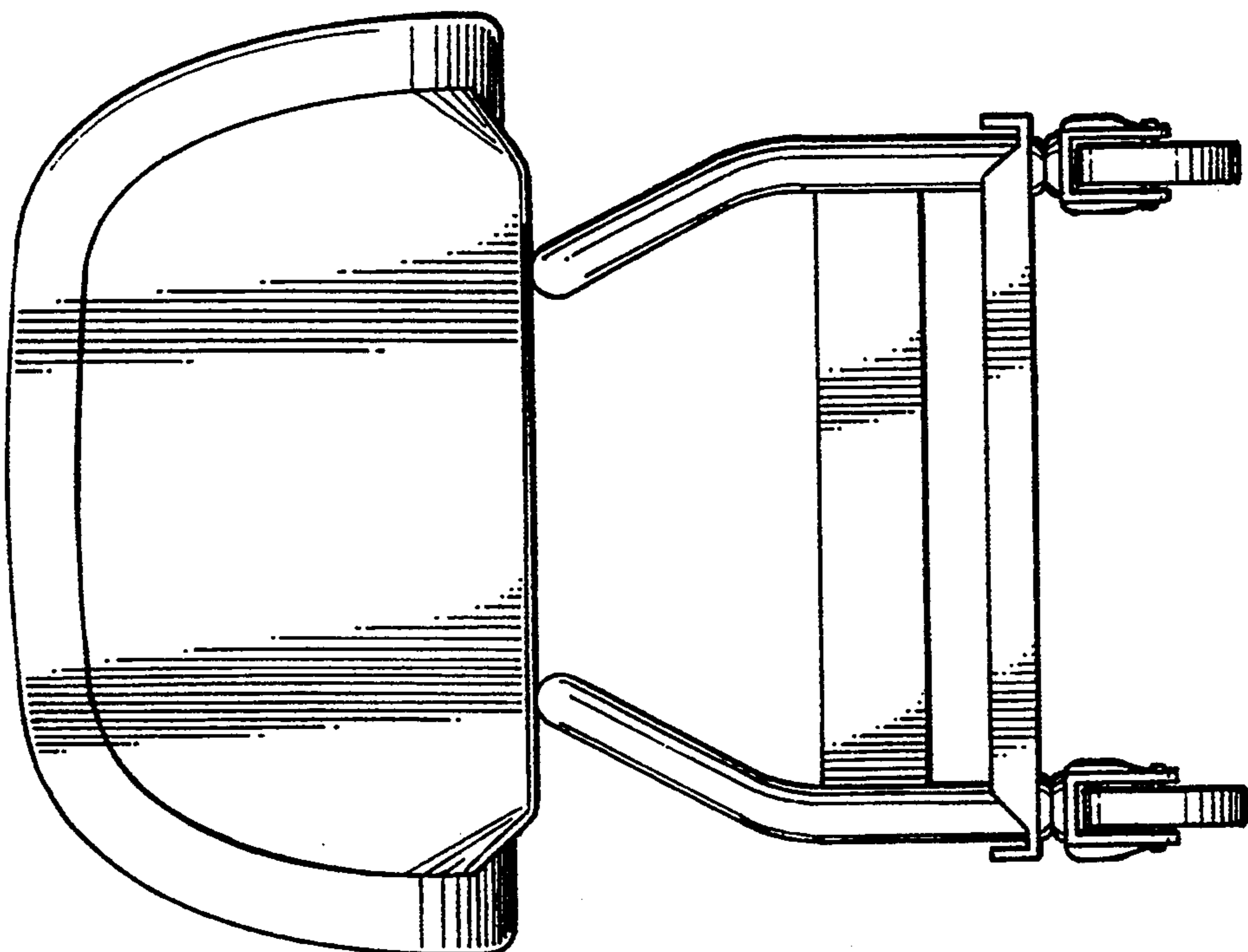


FIG. 5

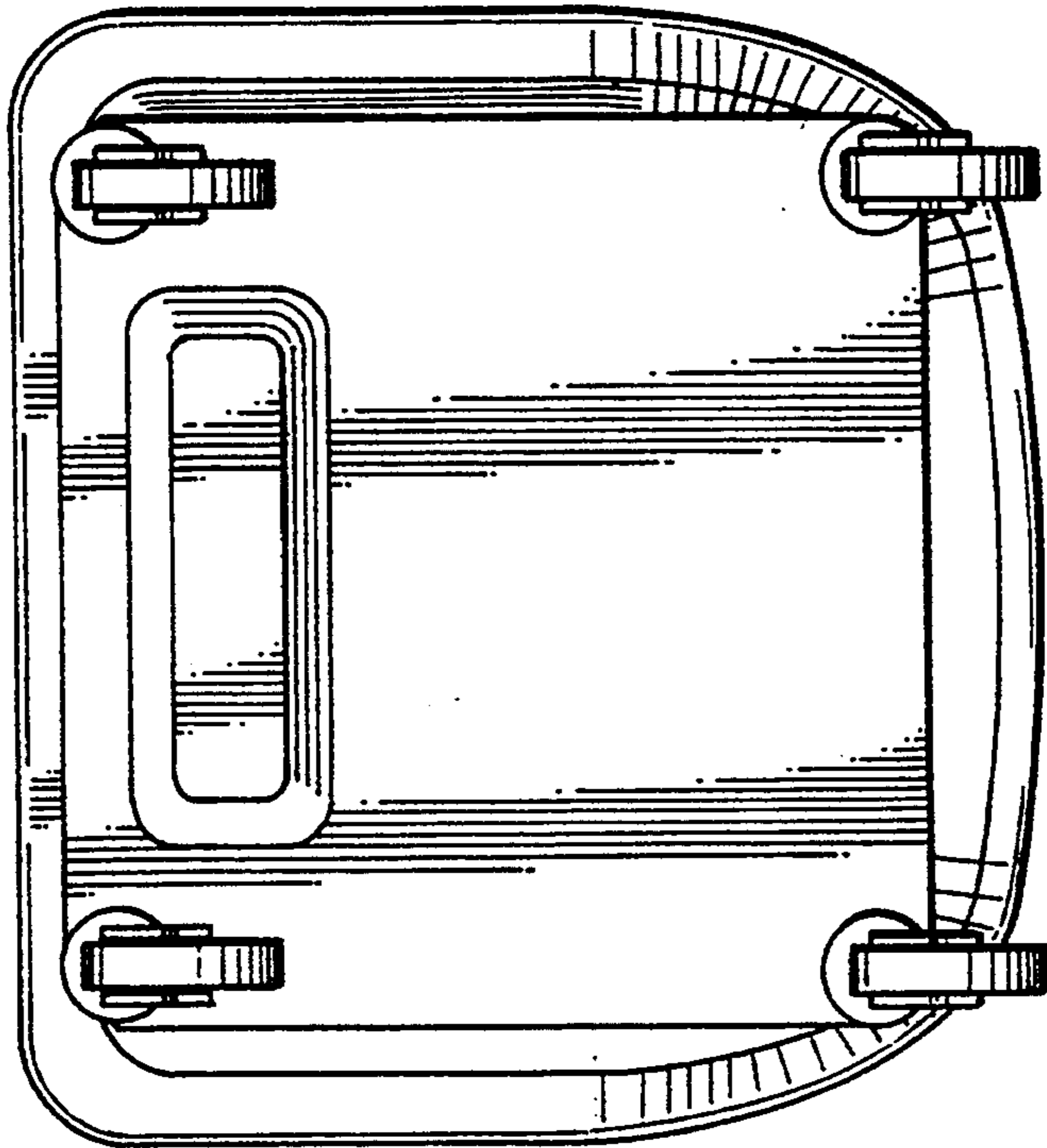


FIG. 6