



US00D353057S

# United States Patent [19]

[11] Patent Number: **Des. 353,057**

**Koyanagi et al.**

[45] Date of Patent: **\*\* Dec. 6, 1994**

[54] **CAR CHAIR FOR A CHILD**

D. 338,343	8/1993	Grange .....	D6/333
4,634,185	1/1987	Kassai .....	297/148 X
5,052,750	10/1991	Takahashi et al. ....	297/256.15 X

[75] Inventors: **Toshiro Koyanagi; Yayoi Hashimoto,**  
both of Hikone, Japan

[73] Assignee: **Takata Corporation,** Tokyo, Japan

[\*\*] Term: **14 Years**

[21] Appl. No.: **6,666**

[22] Filed: **Apr. 2, 1993**

[30] **Foreign Application Priority Data**

Nov. 4, 1992 [JP] Japan ..... 4-32455

[52] **U.S. Cl.** ..... **D6/333**

[58] **Field of Search** ..... **D6/329, 333; 297/250.1,**  
**297/256.15, 467, 485, 487, 488, 148-150, 153;**  
**D12/129**

[56] **References Cited**

**U.S. PATENT DOCUMENTS**

D. 286,470	11/1986	Takada .....	D6/333
D. 287,670	1/1987	Kassai .....	D6/333
D. 311,281	10/1990	Meeker .....	D6/333
D. 319,543	9/1991	Takahashi et al. ....	D6/333

**OTHER PUBLICATIONS**

Best p. 382, Car Seat #1 at top left.

*Primary Examiner*—Janice E. Seeger  
*Attorney, Agent, or Firm*—Kanesaka & Takeuchi

[57] **CLAIM**

The ornamental design for a car chair for a child, as shown and described.

**DESCRIPTION**

FIG. 1 is a perspective view of a car chair for a child; FIG. 2 is a front view thereof; FIG. 3 is a rear view thereof; FIG. 4 is a left side view thereof; FIG. 5 is a right side view thereof; FIG. 6 is a plan view thereof; FIG. 7 is a bottom view thereof; FIG. 8 is a front view when a back seat is moved to a lowered position thereof; and, FIG. 9 is a right side view of the car chair for a child as shown in FIG. 8.

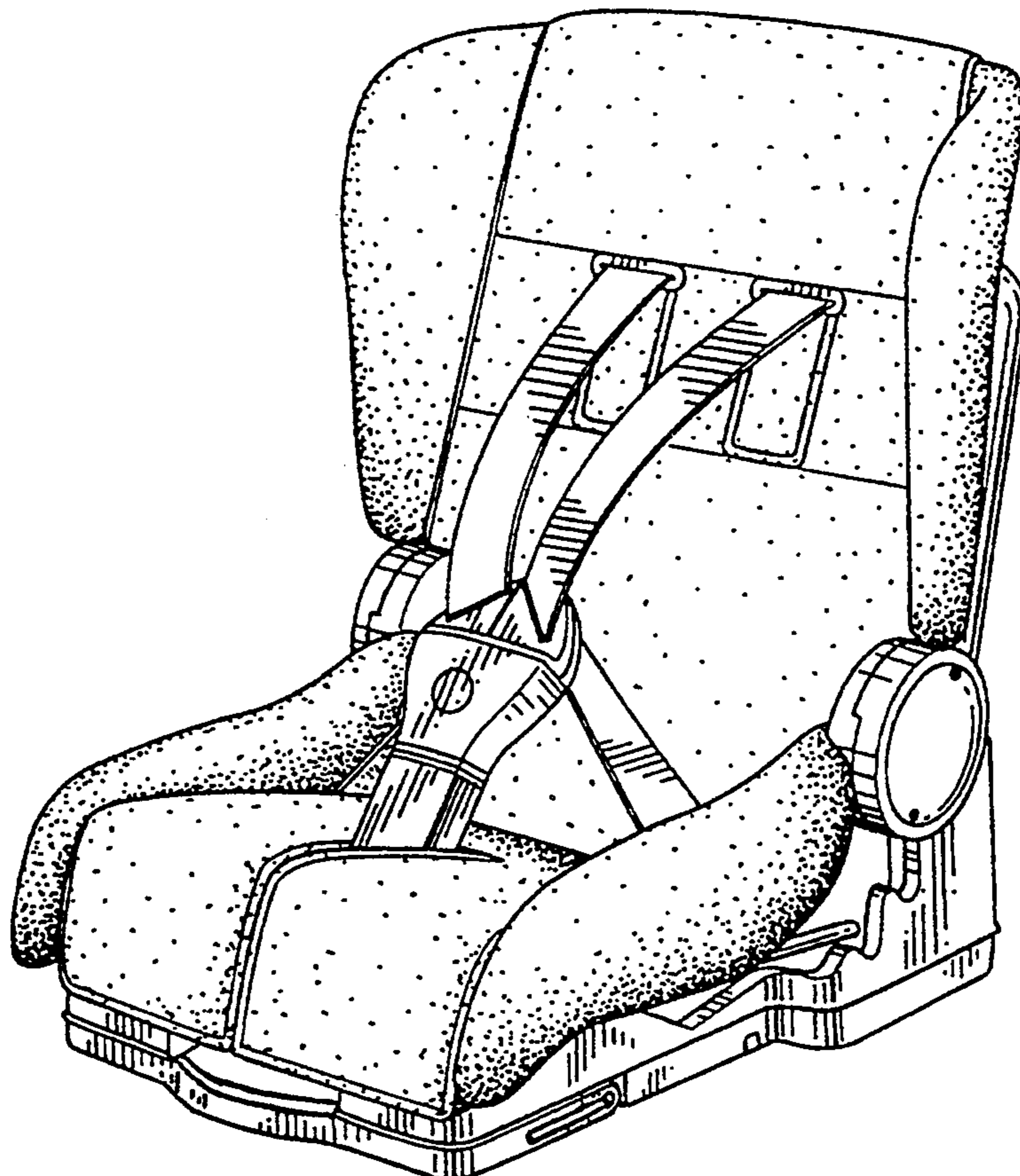


FIG. 1

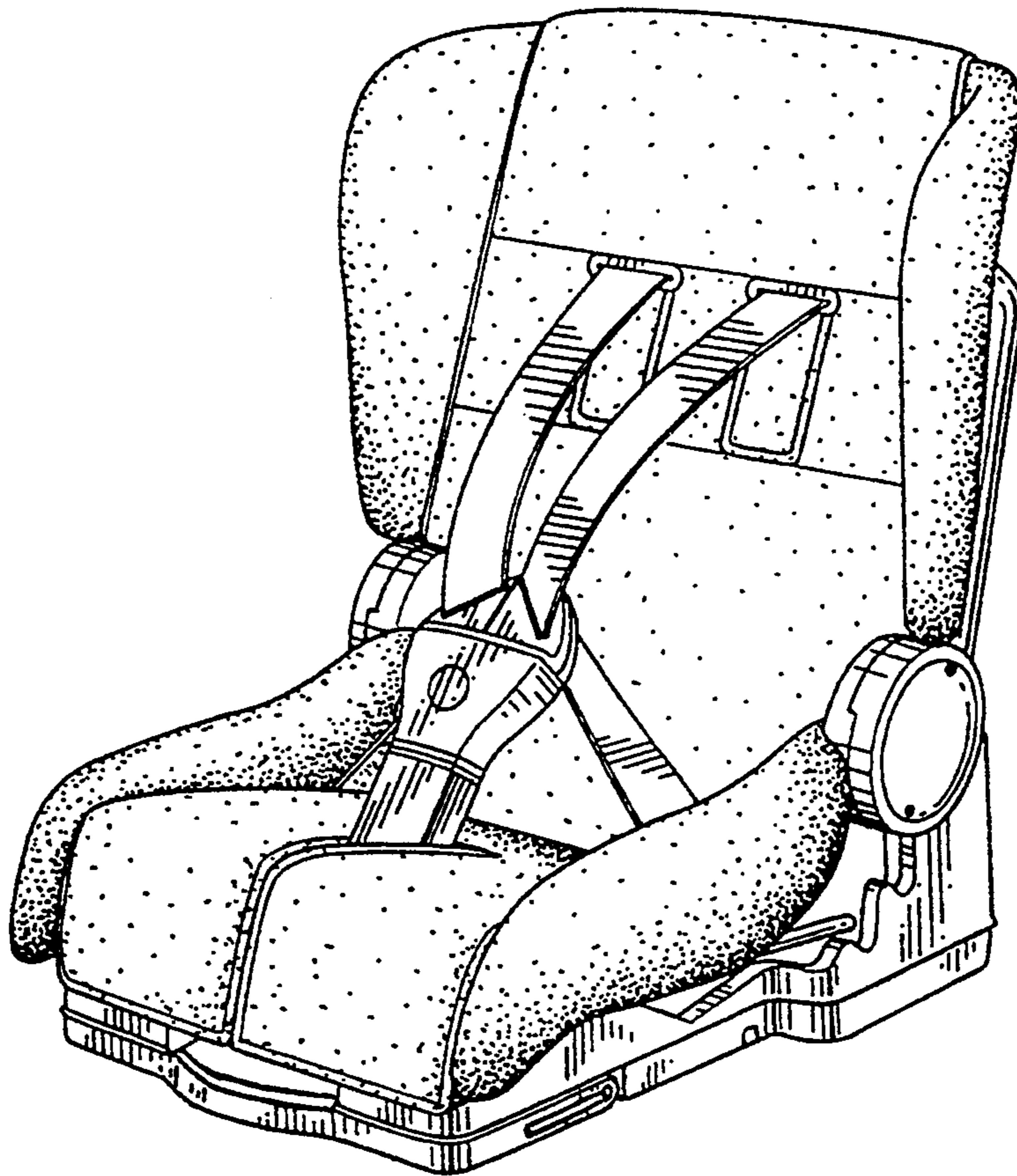


FIG. 2

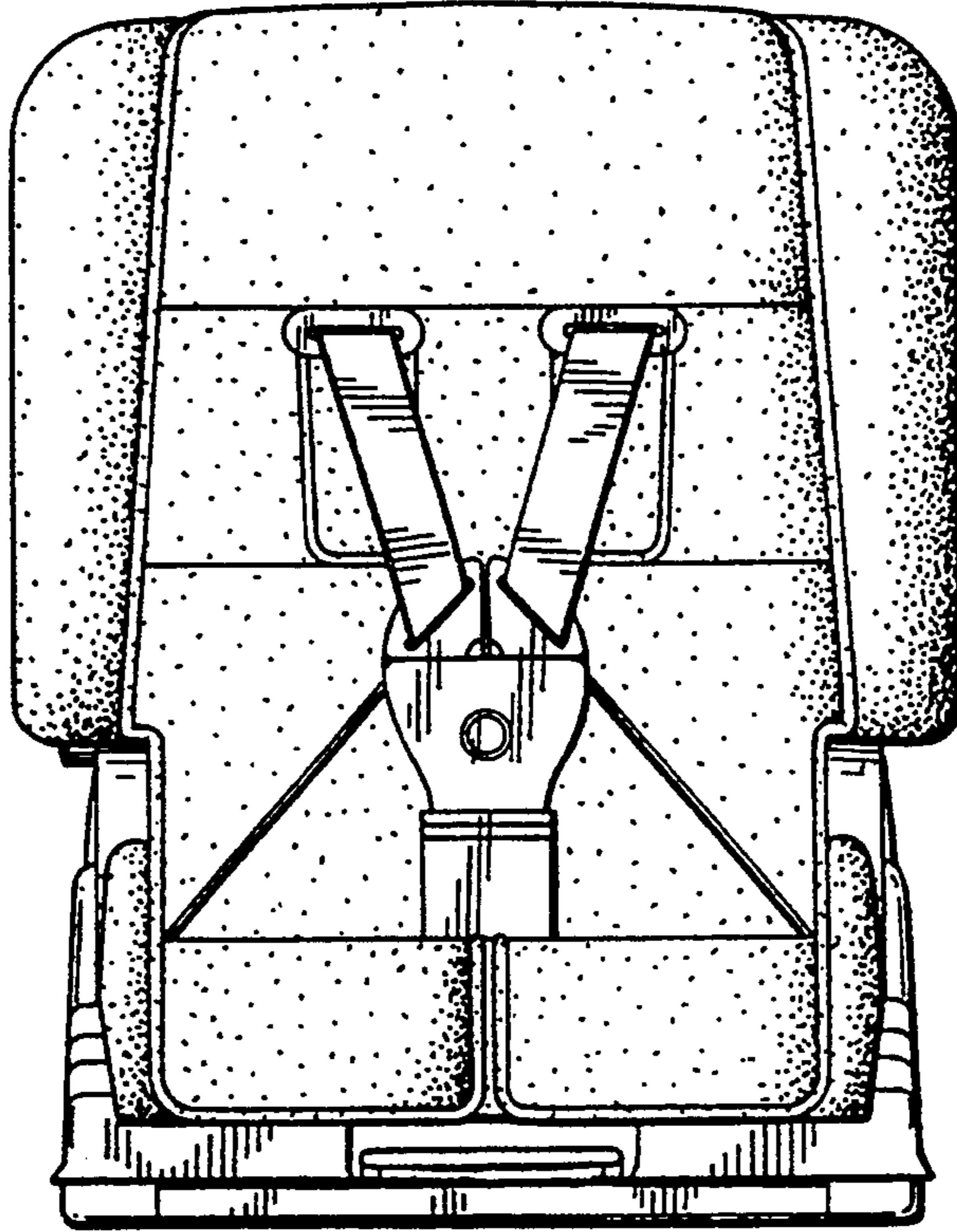


FIG. 3

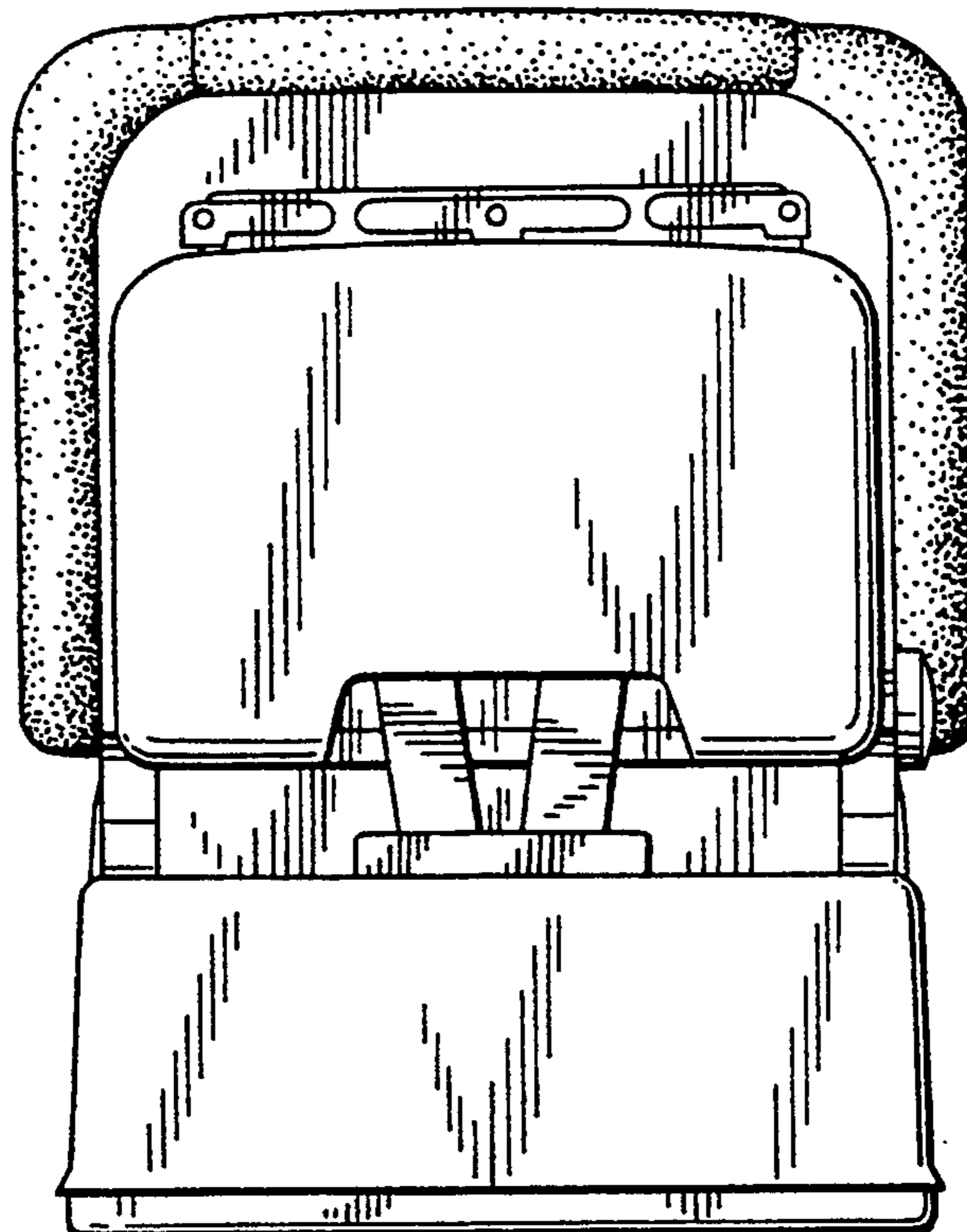


FIG. 4

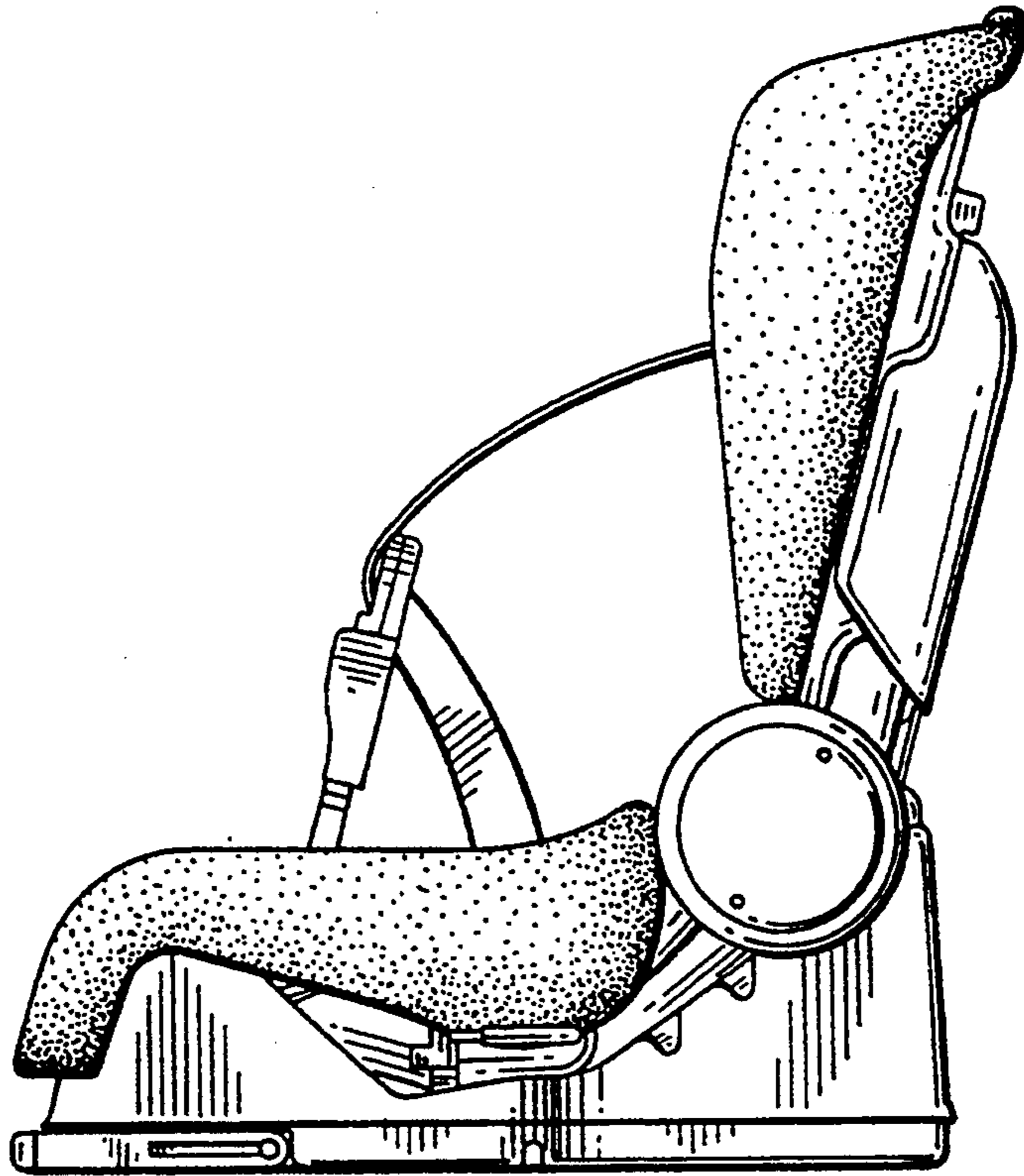


FIG. 5

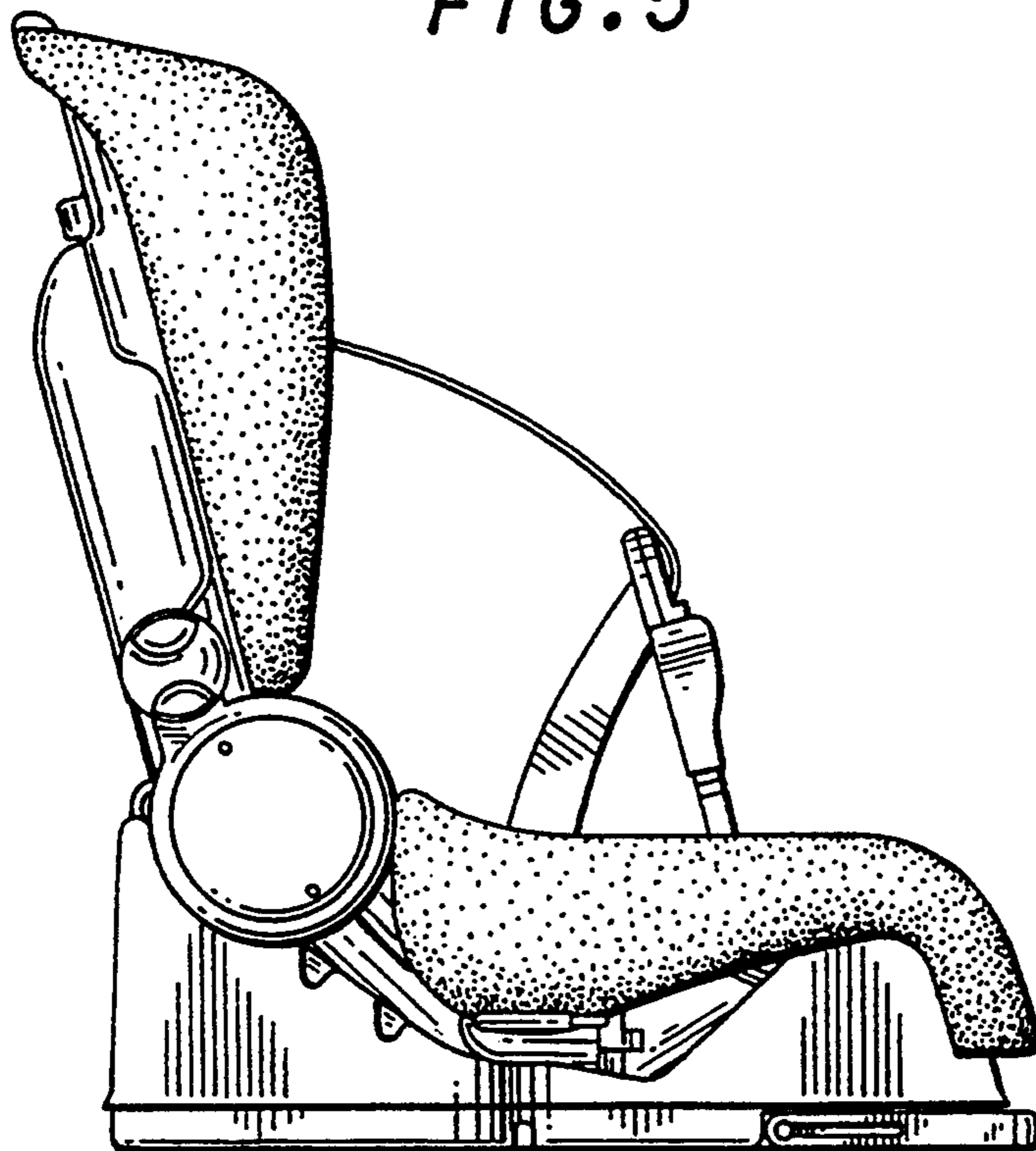


FIG. 6

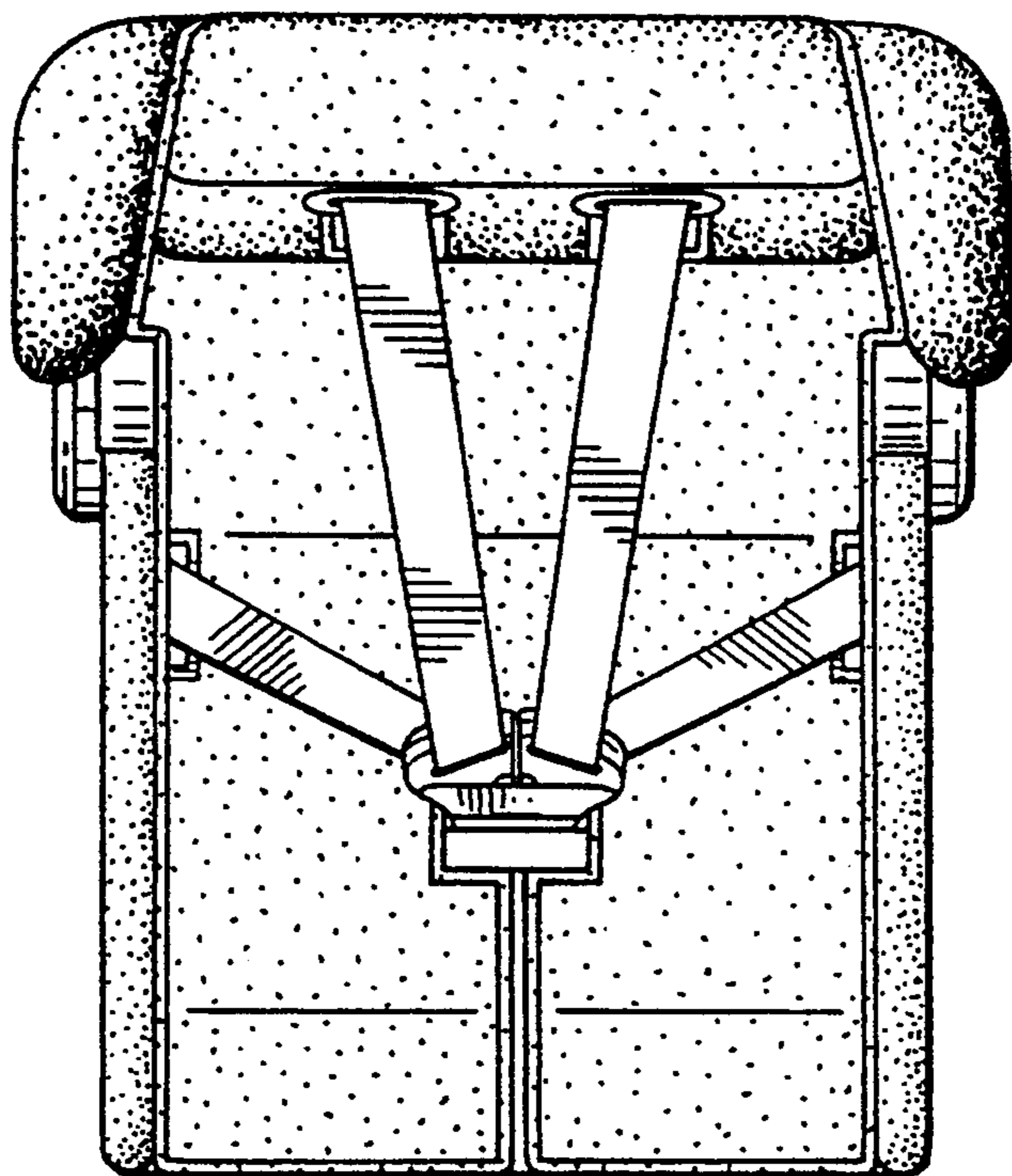
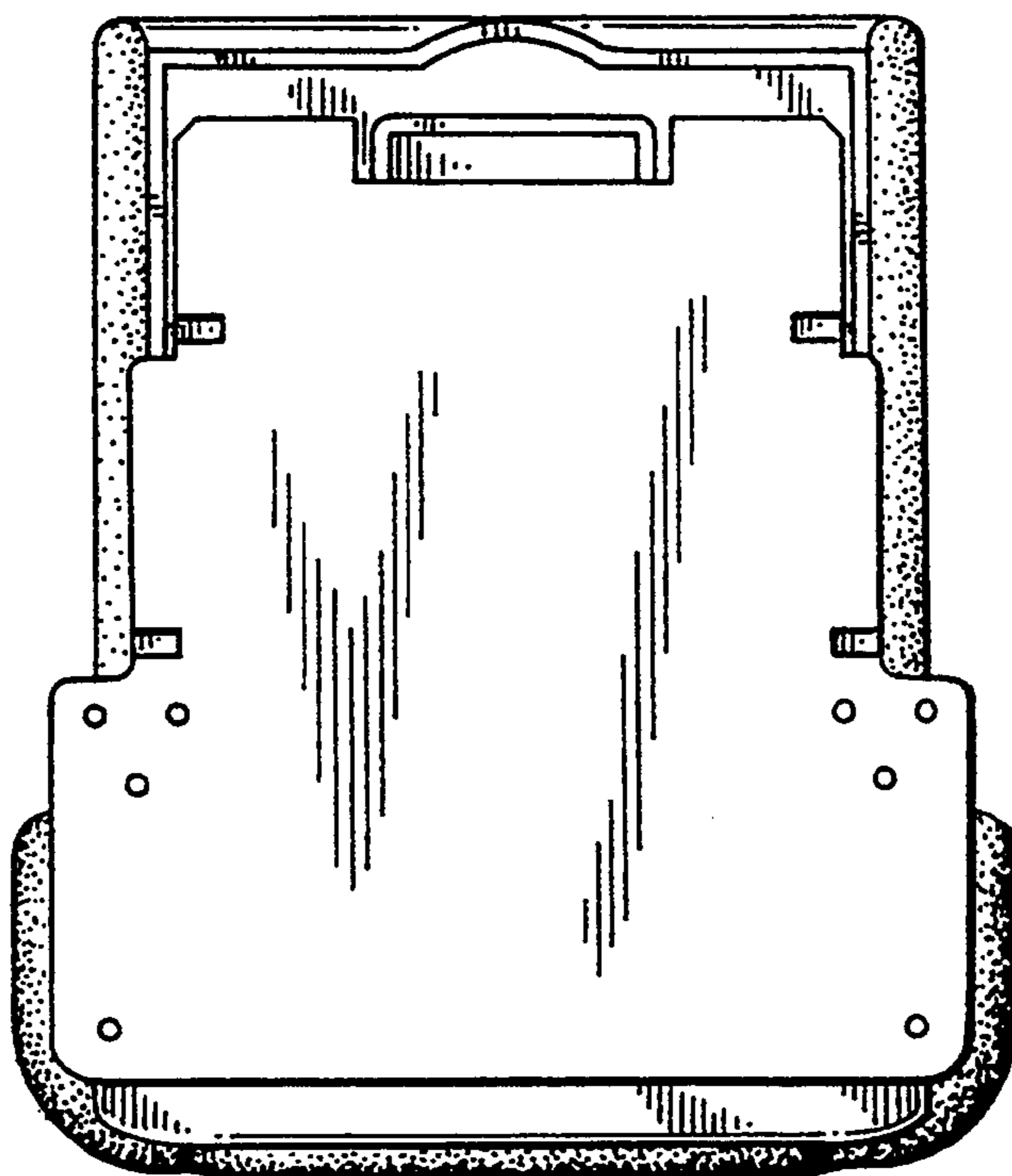
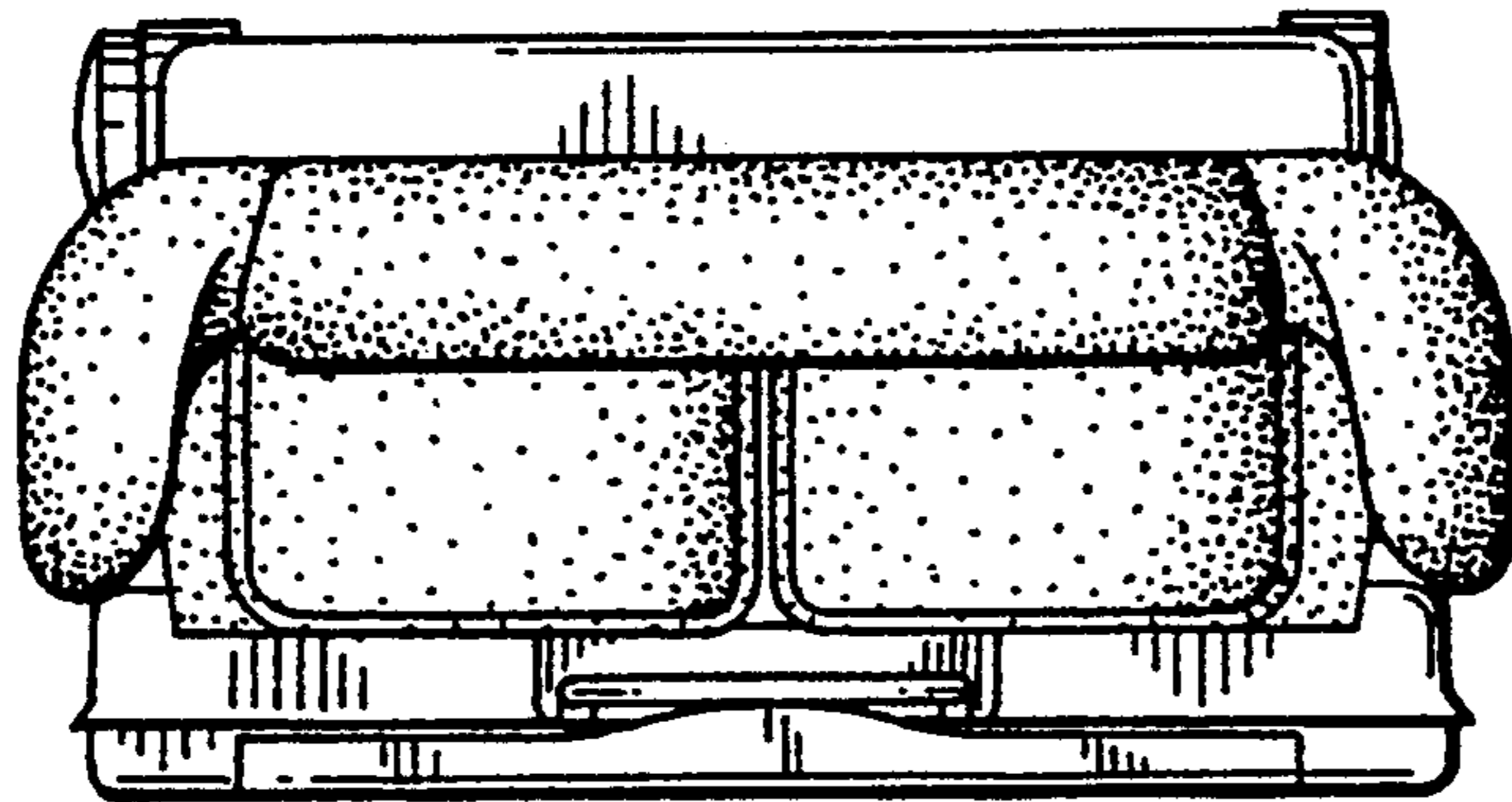


FIG. 7



*FIG. 8*



*FIG. 9*

