



US00D353055S

United States Patent [19]

[11] Patent Number: **Des. 353,055**

Kish et al.

[45] Date of Patent: **** Dec. 6, 1994**

[54] **LANTERN**

[75] Inventors: **Paul A. Kish, Wilkes-Barre Township, Luzerne County, Pa.;
Graham E. Leavy, Montville, N.J.;
Randy S. Cramer, Lebanon, Pa.**

[73] Assignee: **Bright Star Industries, Wilkes-Barre, Pa.**

[**] Term: **14 Years**

[21] Appl. No.: **8,424**

[22] Filed: **May 18, 1993**

[52] U.S. Cl. **D26/48**

[58] Field of Search **362/157, 158, 183, 184,
362/188-203; D26/37-50**

D. 239,557	4/1976	Nicholl	D26/48
D. 275,523	9/1984	Ader	D26/39
D. 284,309	6/1986	Schosser et al.	D26/48
D. 338,975	8/1993	Yuen	D26/48
1,237,191	8/1917	Friend .	
1,666,420	7/1927	Koretzky .	
1,925,115	9/1933	Seiss	240/10.65
2,265,610	12/1941	Morgan	240/10.63
3,252,733	5/1966	Moore et al.	240/10.63
3,329,810	7/1967	Meagher	362/158
4,410,933	10/1983	Blake et al.	362/371

Primary Examiner—Susan J. Lucas
Attorney, Agent, or Firm—Nies, Kurz, Bergert & Tamburro

[57] CLAIM

The ornamental design for a lantern, as shown and described.

[56] References Cited

U.S. PATENT DOCUMENTS

D. 190,760	6/1961	Jones	D48/24
D. 191,991	12/1961	Bessier	D48/24
D. 195,378	6/1963	Monson	D61/1
D. 197,731	3/1964	Ashe	D48/24
D. 199,038	9/1964	Nicholl et al.	D48/24
D. 199,540	11/1964	Rhoades et al.	D48/24
D. 203,517	1/1966	Moore et al.	D48/24

DESCRIPTION

FIG. 1 is a side perspective view of our lantern design;
FIG. 2 is a top plan view thereof;
FIG. 3 is a side elevational thereof, the opposite side being a mirror image thereof;
FIG. 4 is a bottom plan view thereof;
FIG. 5 is a rear elevational thereof; and,
FIG. 6 is a front elevational view thereof.

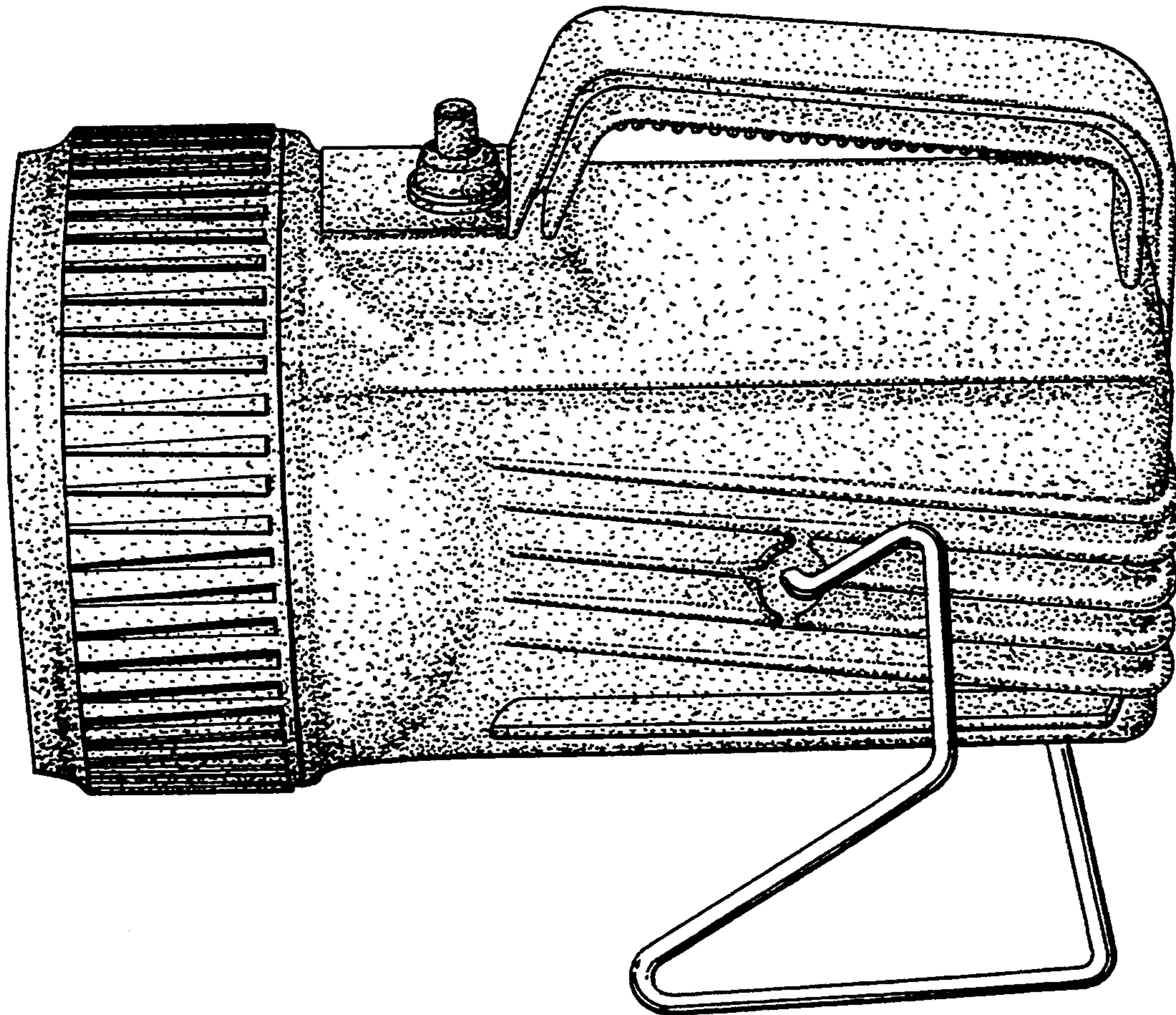


Fig. 1

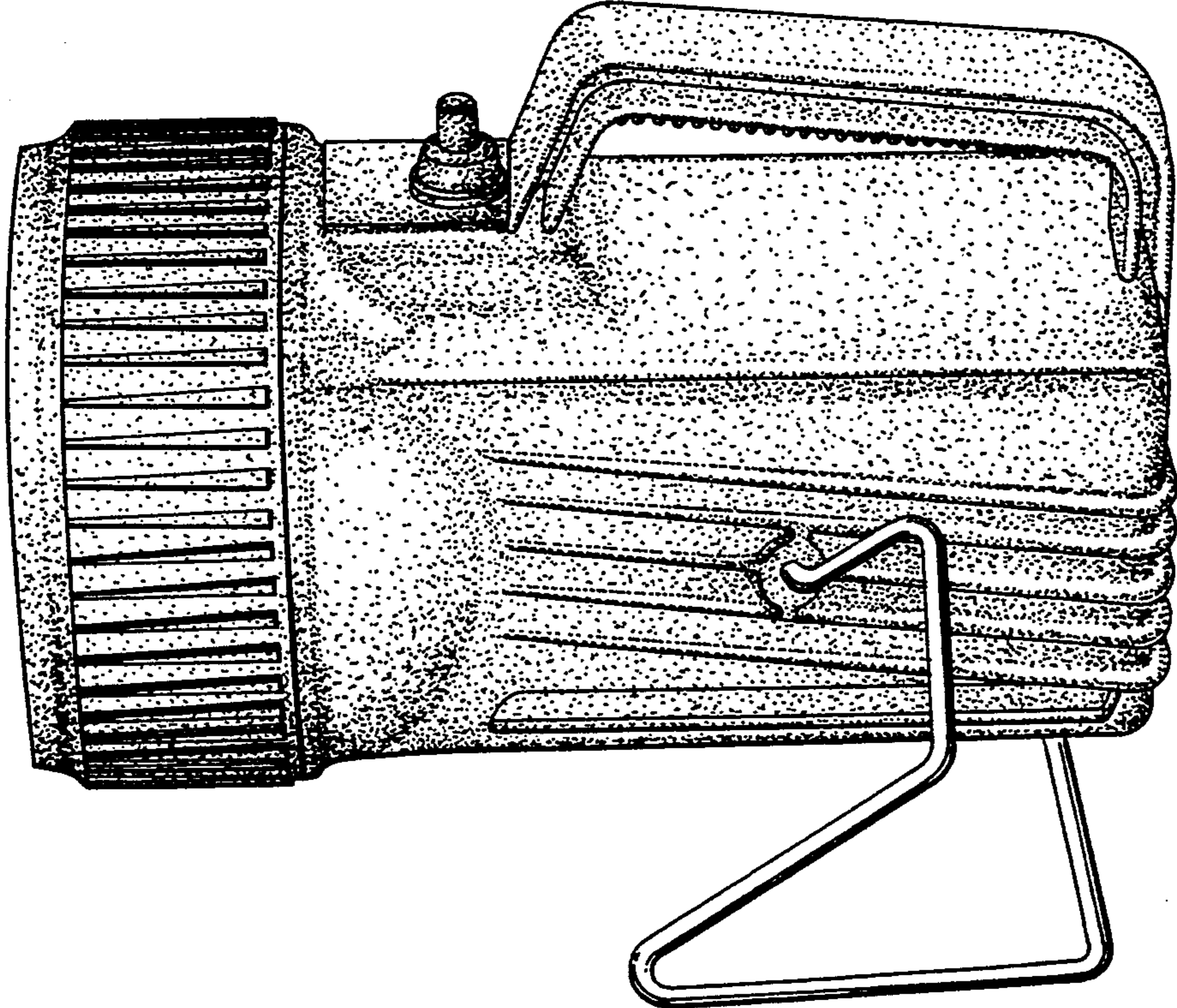


Fig. 2

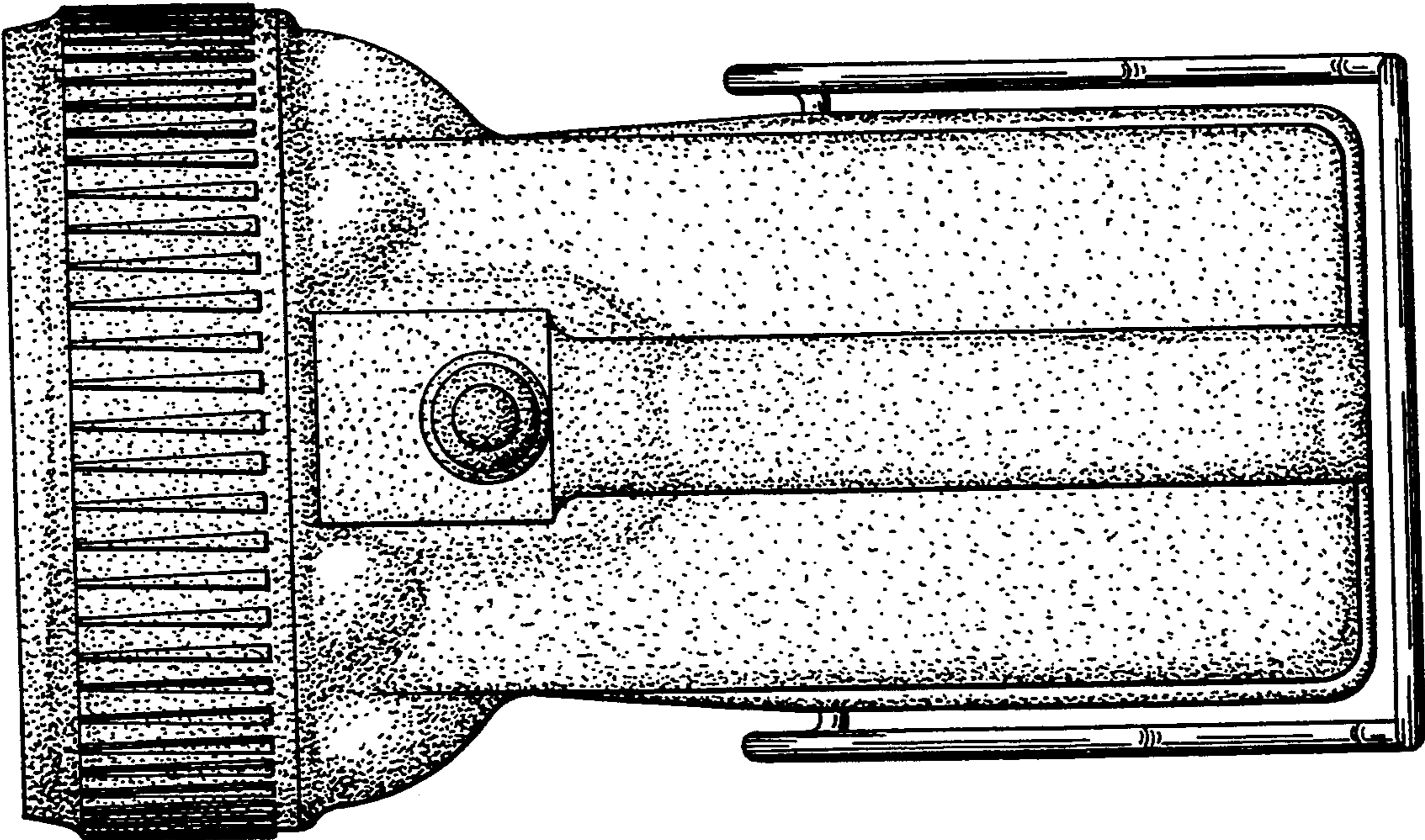


Fig. 3

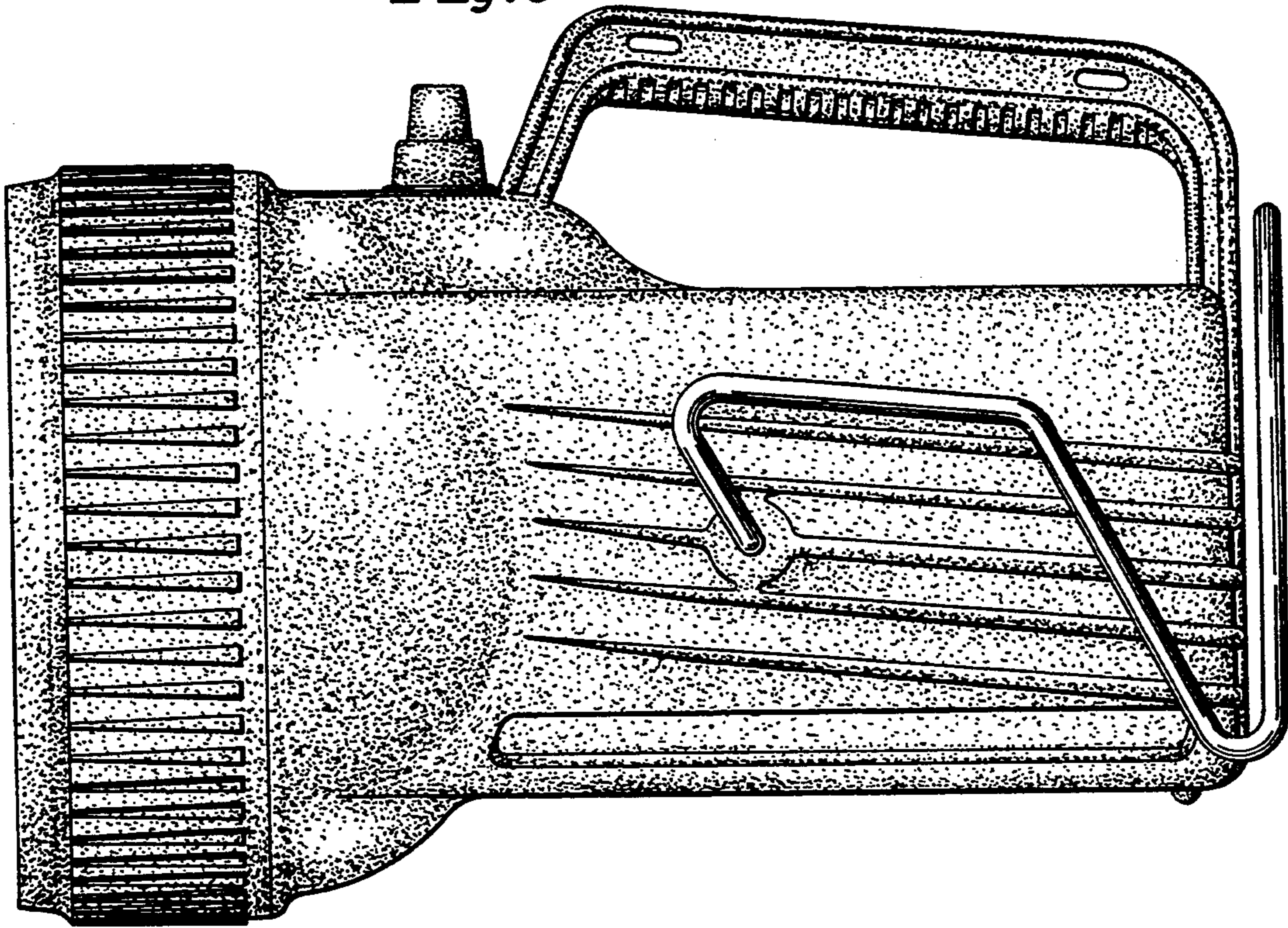


Fig. 4

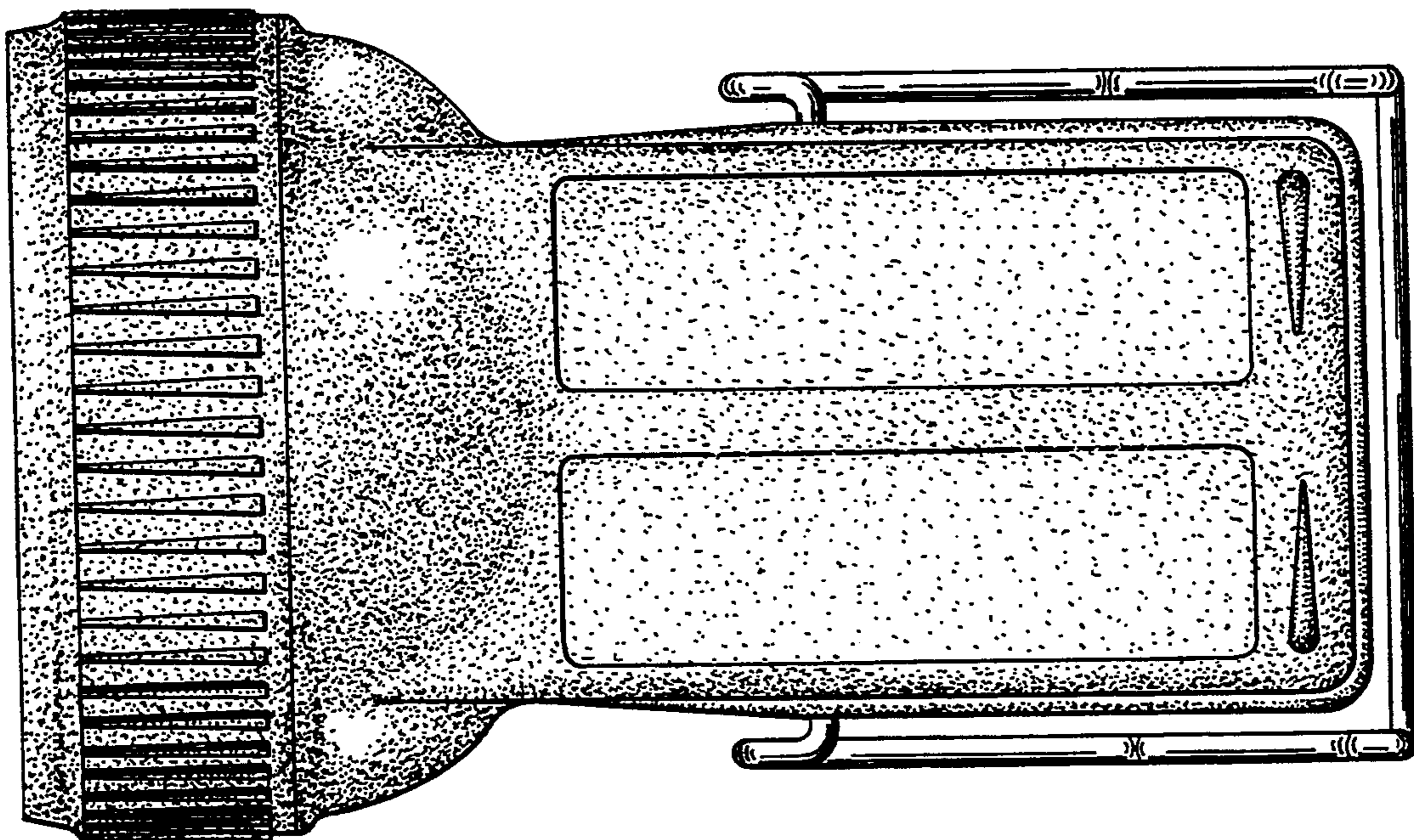


Fig. 5

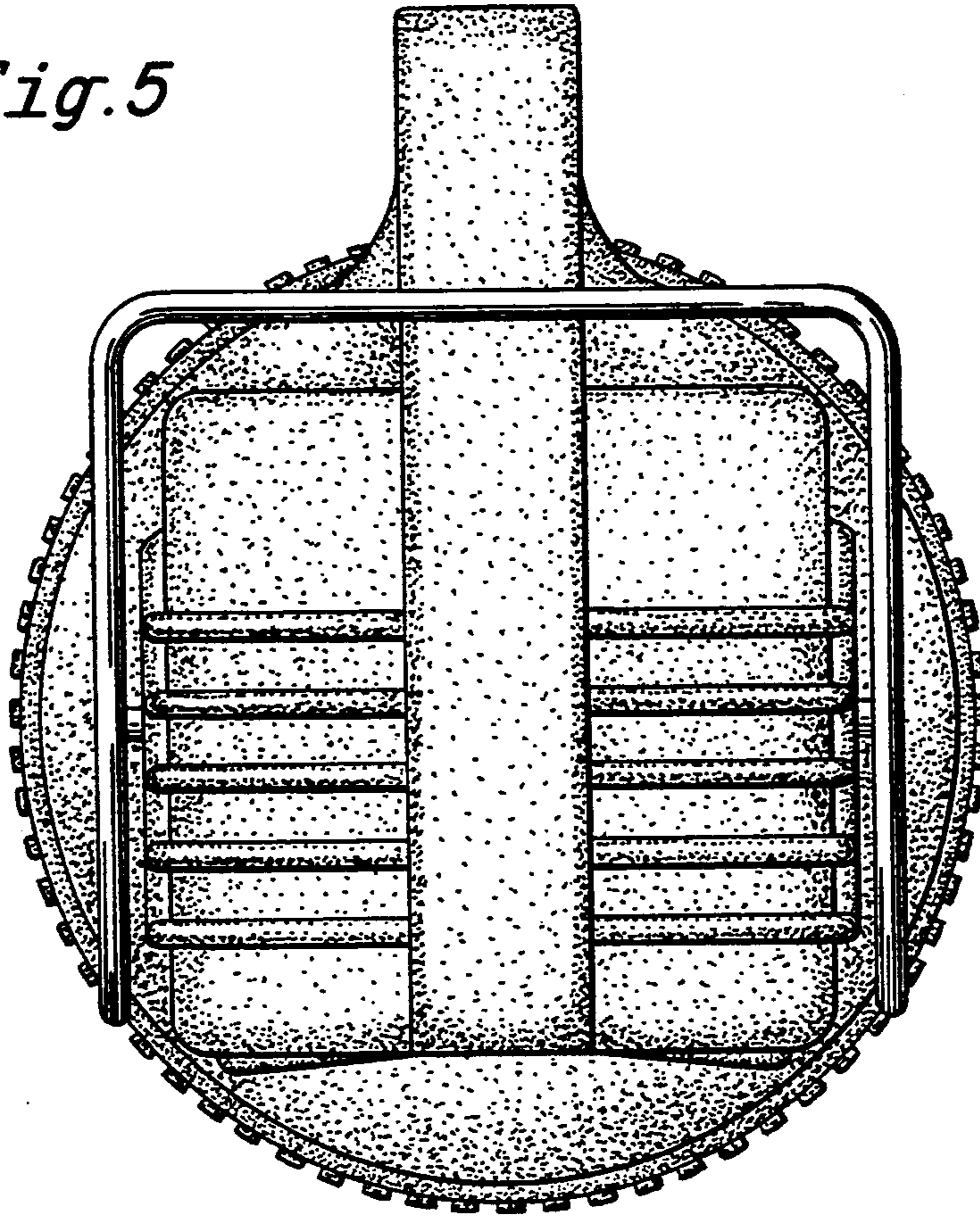


Fig. 6

