



US00D353051S

United States Patent [19]

[11] Patent Number: Des. 353,051

Lonon

[45] Date of Patent: ** Dec. 6, 1994

[54] COMBINED TOOTHBRUSH AND TOOTHPASTE CONTAINER

[76] Inventor: Edward M. Lonon, 155 Sanford St., East Orange, N.J. 07018

[**] Term: 14 Years

[21] Appl. No.: 786,977

[22] Filed: Nov. 4, 1991

[52] U.S. Cl. D4/108; D4/114

[58] Field of Search D4/104-112, D4/114, 134, 138; 15/143.1, 159.1, 160, 162.1-162.2; 401/123, 132, 135, 171, 175-176, 268

[56] **References Cited**

U.S. PATENT DOCUMENTS

1,003,159	9/1911	Stewart	401/123
2,306,482	12/1942	Livingston	15/167.1
2,308,078	1/1943	Hendrickson	401/286 X
3,879,139	4/1975	Dahl et al.	401/135

Primary Examiner—Wallace R. Burke

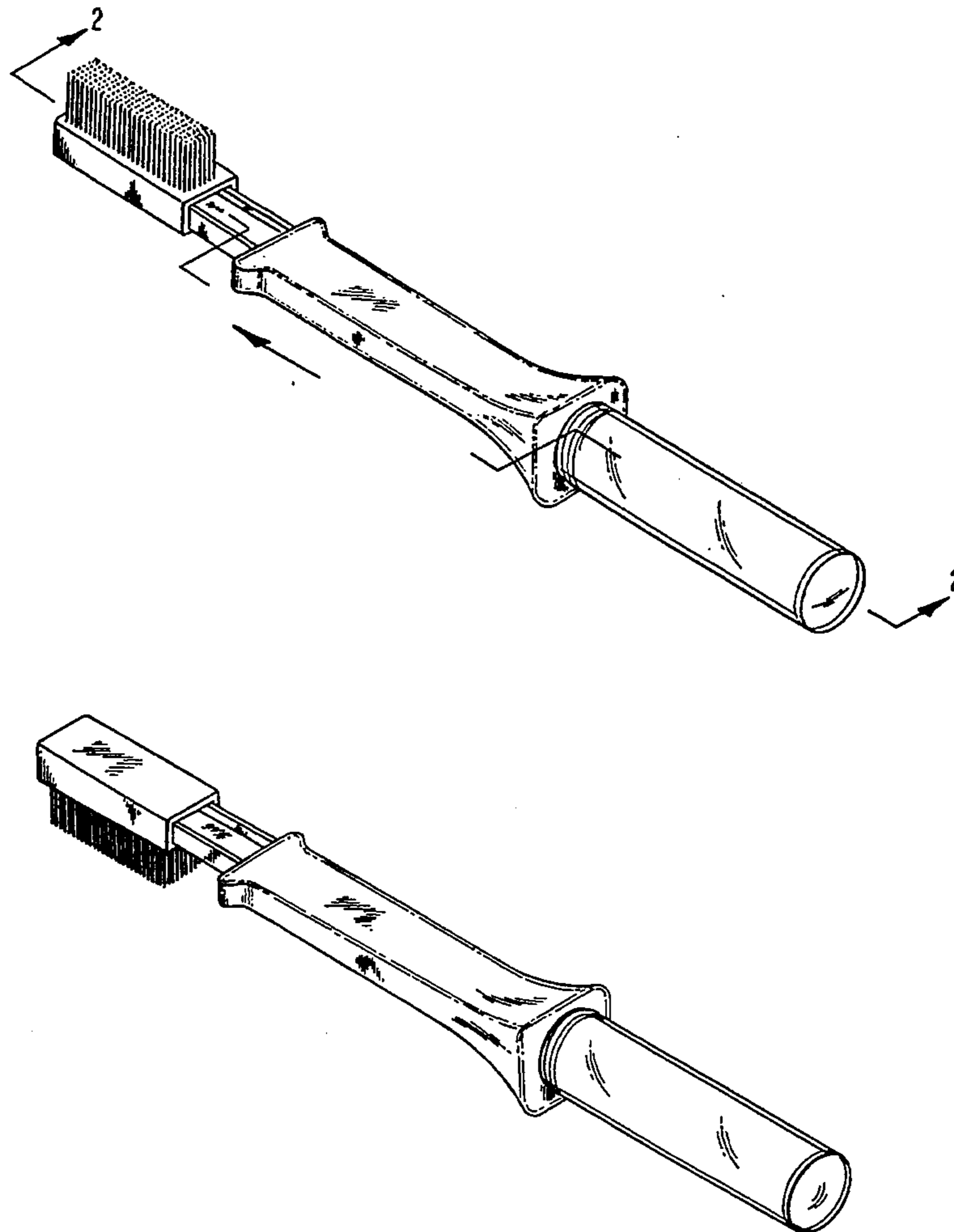
Assistant Examiner—Lavone D. Tabor
Attorney, Agent, or Firm—Mathews, Woodbridge & Collins

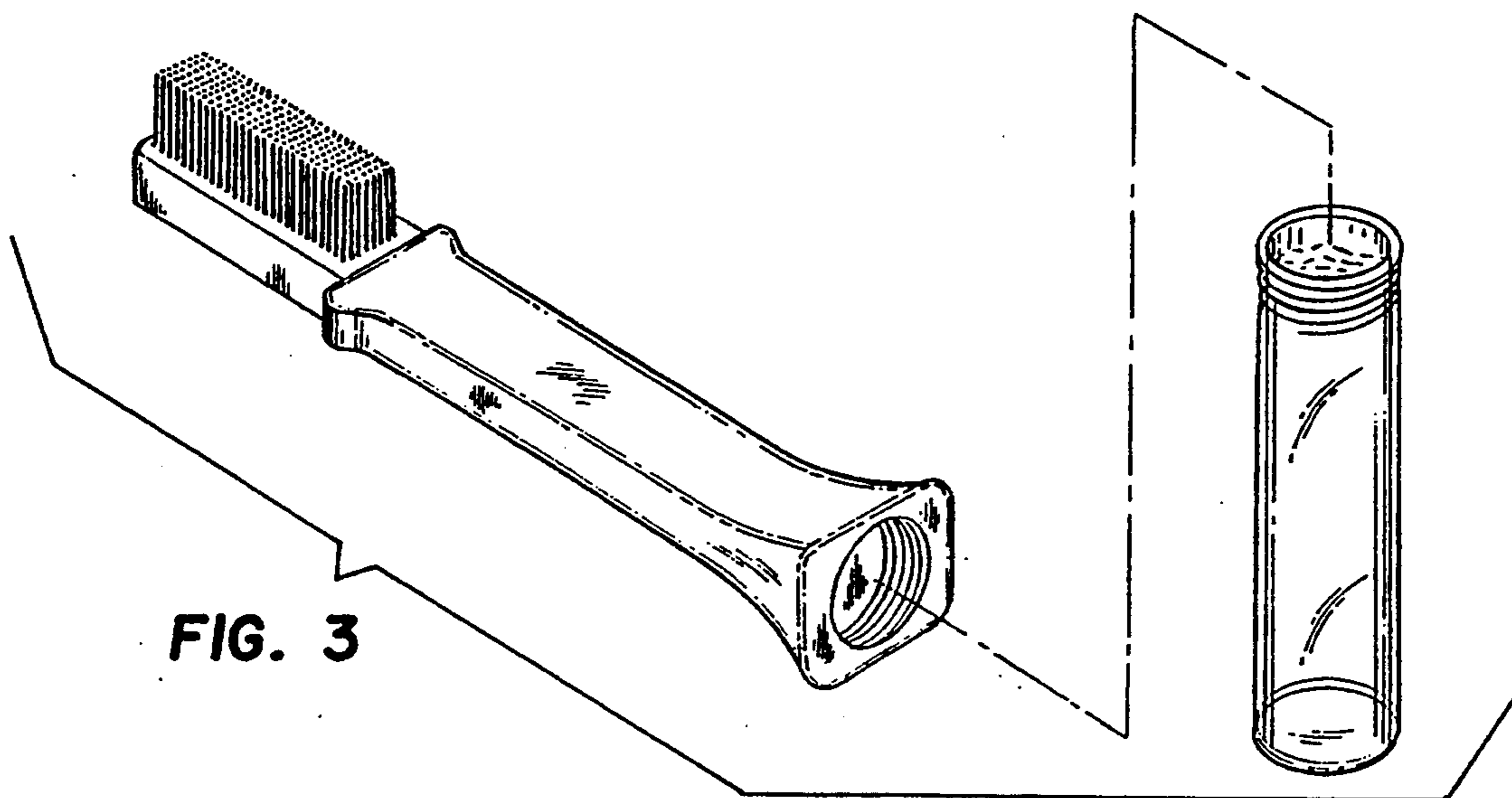
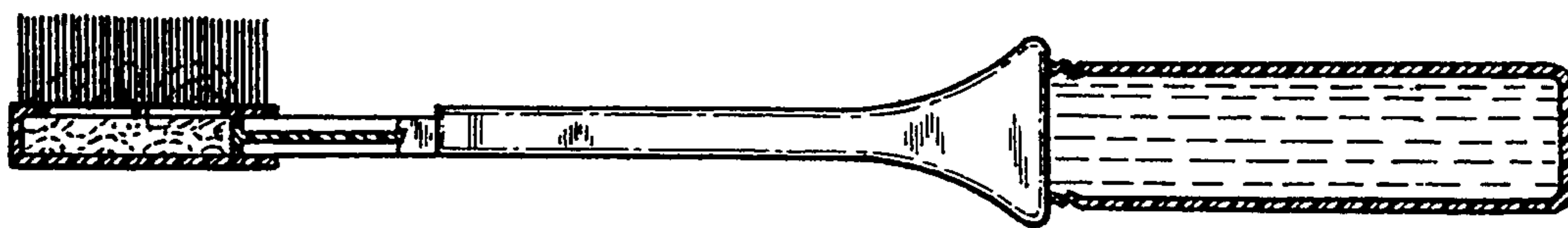
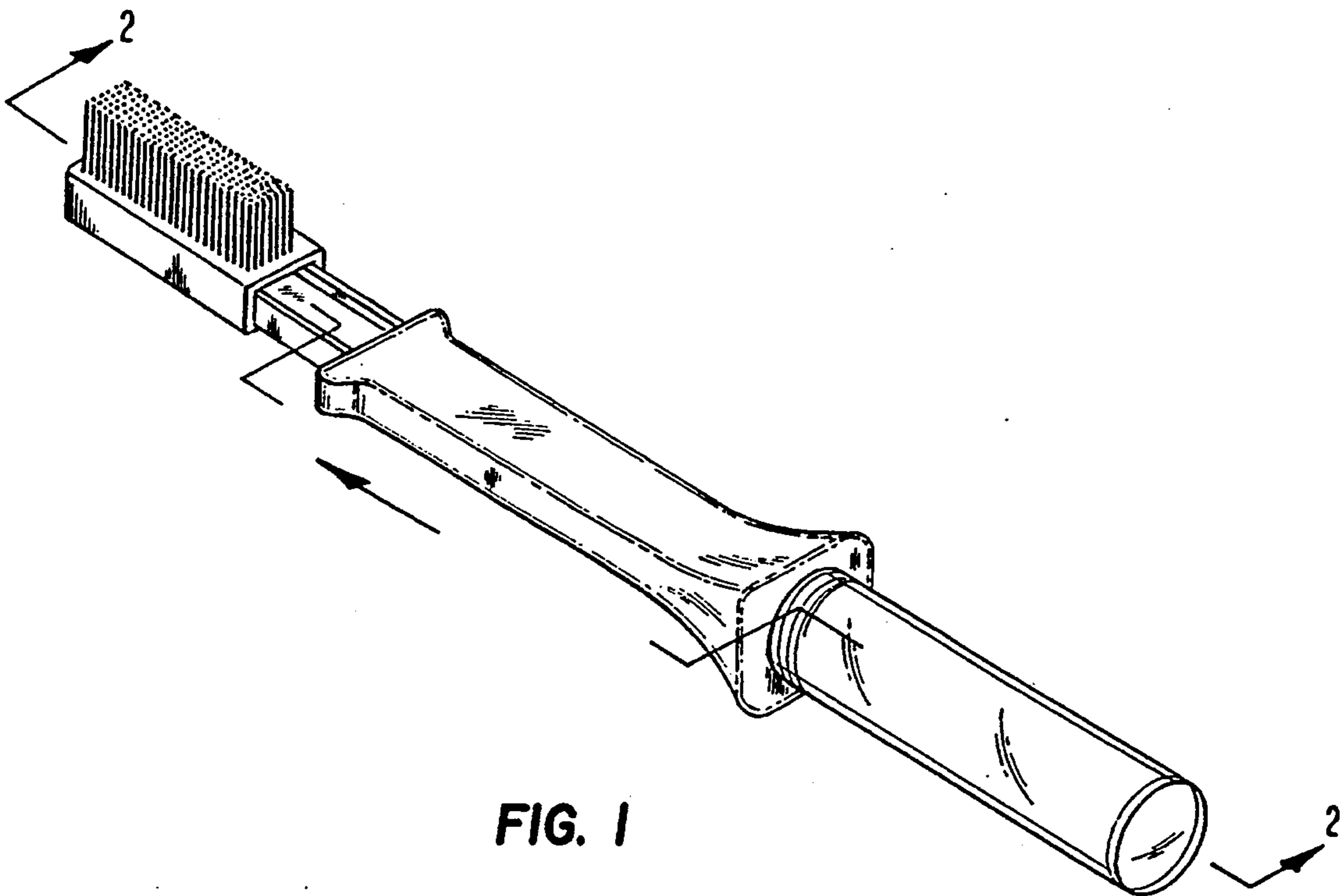
[57] **CLAIM**

The ornamental design for a combined toothbrush and toothpaste container, as shown and described.

DESCRIPTION

FIG. 1 is a top perspective view of a combined toothbrush and toothpaste container showing my new design;
 FIG. 2 is a sectional view taken along line 2—2 of FIG. 1;
 FIG. 3 is an exploded perspective view with the neck and handle being shown in alternate positions;
 FIG. 4 is a bottom perspective view of FIG. 1;
 FIG. 5 is an end elevational view as seen from the left of FIG. 1; and,
 FIG. 6 is a right end elevational view thereof.
 The broken line showing of toothpaste in FIGS. 2 and 3 is for illustrative purposes only and forms no part of the claimed design.





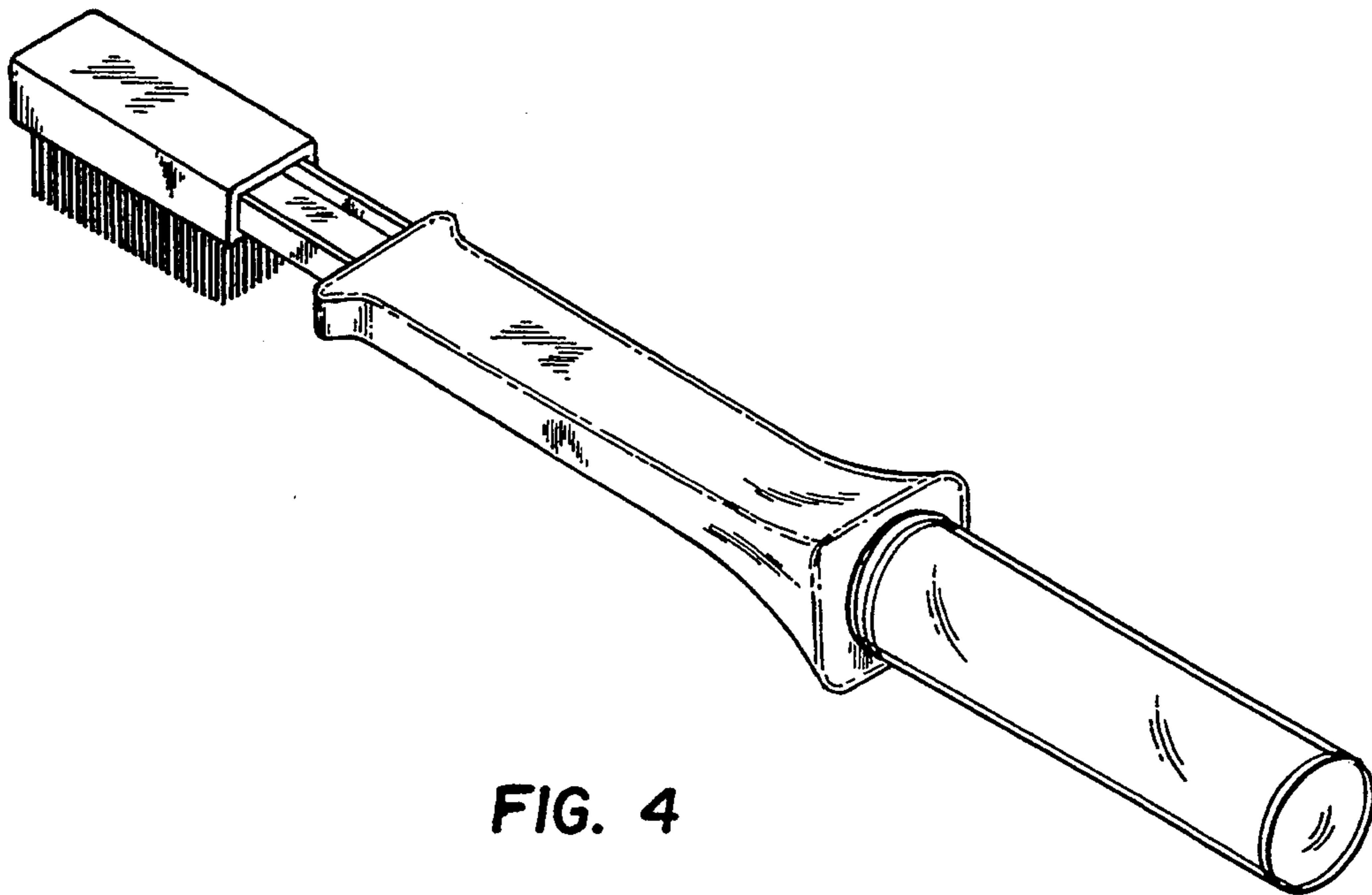


FIG. 4

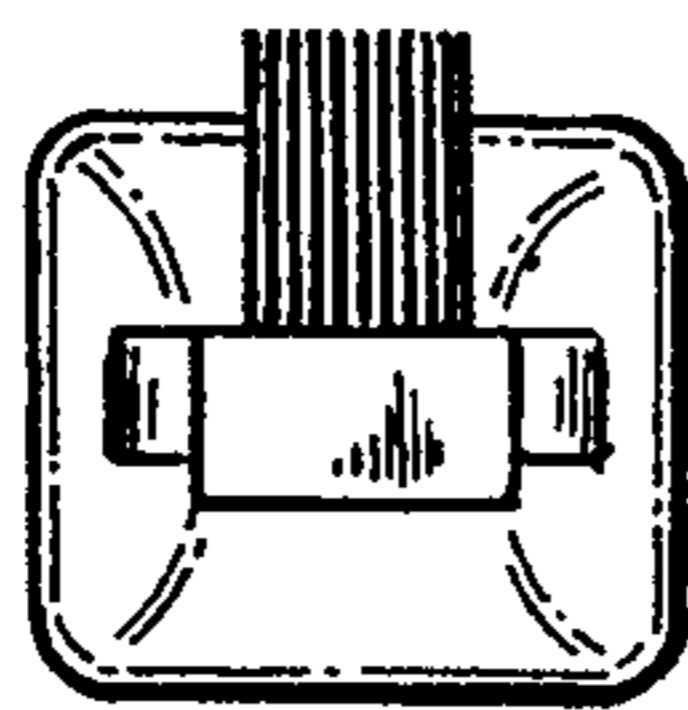


FIG. 5

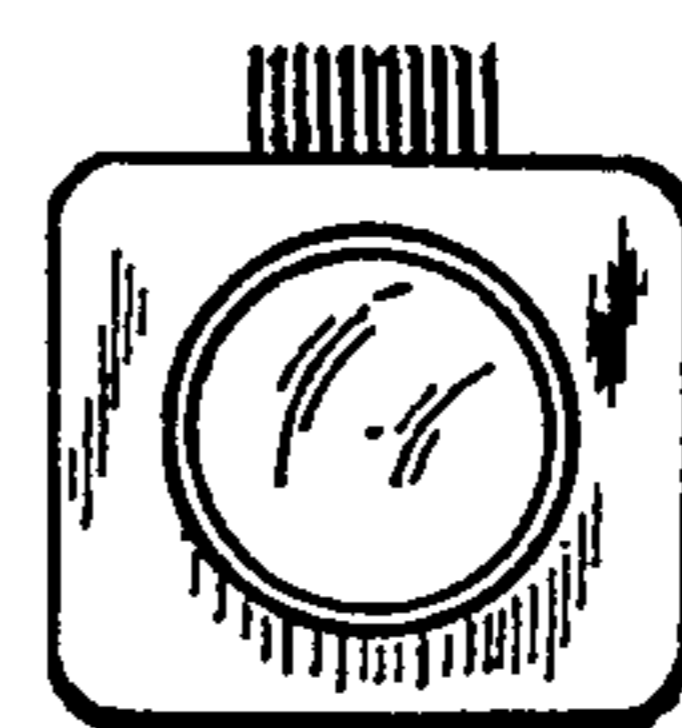


FIG. 6

UNITED STATES PATENT AND TRADEMARK OFFICE
CERTIFICATE OF CORRECTION

PATENT NO. : Des. 353,051
DATED : December 6, 1994
INVENTOR(S) : Edward M. Lonon

Page 1 of 2

It is certified that error appears in the above-identified patent and that said Letters Patent is hereby corrected as shown below:

In the Title:
delete "COMBINED TOOTHBRUSH AND TOOTHPASTE CONTAINER" and
replace it with -- COMBINED TOOTHBRUSH AND LIQUID CONTAINER --

In the Claim:
Please delete "the ornamental design for a combined
toothbrush and toothpaste container, as shown and described"
and replace it with -- the ornamental design for a combined
toothbrush and liquid container, as shown and described -- .

In the "DESCRIPTION" please delete the following:
"Fig. 1 is a top perspective view of a combined toothbrush
and toothpaste container showing my new design"; and insert
instead

-- Fig. 1 is a top perspective view of a combined tooth-
brush and liquid container showing my new design; --

UNITED STATES PATENT AND TRADEMARK OFFICE
CERTIFICATE OF CORRECTION

PATENT NO. : Des. 353,051
DATED : December 6, 1994
INVENTOR(S) : Edward M. Lonon

Page 2 of 2

It is certified that error appears in the above-identified patent and that said Letters Patent is hereby corrected as shown below:

In the "DESCRIPTION" please delete the last line which reads as follows:

"The broken line showing of toothpaste in Figs. 2 and 3 is for illustrative purposes only and forms no part of the claimed design" and insert instead

-- The broken line showing of liquid in Figs. 2 and 3 is for illustrative purposes only and forms no part of the claimed design -- .

Signed and Sealed this
Ninth Day of April, 1996



BRUCE LEHMAN

Commissioner of Patents and Trademarks

Attest:

Attesting Officer