



US00D353049S

# United States Patent [19]

[11] Patent Number: **Des. 353,049**

**Schmidt**

[45] Date of Patent: **\*\* Dec. 6, 1994**

[54] **TOOL BOX**

2,628,752 2/1953 Corkish ..... 312/902 X  
4,717,020 1/1988 Viira ..... 206/372

[75] Inventor: **Heinz W. Schmidt**, Cowies Hill,  
South Africa

**FOREIGN PATENT DOCUMENTS**

[73] Assignee: **H W Schmidt Industrials (Pty) Limited**, Natal, South Africa

761773 1/1934 France ..... 312/DIG. 33  
1076887 11/1954 France ..... 312/DIG. 33

[\*\*] Term: **14 Years**

*Primary Examiner*—Bernard Ansher  
*Assistant Examiner*—Paula Mortimer  
*Attorney, Agent, or Firm*—Young & Thompson

[21] Appl. No.: **871,624**

[22] Filed: **Apr. 20, 1992**

[57] **CLAIM**

[30] **Foreign Application Priority Data**

The ornamental design for a tool box, as shown and described.

Oct. 24, 1991 [ZA] South Africa ..... 91/0902  
Oct. 24, 1991 [ZA] South Africa ..... 91/0903  
Oct. 24, 1991 [ZA] South Africa ..... 91-0904  
Oct. 24, 1991 [ZA] South Africa ..... 91/0905

**DESCRIPTION**

[52] U.S. Cl. .... **D3/283; D3/905**

FIG. 1 is a front perspective view of a tool box showing my new design, the rear is a mirror image, the bottom is plane and unornamented;

[58] Field of Search ..... D3/72, 74, 75, 78;  
312/902, 244, DIG. 33; 206/338, 372, 373;  
D6/432; D7/626; 190/18 A, 11, 901, 107

FIG. 2 is a perspective view of the tool box of FIG. 1 in its open position;

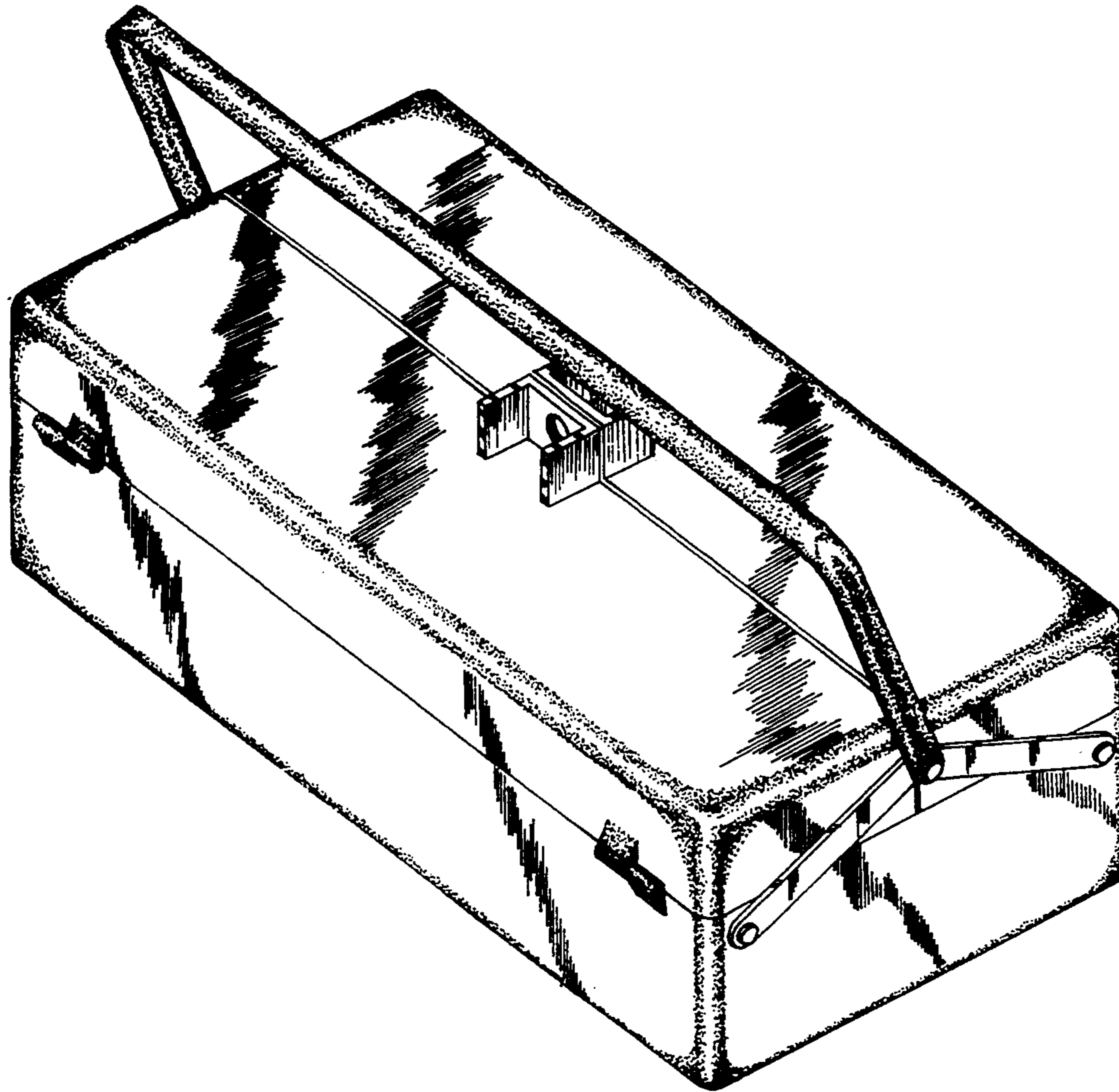
[56] **References Cited**

**U.S. PATENT DOCUMENTS**

D. 151,281 10/1948 Meyer ..... D3/74  
2,044,661 6/1936 Bentz ..... 312/902 X  
2,347,270 4/1944 Larsson ..... 312/902 X

FIG. 3 is a front perspective view of a second embodiment showing my new design, the difference being the additional tray and the configuration of the links, the rear is a mirror image, the bottom is plan and unornamented; and,

FIG. 4 is a perspective view of the tool box of FIG. 3 in its open position.



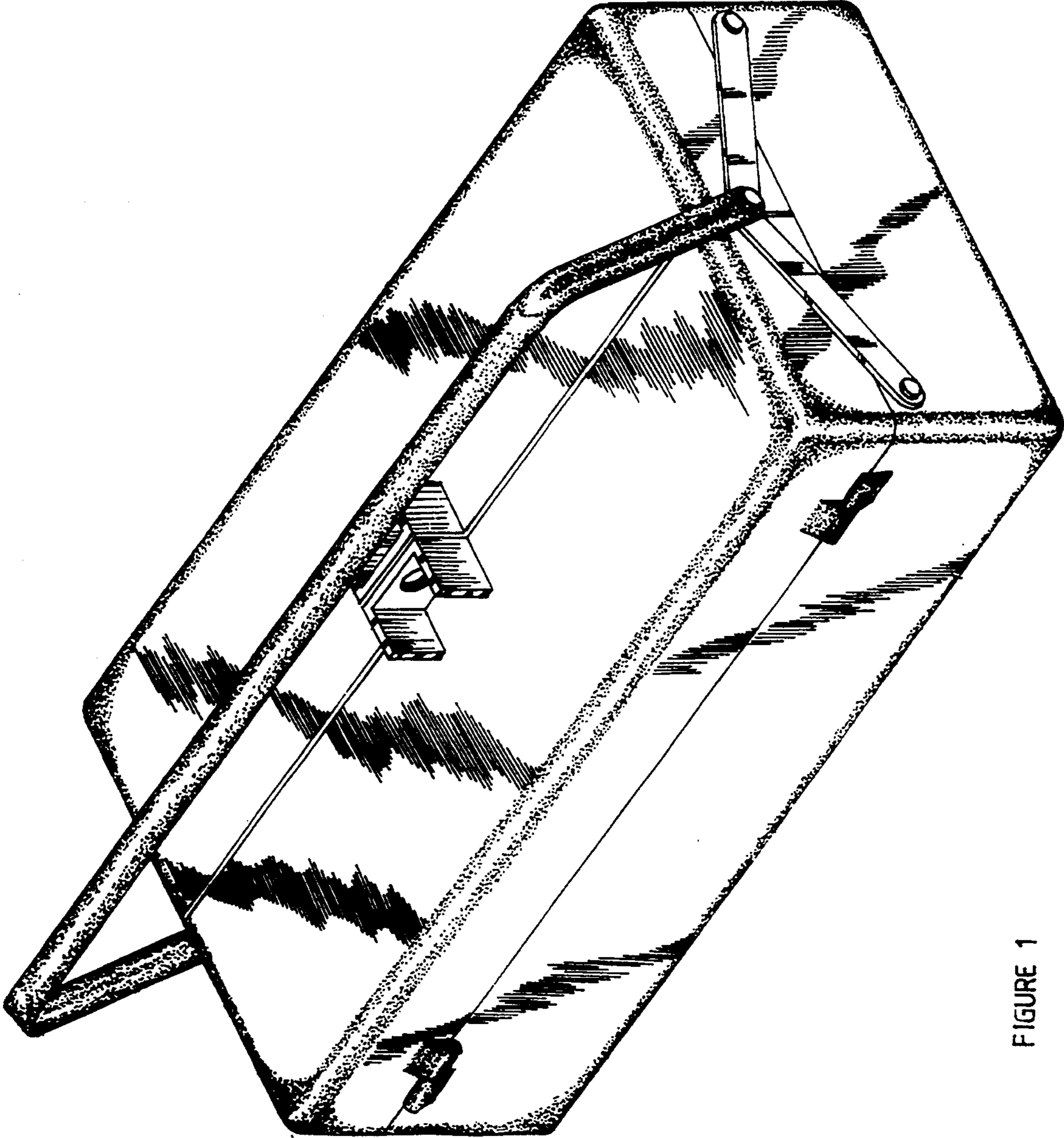


FIGURE 1

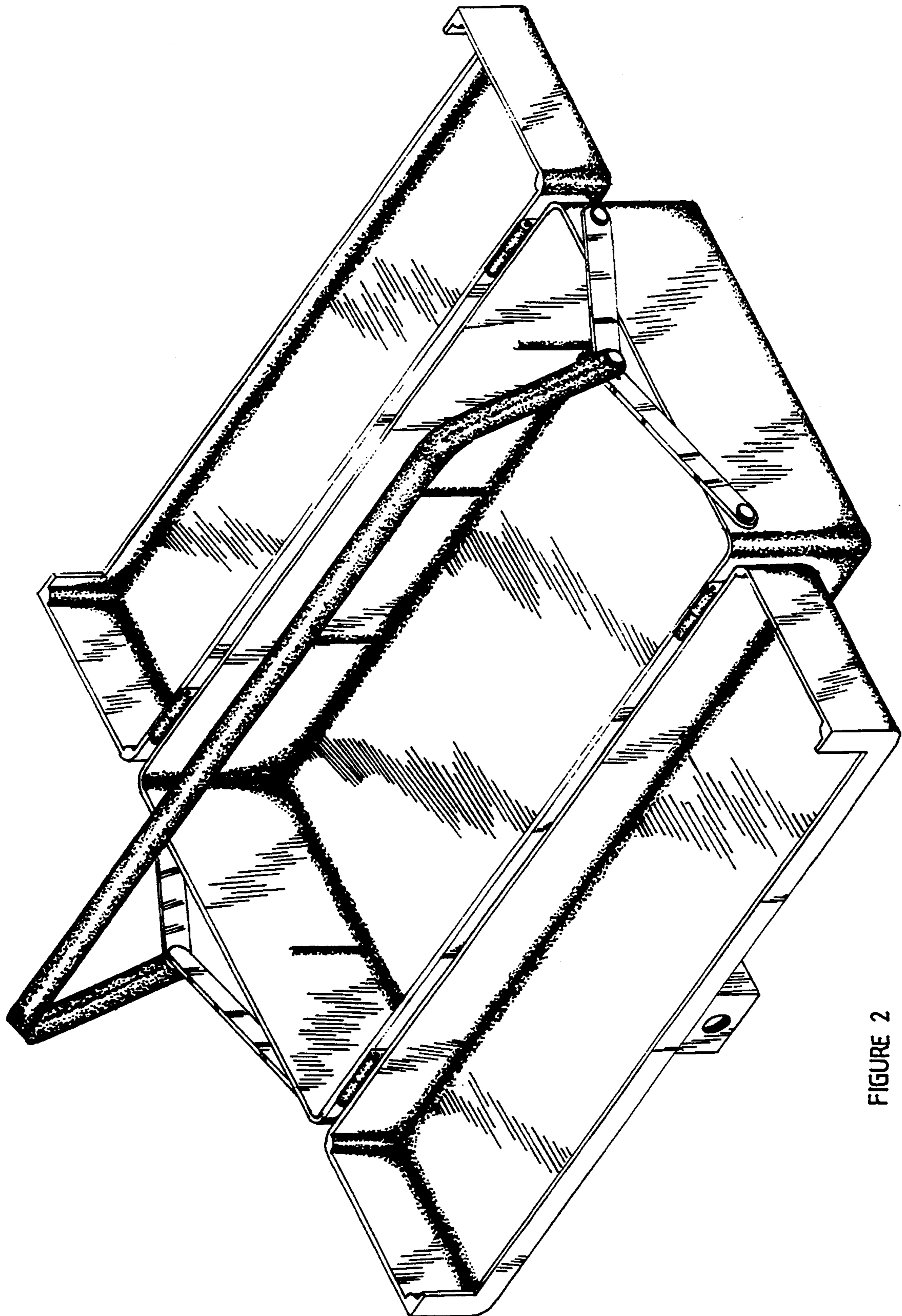


FIGURE 2

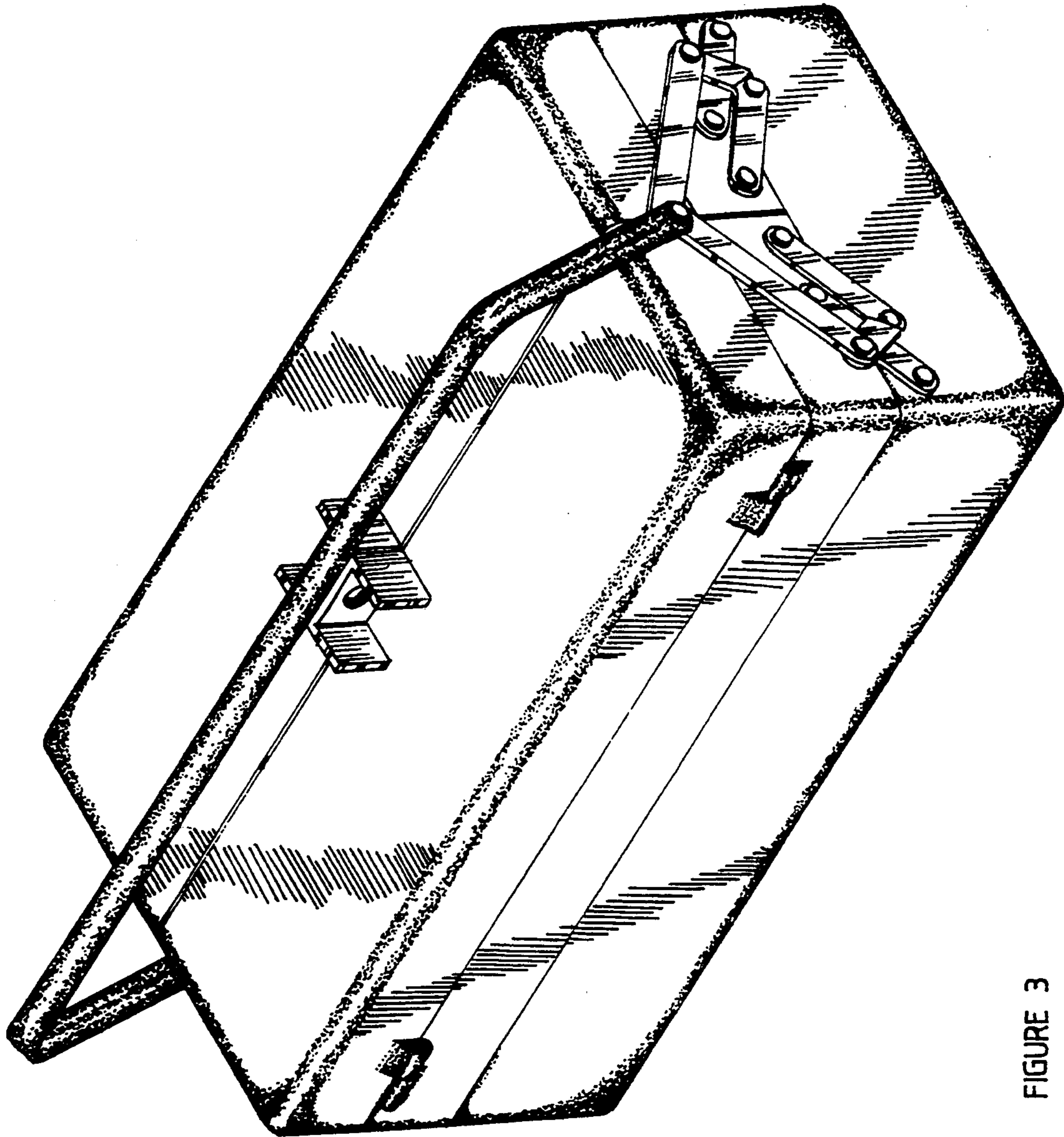


FIGURE 3

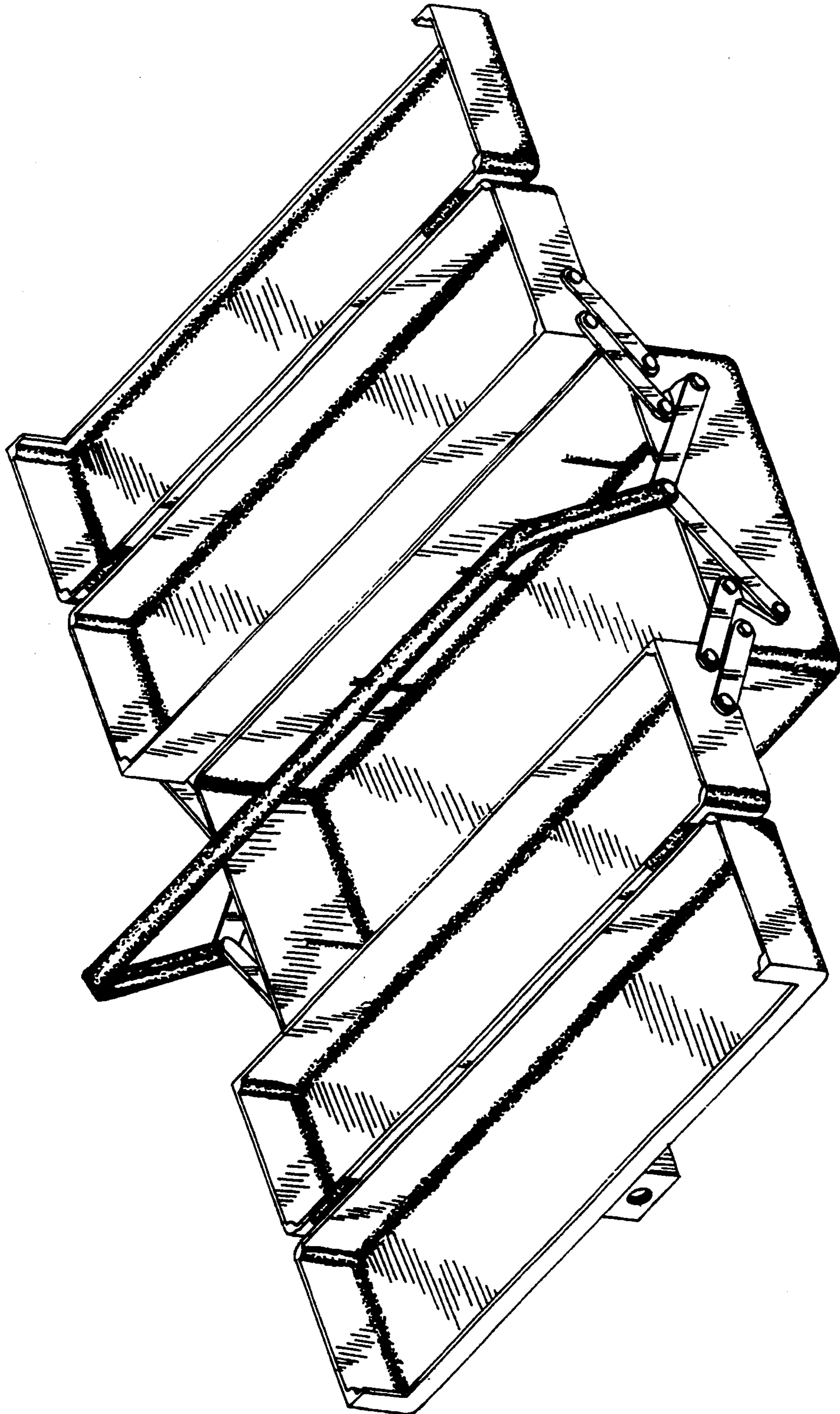


FIGURE 4