



US00D353048S

United States Patent [19]

VanSkiver et al.

[11] Patent Number: **Des. 353,048**

[45] Date of Patent: **** Dec. 6, 1994**

[54] STORAGE CASE

[75] Inventors: **Ralph VanSkiver; Thomas B. Murphy**, both of Arlington, Tex.

[73] Assignee: **Doskocil Manufacturing Company, Inc.**, Arlington, Tex.

[**] Term: **14 Years**

[21] Appl. No.: **12,765**

[22] Filed: **Sep. 9, 1993**

[52] U.S. Cl. **D3/276; D3/273; D3/292**

[58] Field of Search **D3/273, 276, 294, 292; D7/709, 710; 190/100, 115, 900**

[56] **References Cited**

U.S. PATENT DOCUMENTS

D. 298,486 11/1988 Jain **D3/292**

D. 331,663 12/1992 Roncato **D3/292**
D. 332,699 1/1993 Schurman **D3/292**
D. 339,232 9/1993 Chen **D3/292**

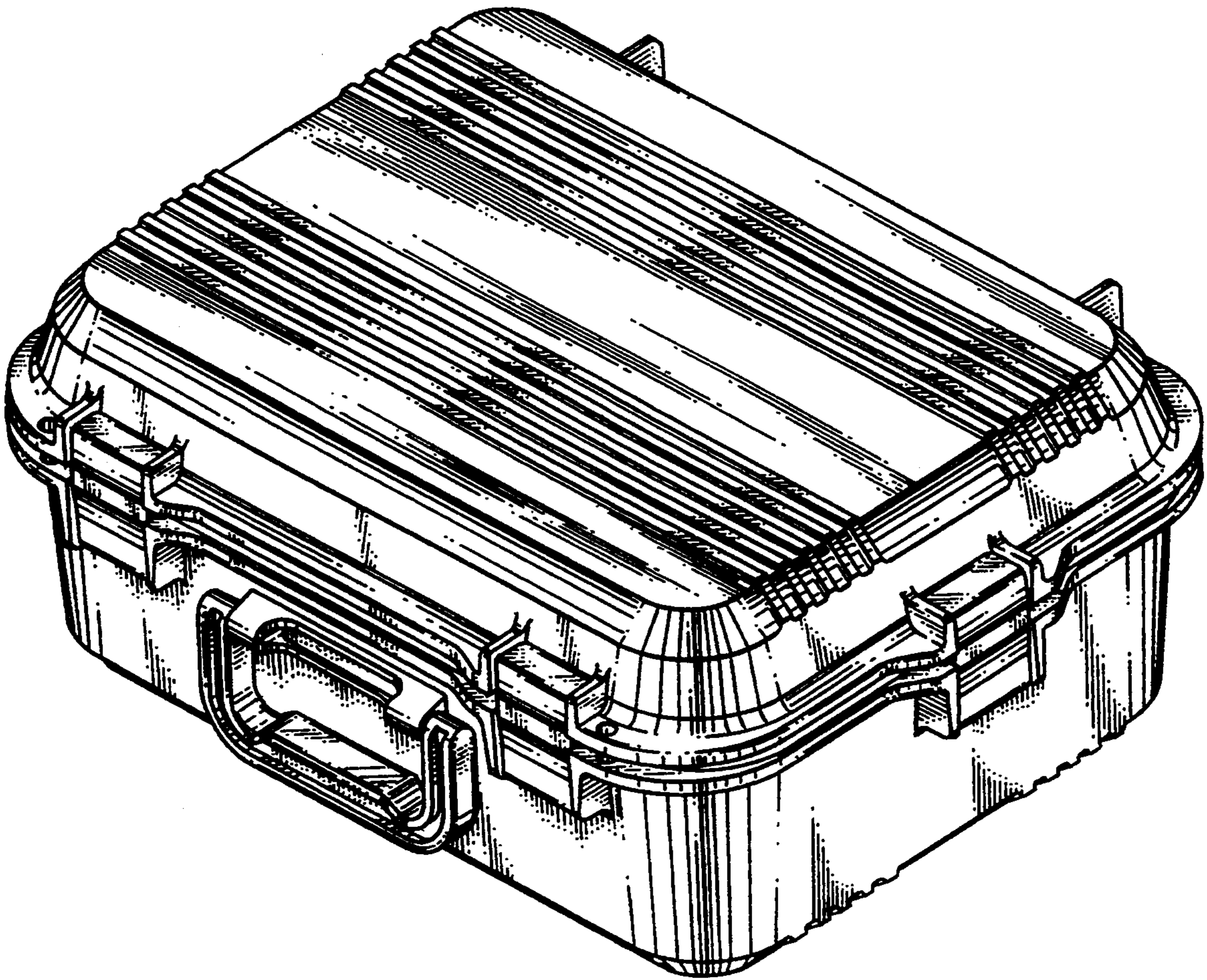
Primary Examiner—Bernard Ansher
Assistant Examiner—Dominic Simone
Attorney, Agent, or Firm—Andrew J. Dillon

[57] CLAIM

The ornamental design for a storage case, as shown and described.

DESCRIPTION

FIG. 1 is a perspective view of a storage case showing my new design;
FIG. 2 is a top plan view thereof;
FIG. 3 is a right side elevational view thereof;
FIG. 4 is a front elevational view thereof;
FIG. 5 is a left side elevational view thereof;
FIG. 6 is a rear elevational view thereof; and,
FIG. 7 is a bottom plan view thereof.



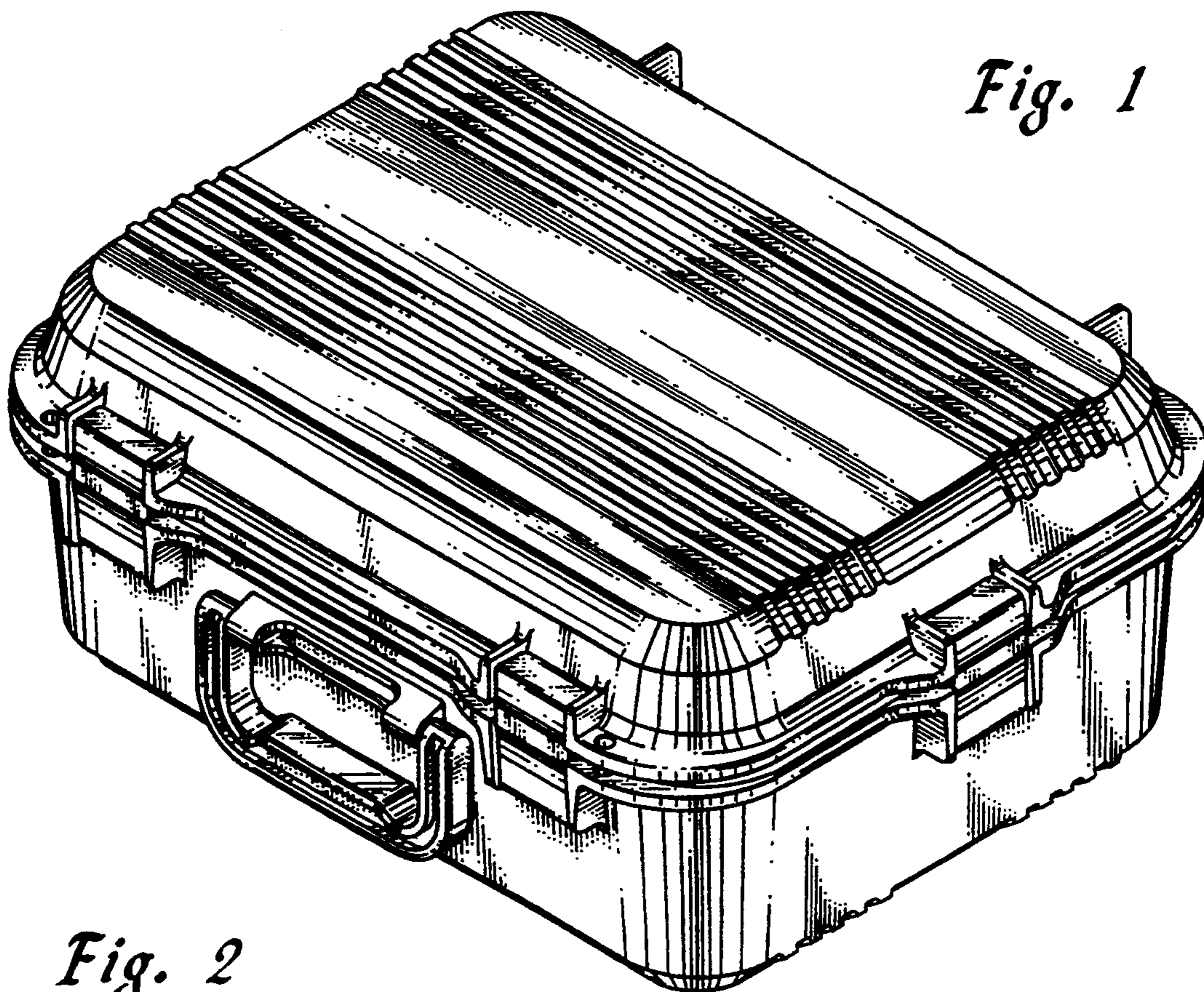
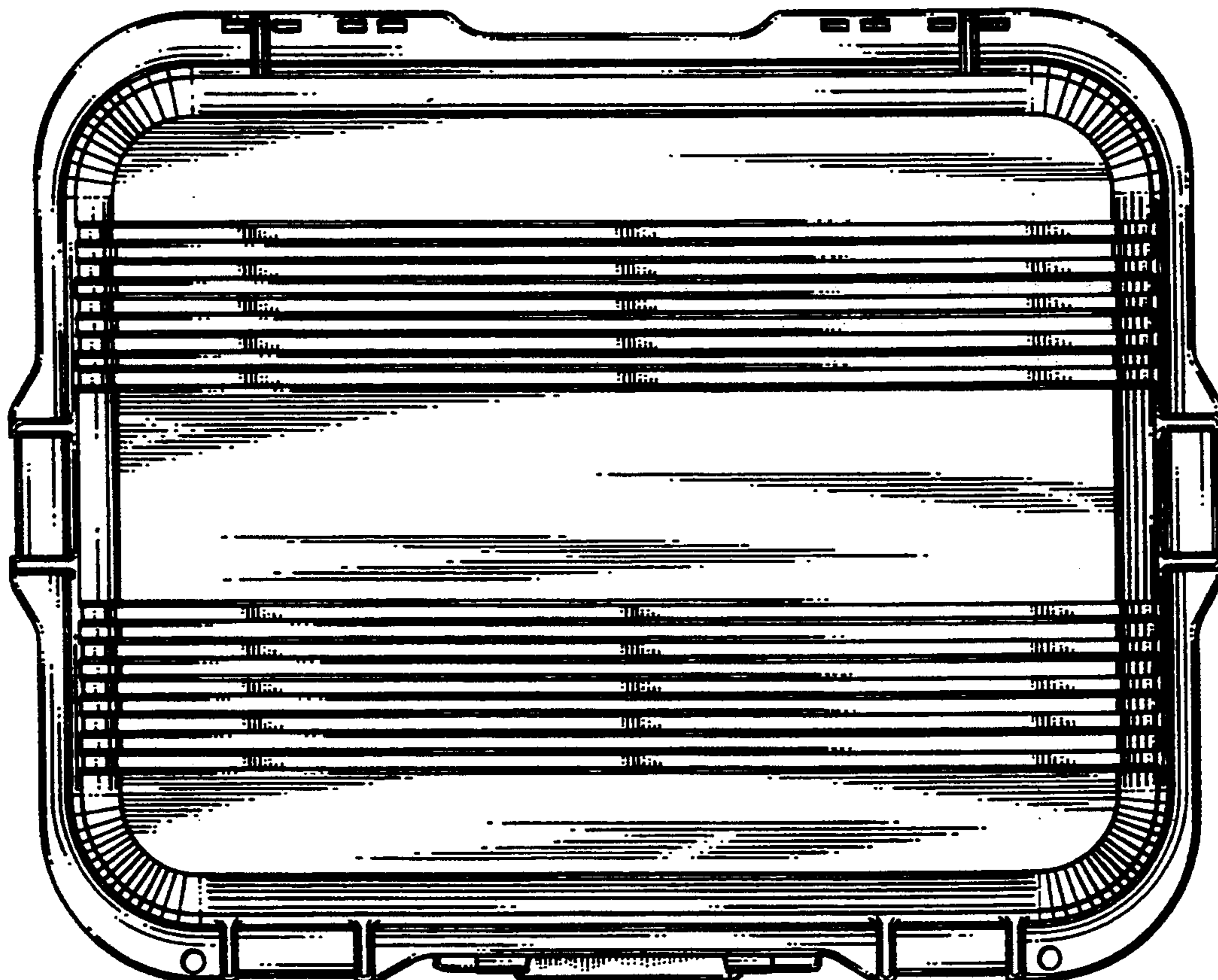


Fig. 2



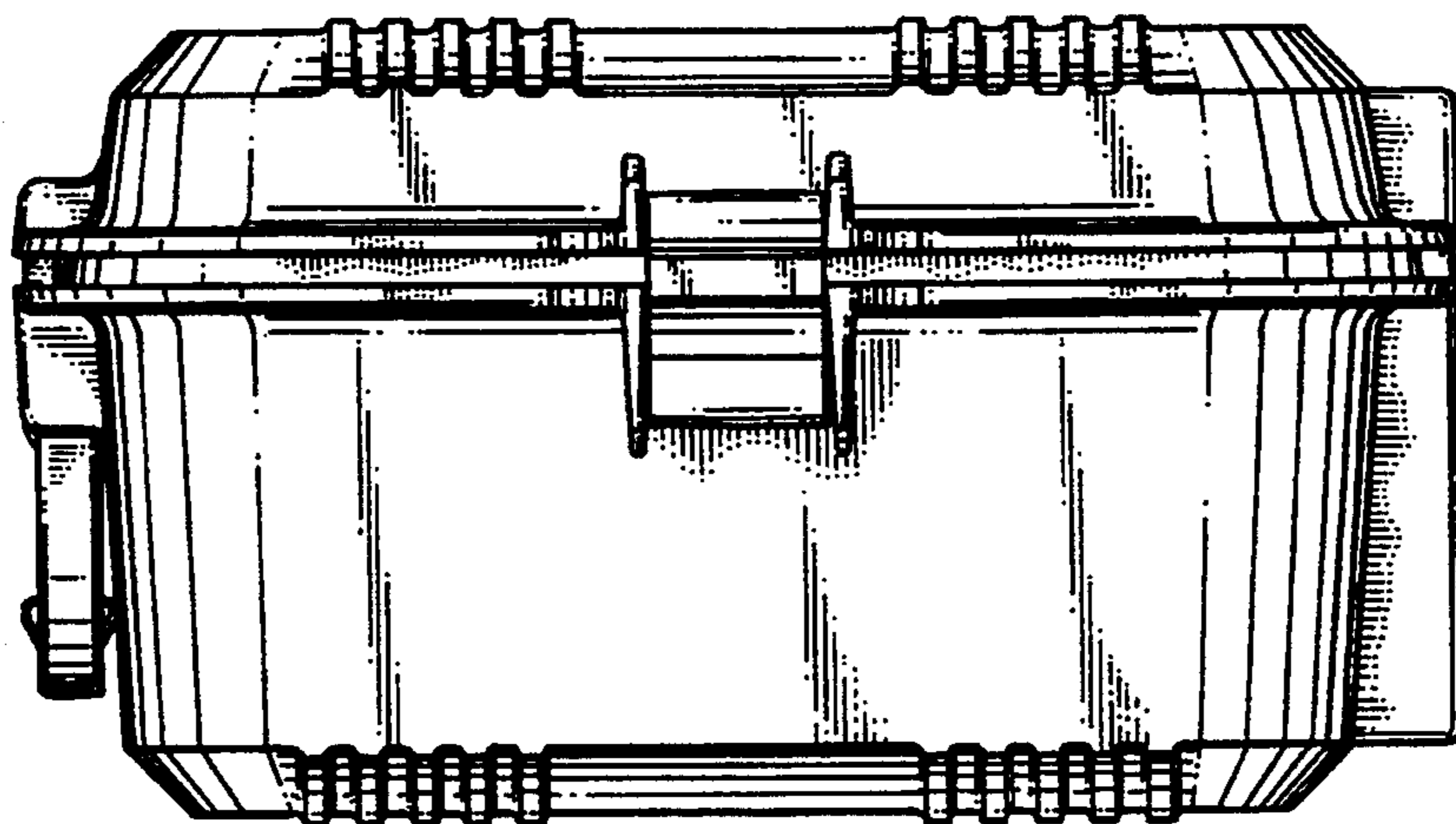


Fig. 3

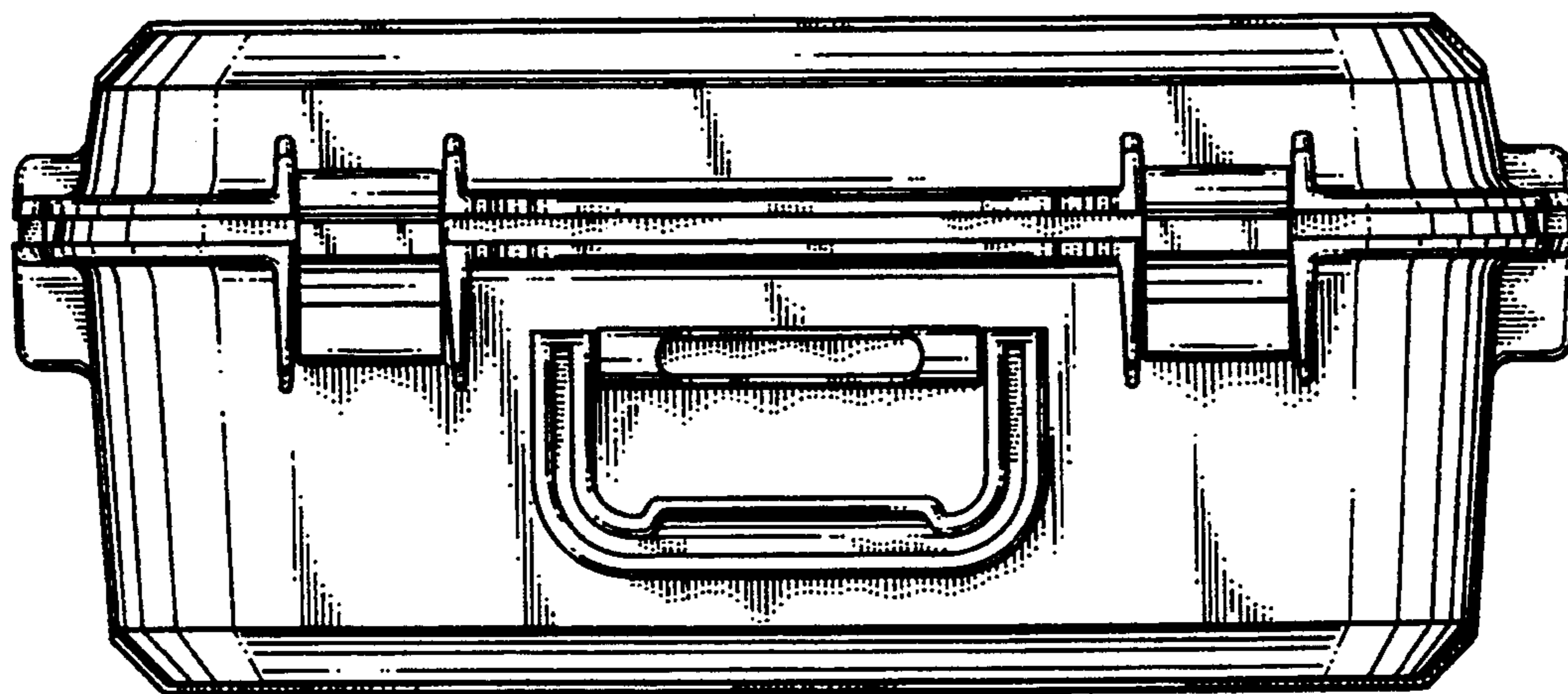


Fig. 4

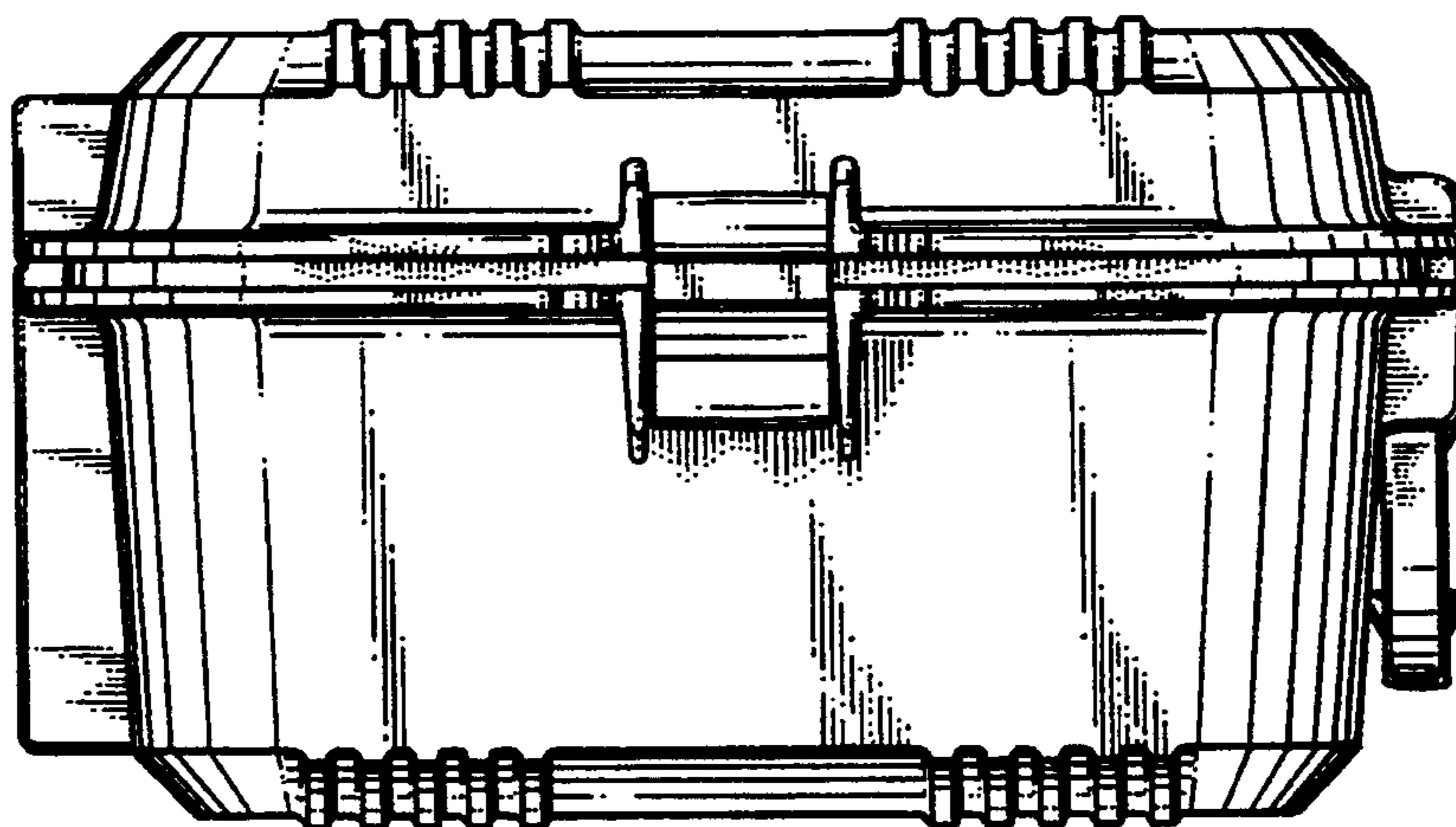


Fig. 5

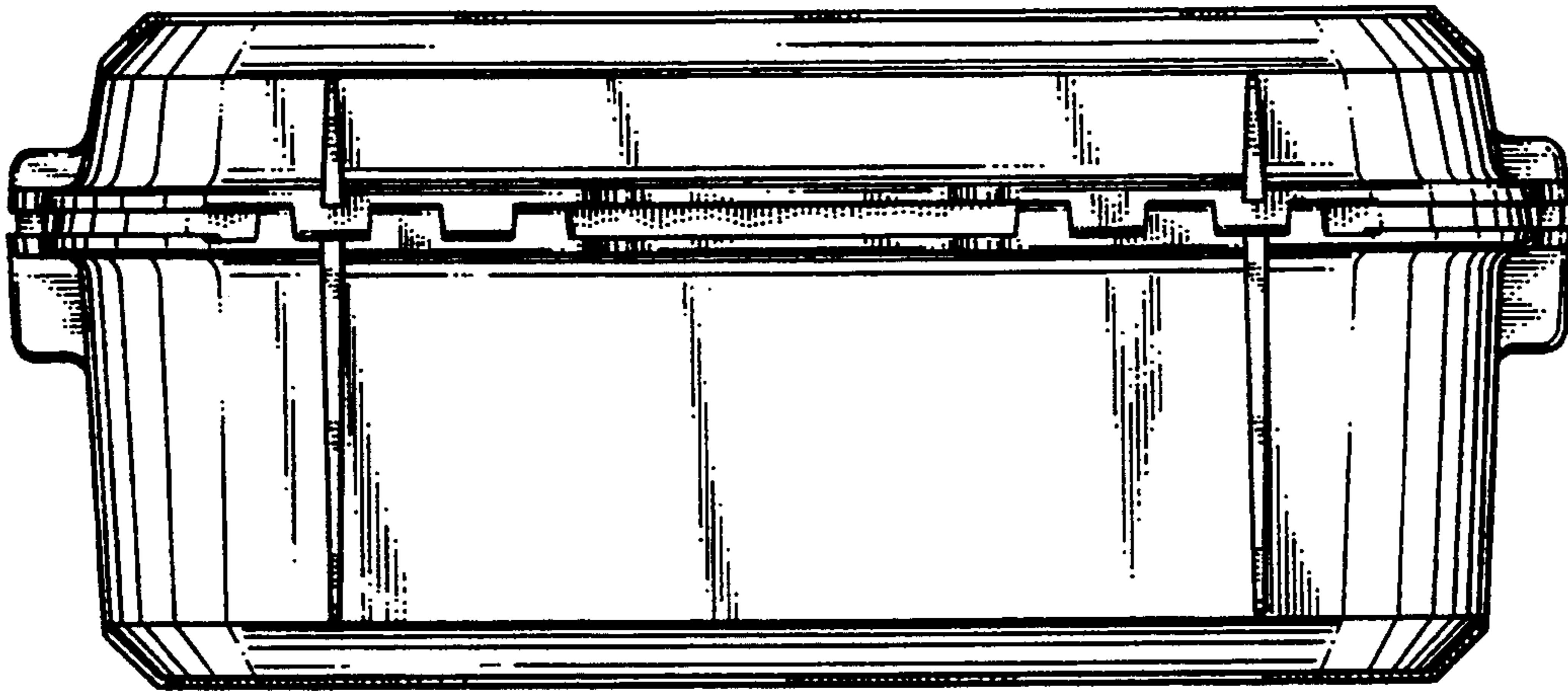


Fig. 6

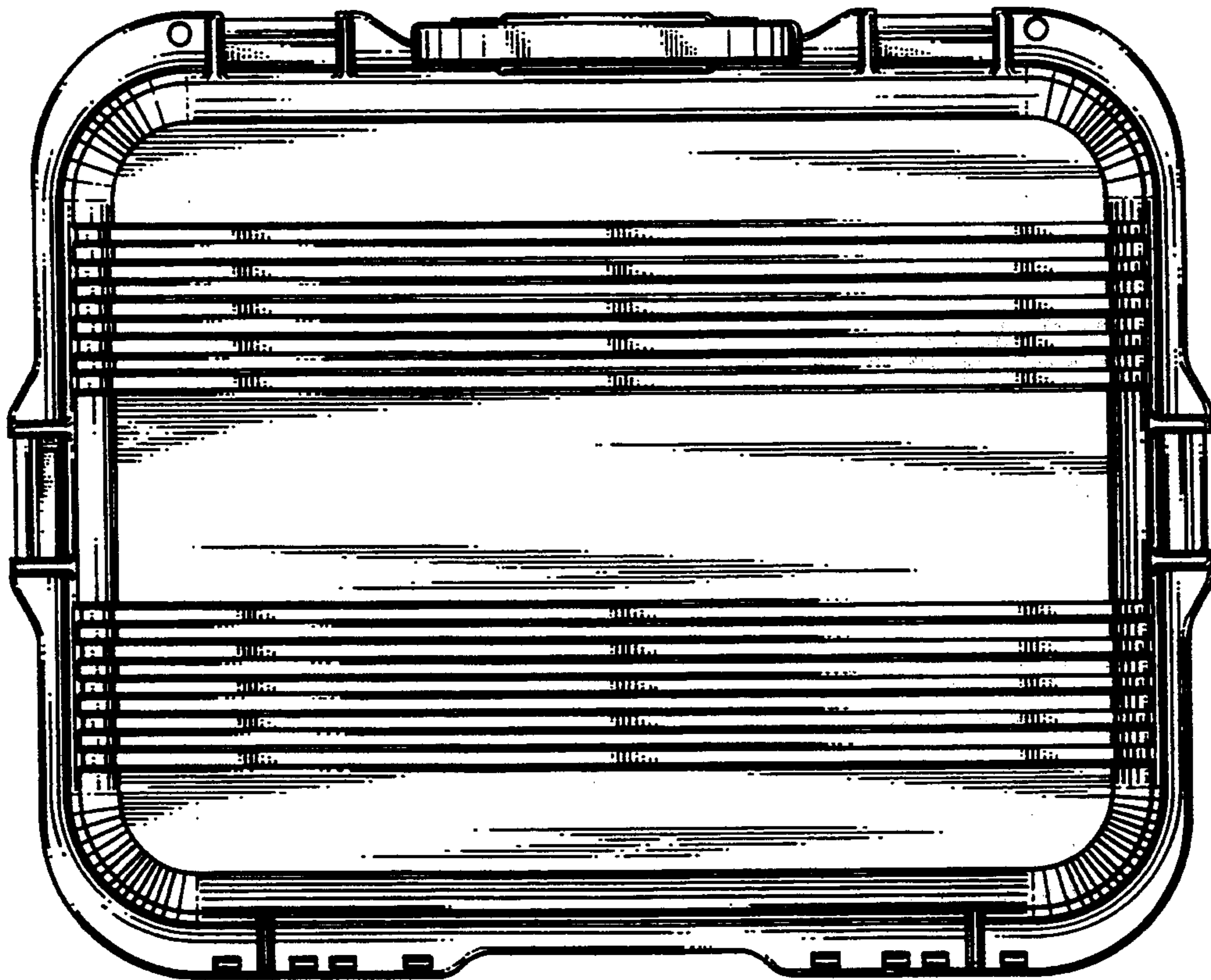


Fig. 7