



US00D353042S

United States Patent [19]

[11] Patent Number: **Des. 353,042**

Orina

[45] Date of Patent: **** Dec. 6, 1994**

[54] **COMBINED KEYHOLDER AND FLASHLIGHT**

[76] Inventor: **Ernesto S. Orina**, 103 Maple Ct., Hercules, Calif. 94547-1134

[**] Term: **14 Years**

[21] Appl. No.: **10,483**

[22] Filed: **Jul. 9, 1993**

[52] U.S. Cl. **D3/209**

[58] Field of Search **D3/207-212; 70/456 R, 456 B; 352/116; D26/37**

[56] **References Cited**

U.S. PATENT DOCUMENTS

D. 221,895	9/1971	Angibaud	D26/37
D. 251,632	4/1979	Lievin	D26/37
D. 263,651	4/1982	Meo	D3/209
D. 284,707	7/1986	Tanaka	D26/37
D. 292,288	10/1987	Schwartz	D3/208

D. 304,130	10/1989	Song	D3/209
D. 321,785	11/1991	Garrity	D3/209
D. 342,830	1/1994	Zeller	D3/209

Primary Examiner—Ralf T. Seifert
Attorney, Agent, or Firm—Terry M. Gernstein

[57] **CLAIM**

The ornamental design for a combined keyholder and flashlight, as shown and described.

DESCRIPTION

FIG. 1 is a front, top and side perspective view of the combined keyholder and flashlight showing my new design;

FIG. 2 is a front elevational view thereof;

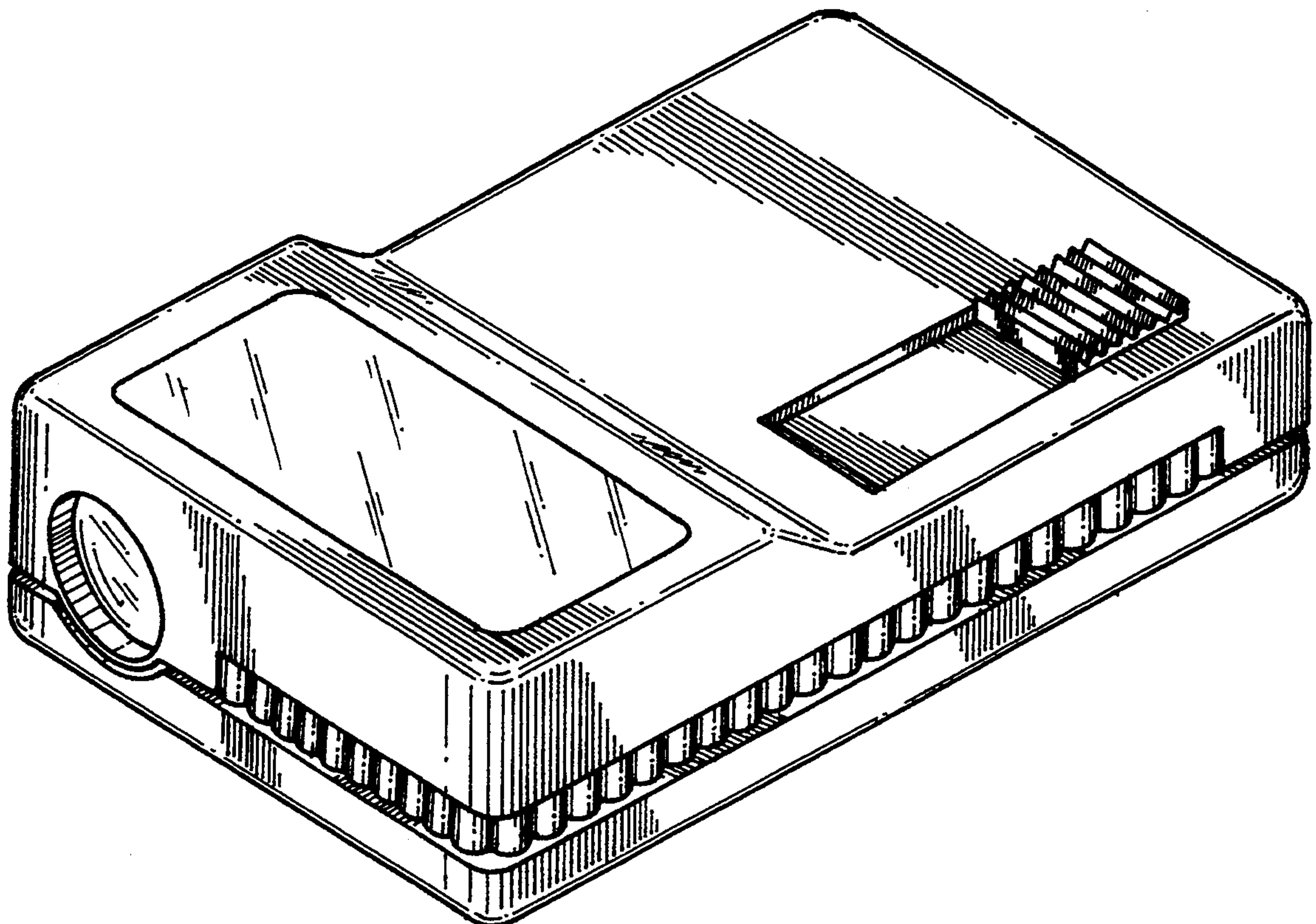
FIG. 3 is a rear elevational view thereof;

FIG. 4 is a side elevational view thereof;

FIG. 5 is a side elevational view thereof;

FIG. 6 is a top plan view thereof; and,

FIG. 7 is a bottom plan view thereof.



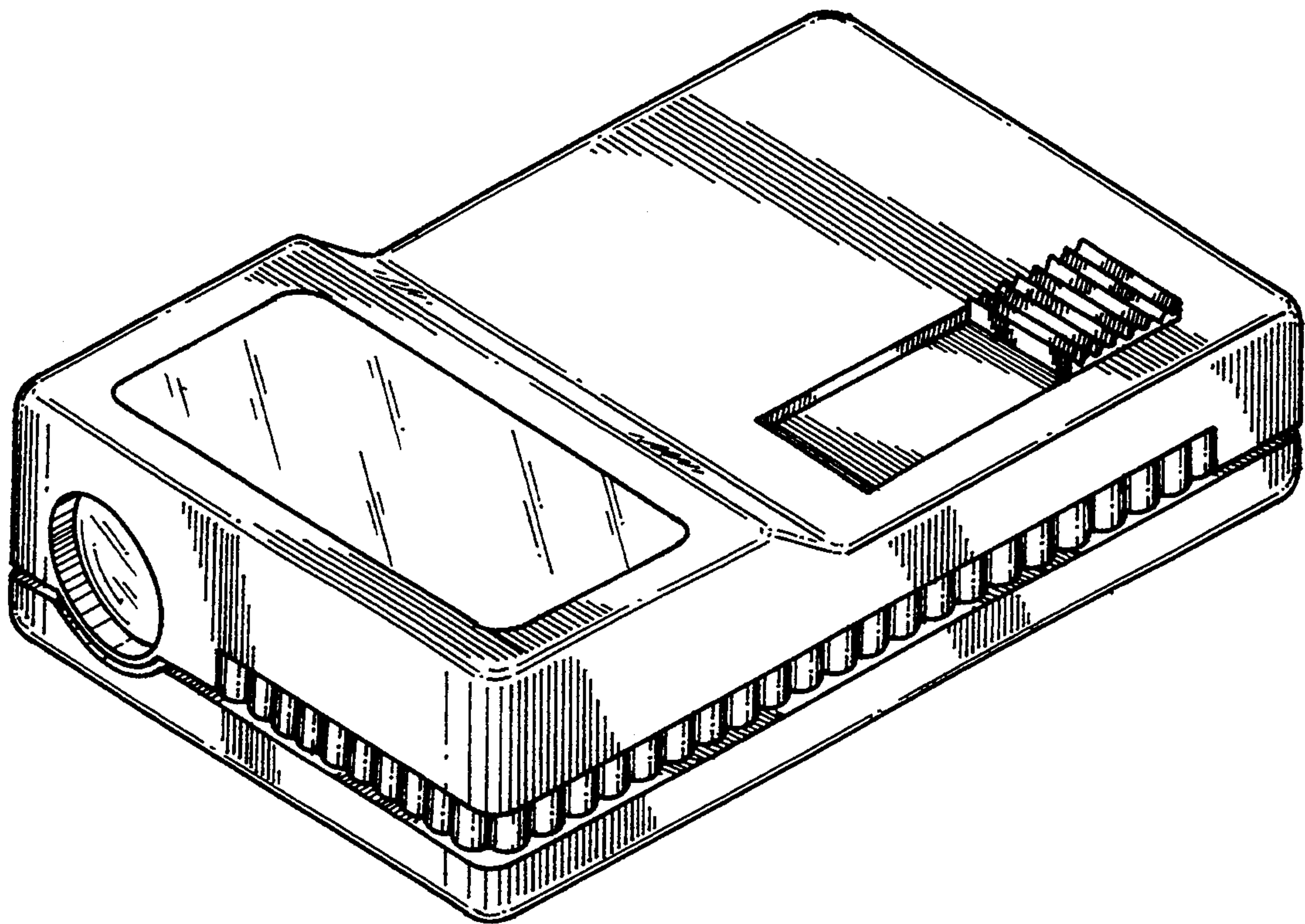


FIG. 1.

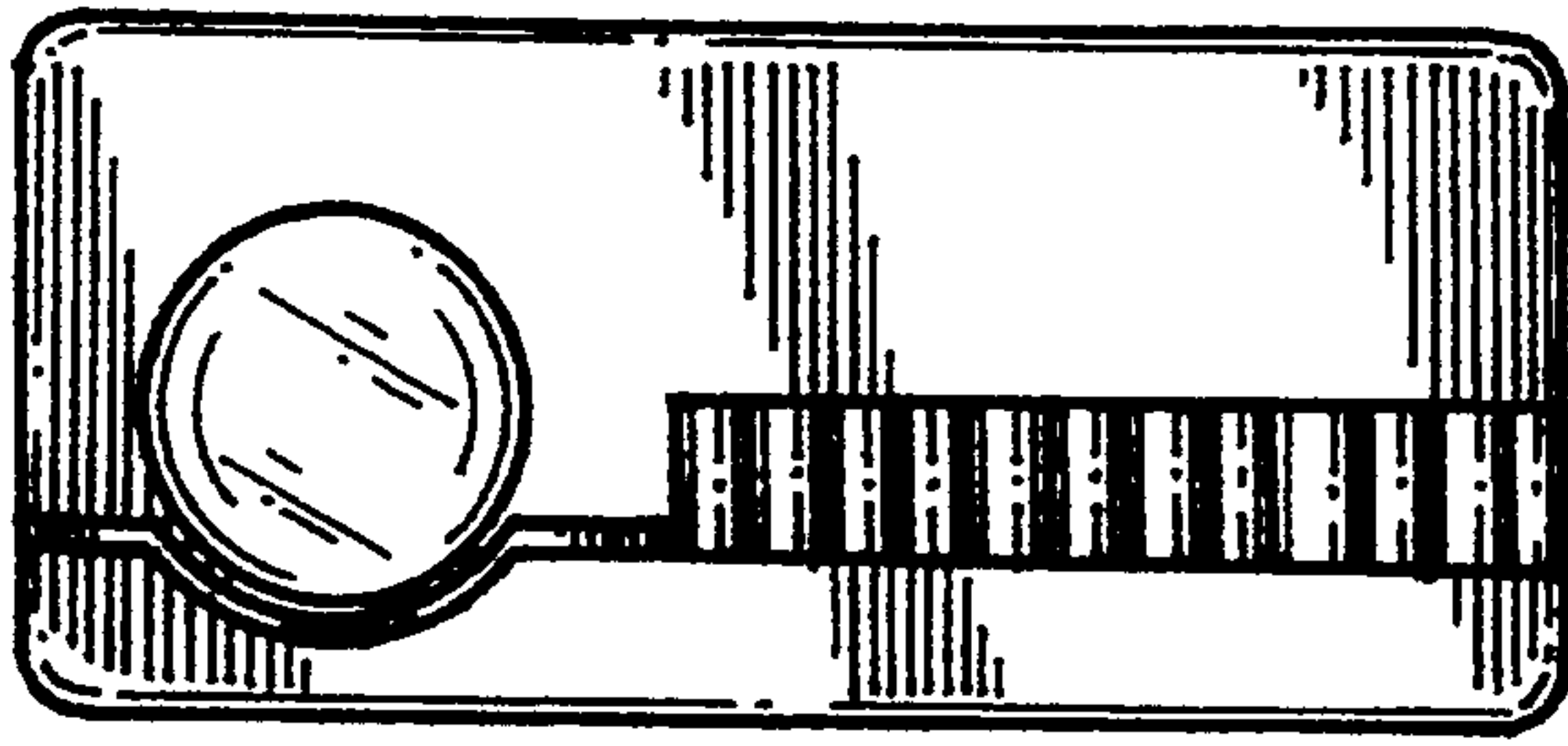


FIG. 2.

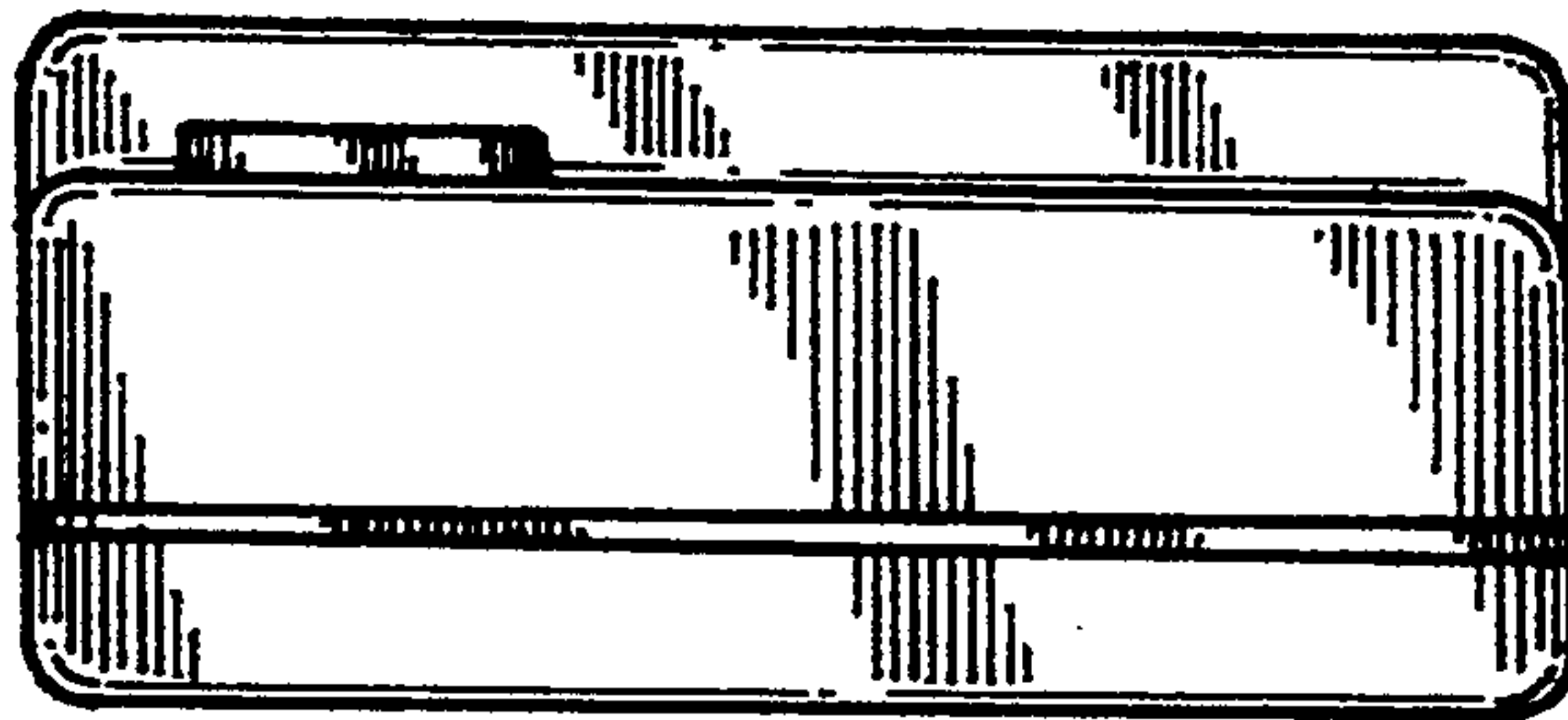


FIG. 3.

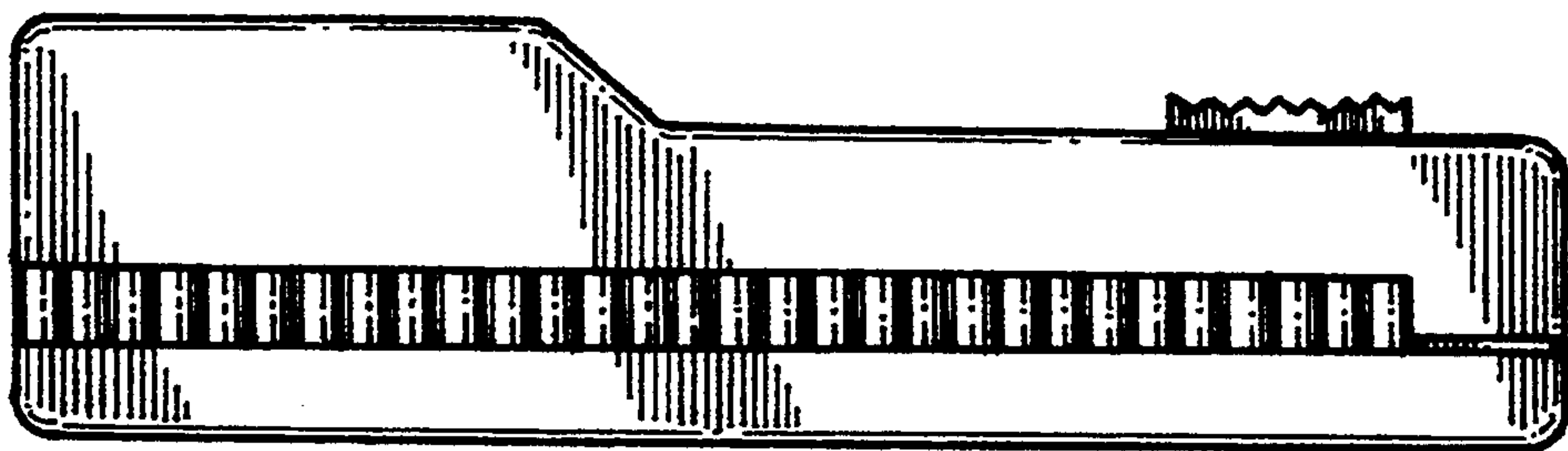


FIG. 4.

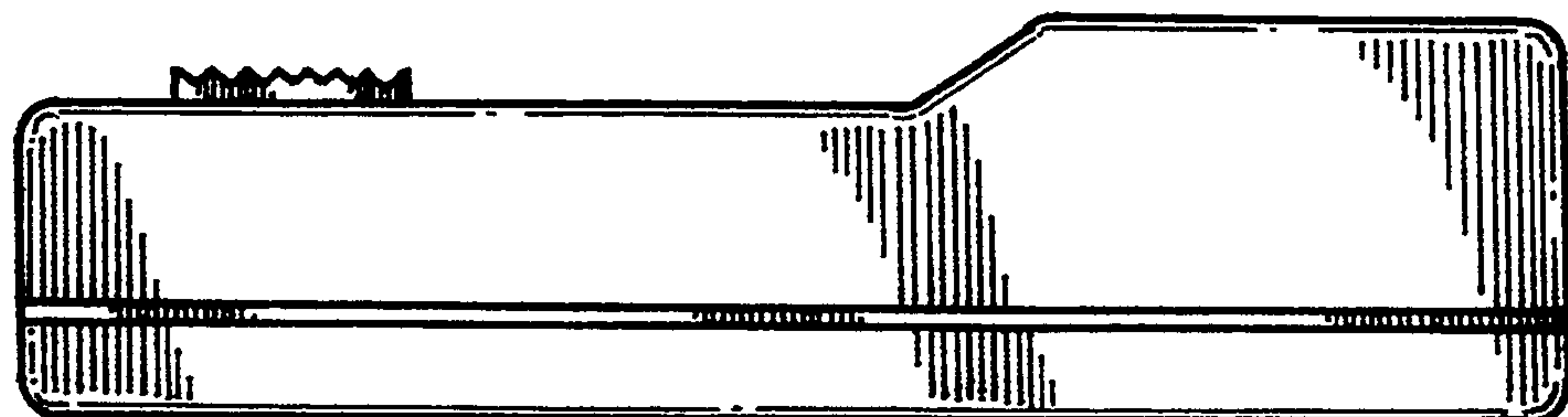


FIG. 5.

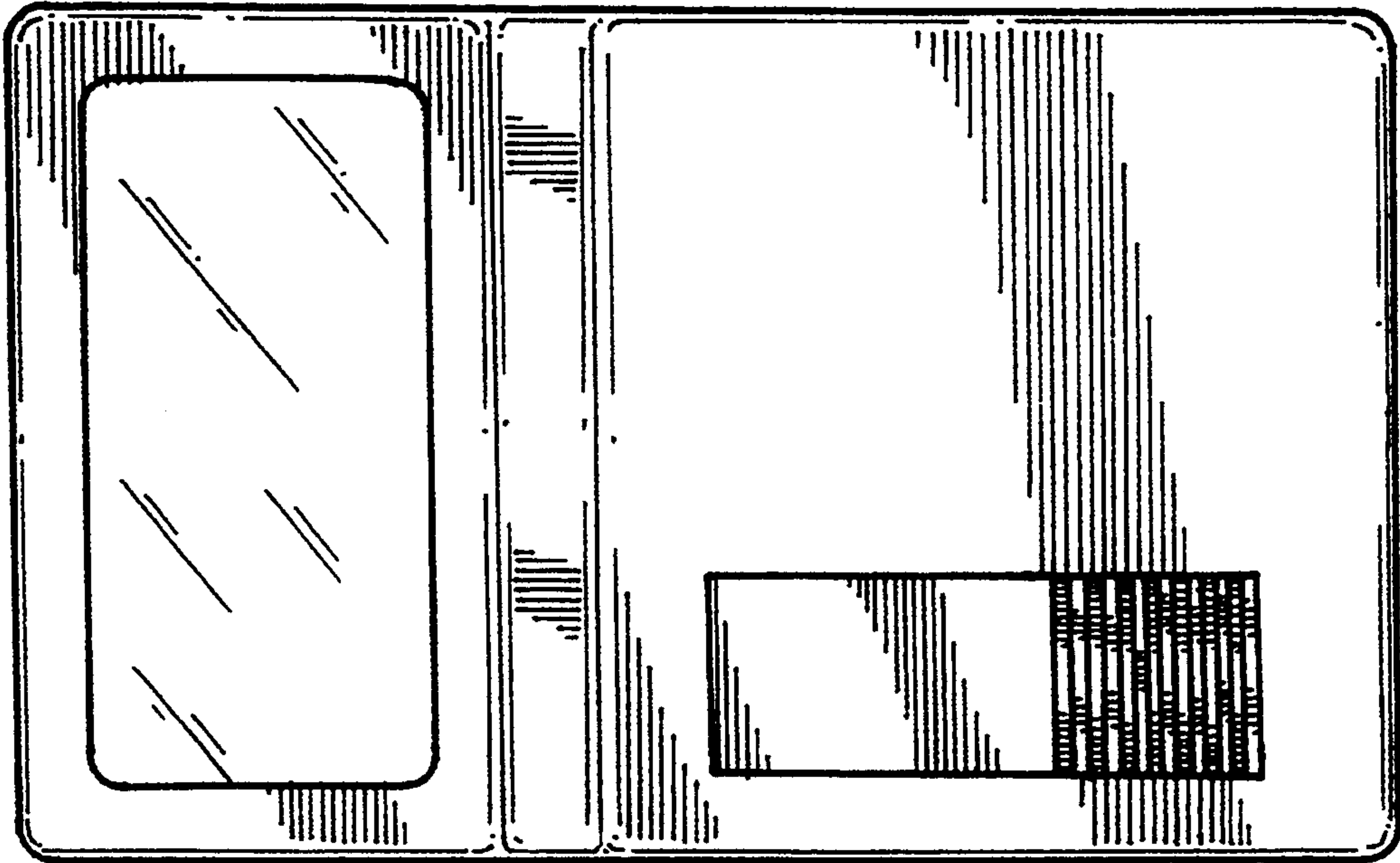


FIG. 6.

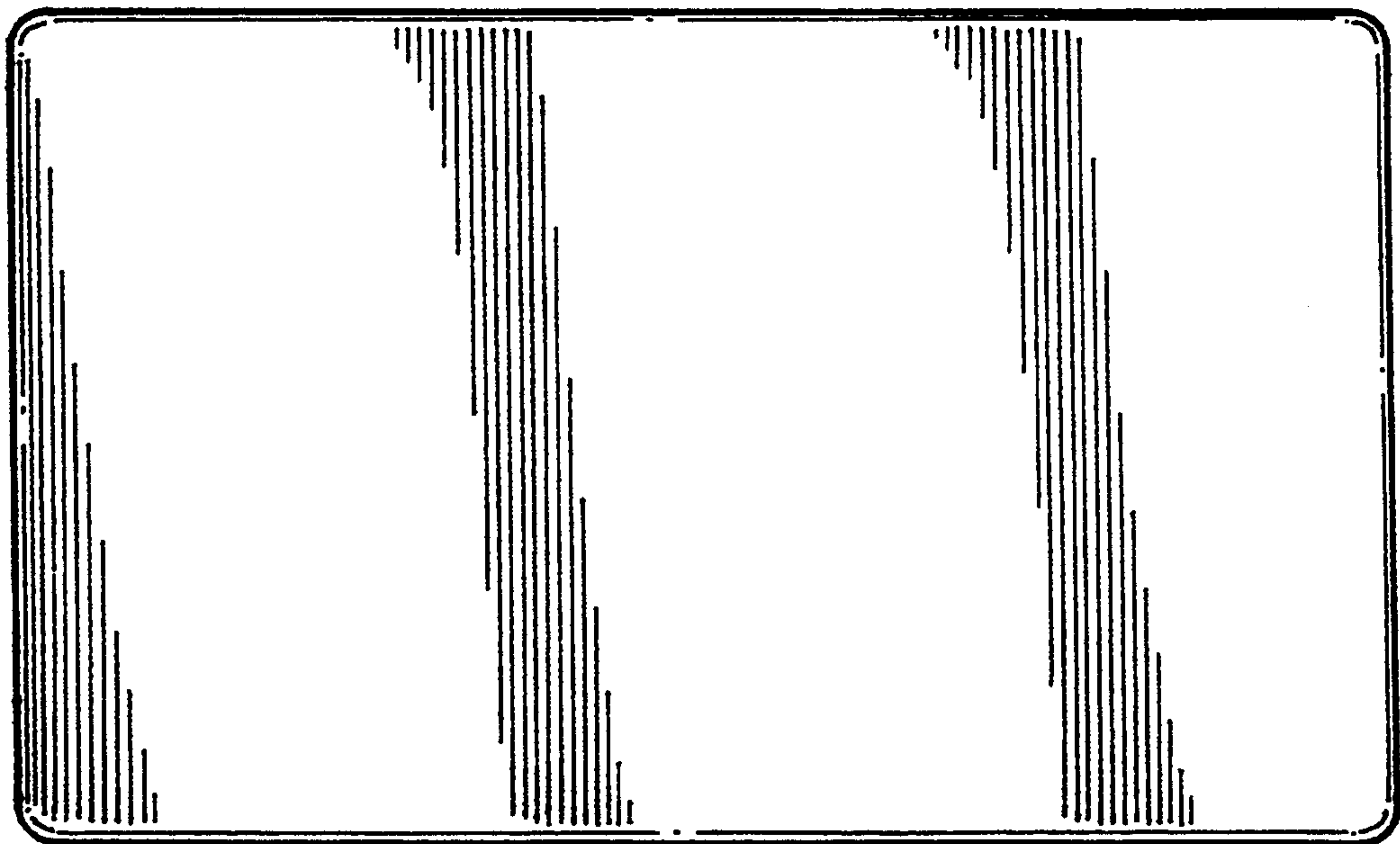


FIG. 7.