



US00D353041S

# United States Patent [19]

[11] Patent Number: **Des. 353,041**

**Stenberg**

[45] Date of Patent: **\*\* Dec. 6, 1994**

[54] **COMBINED UMBRELLA AND LIGHT**

4,848,385 7/1989 Pennella ..... 135/16  
4,872,468 10/1989 Cole ..... 135/16

[76] Inventor: **Dixie Stenberg, 22215-39 Avenue, W,  
Mountlake Terrace, Wash. 98043**

*Primary Examiner*—Louis S. Zarfes  
*Attorney, Agent, or Firm*—Terry M. Gernstein

[\*\*] Term: **14 Years**

[57] **CLAIM**

[21] Appl. No.: **15,629**

The ornamental design for a combined umbrella and light, as shown and described.

[22] Filed: **Nov. 23, 1993**

**DESCRIPTION**

[52] U.S. Cl. .... **D3/5; D3/13;  
D26/38**

[58] Field of Search ..... **D3/5-7,  
D3/10-17; 135/15.1, 16, 17, 18, 19.5, 44, 25.4,  
910; 362/102; D26/38**

FIG. 1 is a front, top and side perspective view of the combined umbrella and light showing my new design in the open condition;

FIG. 2 is a front elevational view thereof, the rear being a mirror image of the front shown in FIG. 2 with the exception of the switch;

FIG. 3 is a side elevational view thereof, the side opposite being a mirror image of the side shown in FIG. 3;

FIG. 4 is a top plan view thereof;

FIG. 5 is a bottom plan view thereof;

FIG. 6 is a front elevational view thereof in a partially collapsed condition with a container being shown in perspective; and,

FIG. 7 is a perspective view thereof in the collapsed condition.

[56] **References Cited**

**U.S. PATENT DOCUMENTS**

D. 321,782	11/1921	Cain	.....	D3/12
D. 342,827	1/1994	Würflingsdobler, Jr.	.....	D3/6
D. 345,645	4/1994	Good	.....	D3/5
1,885,968	11/1932	Wedemann	.....	D3/11 X
3,281,586	10/1966	Gonzalez	.....	135/16 X
3,851,164	11/1974	Intrator	.....	362/7
4,020,858	5/1977	Wilson	.....	135/15.1
4,031,381	6/1977	Carver	.....	135/910 X



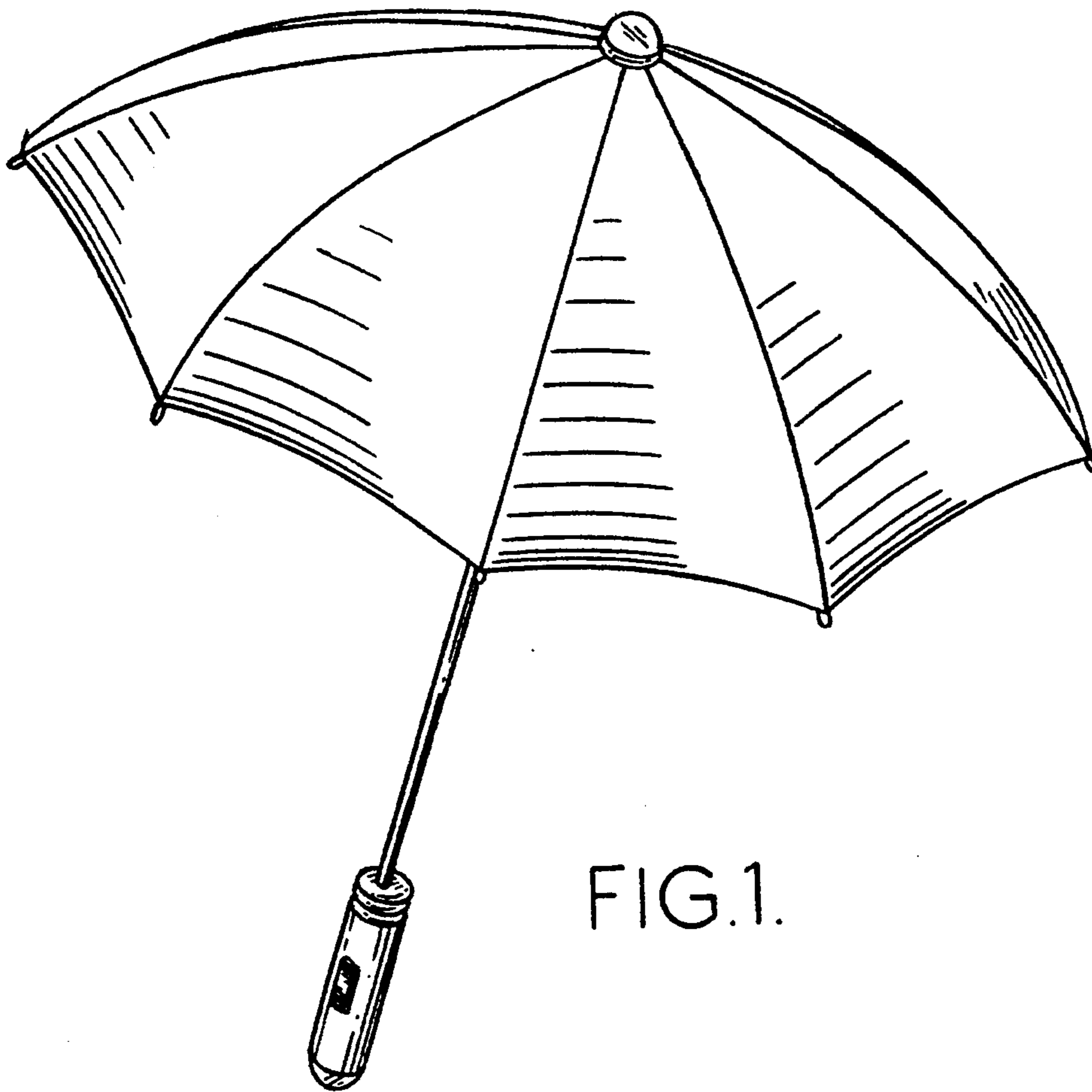


FIG. 1.

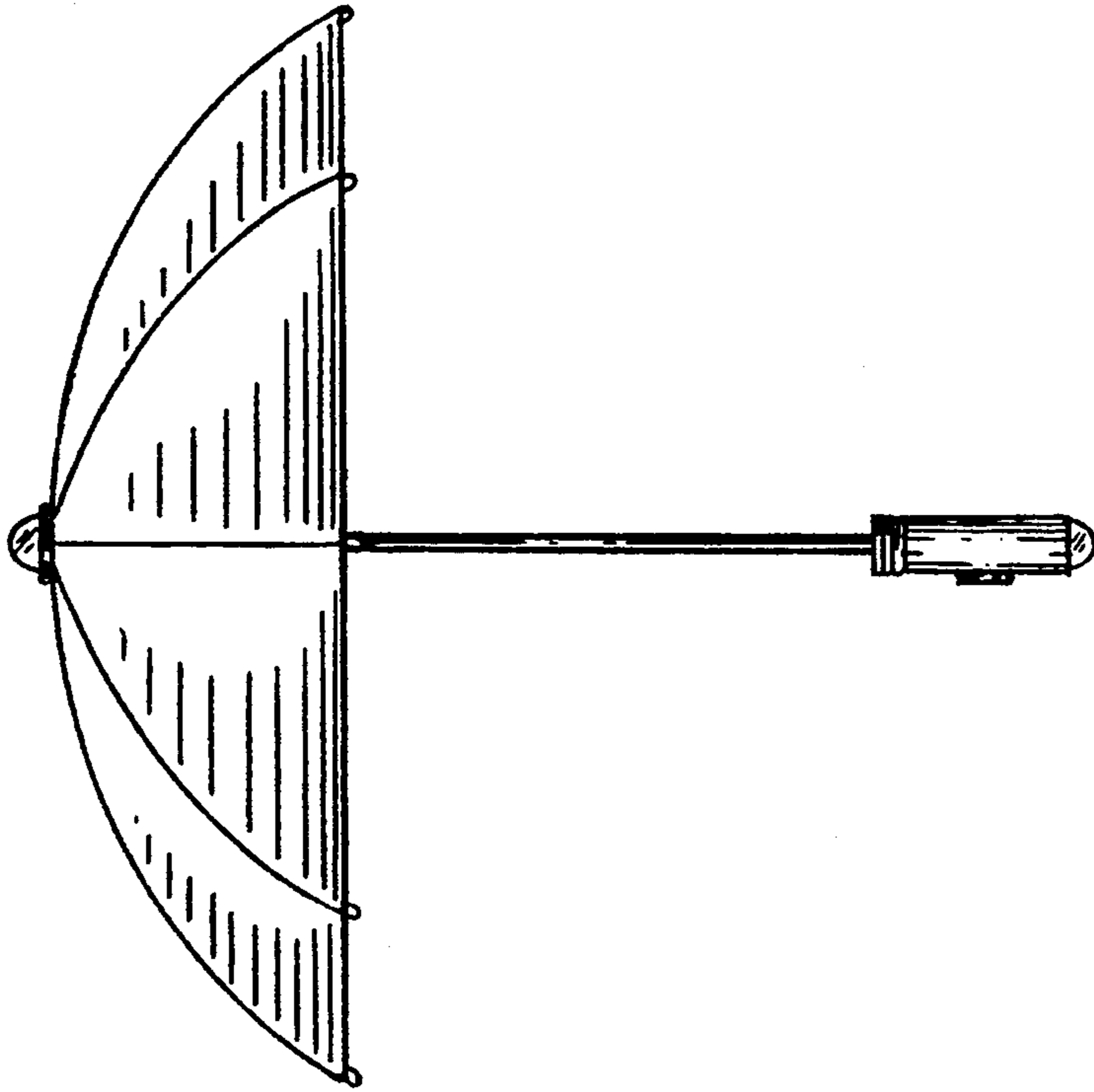


FIG. 3.

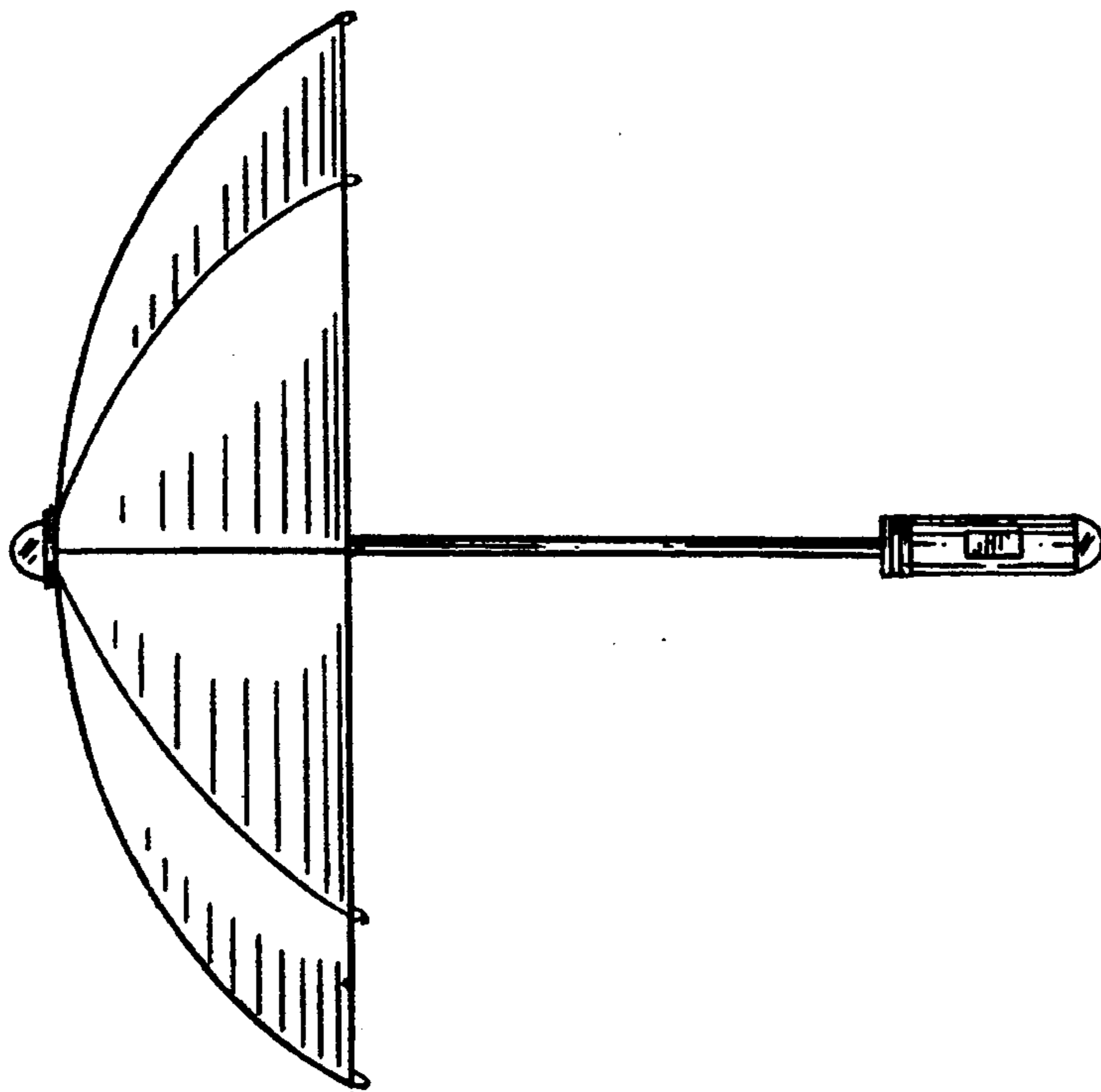


FIG. 2.

FIG. 5.

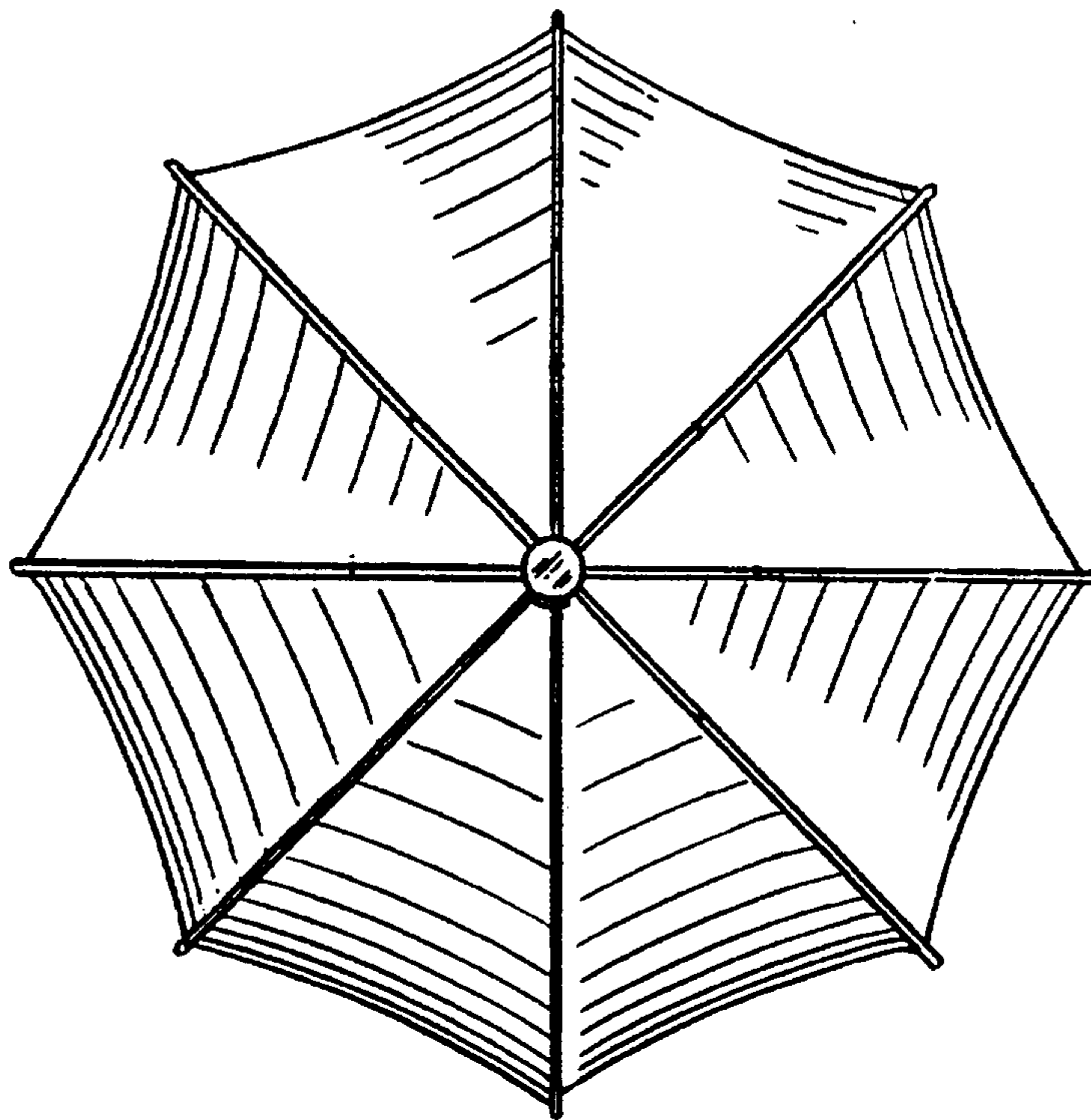
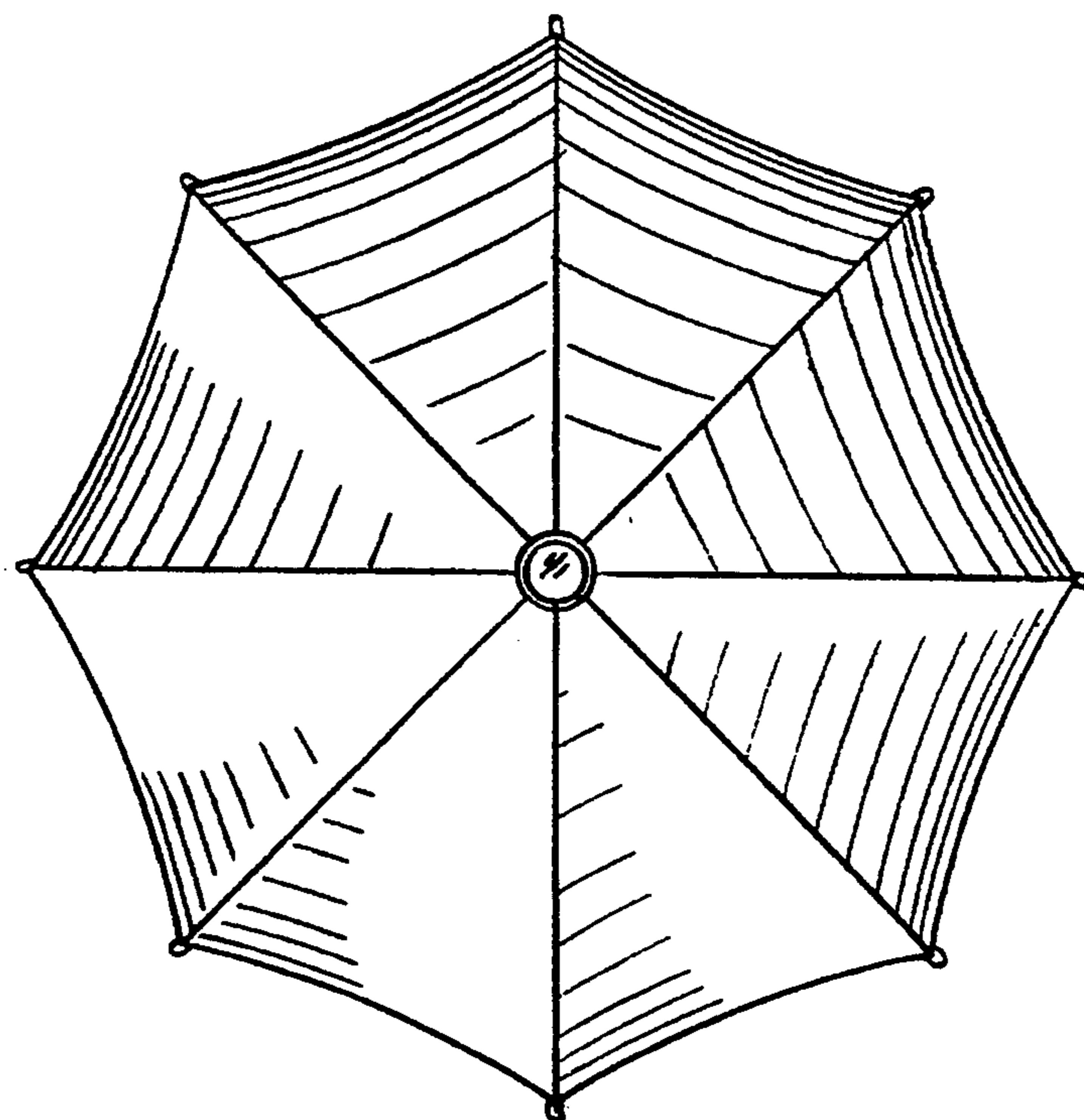


FIG. 4.



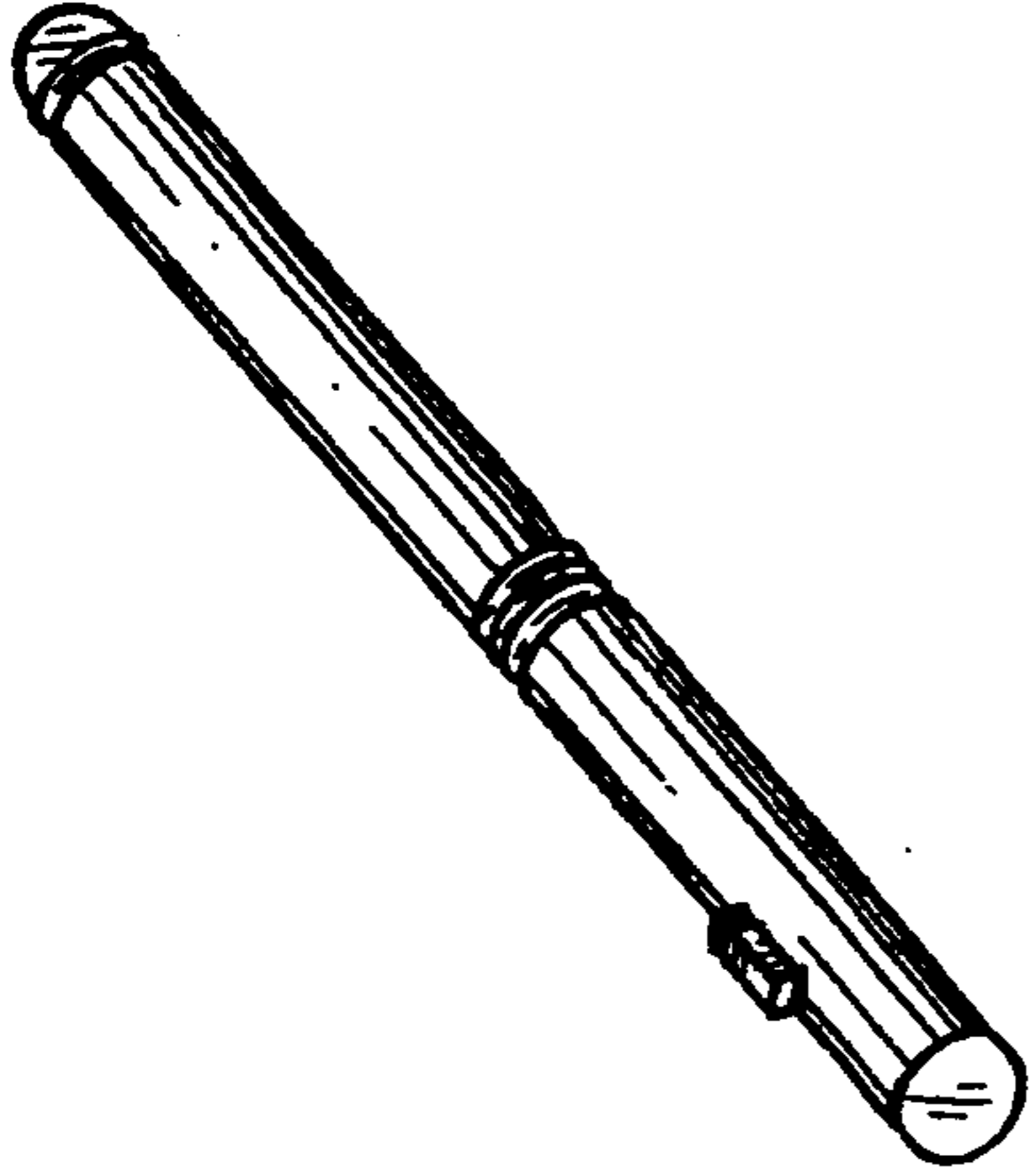


FIG. 7.

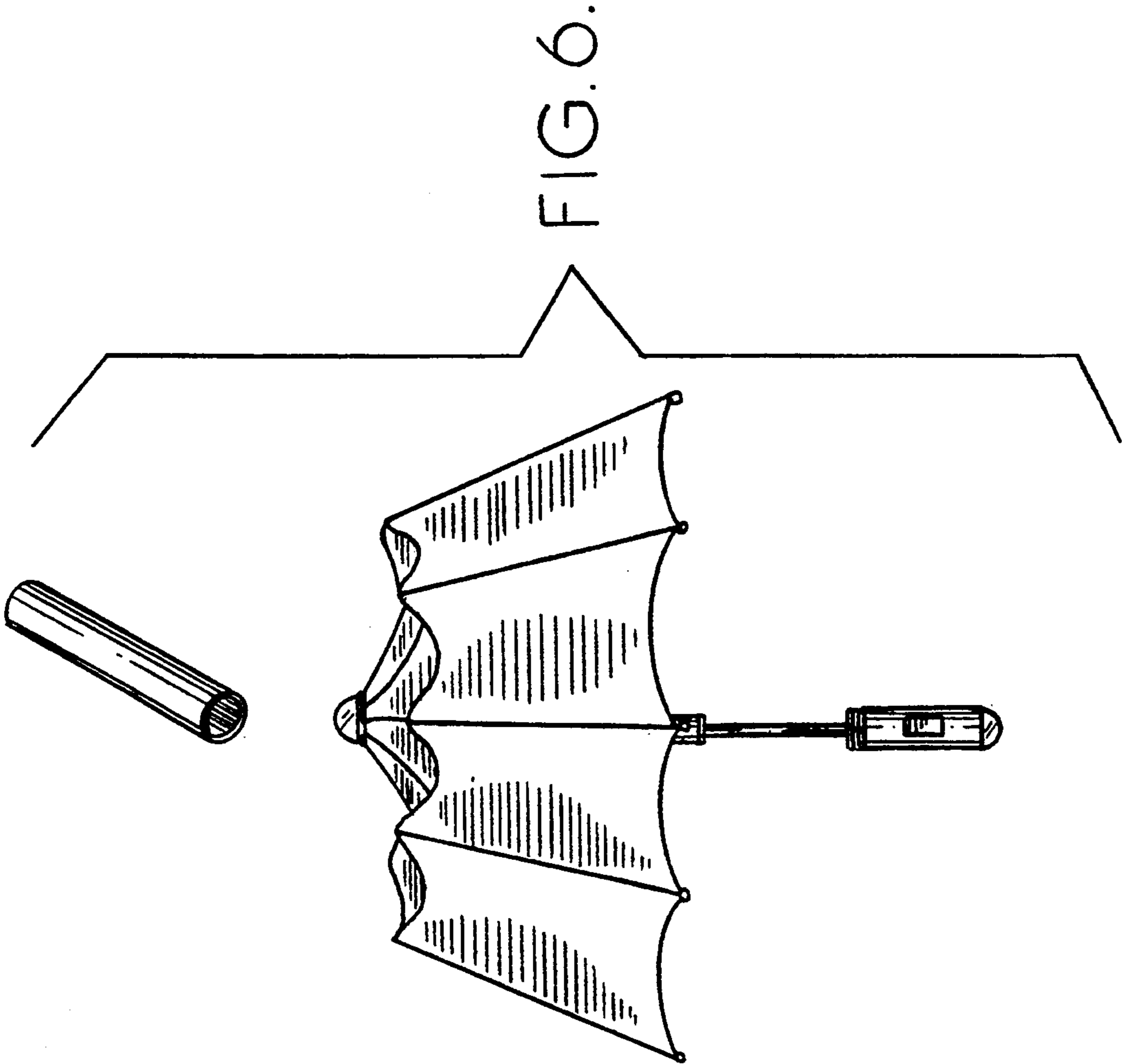


FIG. 6.