



US00D353030S

United States Patent [19] Fernandez

[11] Patent Number: **Des. 353,030**
[45] Date of Patent: **** Nov. 29, 1994**

[54] **BIRD CAGE**

[76] Inventor: **Hector Fernandez, 6447 Egret La.,
Unit 418, Bradenton, Fla. 34210**

[**] Term: **14 Years**

[21] Appl. No.: **15,532**

[22] Filed: **Nov. 19, 1993**

[52] U.S. Cl. **D30/110; D30/161;
D30/108**

[58] Field of Search **119/15, 19, 165, 17;
D30/108, 110, 114-116, 109, 160, 161;
D11/145**

[56] **References Cited**

U.S. PATENT DOCUMENTS

D. 243,464	2/1977	Greene	D30/110
3,522,904	8/1970	Locke et al.	119/19
3,985,102	10/1976	Yonezawa	119/160
4,498,421	2/1985	Lovitt	119/17
4,552,093	11/1985	Puckett	119/17
4,785,766	11/1988	Blalock, Jr.	119/17
4,869,206	9/1989	Spina	119/17
4,989,744	2/1991	Tominaga	119/17
5,181,480	1/1993	Dabolt	119/165
5,307,758	5/1994	Ho	119/19

FOREIGN PATENT DOCUMENTS

1311406	10/1962	France	119/17
2431250	3/1980	France	119/17
601052	9/1963	Netherlands	119/17
844251	8/1960	United Kingdom	119/17

OTHER PUBLICATIONS

Winterthur Catalog; Winter 1990-1991; p. 26-Bird Feeder.

Gift and Art Buyer; Jul. 1950; p. 193; Bird House.

Primary Examiner—Cathy Anne MacCormac
Attorney, Agent, or Firm—Pettis & McDonald

[57] **CLAIM**

The ornamental design for a bird cage, as shown.

DESCRIPTION

FIG. 1 is an isometric view of the bird cage of this invention;

FIG. 2 is a top plan view thereof;

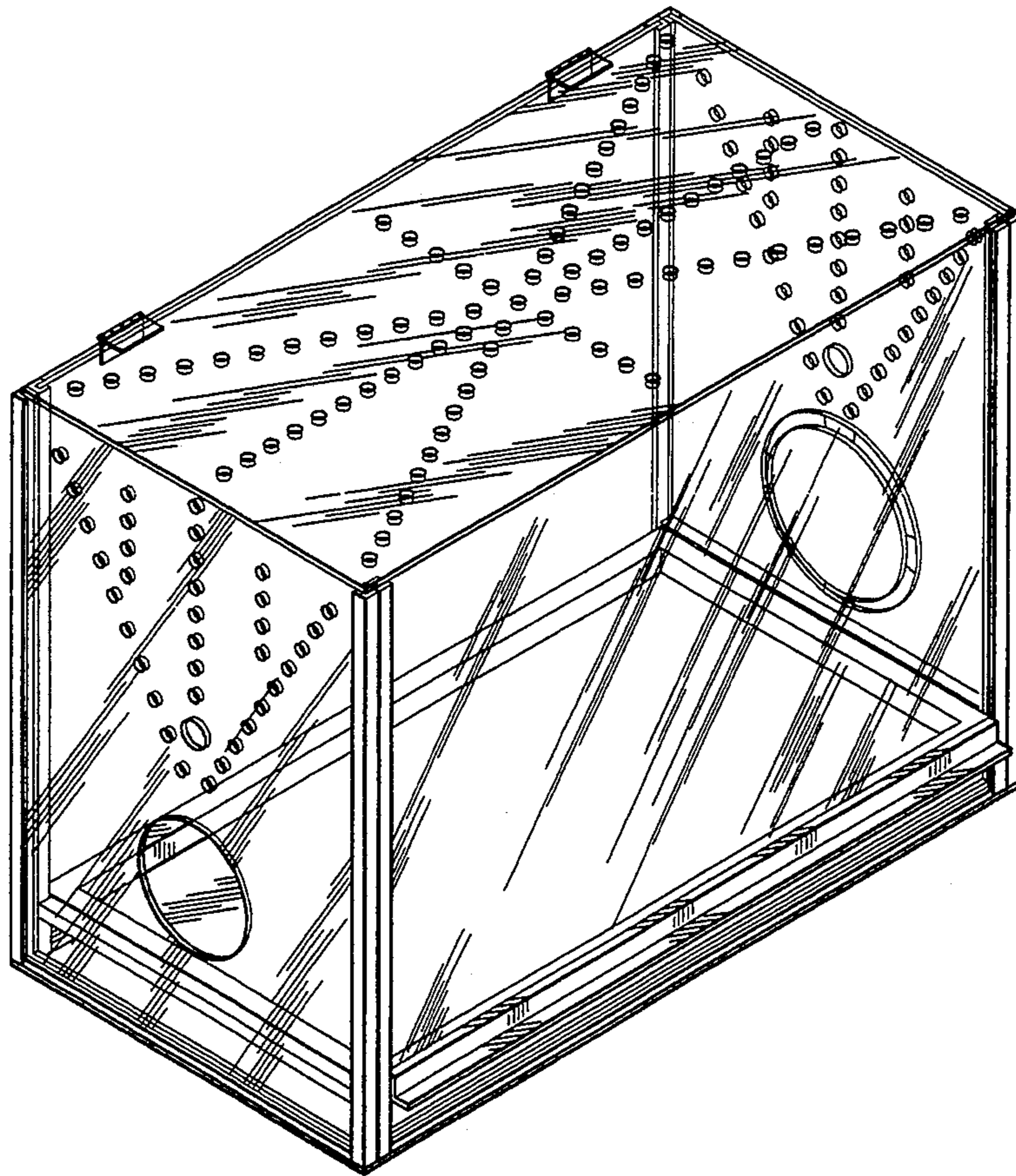
FIG. 3 is a bottom plan view thereof;

FIG. 4 is a left side elevation view thereof;

FIG. 5 is a front elevation view thereof;

FIG. 6 is a right side elevation view thereof; and,

FIG. 7 is a rear elevation view thereof.



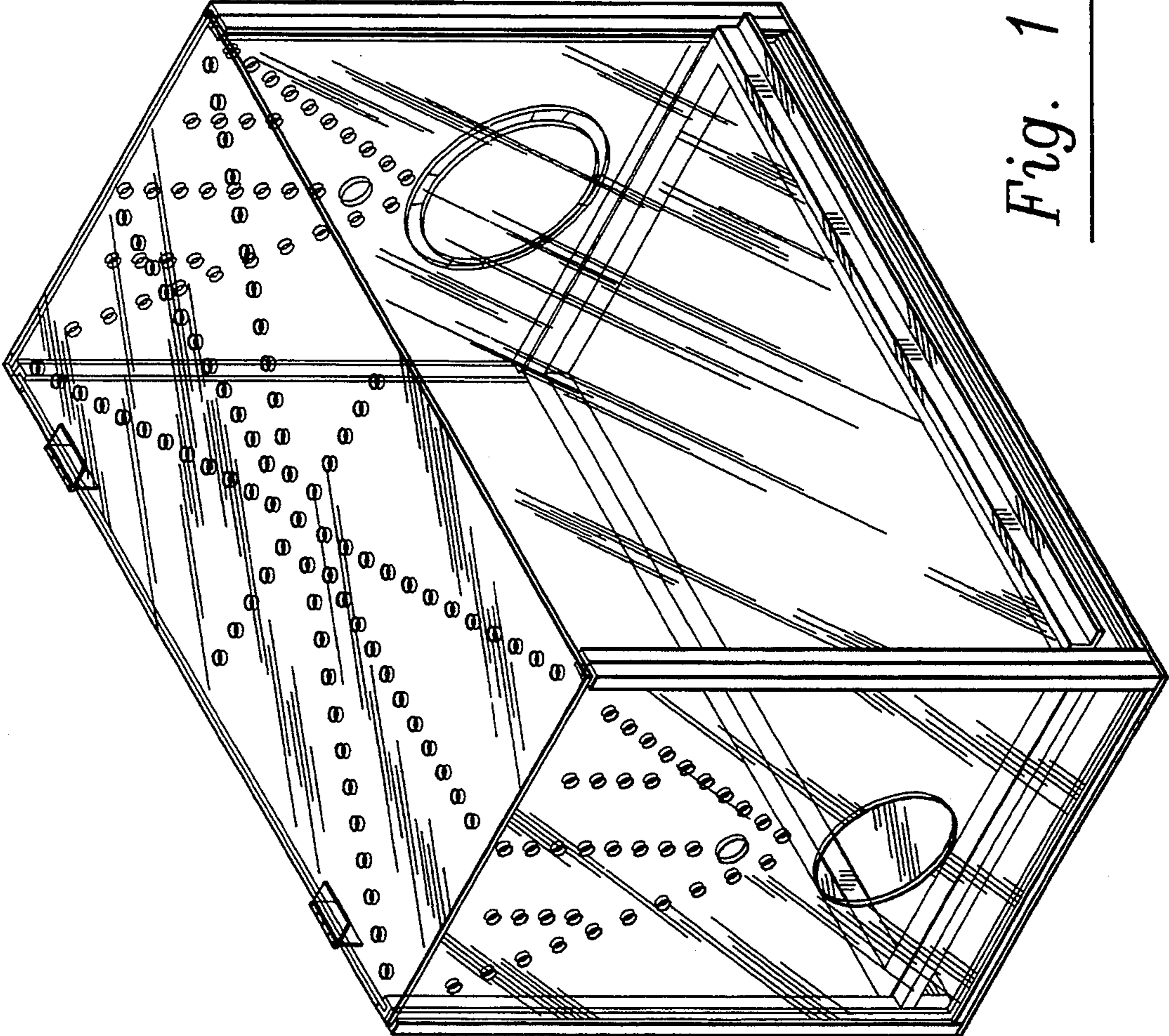


Fig. 1

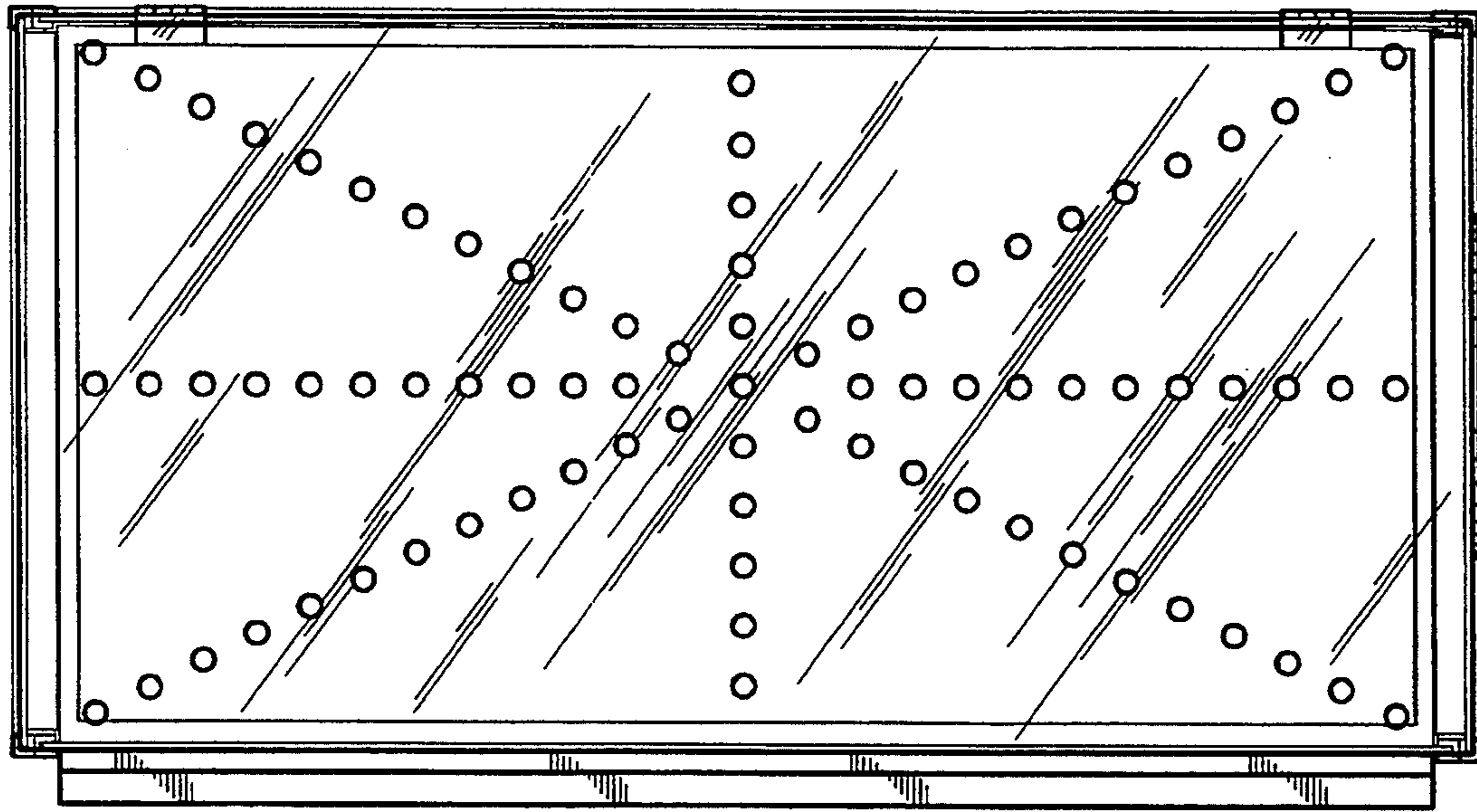


Fig. 2

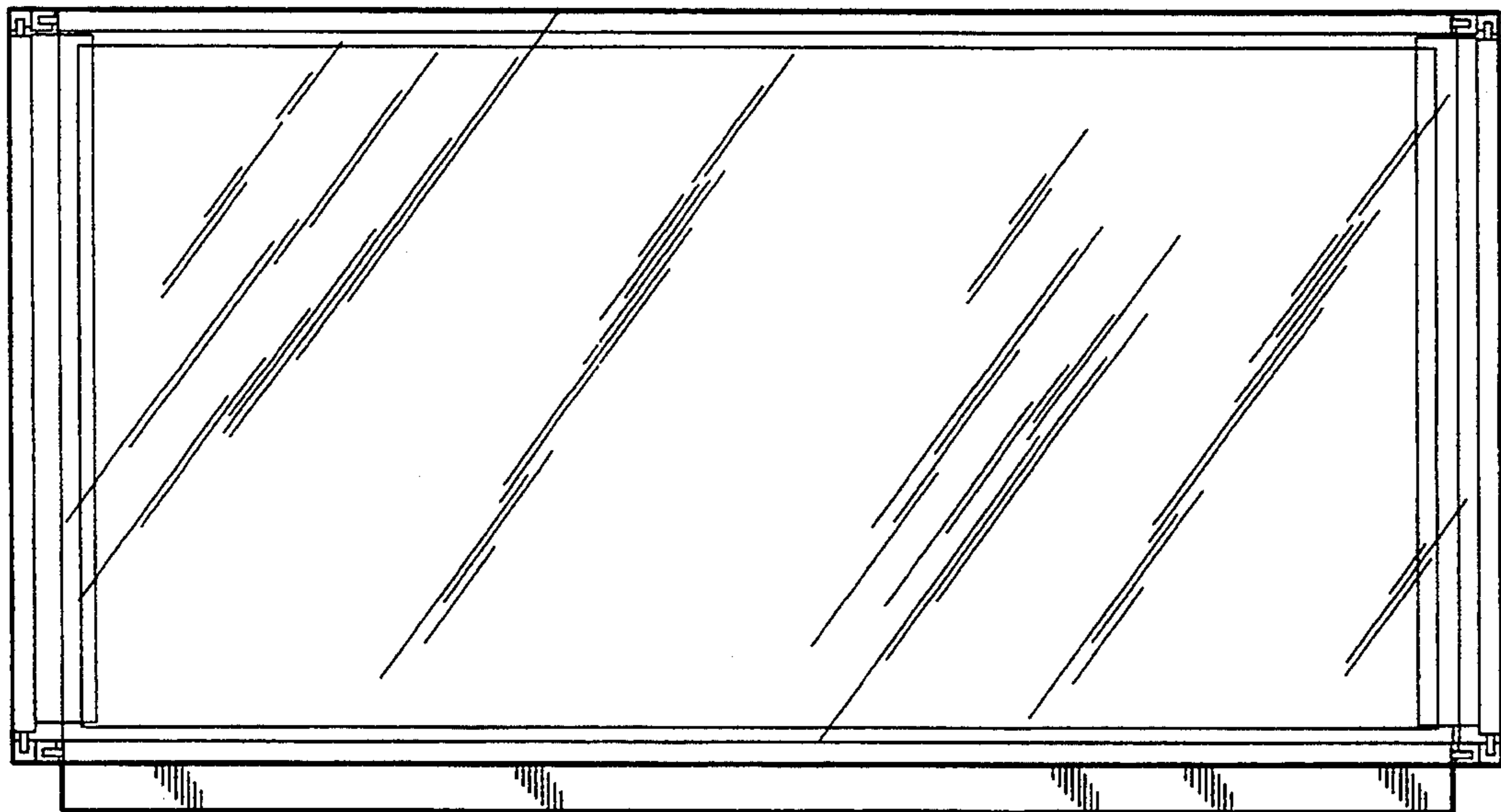


Fig. 3

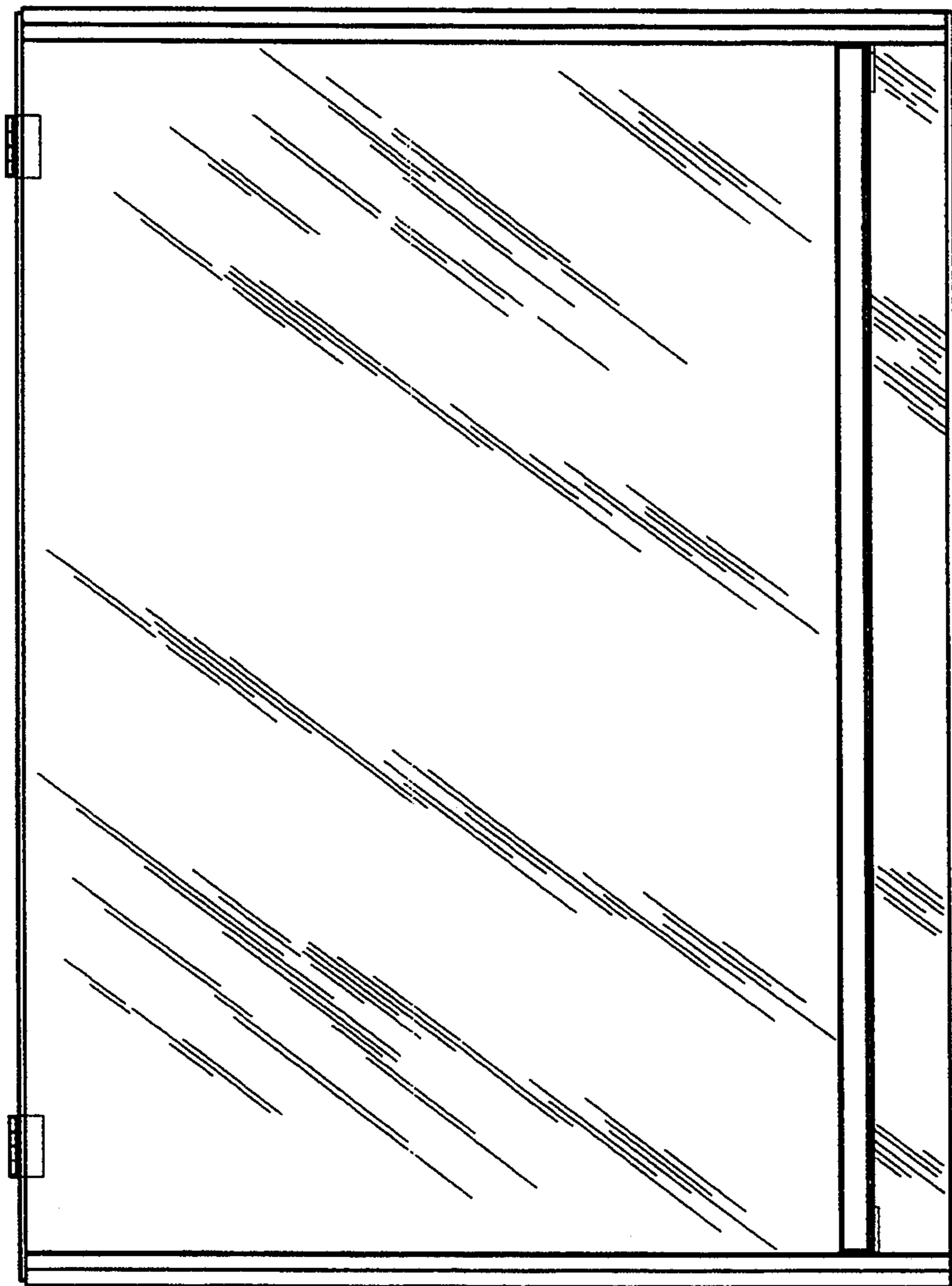


Fig. 5

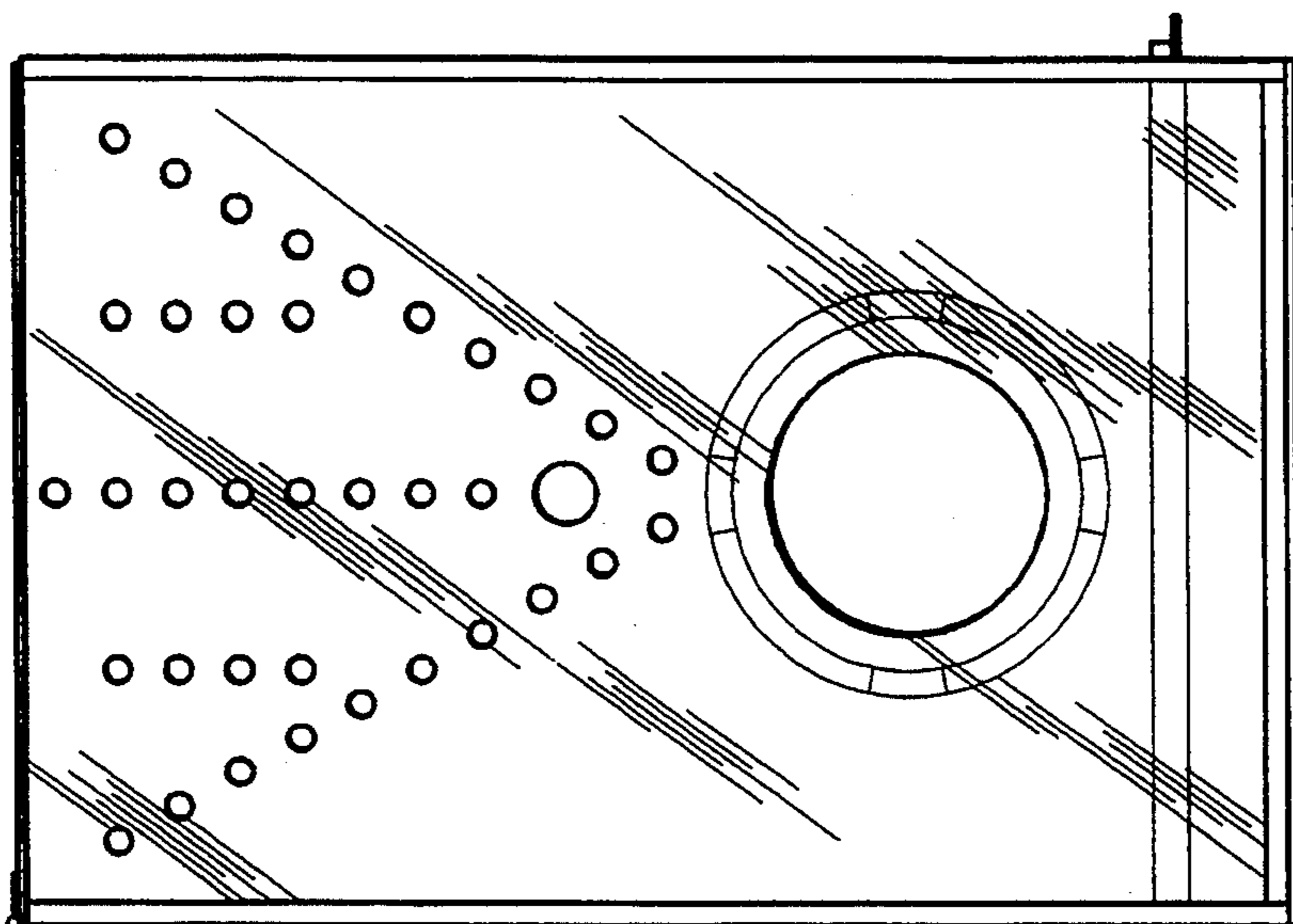


Fig. 4

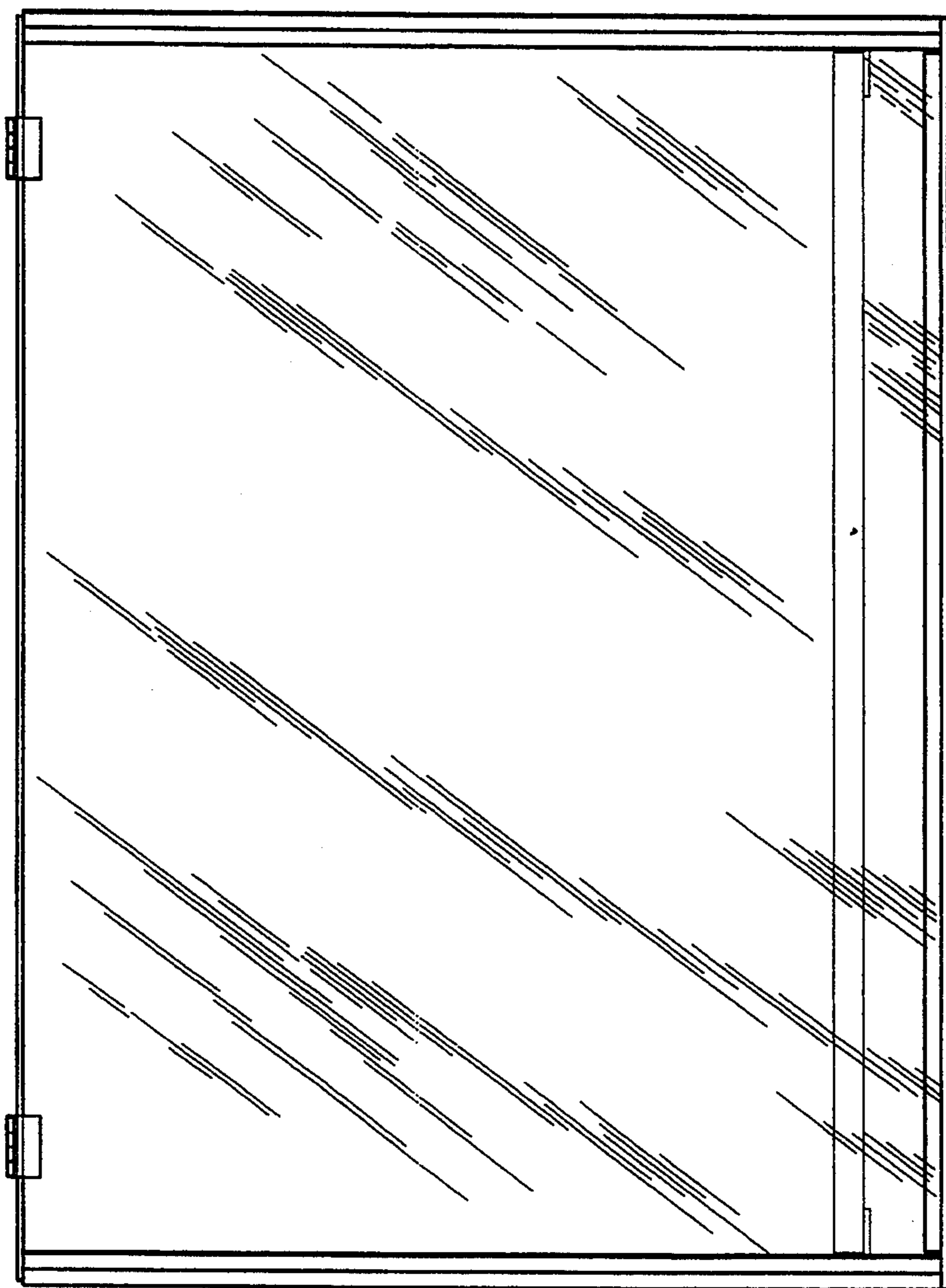


Fig. 7

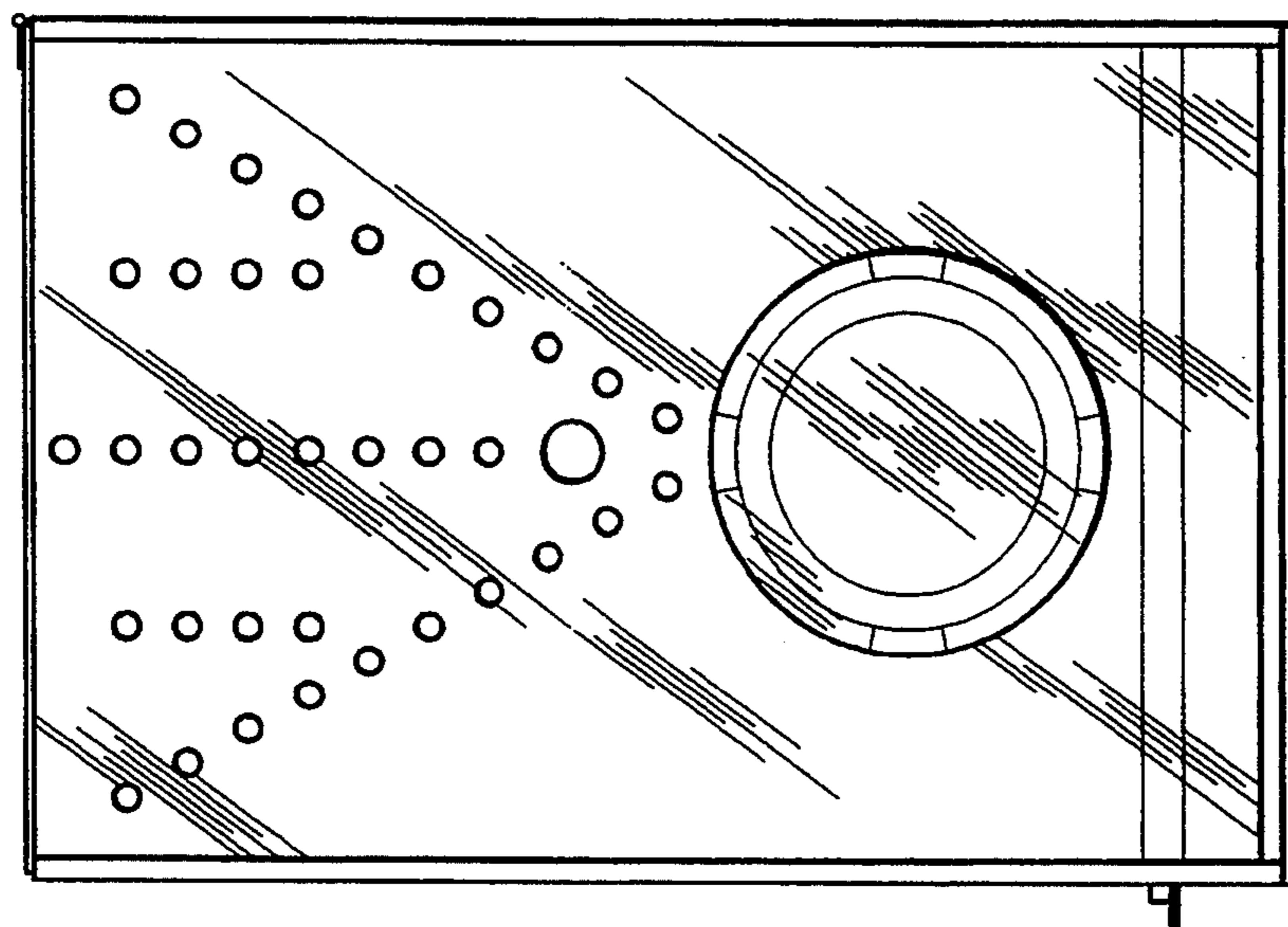


Fig. 6