



US00D353023S

United States Patent [19]
Chen

[11] **Patent Number: Des. 353,023**

[45] **Date of Patent: ** Nov. 29, 1994**

[54] **COSMETIC COMPACT**

[76] **Inventor: Jerry Chen, P.O. Box 82-144, Taipei,**

[**] **Term: 14 Years**

[21] **Appl. No.: 890,095**

[22] **Filed: May 29, 1992**

[52] **U.S. Cl. D28/79**

[58] **Field of Search D9/341, 347, 307, 328,
D9/430, 423; 123/293; 206/235, 581, 823;
220/DIG. 26; D28/77-83**

[56] **References Cited**

U.S. PATENT DOCUMENTS

D. 132,585	5/1942	Straus	D9/328
D. 276,470	11/1984	Lo	D28/78 X
D. 310,736	9/1990	Bakic	D28/82
D. 313,288	12/1990	Bakic	D28/77
D. 321,415	11/1991	Chen	D28/80

OTHER PUBLICATIONS

Hong Kong Enterprise, Oct. 1989, p. 372 item No. E1412.

Primary Examiner—Melvin B. Feifer

Assistant Examiner—C. Tuttle

Attorney, Agent, or Firm—Alfred Lei

[57] **CLAIM**

The ornamental design for a cosmetic compact, as shown and described.

DESCRIPTION

FIG. 1 is a perspective view of a cosmetic compact showing my new design;

FIG. 2 is a front view thereof;

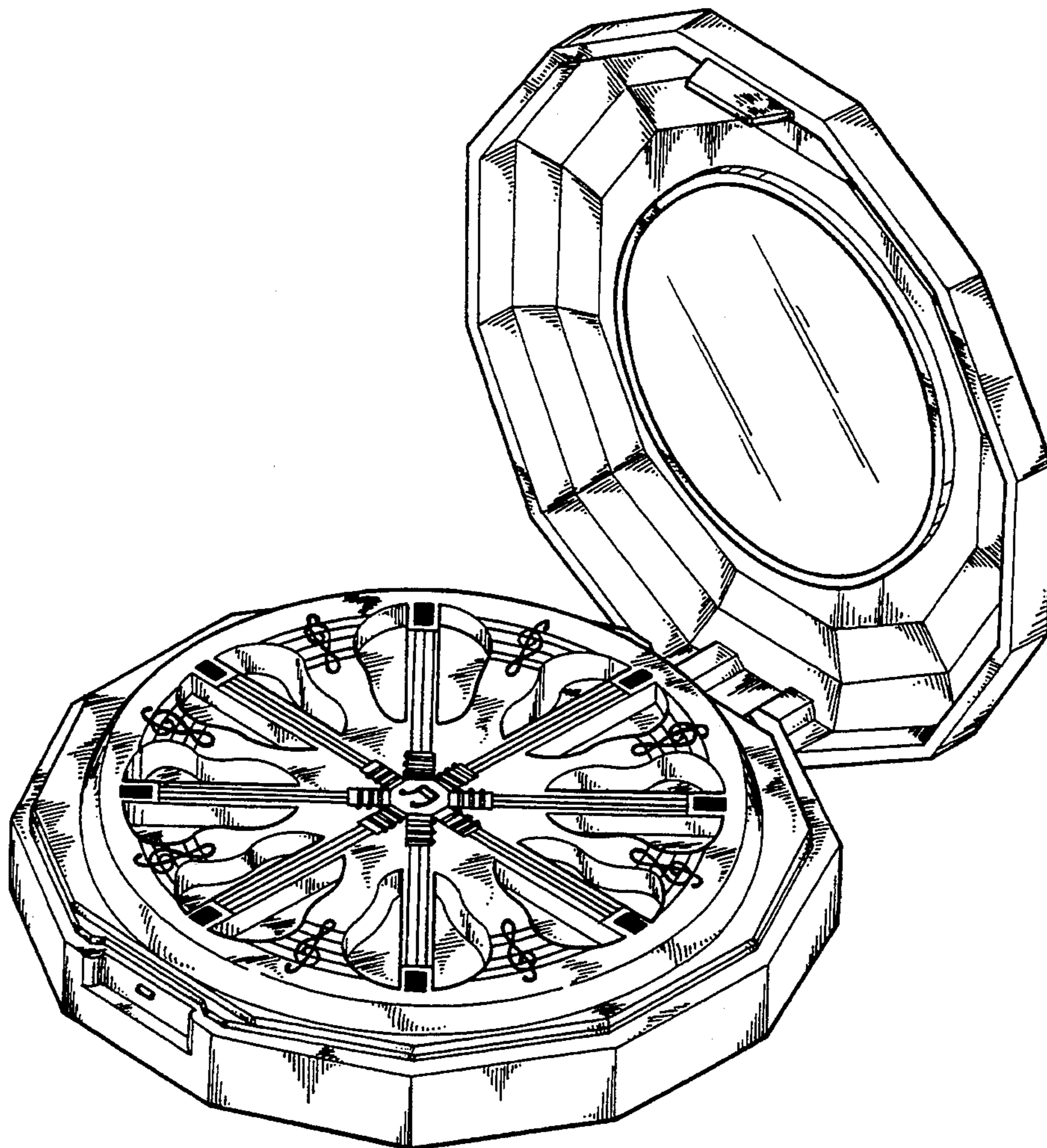
FIG. 3 is a rear view thereof;

FIG. 4 is a right side elevational view thereof;

FIG. 5 is a left side elevational view thereof;

FIG. 6 is a top plan view thereof; and,

FIG. 7 is a bottom plan view thereof.



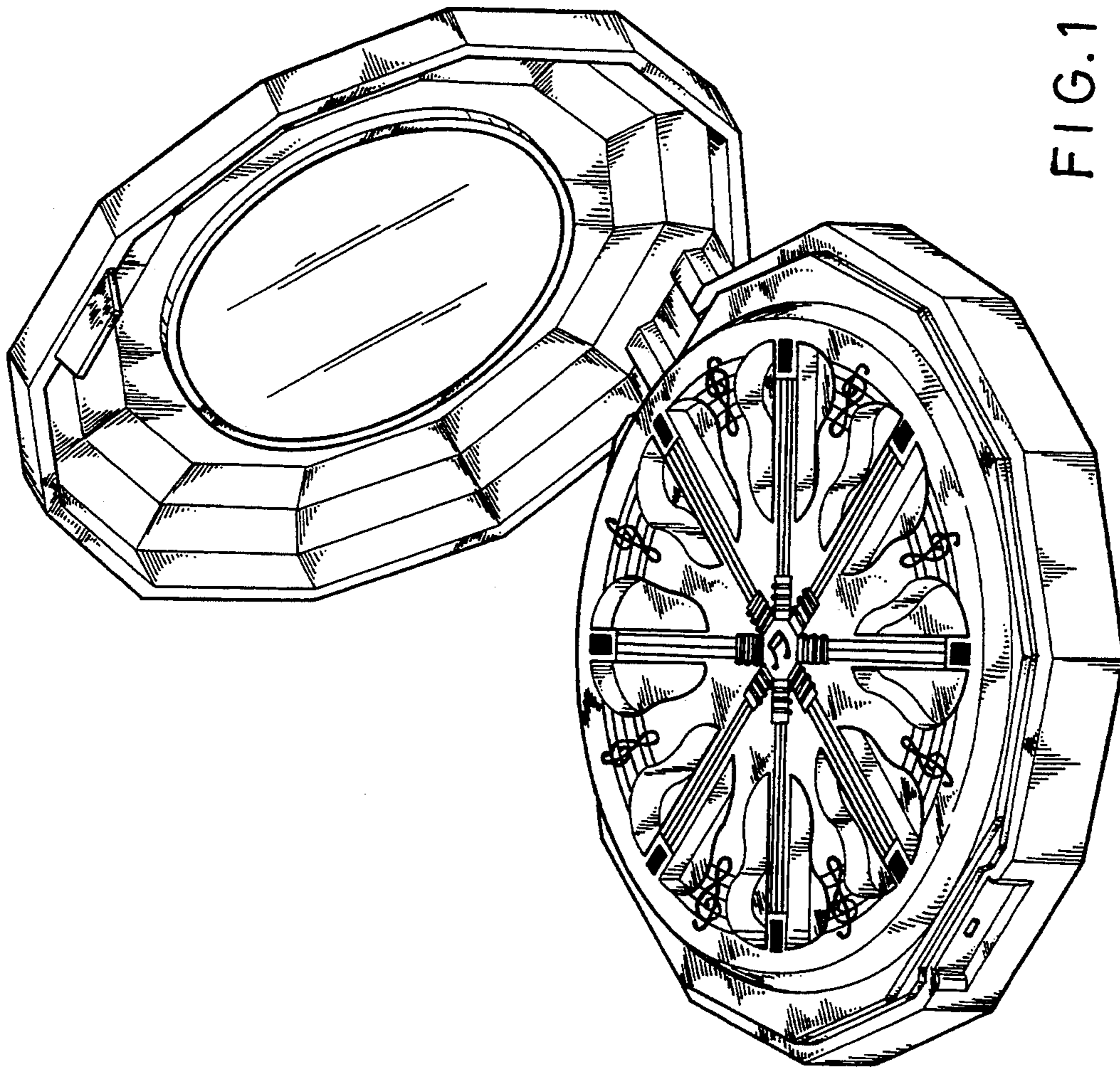


FIG. 1

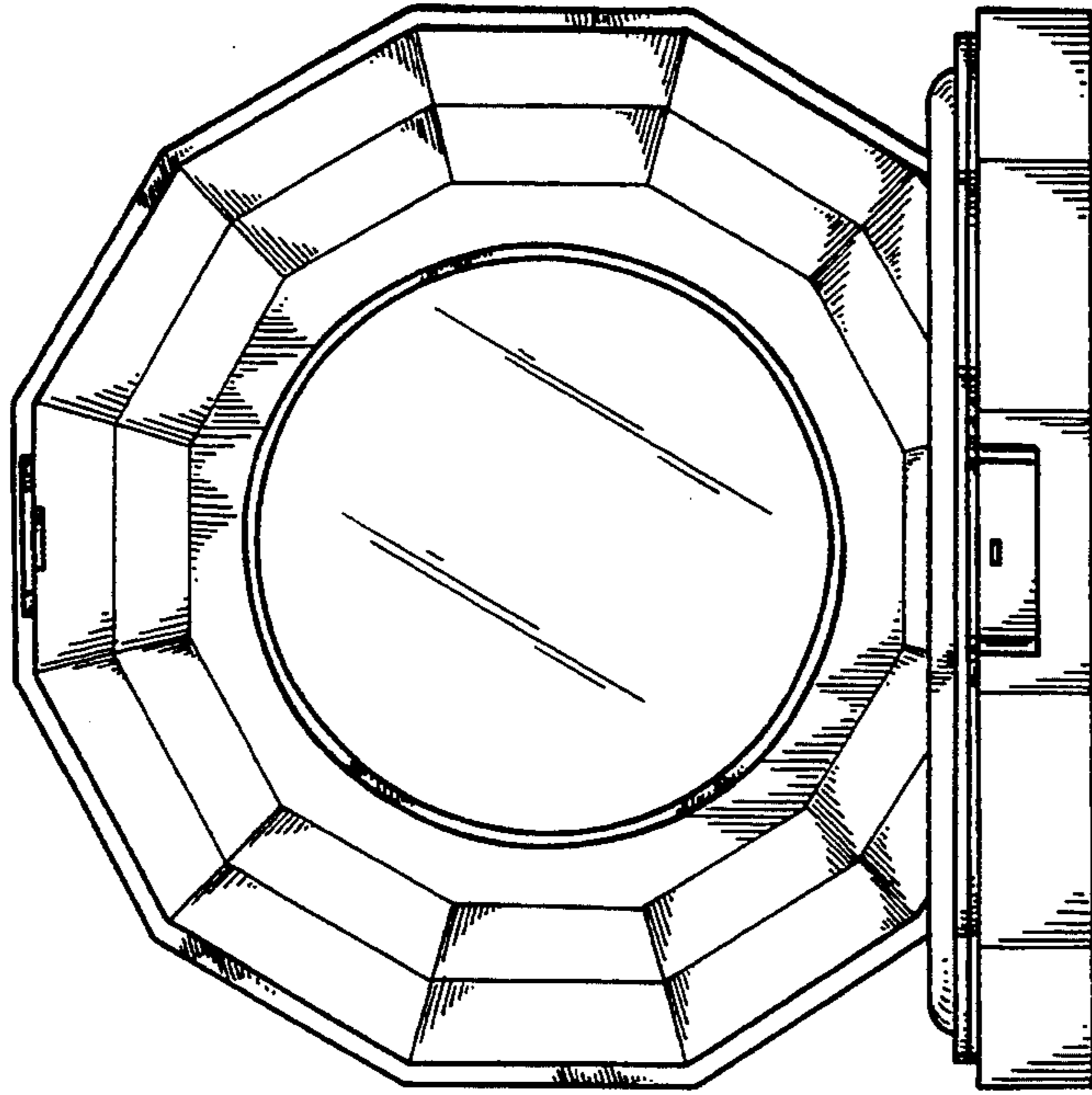


FIG. 2

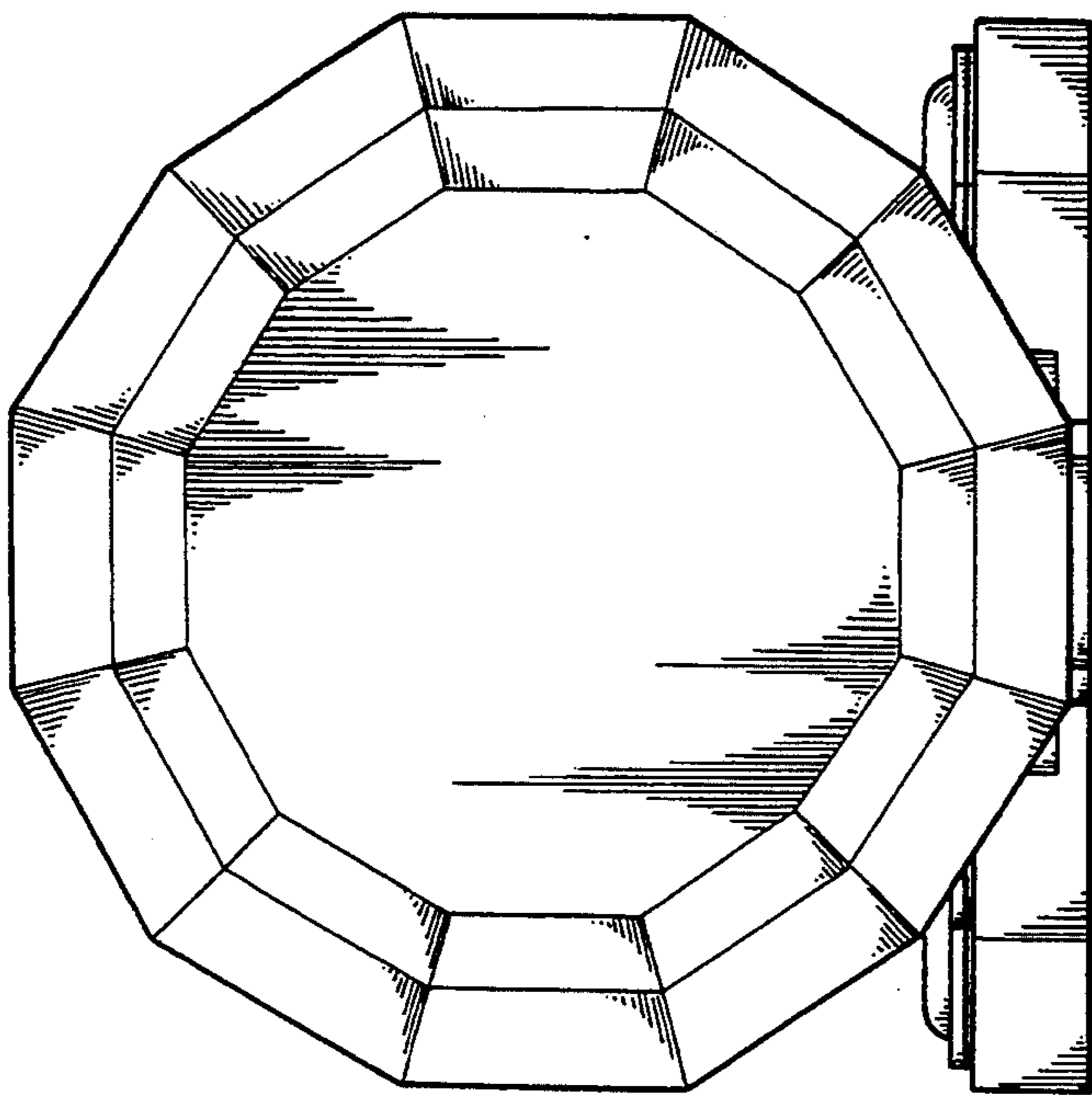


FIG. 3

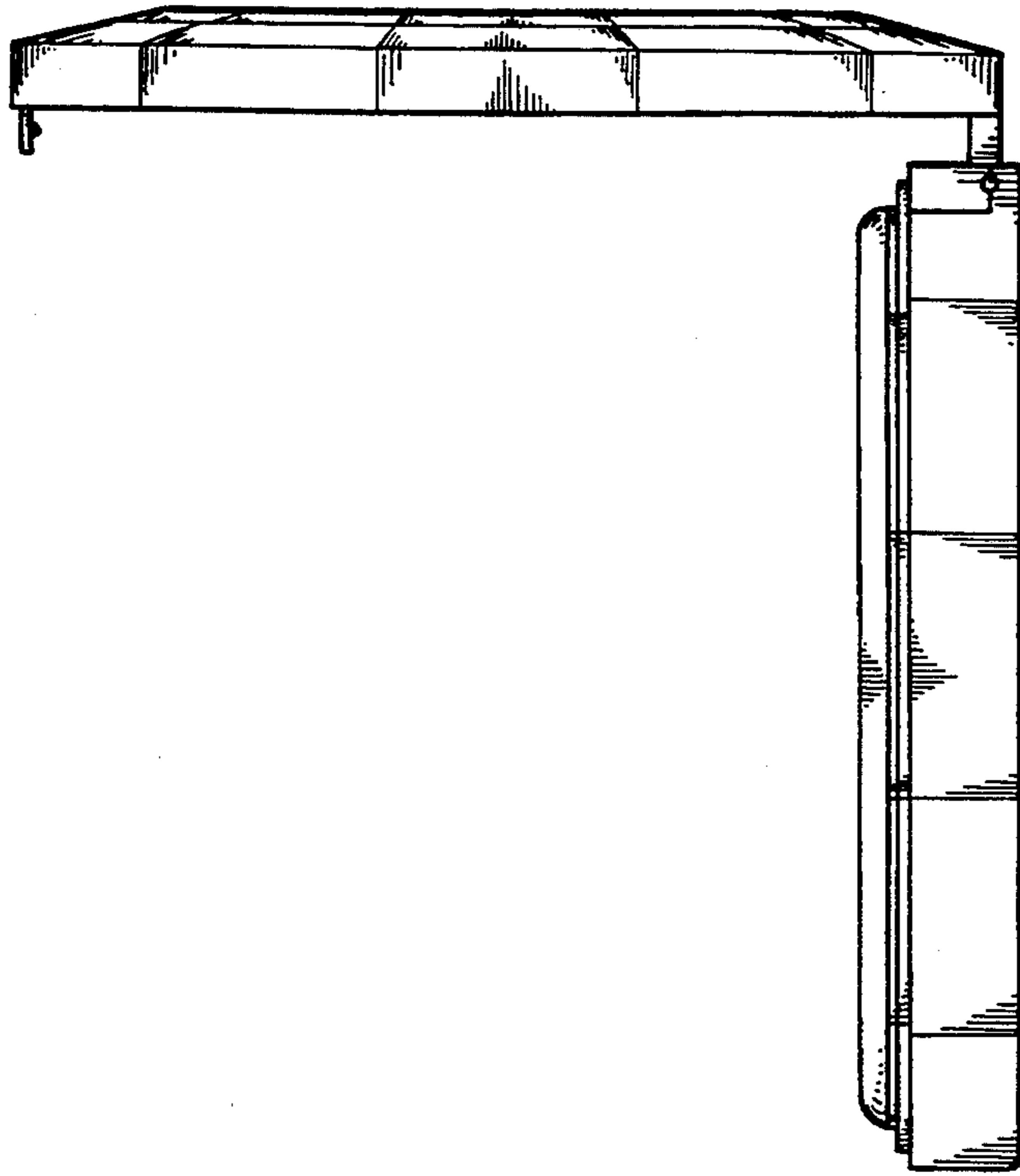


FIG. 4

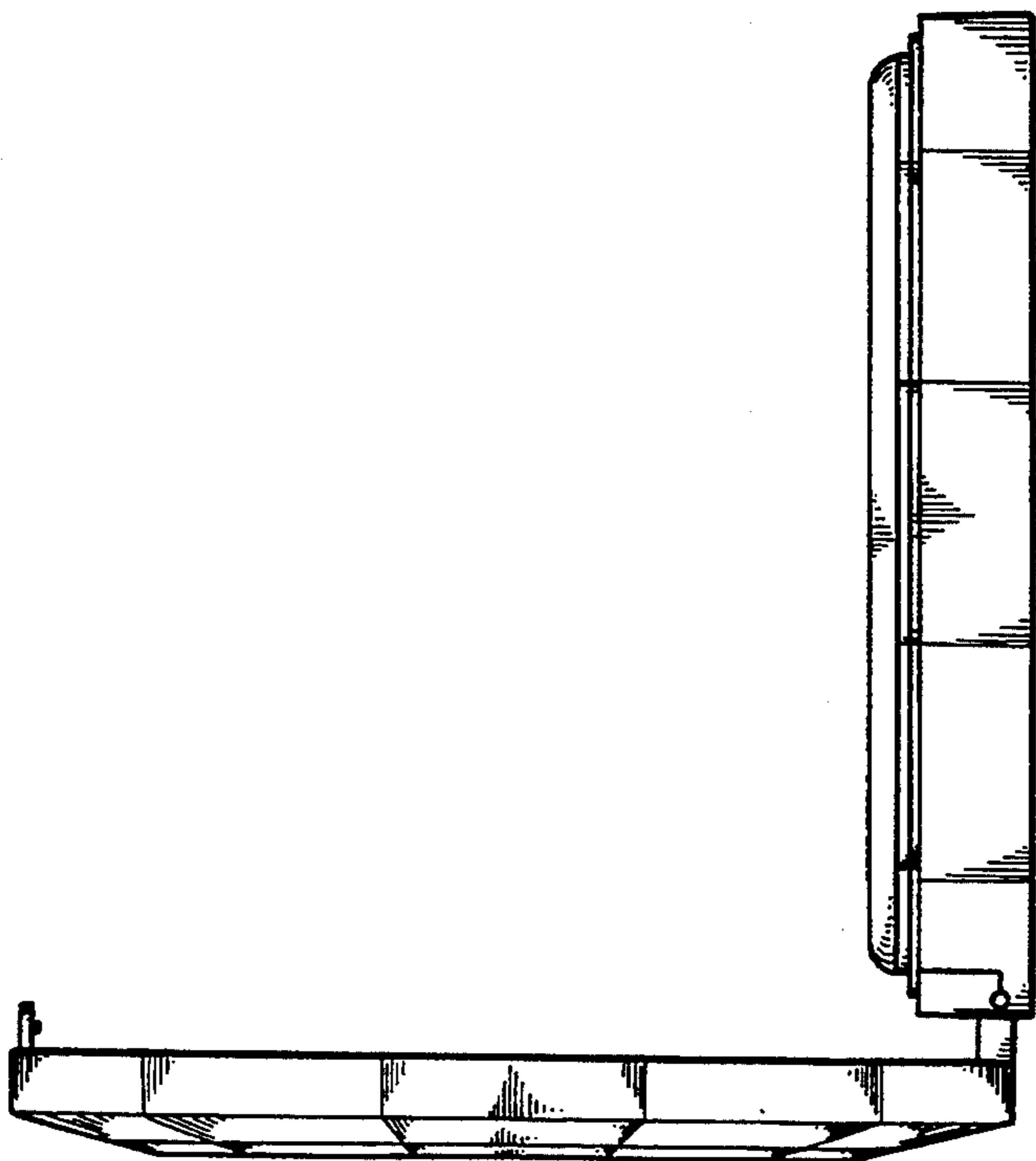


FIG. 5

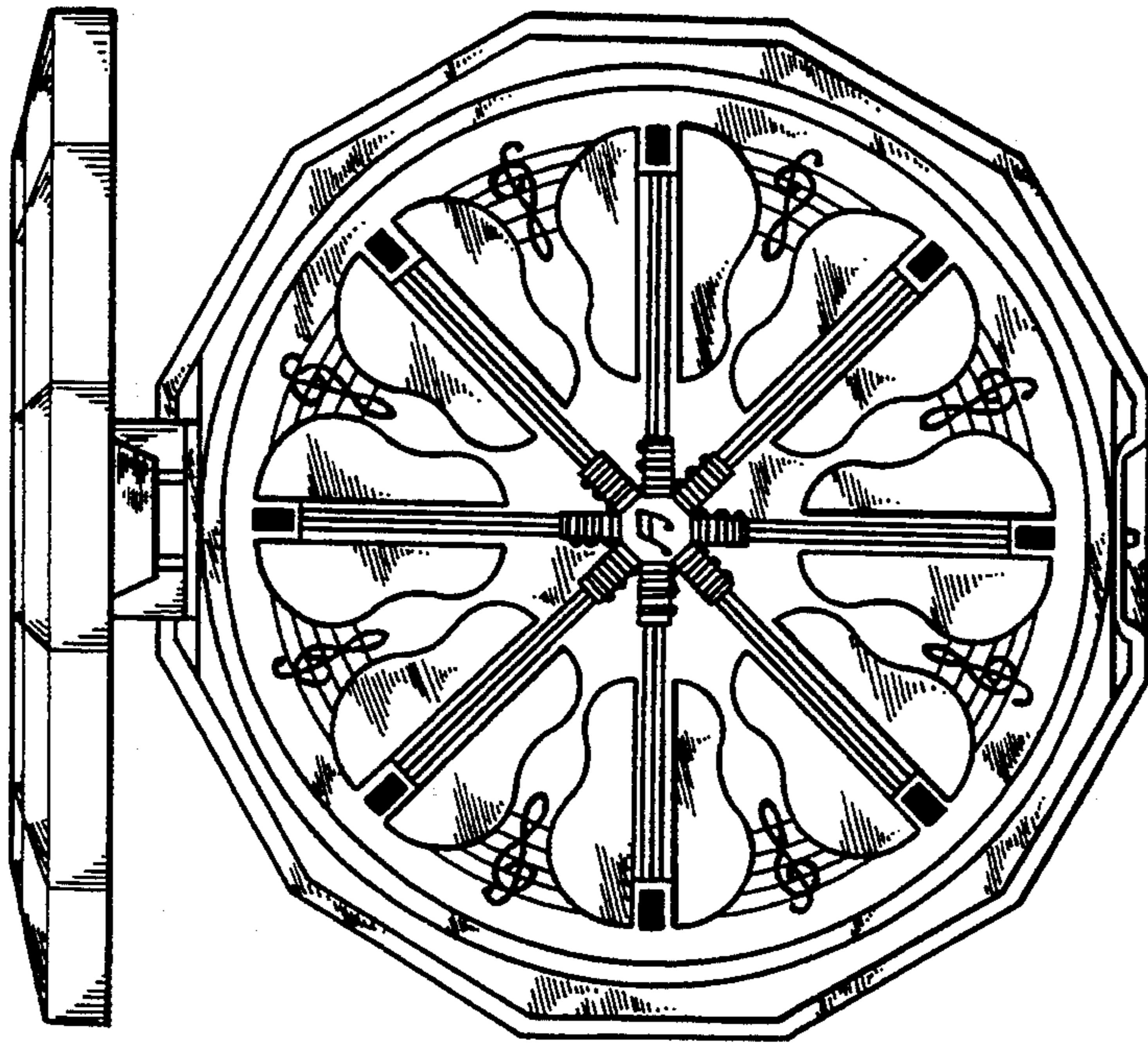


FIG. 6

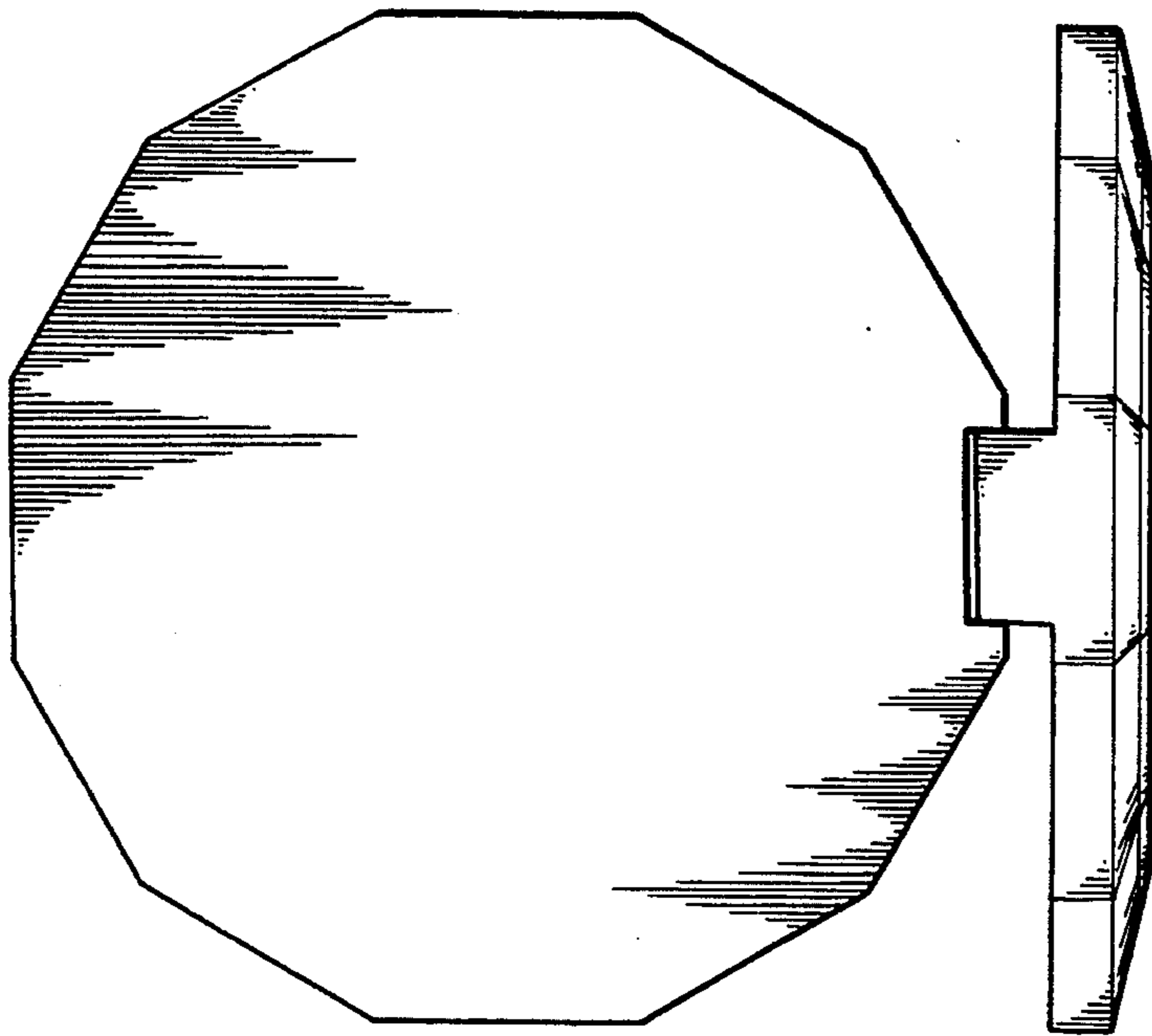


FIG. 7