



US00D353018S

# United States Patent [19]

[11] Patent Number: **Des. 353,018**

Froidevaux

[45] Date of Patent: **\*\* Nov. 29, 1994**

[54] **WALL HAIR DRYER**

[75] Inventor: **Jean-Marie Froidevaux, Carouge, Switzerland**

[73] Assignee: **Aliseo Diffusion S.A., Switzerland**

[\*\*] Term: **14 Years**

[21] Appl. No.: **856,945**

[22] Filed: **Mar. 24, 1992**

[52] U.S. Cl. .... **D28/12**

[58] Field of Search ..... **34/96-101; 392/380; D28/12**

D. 314,839	2/1991	Ho	.....	D28/12
D. 317,514	6/1991	Sasso	.....	D28/12
4,700,049	10/1987	Rubin	.	
4,735,002	4/1988	Rath	.....	34/97

*Primary Examiner*—Bernard Ansher  
*Assistant Examiner*—C. Tuttle  
*Attorney, Agent, or Firm*—Davis, Bujold & Streck

[57] **CLAIM**

The ornamental design for wall hair dryer, as shown.

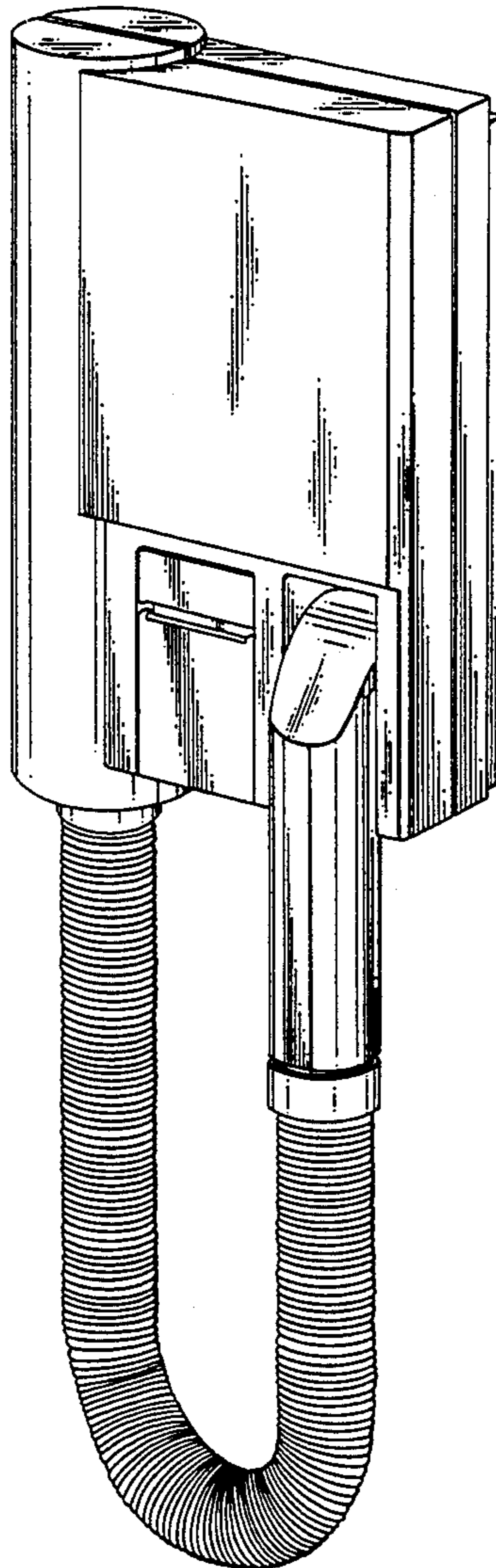
**DESCRIPTION**

FIG. 1 is a perspective view;  
FIG. 2 is a right side elevational view;  
FIG. 3 is a front elevational view;  
FIG. 4 is a left side elevational view;  
FIG. 5 is a rear elevational view;  
FIG. 6 is a top plan view; and,  
FIG. 7 is a bottom plan view.

[56] **References Cited**

**U.S. PATENT DOCUMENTS**

D. 294,741	3/1988	Froidevaux	.....	D28/12
D. 304,096	10/1989	Nithardt	.....	D28/12
D. 312,892	12/1990	Eberts	.....	D28/12



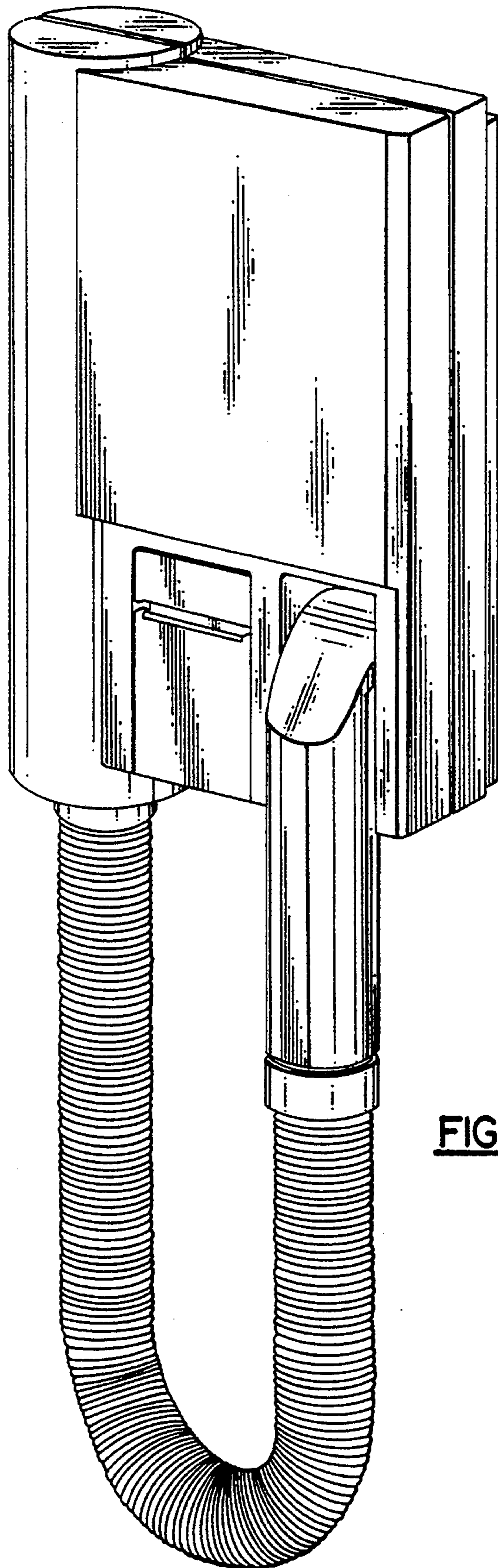
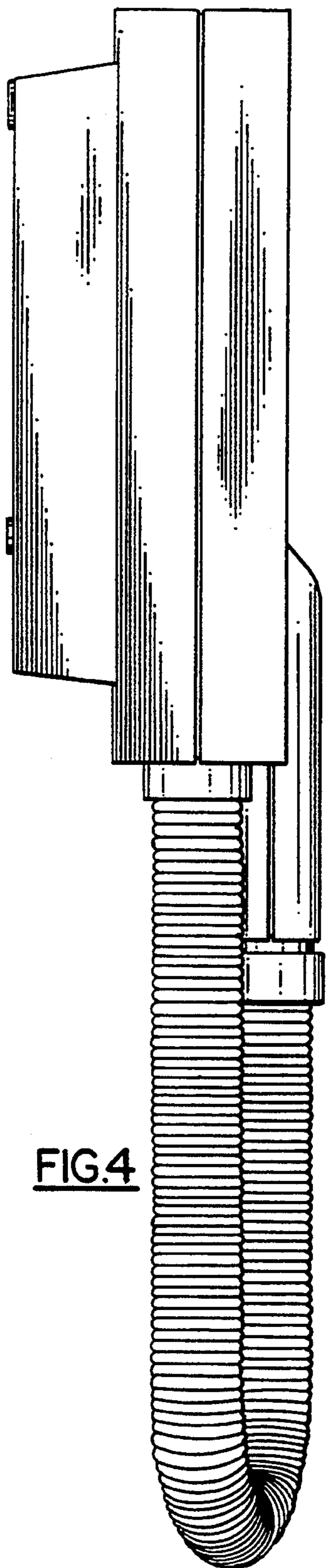
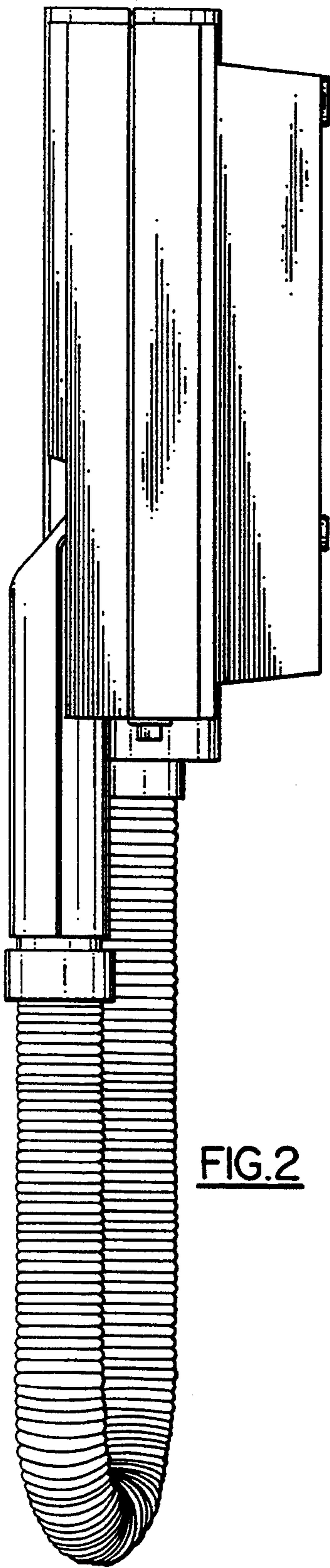


FIG. 1



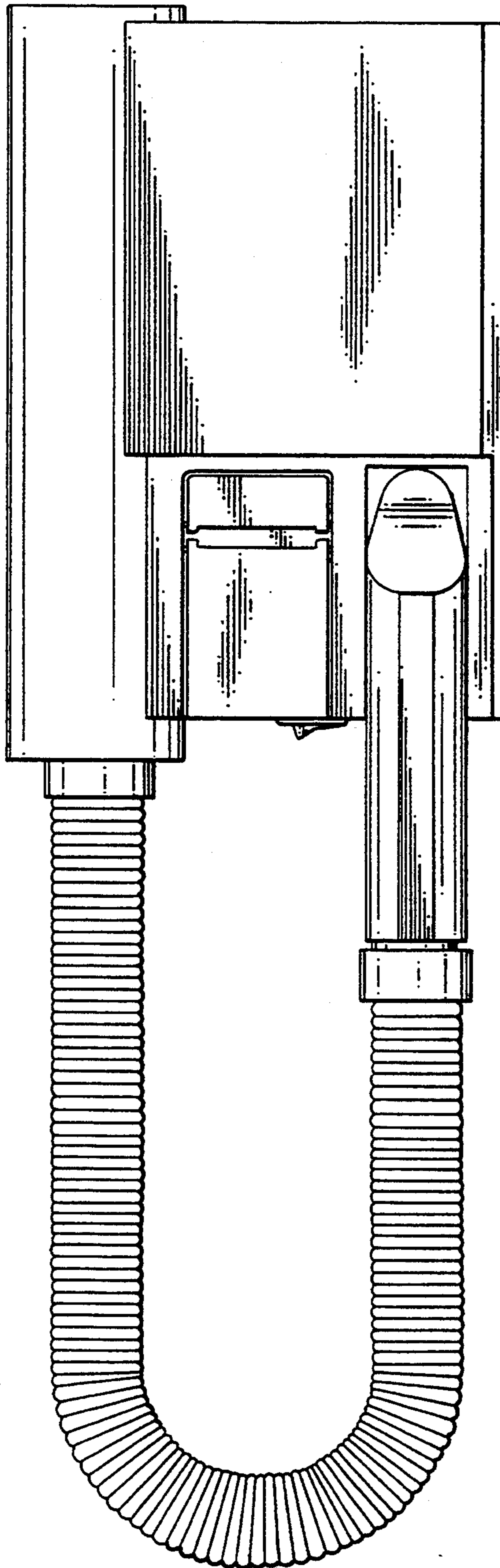


FIG.3



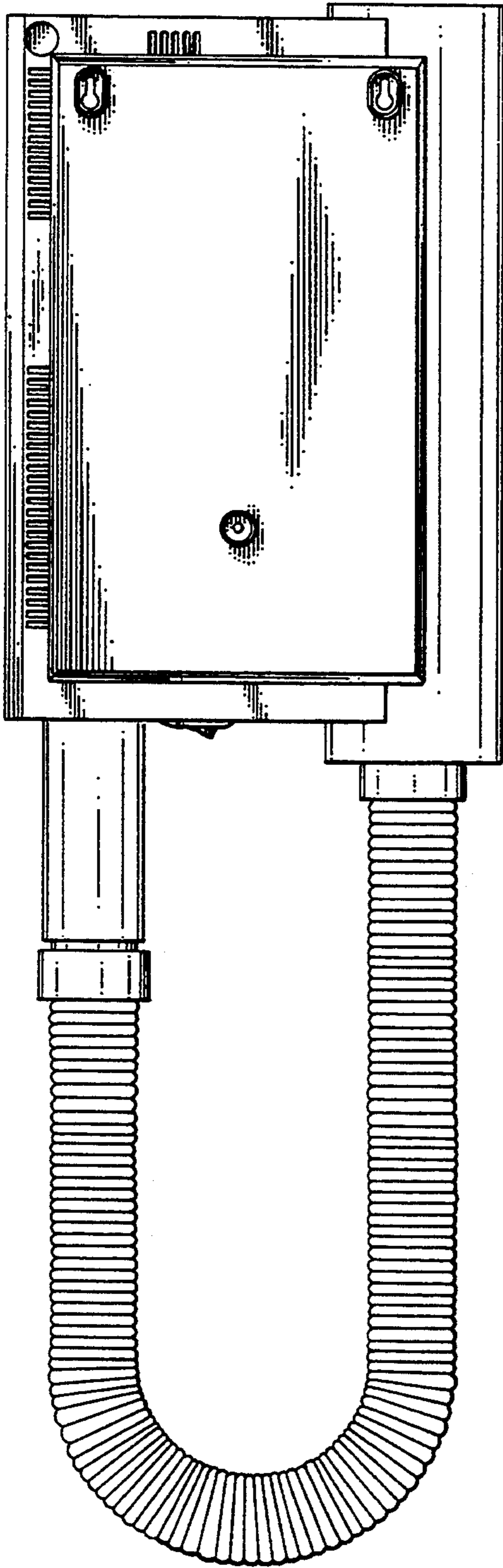


FIG. 5

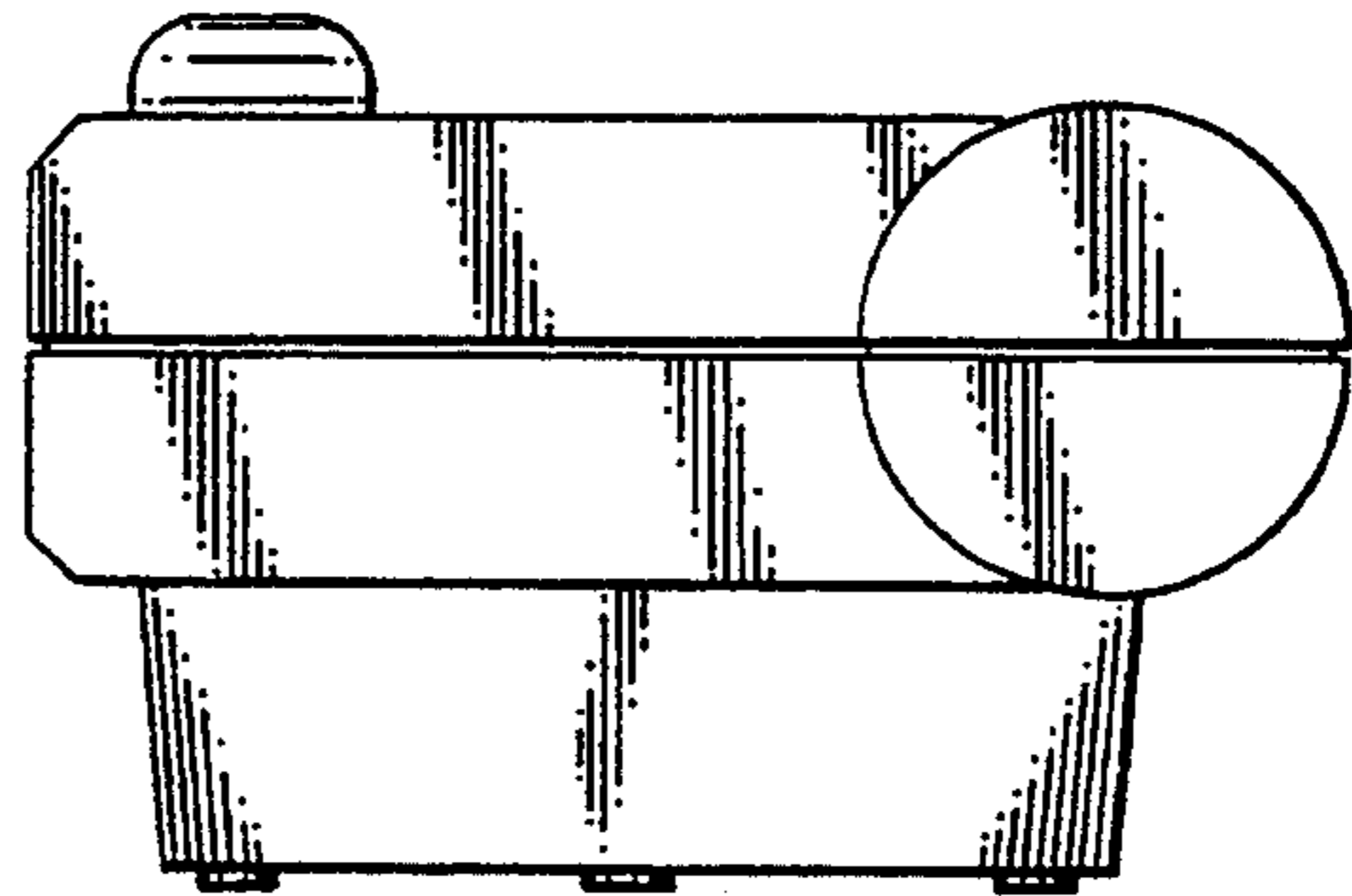


FIG. 6

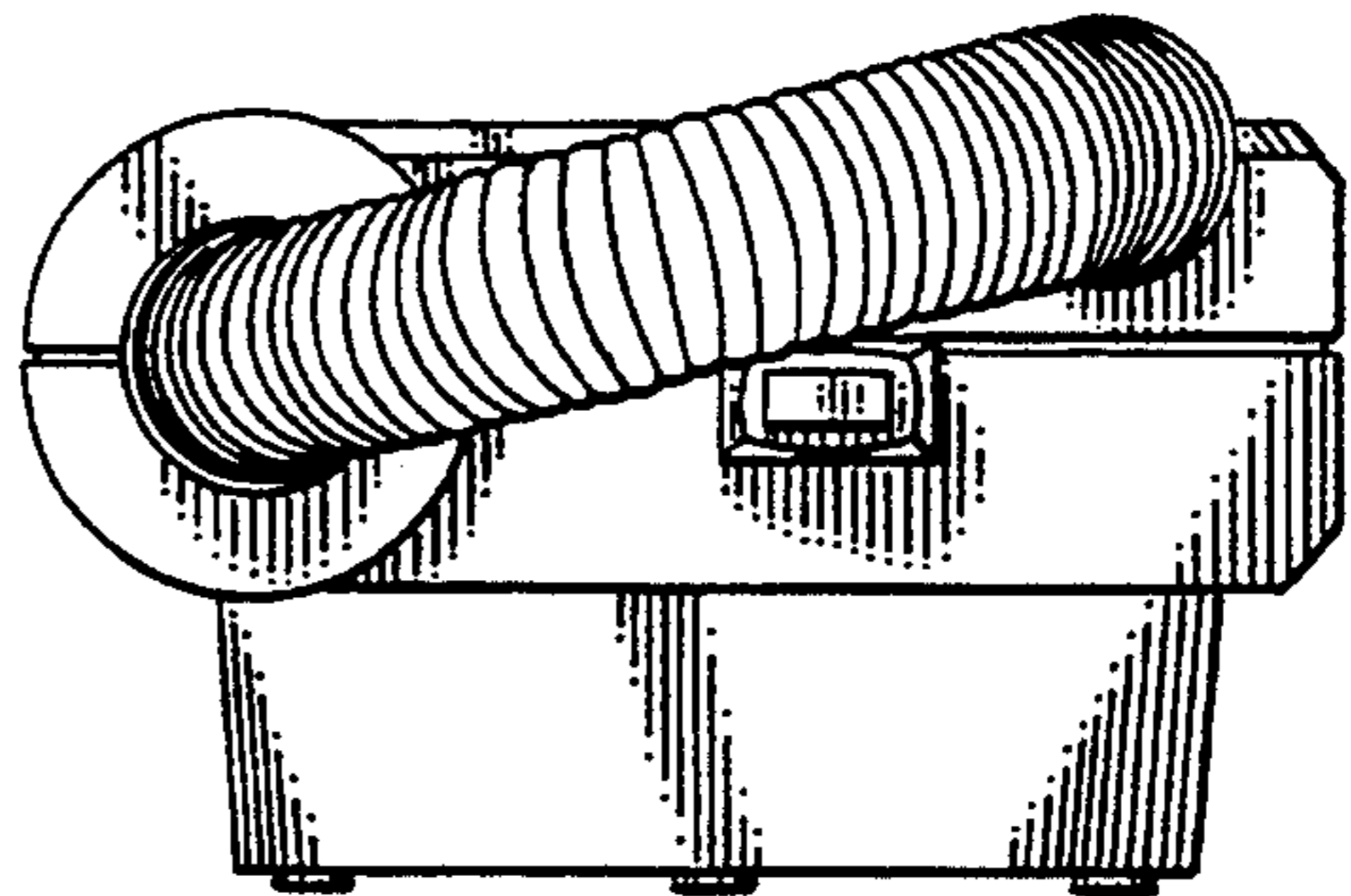


FIG. 7