



US00D353016S

United States Patent [19]

[11] Patent Number: **Des. 353,016**

Mason

[45] Date of Patent: **** Nov. 29, 1994**

[54] DECORATIVE CHANDELIER SUPPORT

[76] Inventor: **Jean C. Mason, 2777 Woodshire Dr., Hollywood, Calif. 90068**

[**] Term: **14 Years**

[21] Appl. No.: **8,176**

[22] Filed: **May 10, 1993**

[52] U.S. Cl. **D26/138; D6/556; D6/566; D26/90**

[58] Field of Search **362/147, 404-408; 248/317, 318; D6/556, 566; D26/72, 80-92, 138, 140**

[56] References Cited

U.S. PATENT DOCUMENTS

D. 42,713	7/1912	Schepmoes	D26/90
D. 54,232	12/1919	Cohn	D26/90
D. 87,213	6/1932	Hoffmann	D26/90
837,349	12/1906	Smith	362/407
1,142,597	6/1915	Manwaring	362/408
2,218,820	10/1940	Hillberg	248/317 X
4,057,210	11/1977	Wellman	248/318
4,117,630	10/1978	Kalas	248/318 X
4,181,234	1/1980	Feighan	248/318 X

Primary Examiner—Susan J. Lucas
Attorney, Agent, or Firm—Saidman DesignLaw Group

[57] CLAIM

The ornamental design for a decorative chandelier support, as shown and described.

DESCRIPTION

FIG. 1 is a perspective view of a decorative chandelier support showing a first preferred embodiment of my new design;

FIG. 2 is a front elevational view thereof;

FIG. 3 is a left side view in elevation thereof;

FIG. 4 is a right side view in elevation thereof;

FIG. 5 is a top view thereof;

FIG. 6 is a bottom view thereof;

FIG. 7 is a perspective view of a decorative chandelier support showing a second preferred embodiment of my new design;

FIG. 8 is a front view in elevation of the second embodiment of FIG. 7, the rear view being identical;

FIG. 9 is a left side view in elevation of the second embodiment of FIG. 7, the right side view being identical;

FIG. 10 is a bottom view of the second embodiment of FIG. 7; and,

FIG. 11 is a top view of the second embodiment of FIG. 7.

The broken lines are environmental only and form no part of the claimed design.

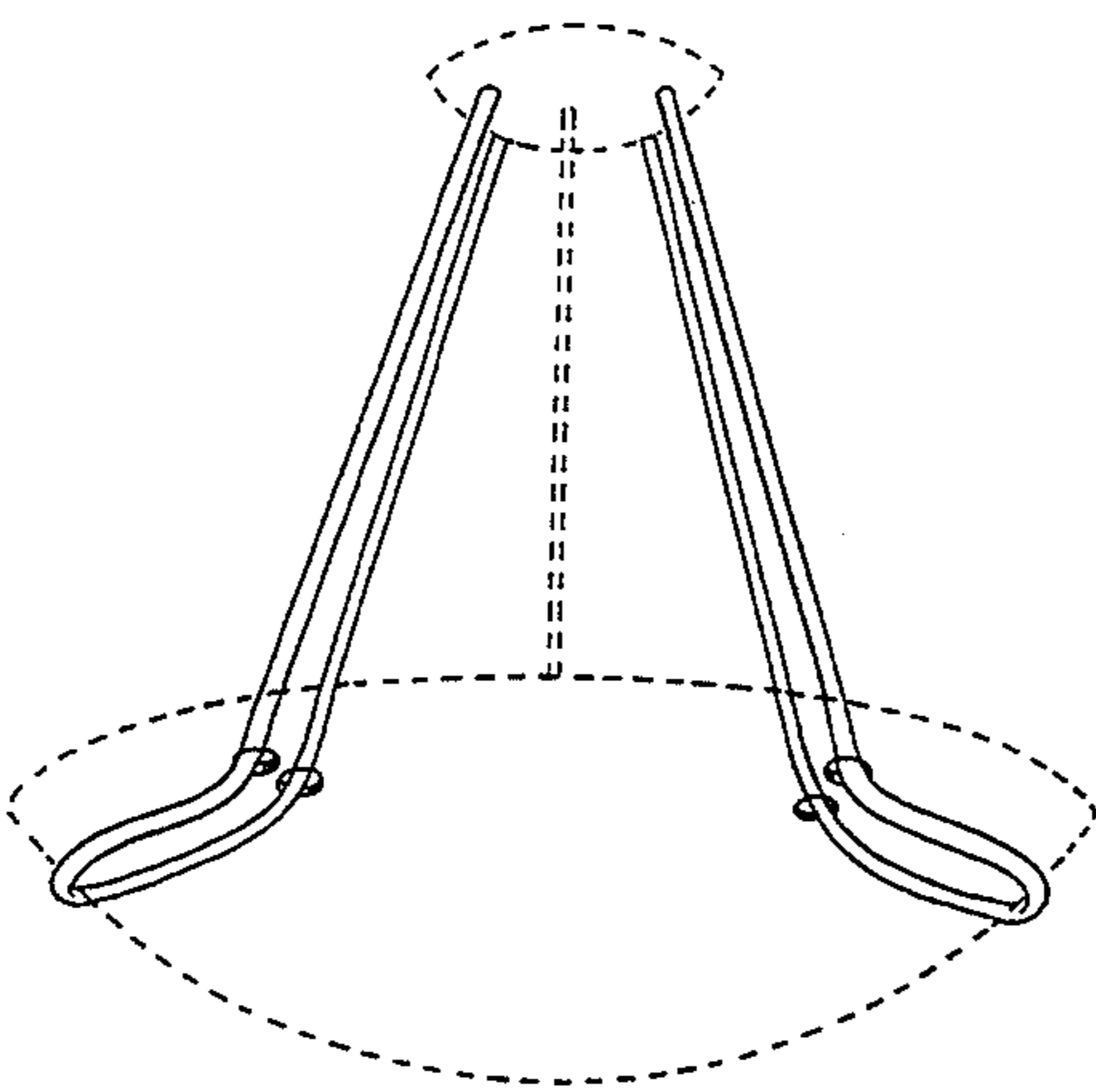
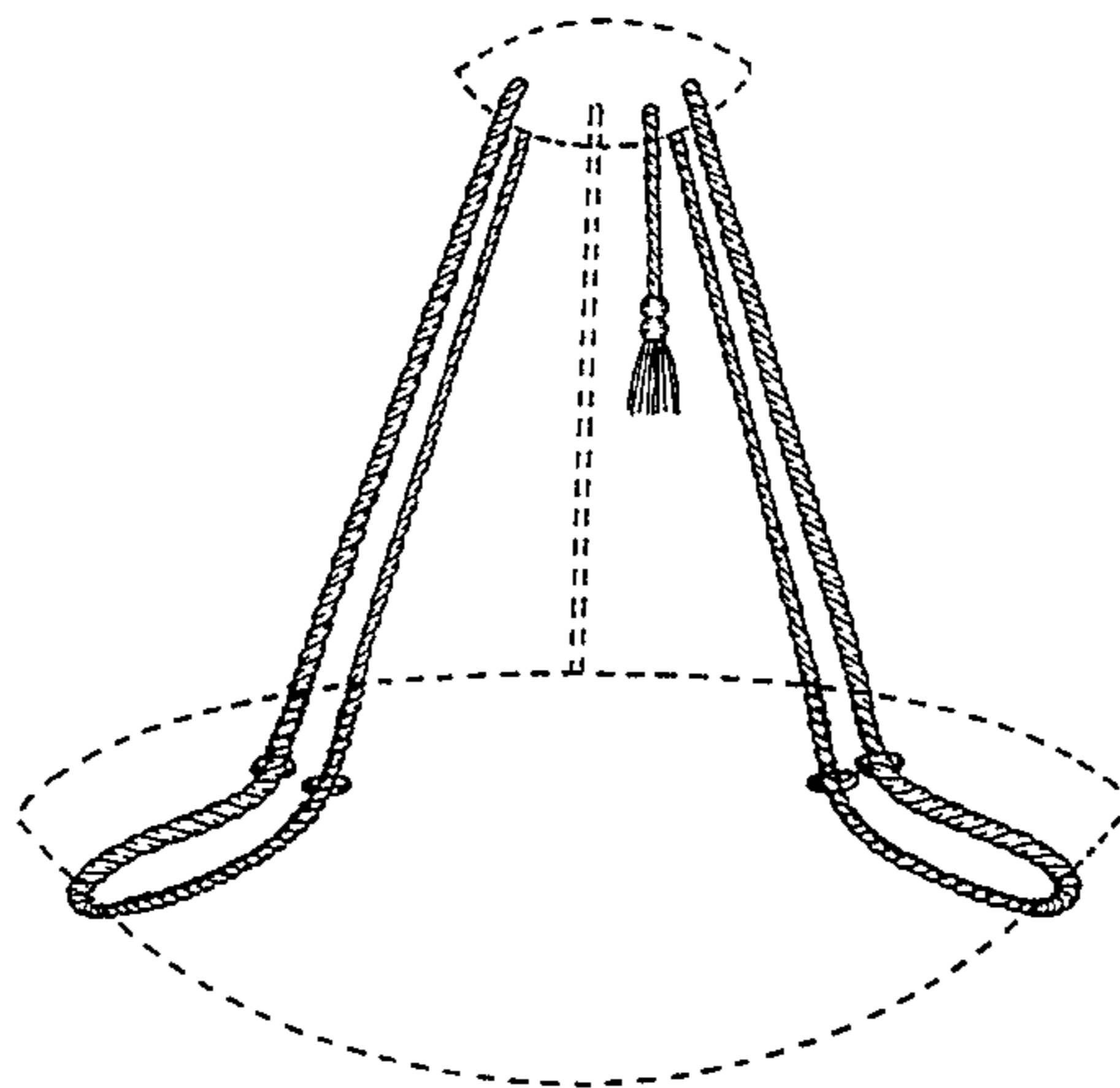


FIG. 1

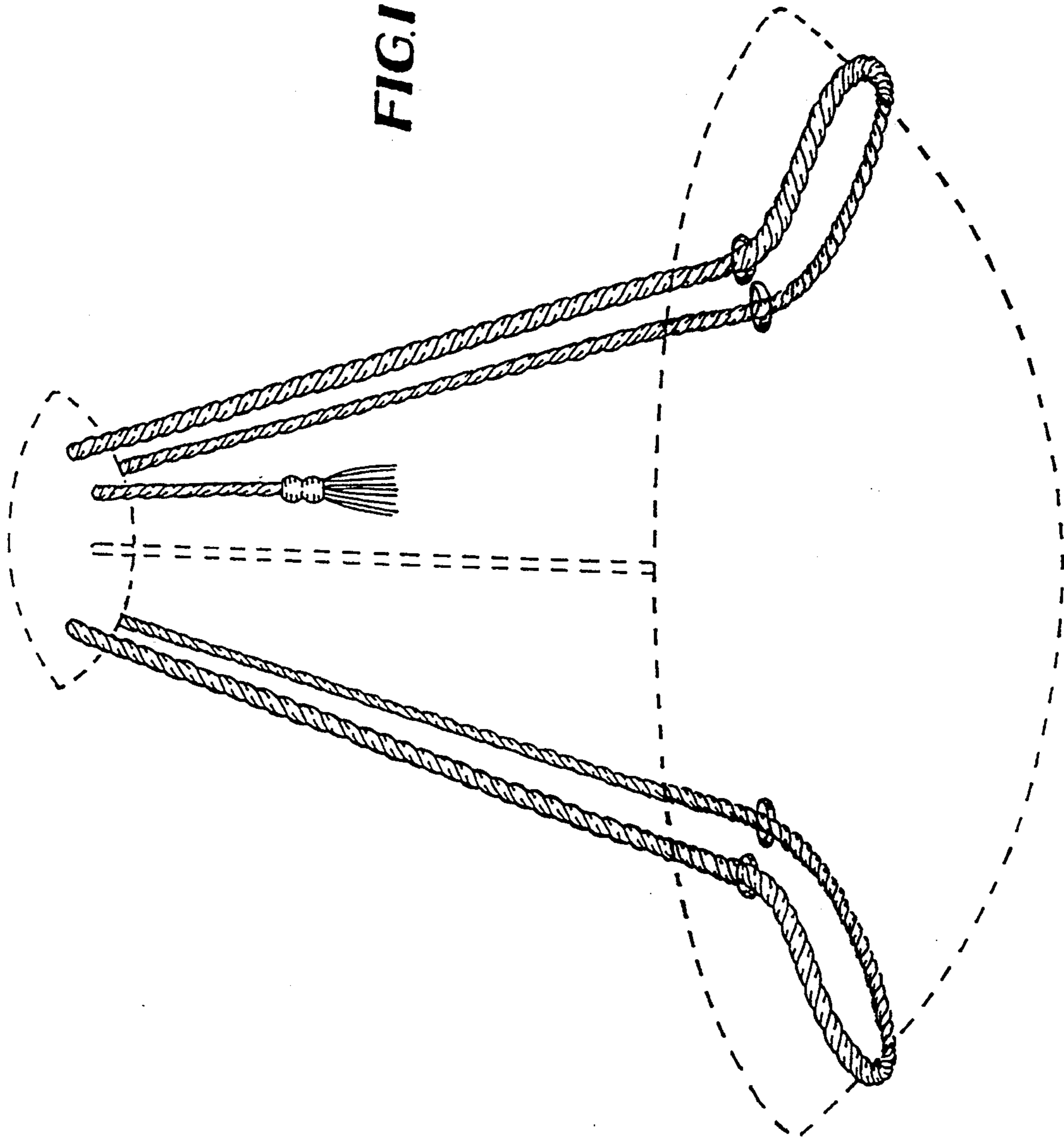
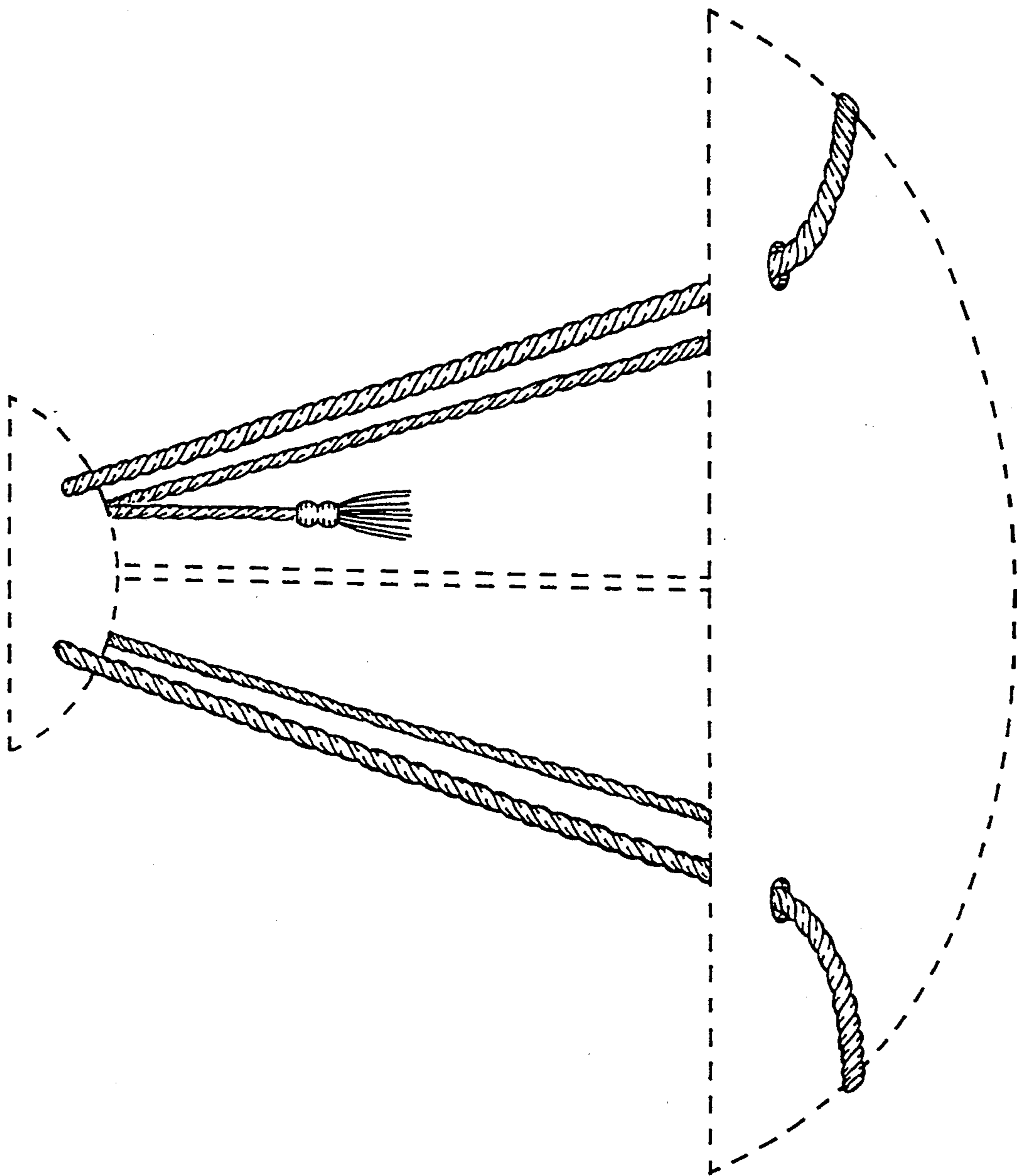


FIG. 2



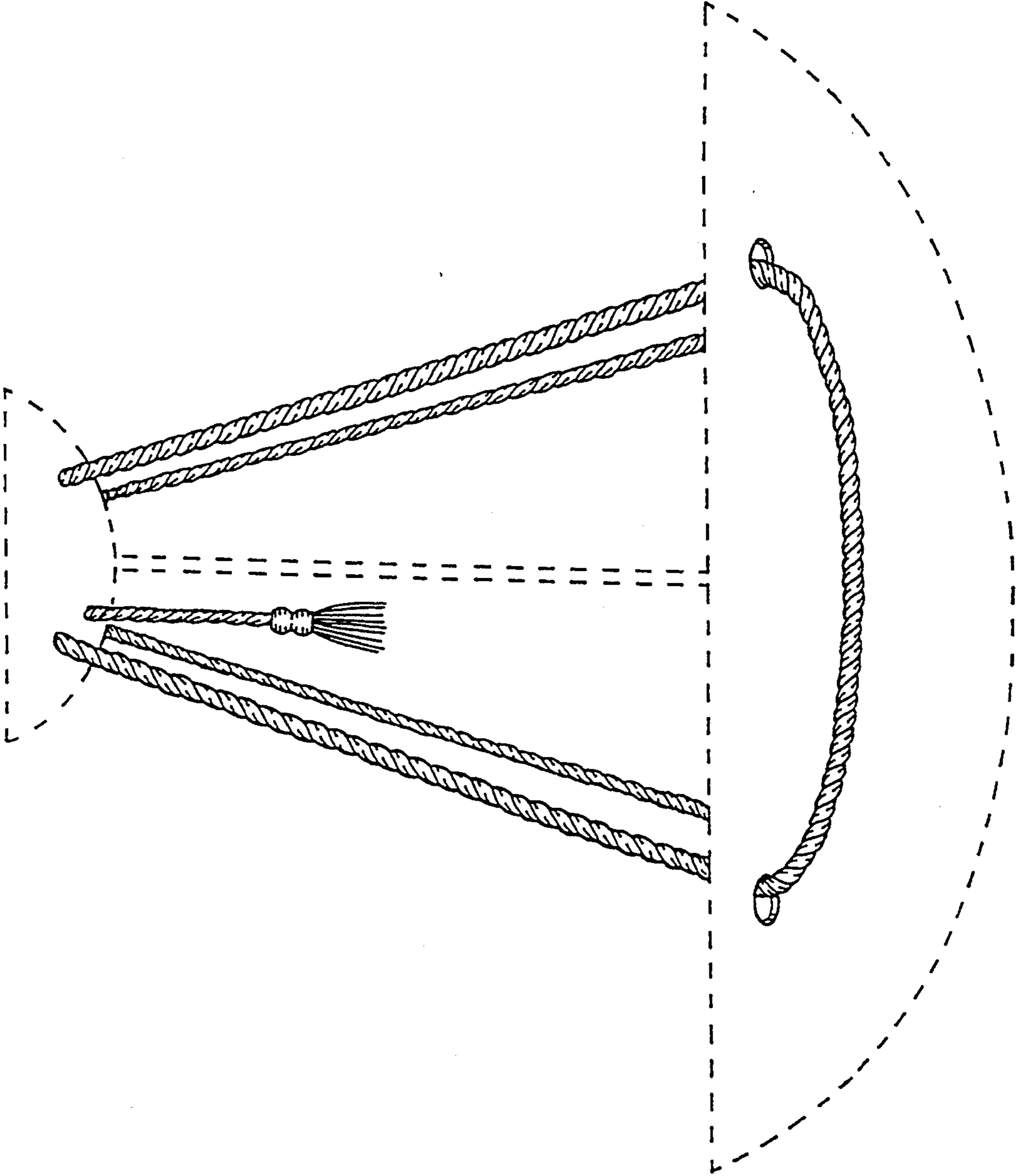


FIG. 3

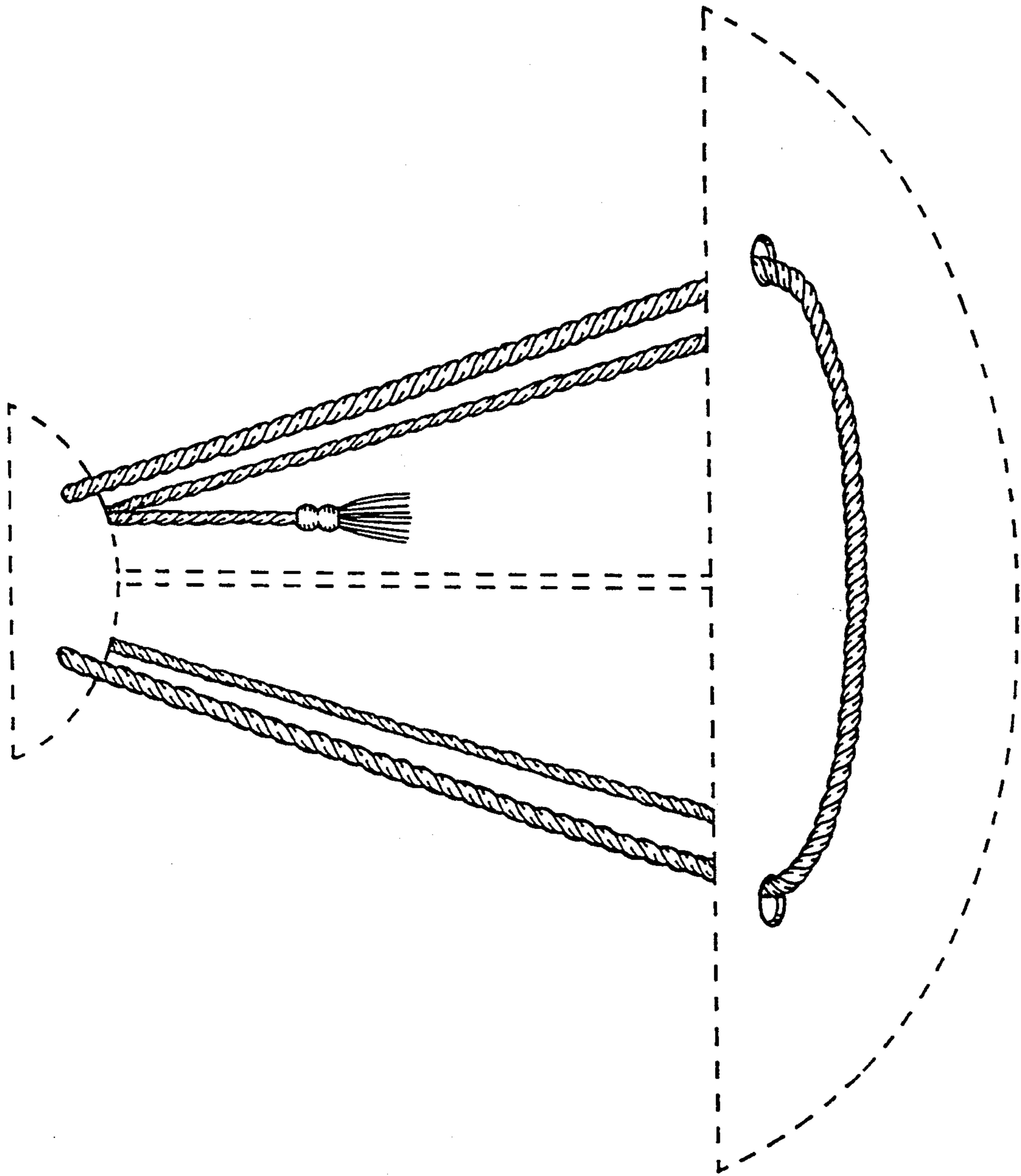


FIG. 4

FIG. 5

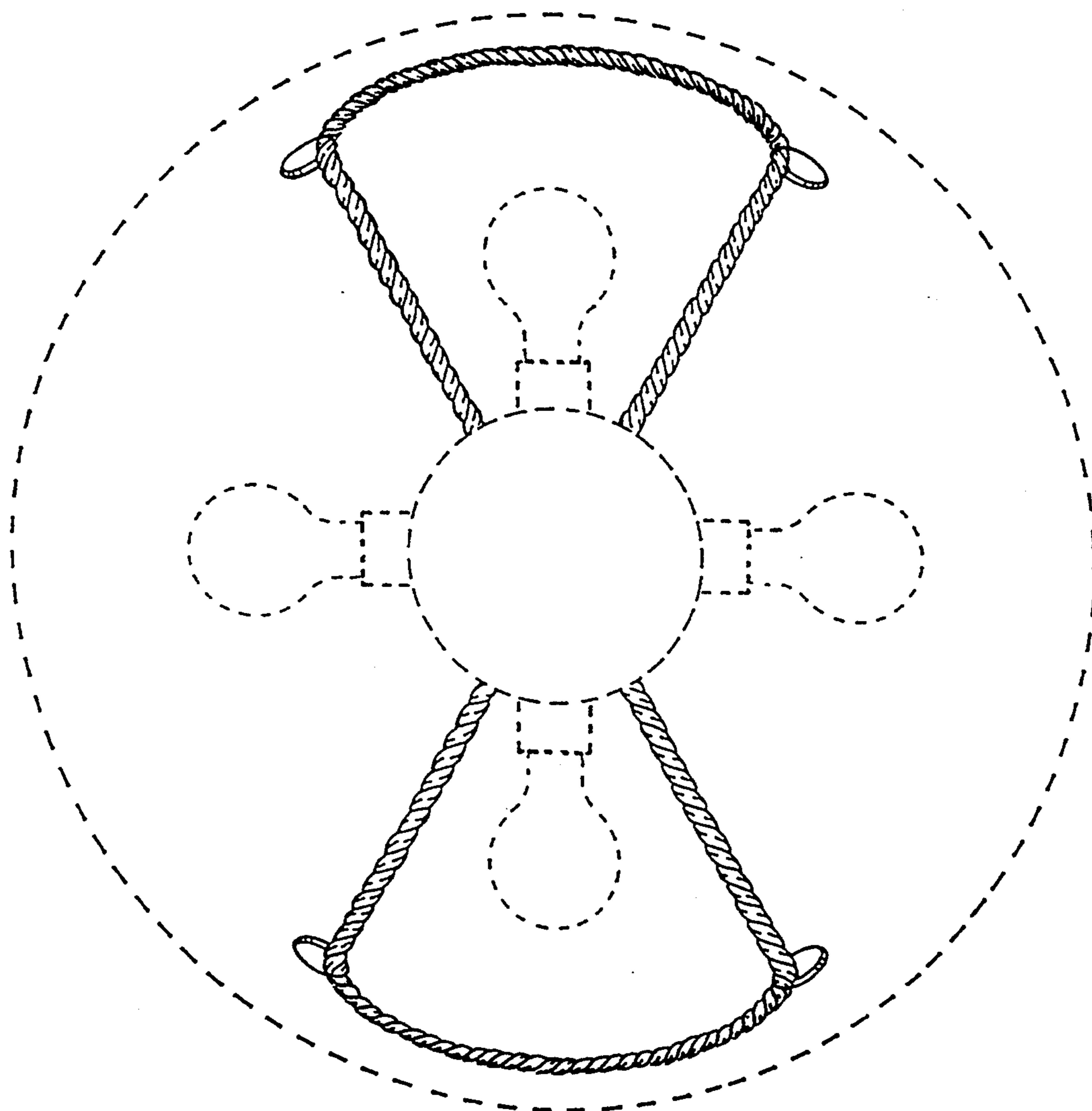


FIG. 6

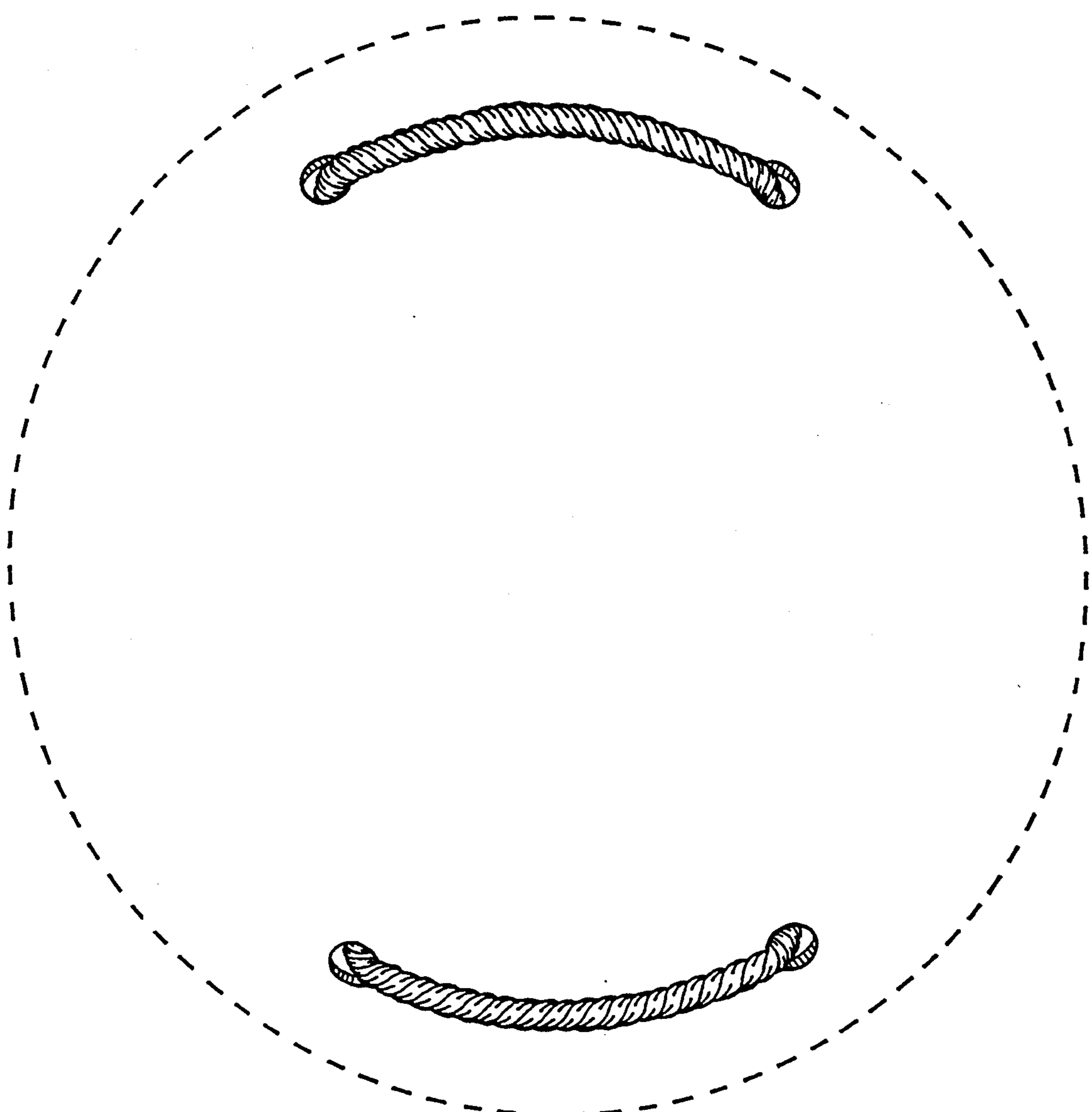


FIG. 7

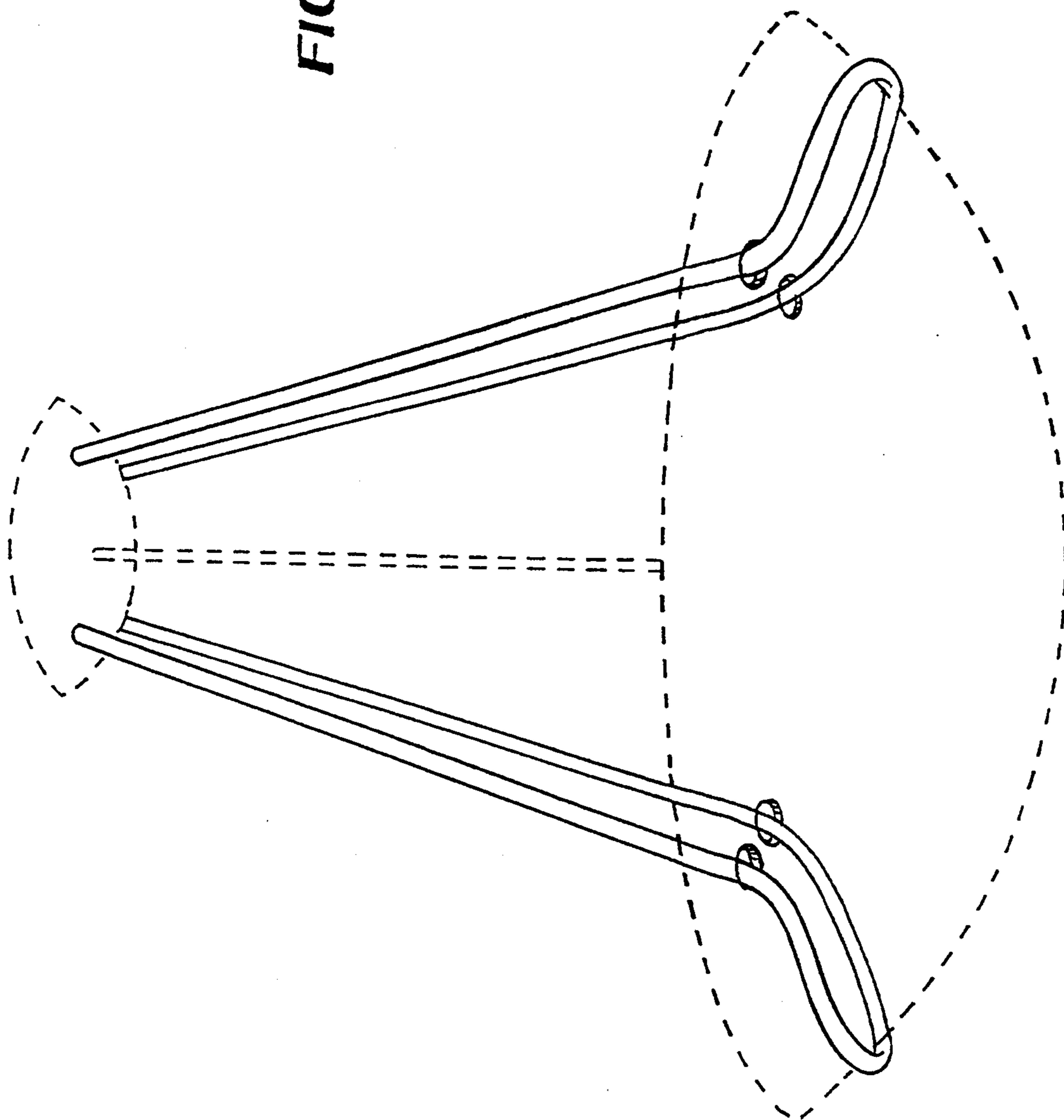


FIG. 8

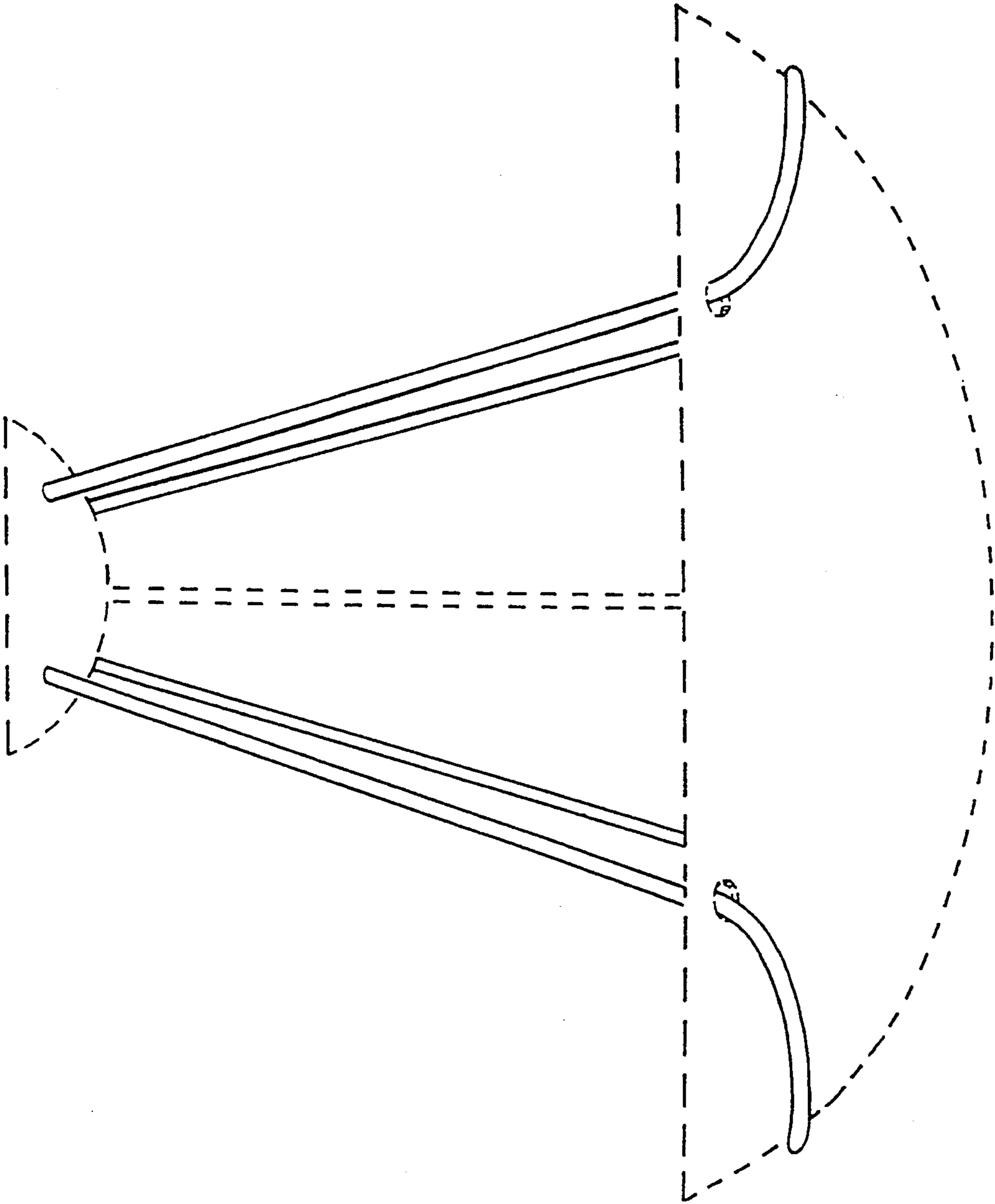
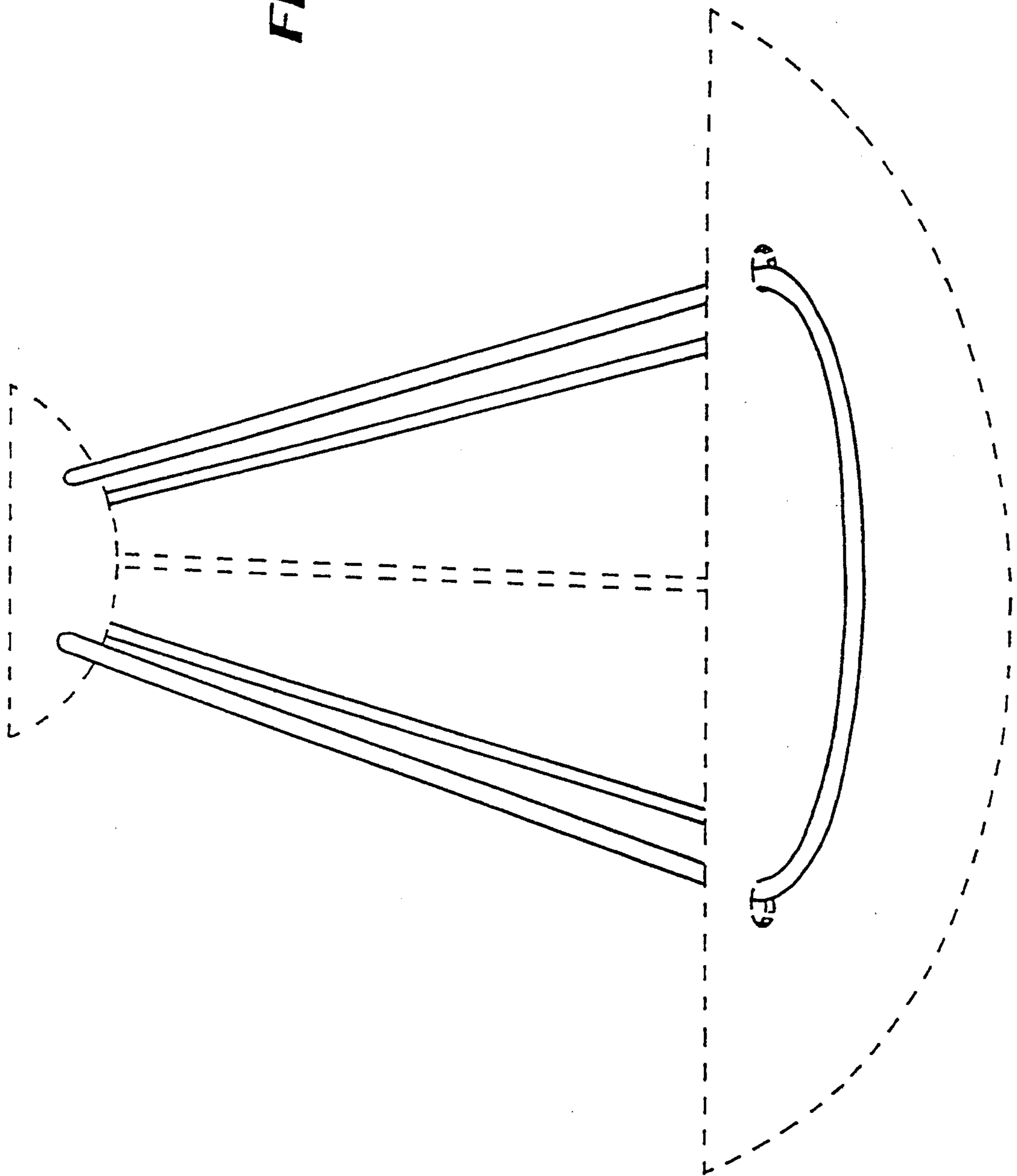


FIG. 9



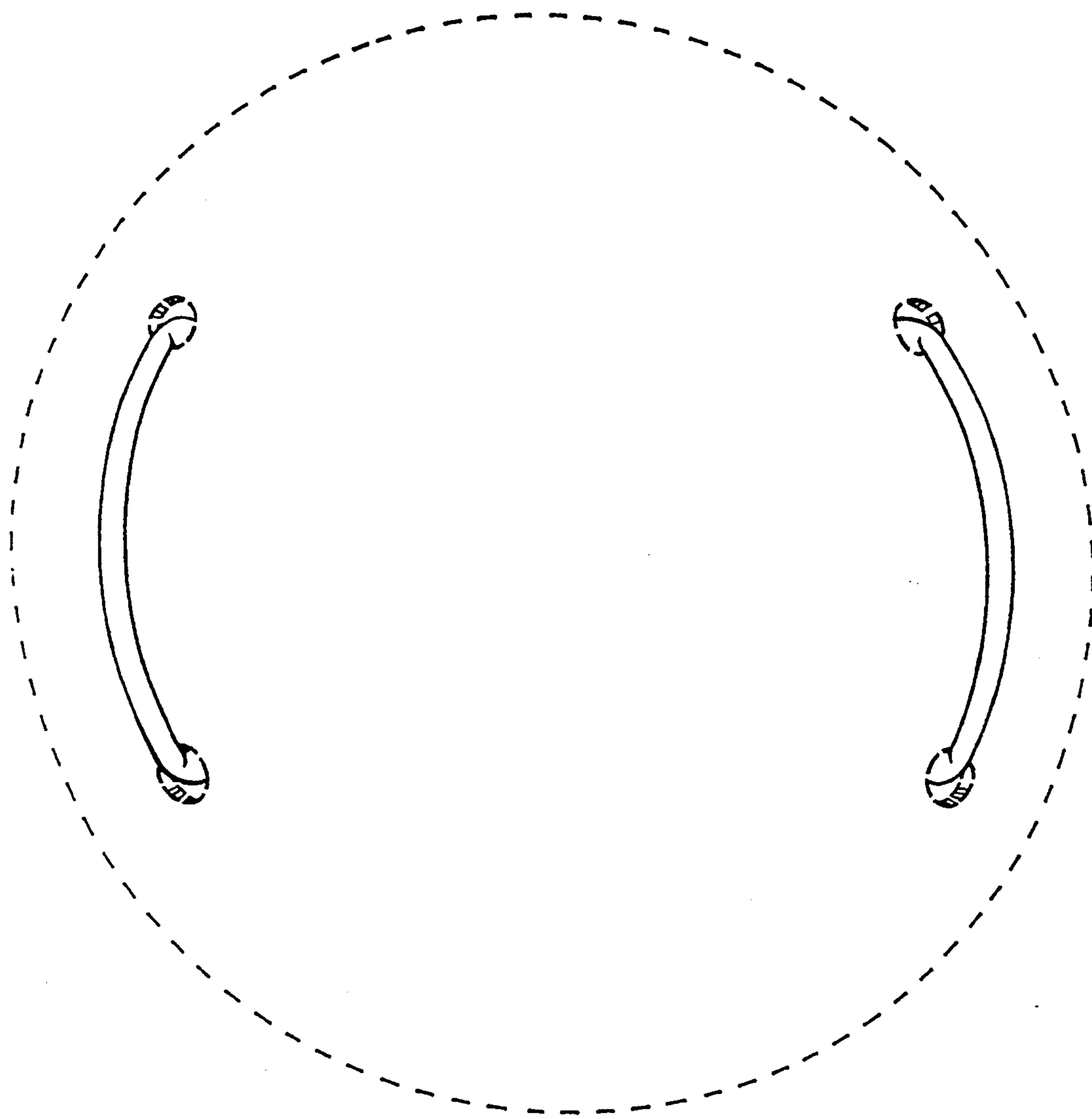


FIG.10

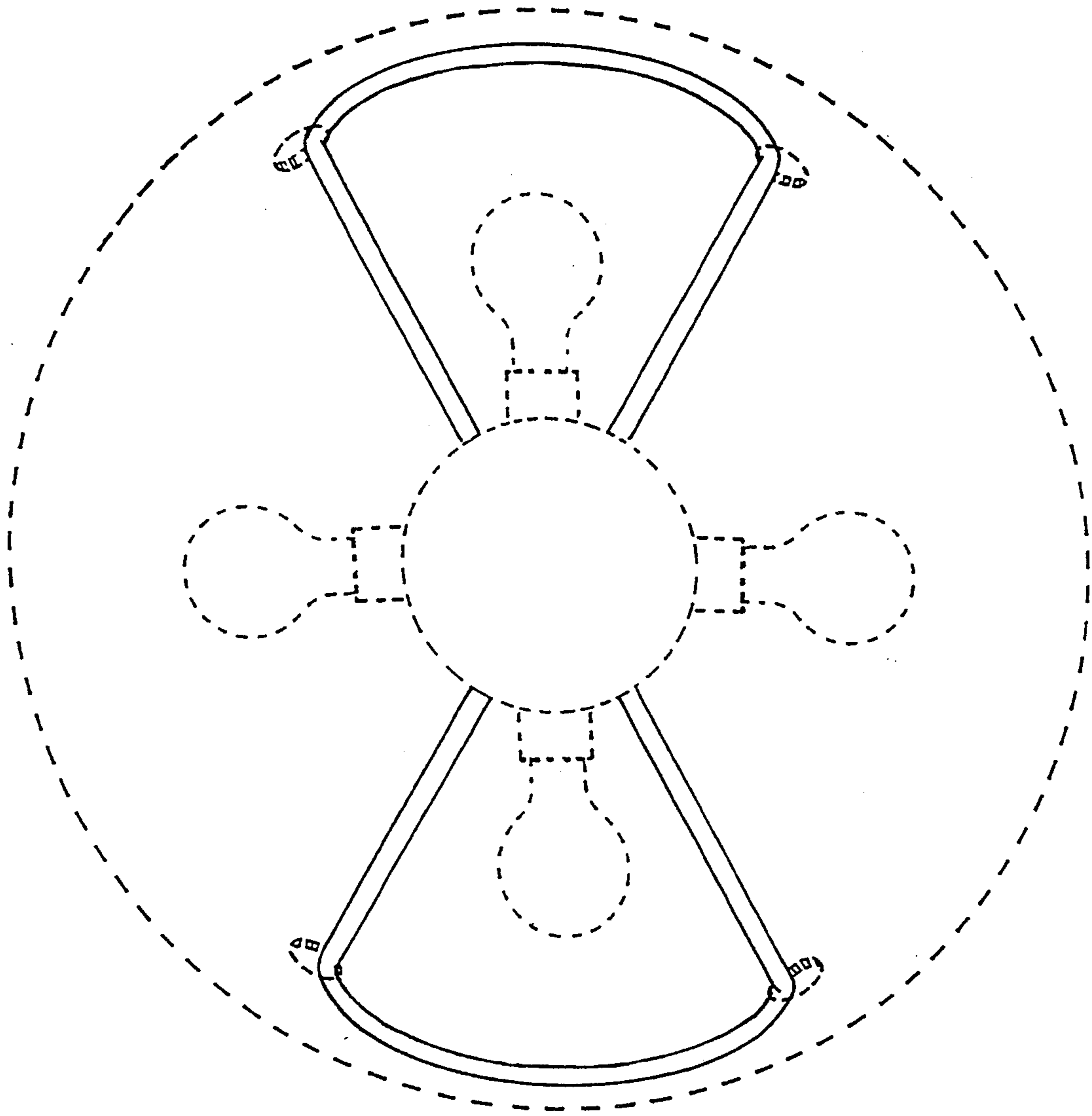


FIG. II