



US00D353013S

United States Patent [19]

[11] Patent Number: **Des. 353,013**

Szekely et al.

[45] Date of Patent: **** Nov. 29, 1994**

[54] **DECORATIVE SOLAR POWERED WALKWAY LIGHT**

[75] Inventors: **Klara Szekely, West Hills; John S. Frost, Thousand Oaks, both of Calif.**

[73] Assignee: **Siemens Solar Industries International, Inc., Camarillo, Calif.**

[**] Term: **14 Years**

[21] Appl. No.: **11,709**

[22] Filed: **Aug. 12, 1993**

[52] U.S. Cl. **D26/67**

[58] Field of Search **362/183, 362, 147, 431, 362/153, 153.1; D26/67-71**

[56] **References Cited**

U.S. PATENT DOCUMENTS

D. 309,785	8/1990	Chien	D26/67
D. 309,954	8/1990	Chien	D26/67
D. 329,100	9/1992	Hall et al.	D26/67
4,841,416	6/1989	Doss	362/183
5,062,028	10/1991	Frost et al.	362/183

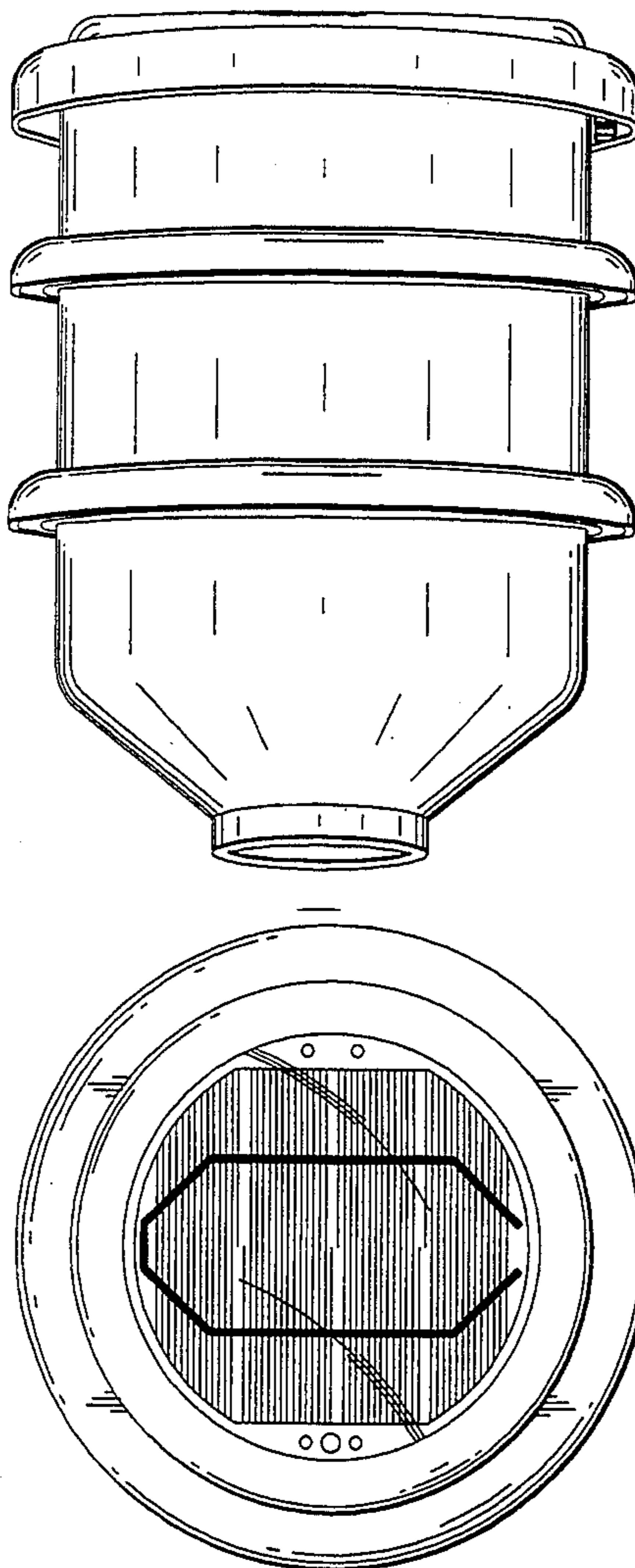
Primary Examiner—Susan J. Lucas
Attorney, Agent, or Firm—Donald M. Boles

[57] **CLAIM**

The ornamental design for a decorative solar powered walkway light, as shown and described.

DESCRIPTION

FIG. 1 is a perspective view of a decorative solar powered walkway light;
FIG. 2 is a top plan view;
FIG. 3 is a side elevational view all sides being the same;
and,
FIG. 4 is a bottom view.



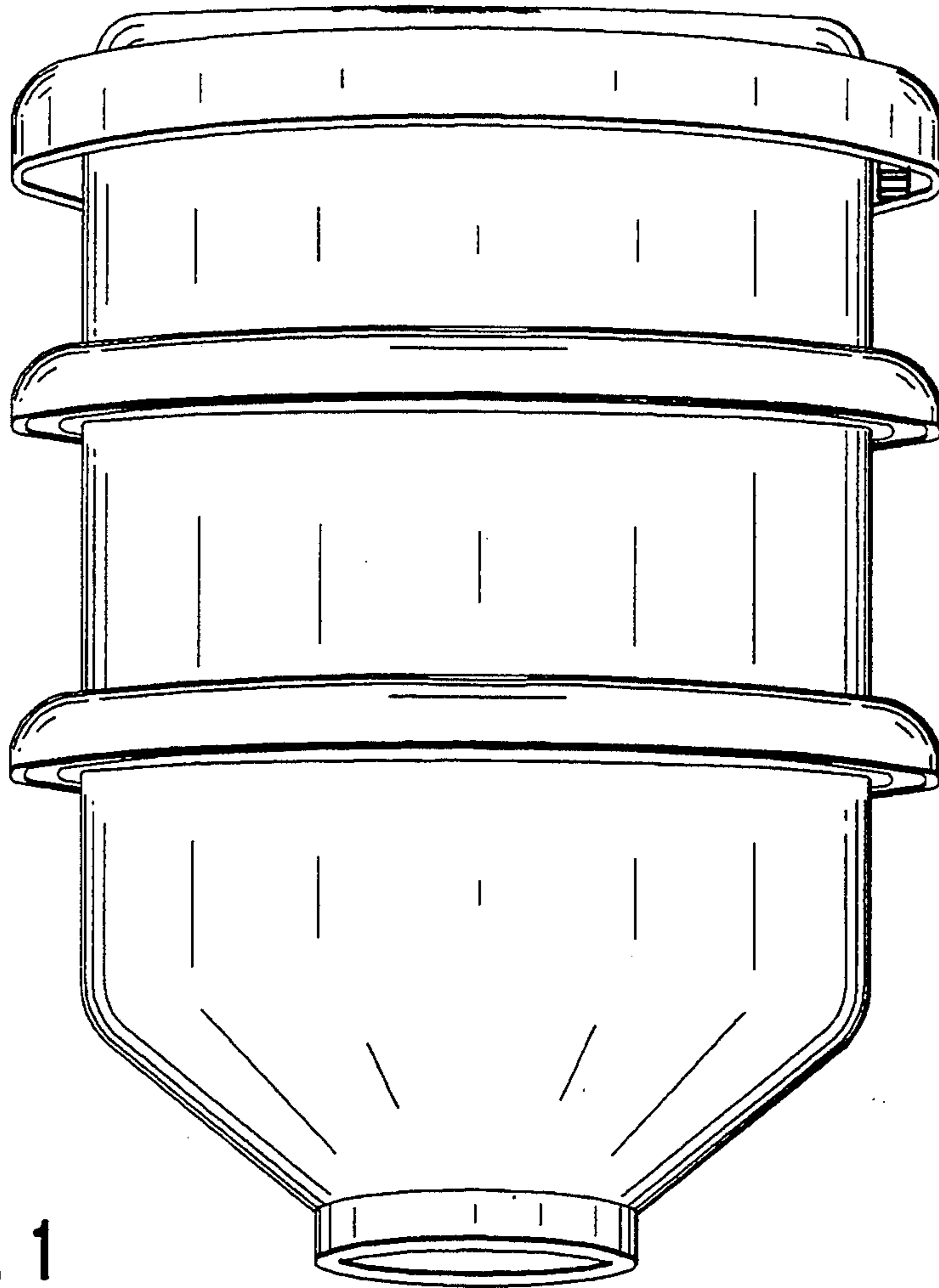


FIG. 1

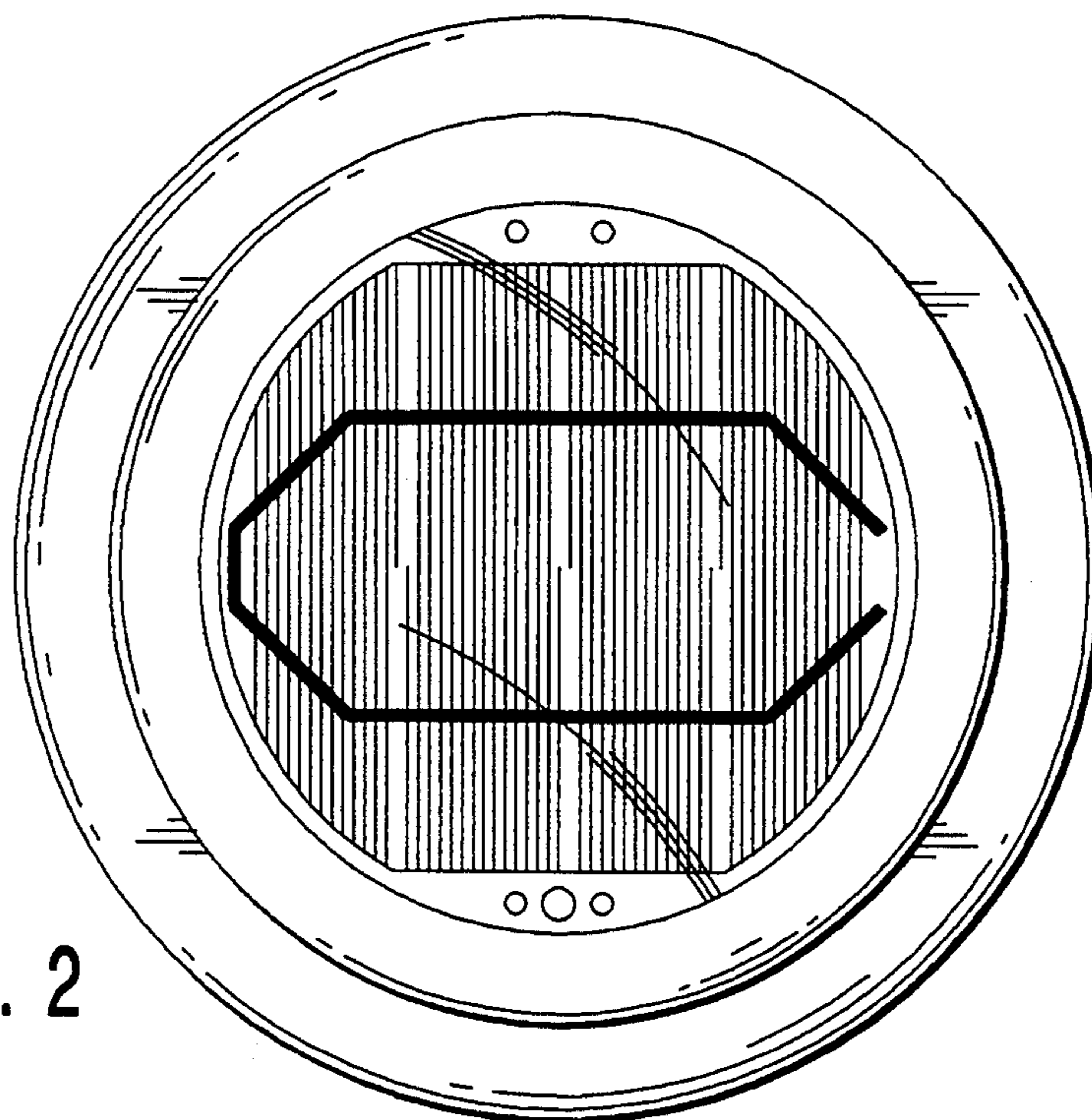


FIG. 2

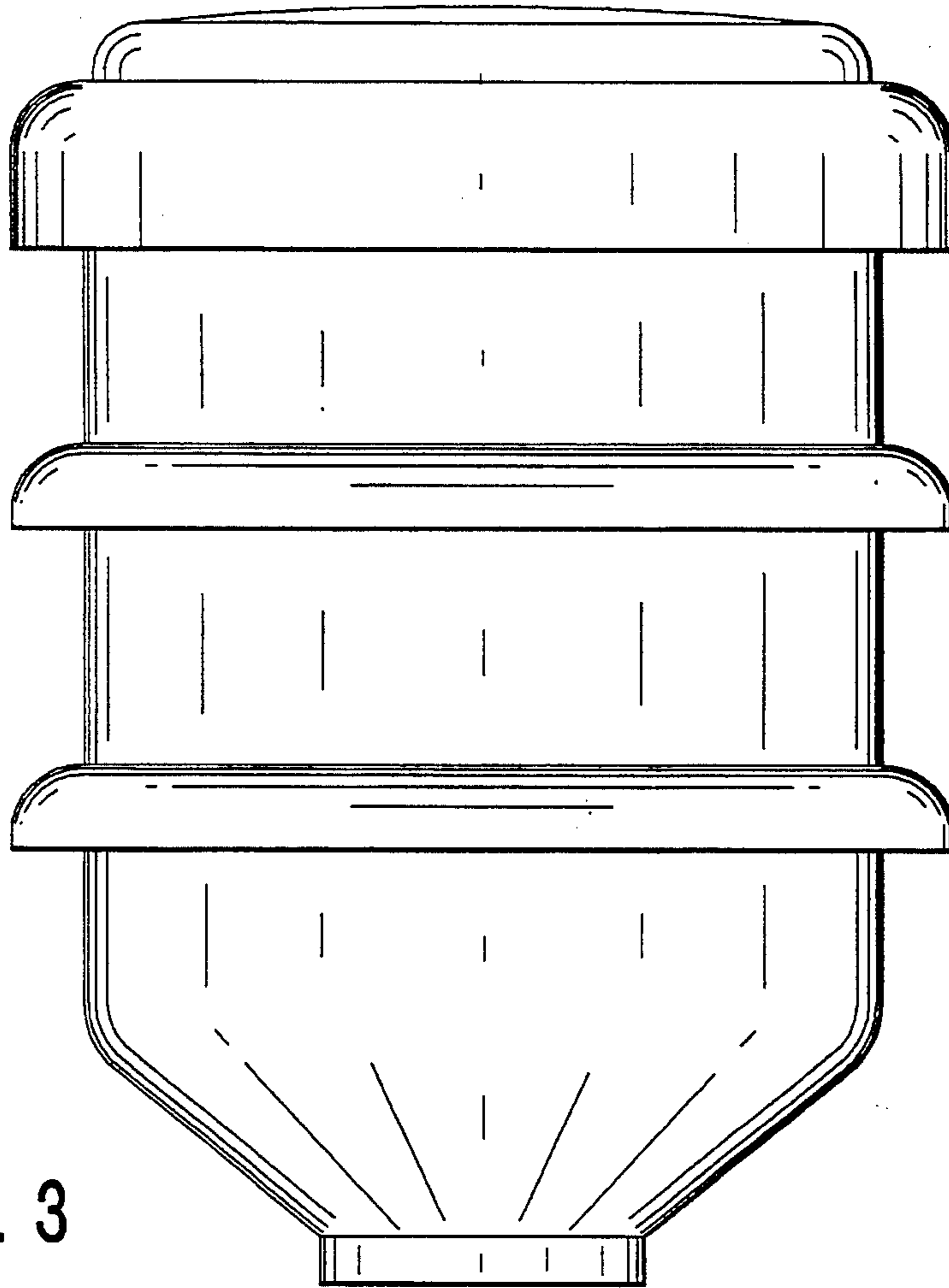


FIG. 3

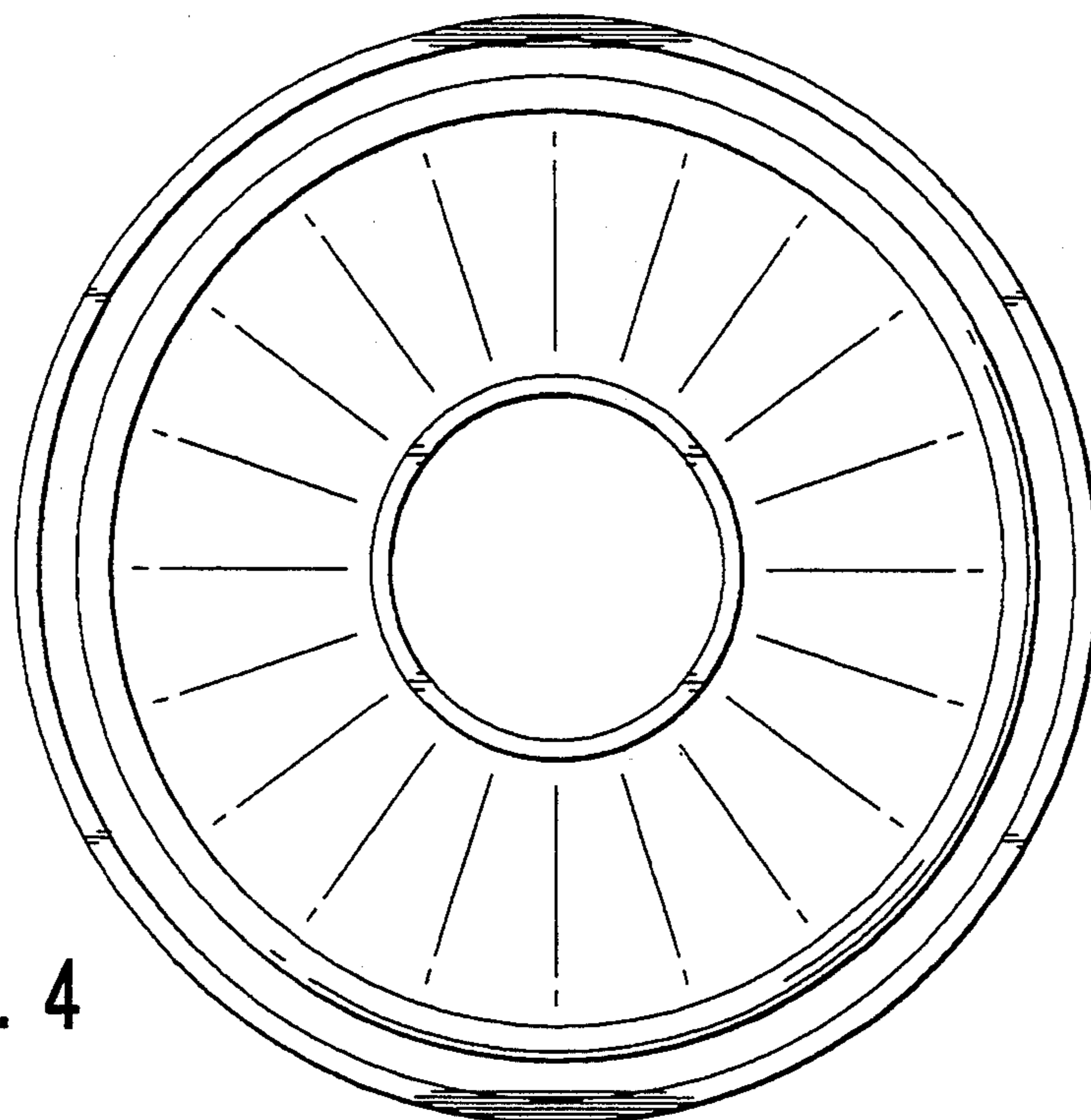


FIG. 4