



US00D353012S

# United States Patent [19]

Mihavetz

[11] Patent Number: Des. 353,012

[45] Date of Patent: \*\* Nov. 29, 1994

[54] WRIST-MOUNTED LIGHT

[76] Inventor: Michael J. Mihavetz, 138 Federal City Rd., Lawrenceville, N.J. 08648

[\*\*] Term: 14 Years

[21] Appl. No.: 9,800

[22] Filed: Jun. 24, 1993

[52] U.S. Cl. .... D26/39

[58] Field of Search ..... 362/157, 158, 183, 184, 362/188-203, 103, 108; D26/37-50

4,768,138 8/1988 Leopoldi et al. .... 362/189

4,812,953 3/1989 Ask .

4,910,652 3/1990 Rhine .

Primary Examiner—Susan J. Lucas  
 Attorney, Agent, or Firm—Terry M. Gernstein

### [57] CLAIM

The ornamental design for a wrist-mounted light, as shown and described.

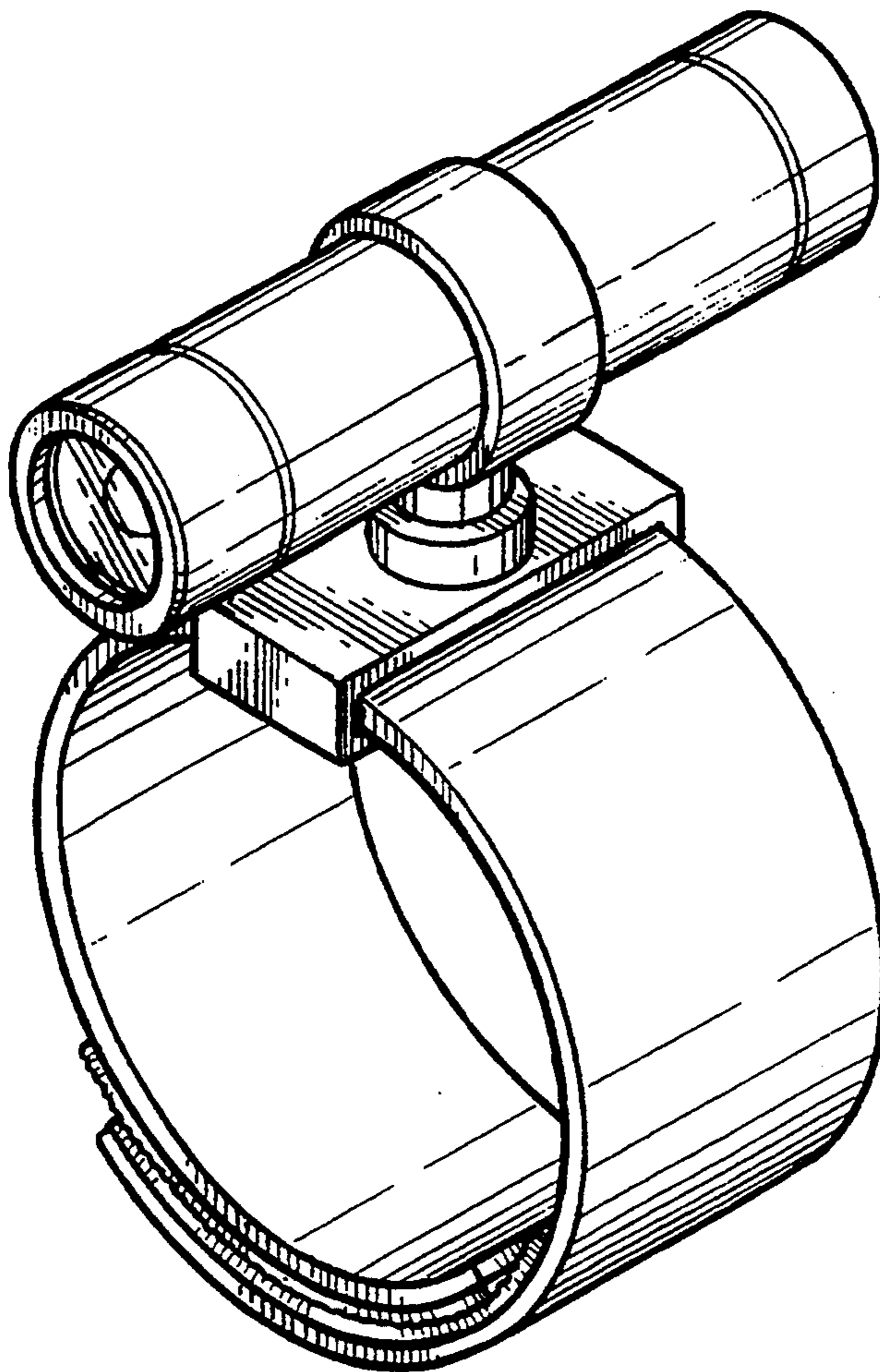
### DESCRIPTION

FIG. 1 is a front, top and side perspective view of the wrist-mounted light showing my new design; FIG. 2 is a front elevational view thereof; FIG. 3 is a rear elevational view thereof; FIG. 4 is a side elevational view thereof; FIG. 5 is a side elevational view thereof; FIG. 6 is a top plan view thereof; and, FIG. 7 is a bottom plan view thereof.

[56] References Cited

U.S. PATENT DOCUMENTS

D. 328,820	8/1992	Davie	.....	D26/37
3,550,824	12/1970	Bohanski	.....	362/103
3,836,759	9/1974	Silverman	.	
4,425,600	1/1984	Barnhart	.	



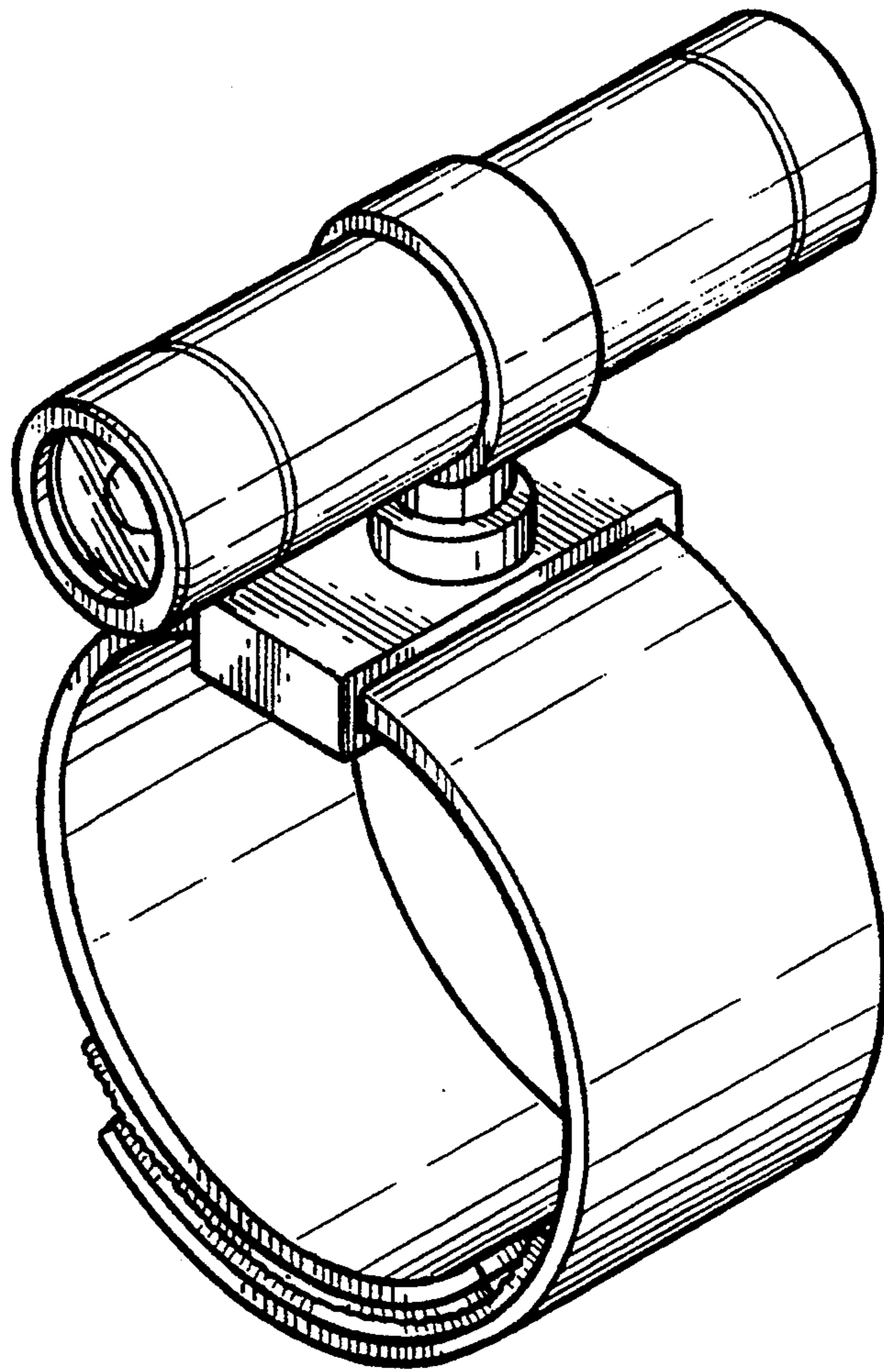


FIG. 1

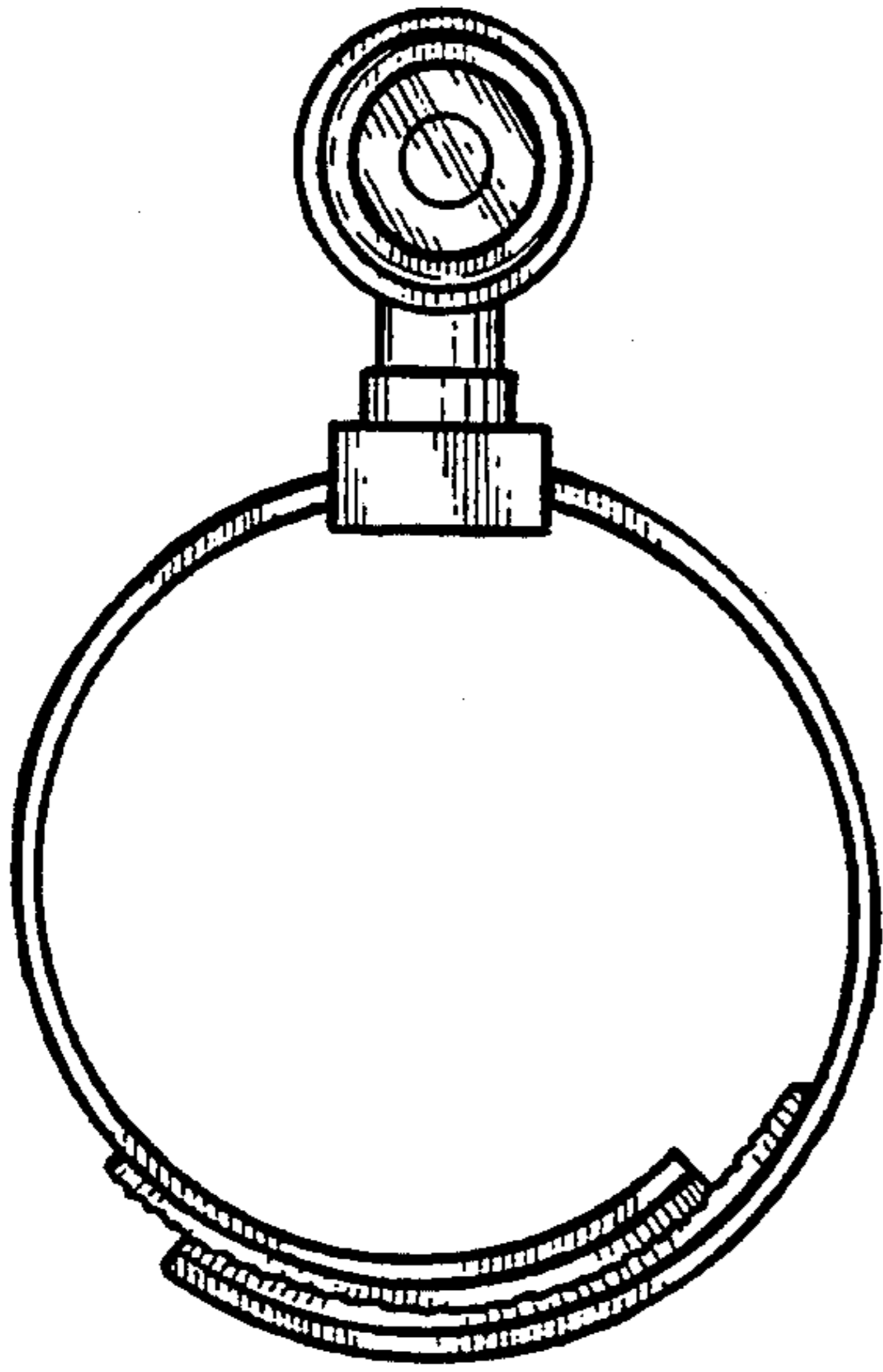


FIG. 2

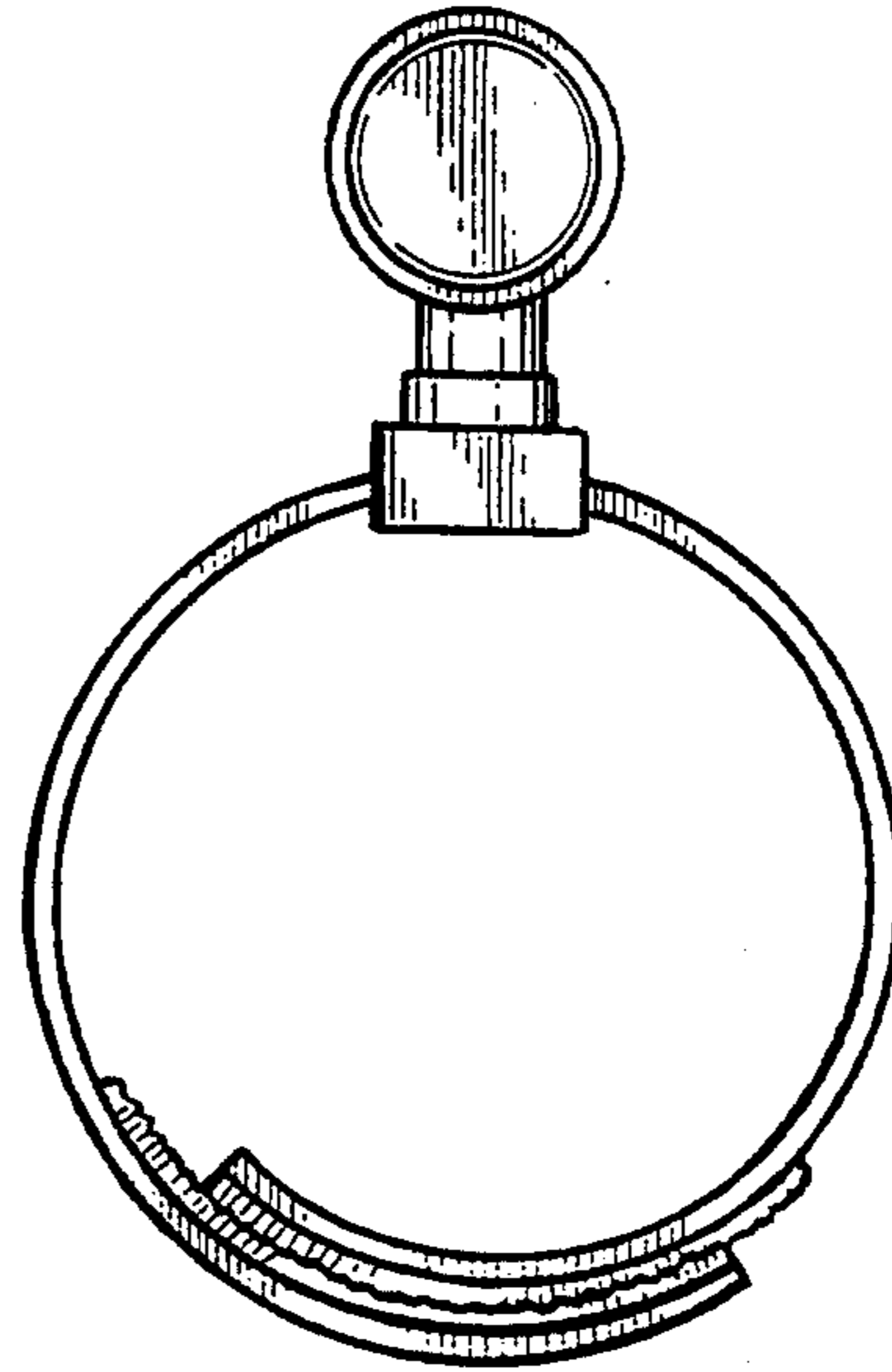


FIG. 3

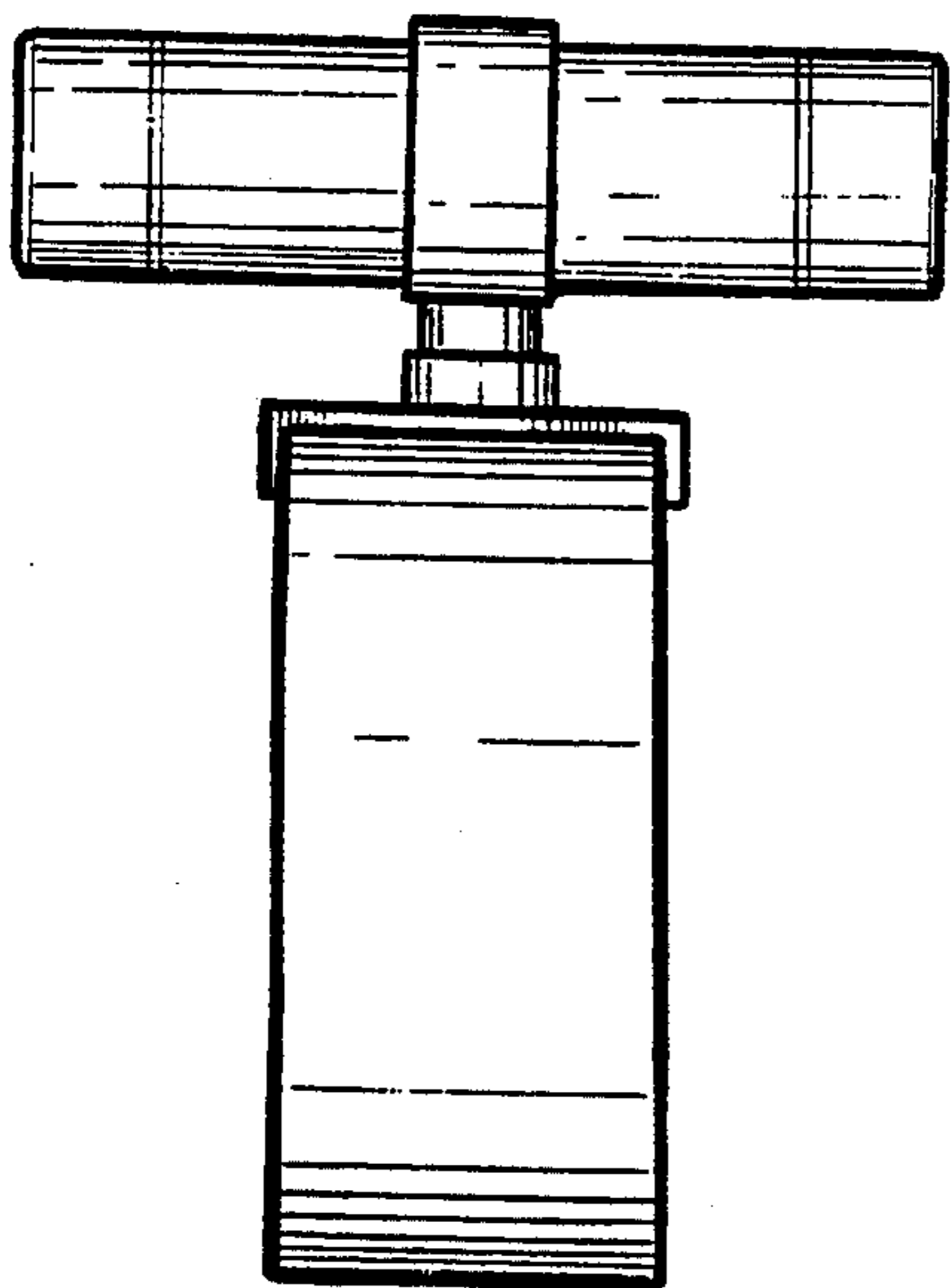


FIG. 4

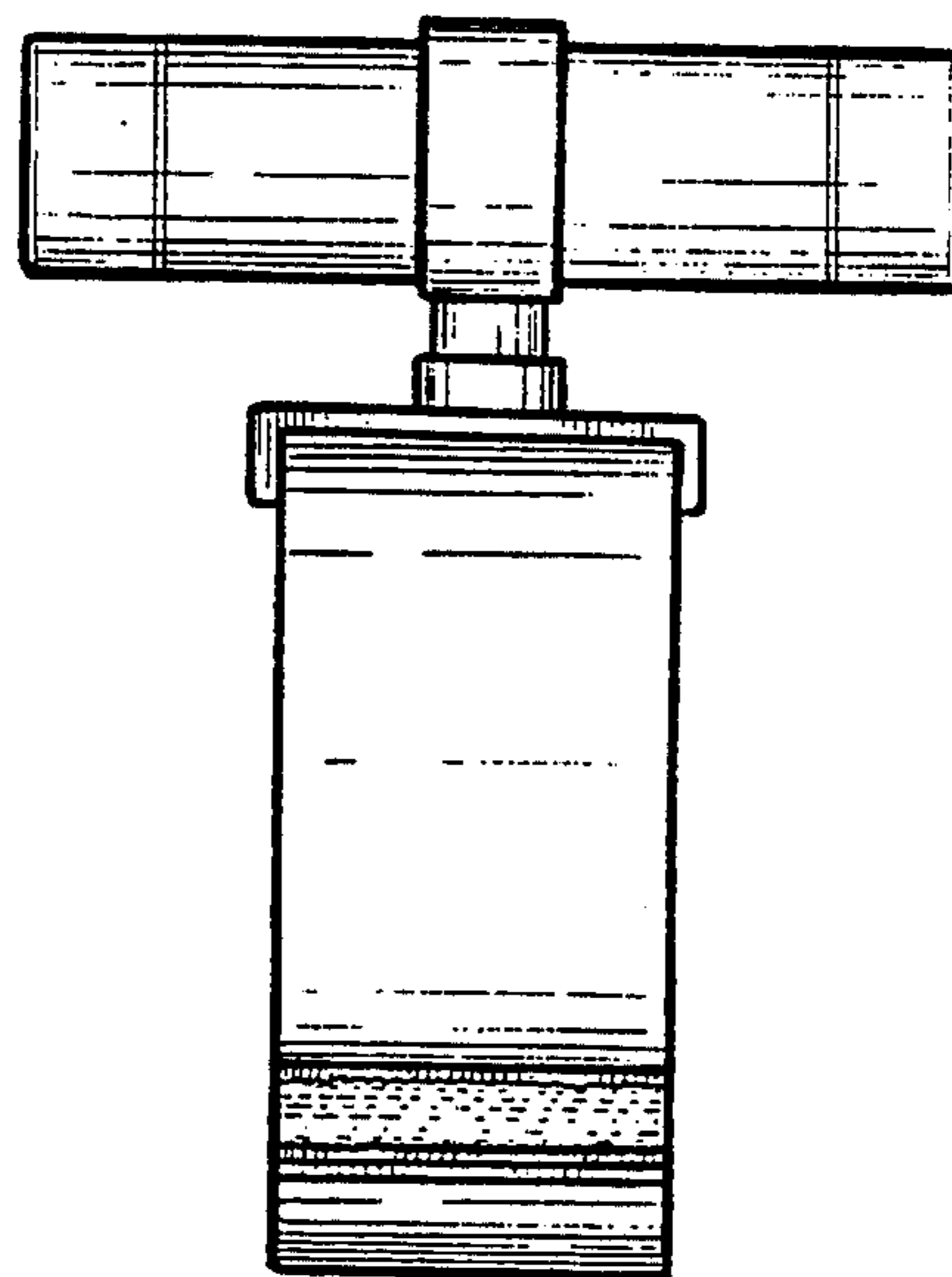


FIG. 5

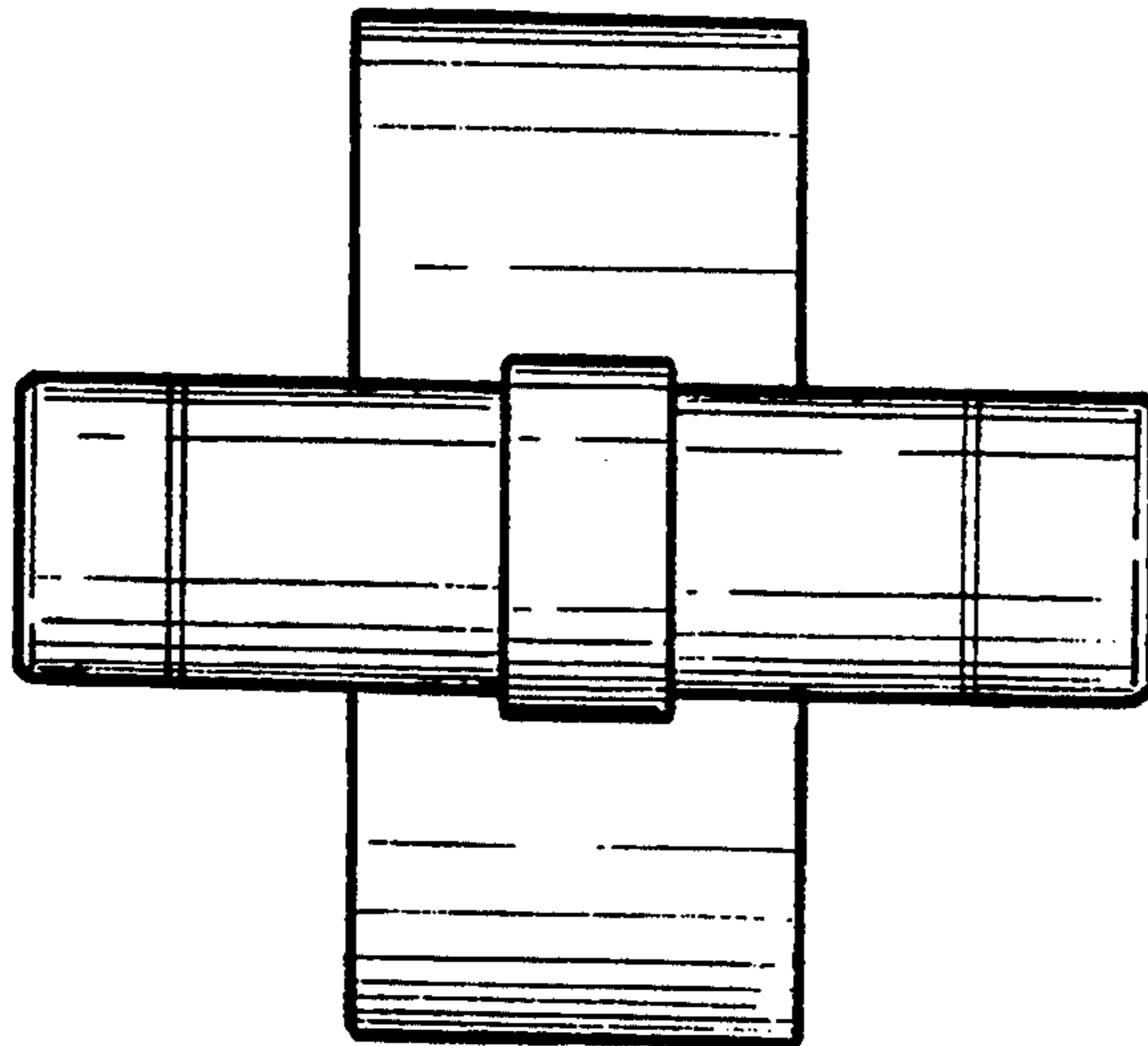


FIG. 6

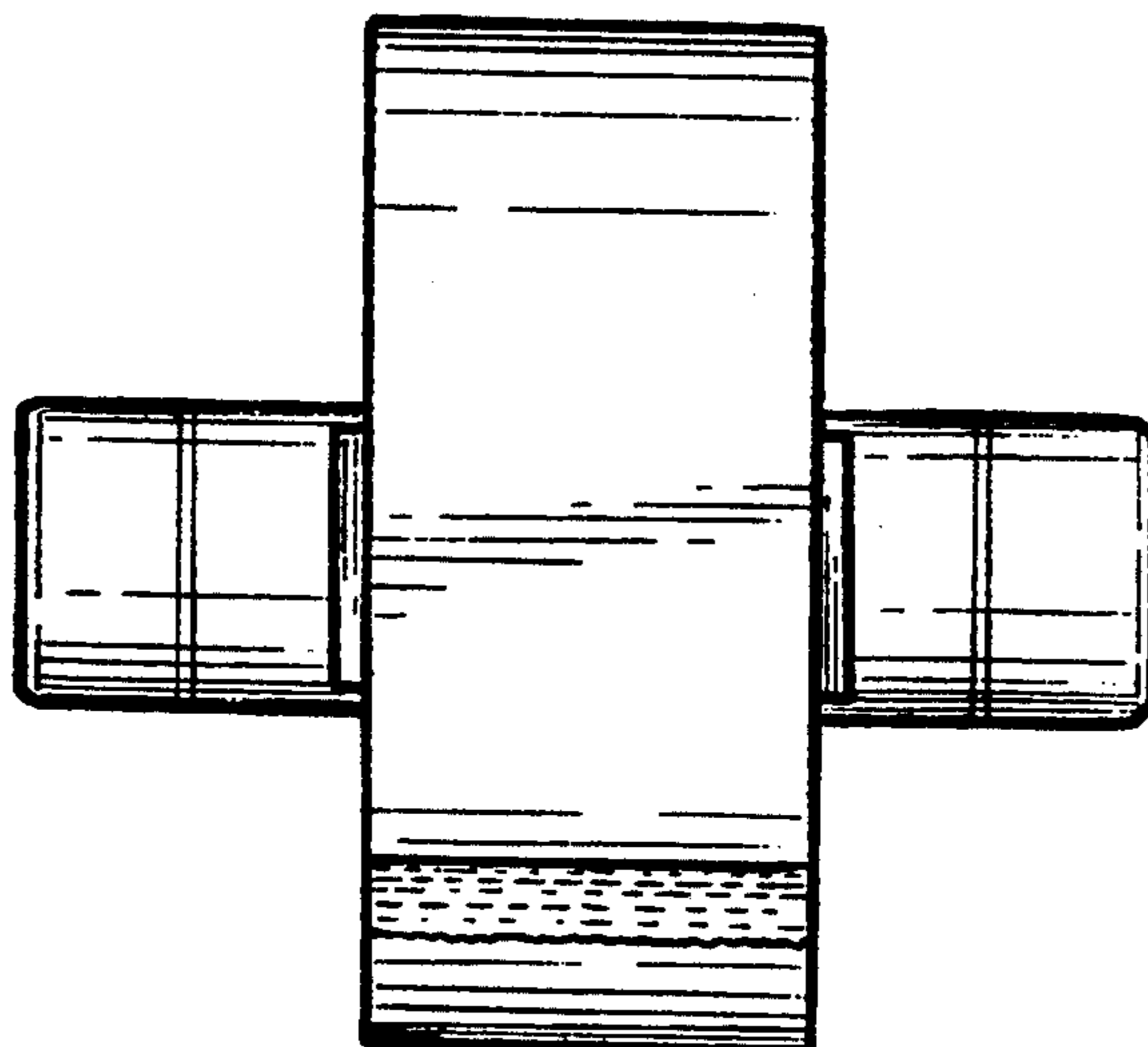


FIG. 7