



US00D353009S

United States Patent [19]

[11] Patent Number: **Des. 353,009**

Reum

[45] Date of Patent: **** Nov. 29, 1994**

[54] **LANDSCAPE EDGING**

4,907,783 3/1990 Fisk et al. 47/33

[75] Inventor: **Donald J. Reum, Bonita Springs, Fla.**

Primary Examiner—James R. Largen

[73] Assignee: **Avon Plastics, Inc., Albany, Minn.**

Assistant Examiner—Doris Clark

[**] Term: **14 Years**

Attorney, Agent, or Firm—Merchant, Gould, Smith, Edell, Welter & Schmidt

[21] Appl. No.: **9,074**

[57] **CLAIM**

[22] Filed: **Jun. 2, 1993**

The ornamental design for a landscape edging, as shown and described.

[52] U.S. Cl. **D25/164**

DESCRIPTION

[58] Field of Search 47/33; 52/102; D25/164

[56] **References Cited**

U.S. PATENT DOCUMENTS

- D. 251,070 2/1979 Blake D25/164
- 2,821,809 2/1958 Collier et al. 47/33

FIG. 1 is a perspective view of the front, top and side of the landscape edging;
 FIG. 2 is a side elevation of the landscape edging;
 FIG. 3 is a front elevation of the landscape edging;
 FIG. 4 is a top plan view of the landscape edging; and,
 FIG. 5 is a bottom plan view of the landscape edging.

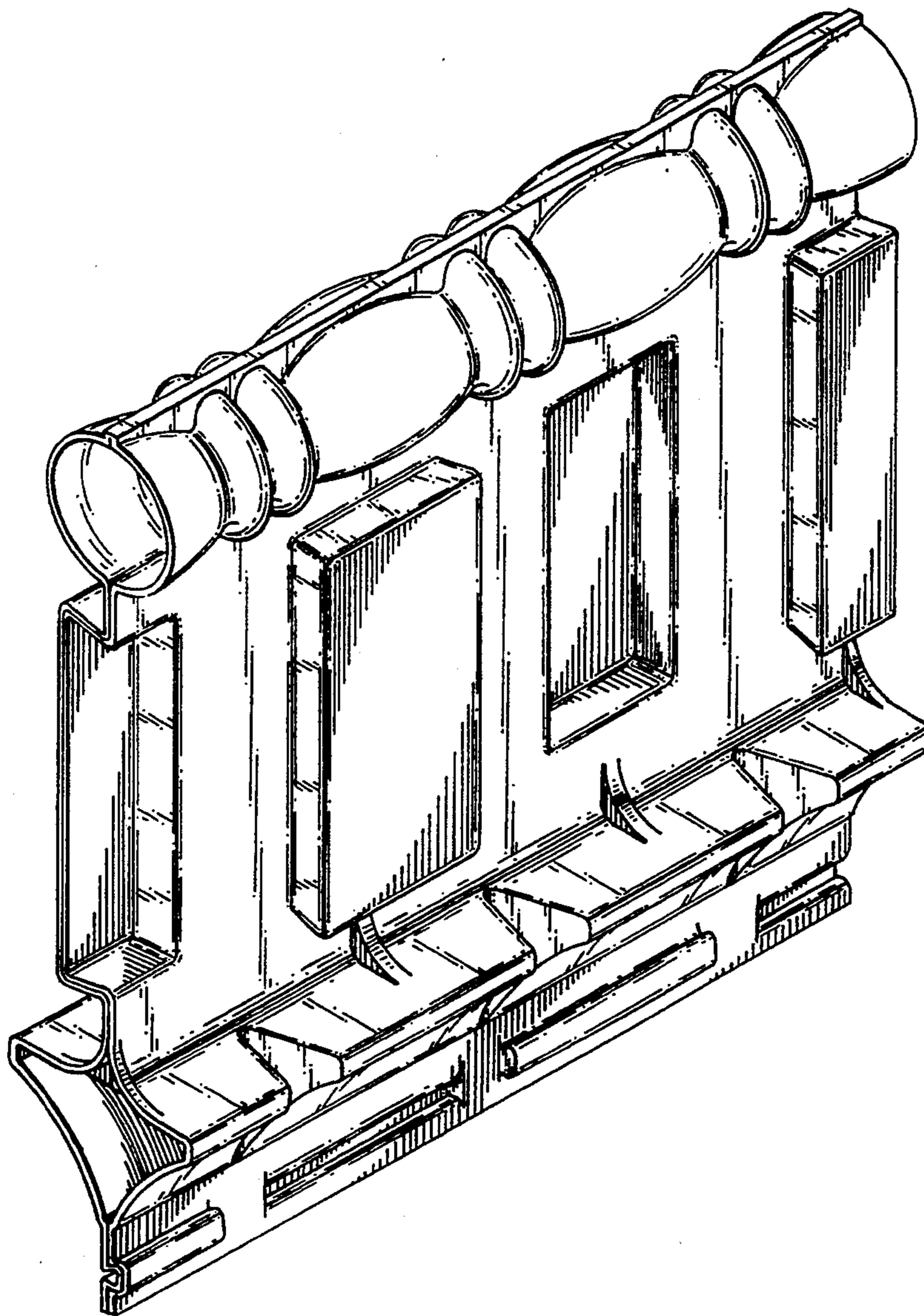


FIG. 1

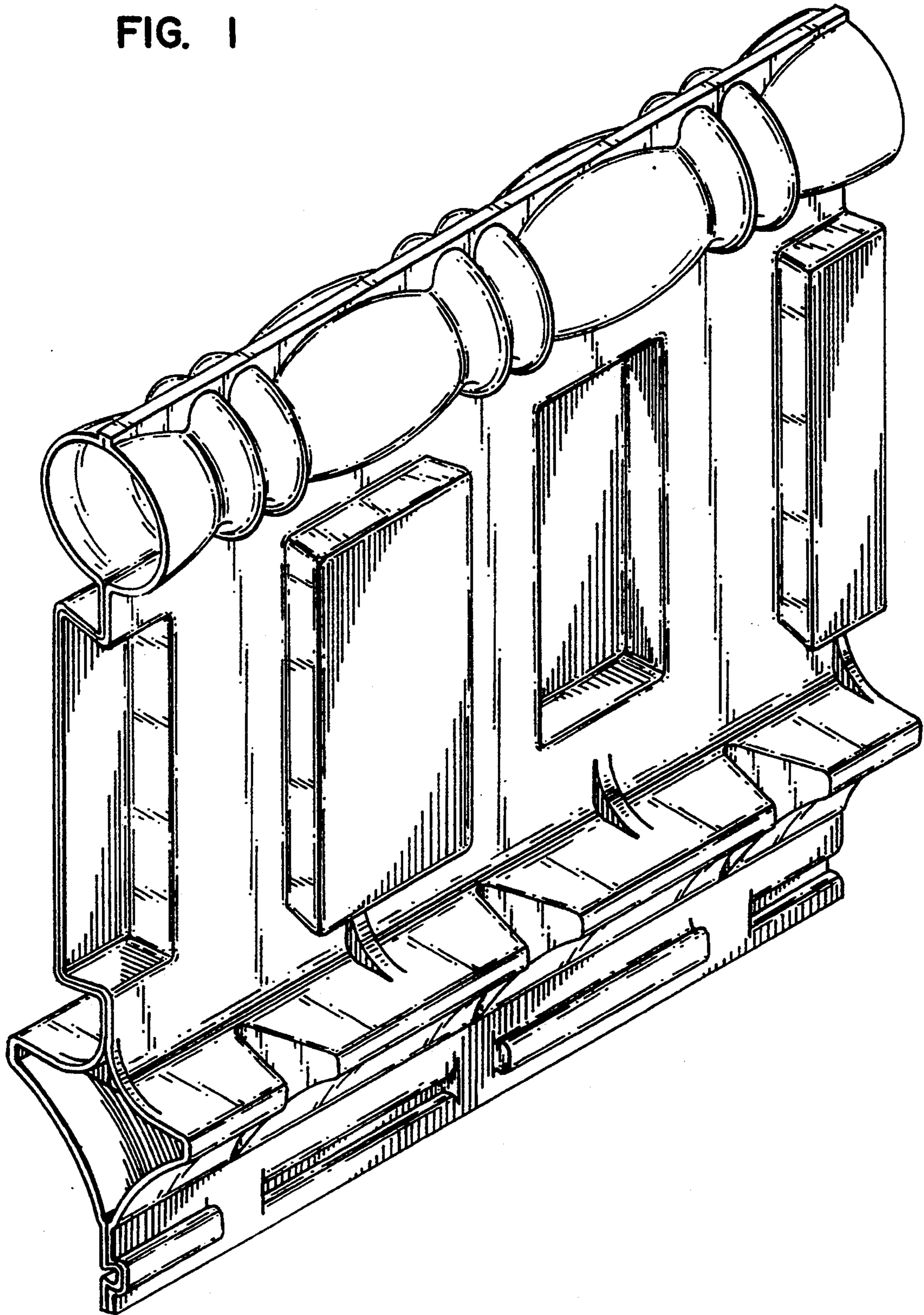


FIG. 3

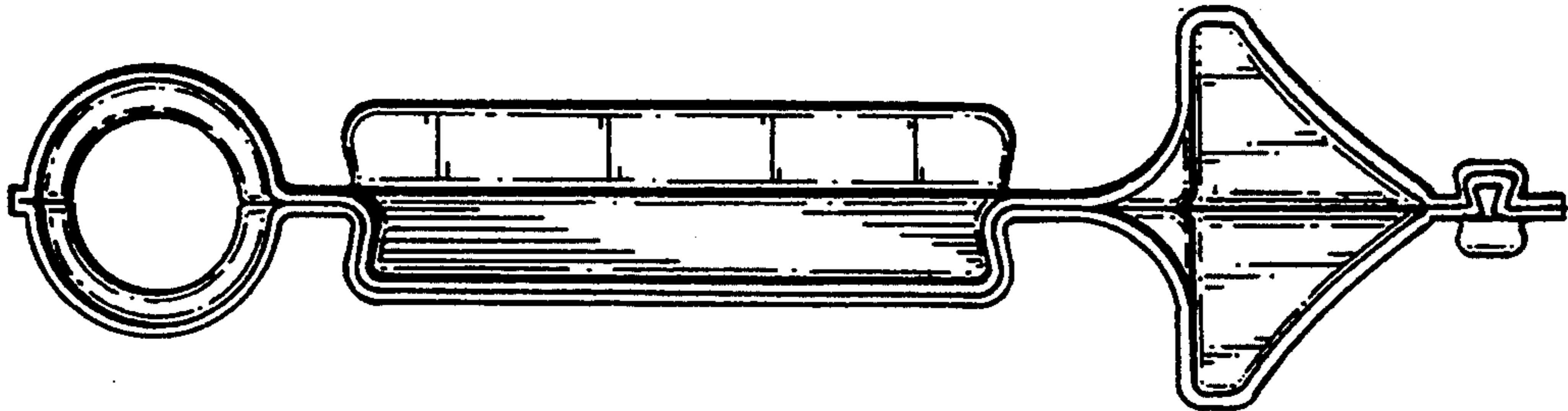
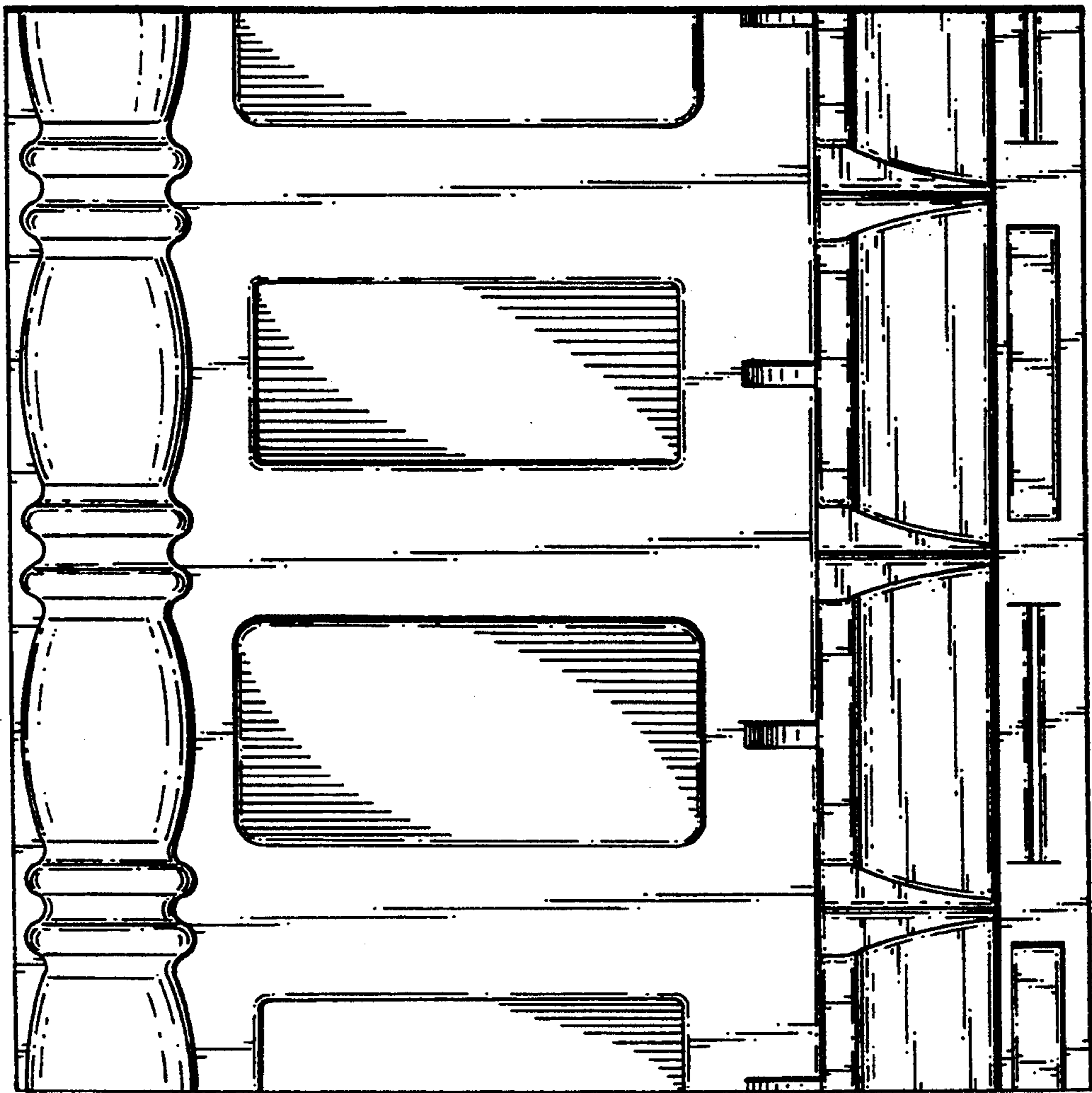


FIG. 2



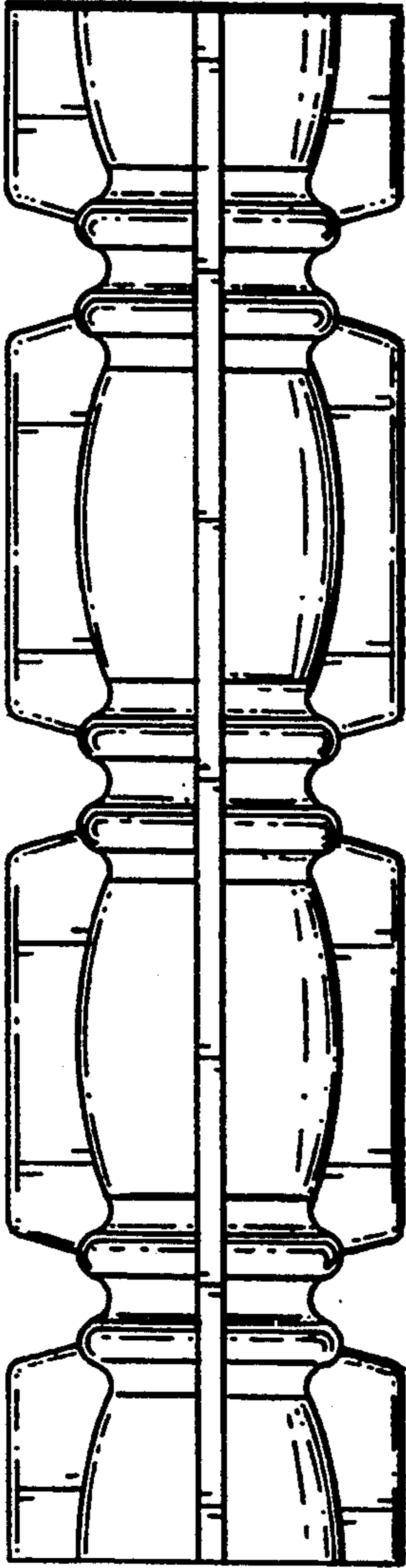


FIG. 4

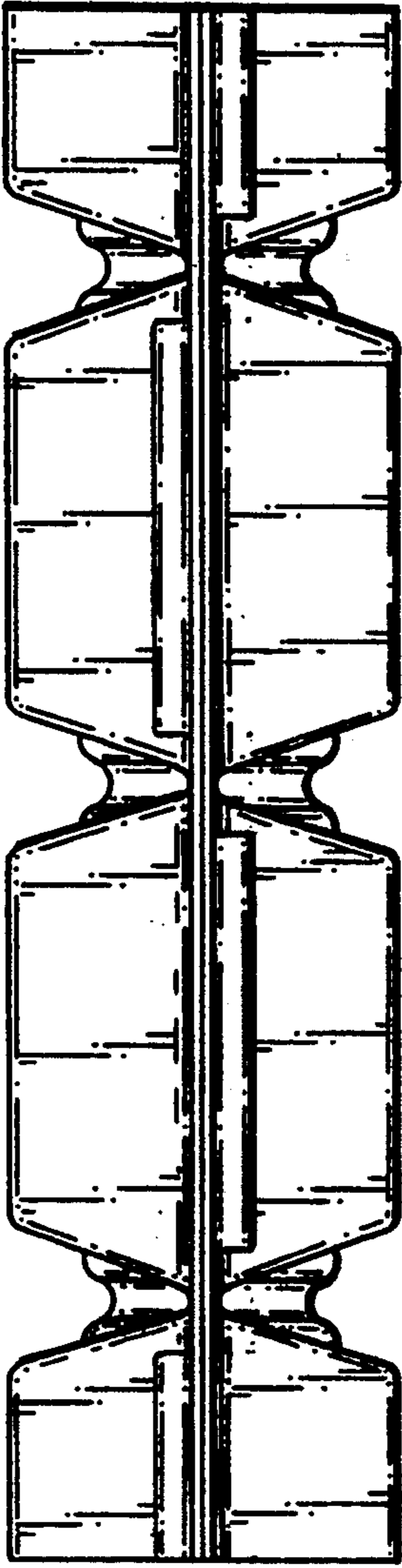


FIG. 5