



US00D353008S

United States Patent [19]

[11] Patent Number: **Des. 353,008**

Van Harn

[45] Date of Patent: **** Nov. 29, 1994**

[54] **ROTATING MESSAGE UNIT**

3,095,874 7/1963 Fratdenrajch 601/87 X
3,385,290 5/1968 Schmidt D24/211 X

[75] Inventor: **Willard L. Van Harn, Holland, Mich.**

Primary Examiner—Stella Reid
Attorney, Agent, or Firm—Waters & Morse

[73] Assignee: **Positive Advantage Corporation,
Holland, Mich.**

[57] **CLAIM**

[**] Term: **14 Years**

The ornamental design for a rotating message unit, as shown and described.

[21] Appl. No.: **14,049**

DESCRIPTION

[22] Filed: **Oct. 12, 1993**

[52] U.S. Cl. **D24/211; D24/200**

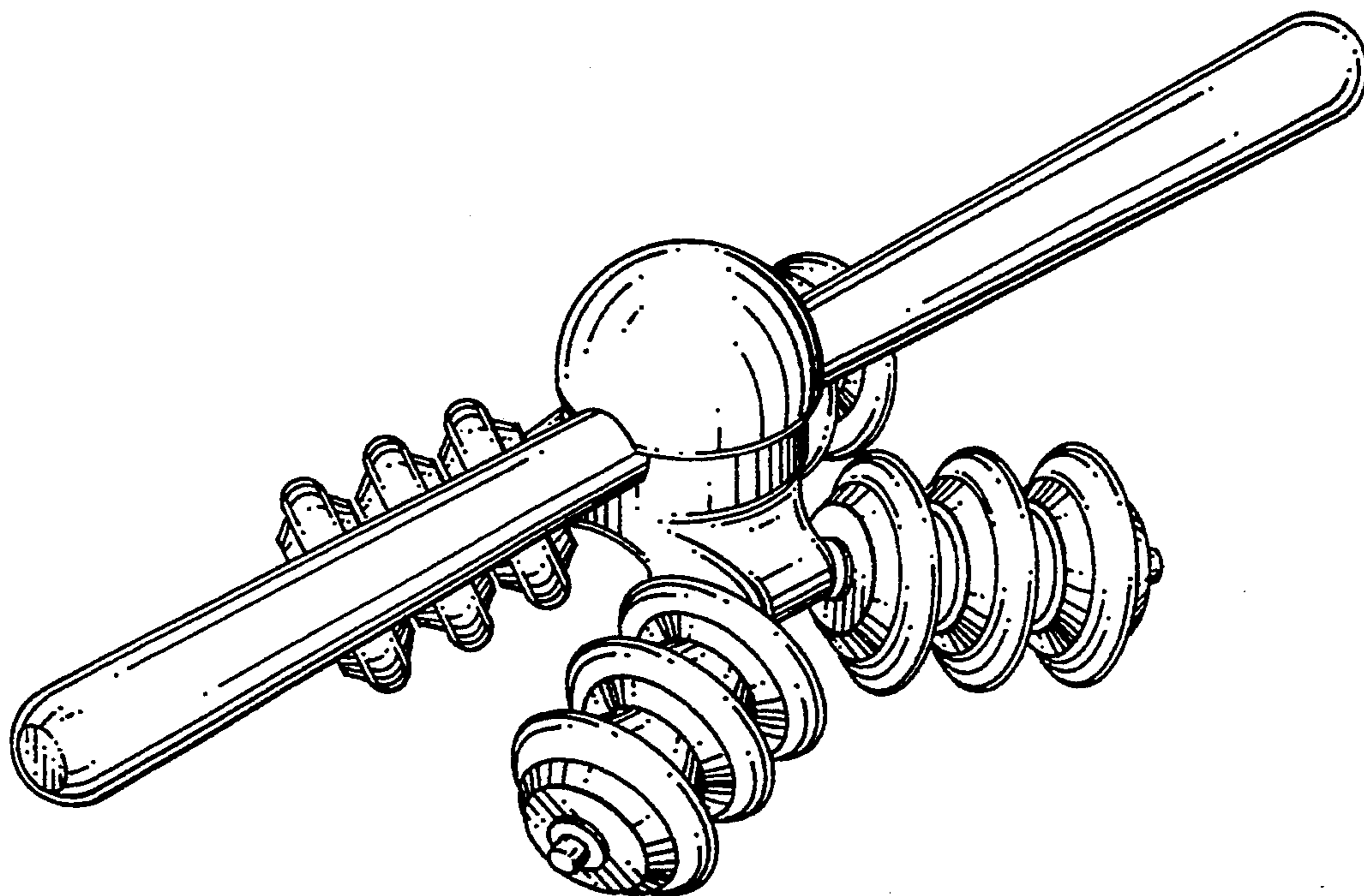
[58] Field of Search 601/84, 87, 107, 111,
601/112, 118, 119, 120, 122, 123, 128, 129, 131;
D24/211, 212, 213, 214, 200

FIG. 1 is a front, top and left side perspective view of a rotating message unit, showing my new design;
FIG. 2 is a front elevational view thereof, the rear elevational view being identical thereto, with the handles being partially cut-away for ease of illustration;
FIG. 3 is a left side elevational view thereof, the right side elevational view being identical thereto;
FIG. 4 is a top plan view thereof, with one handle being partially cut-away for ease of illustration; and,
FIG. 5 is a bottom plan view thereof.

[56] **References Cited**

U.S. PATENT DOCUMENTS

1,999,939 4/1935 Luzzi D24/211 X
2,633,844 4/1953 Herndon 601/128



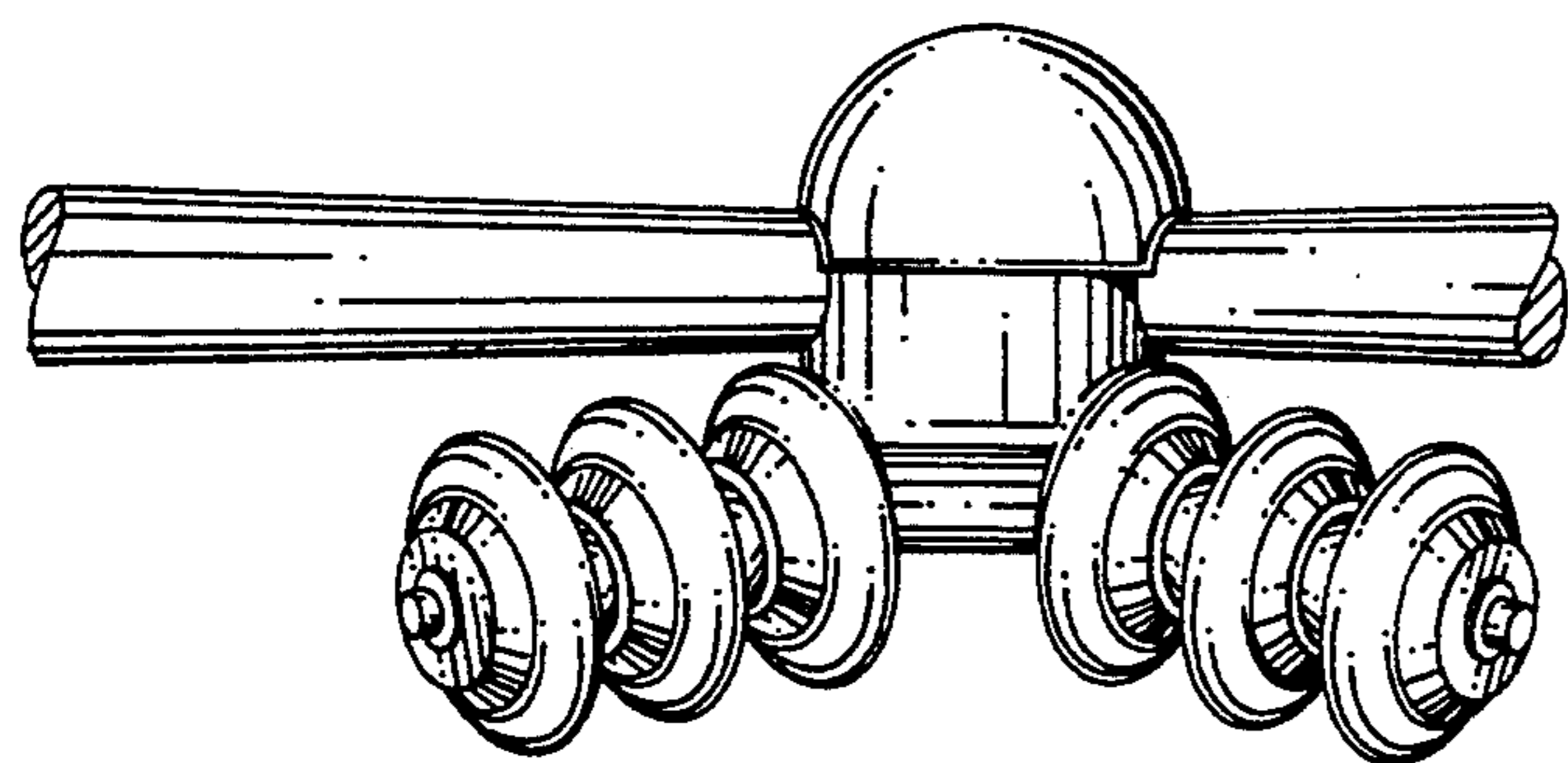
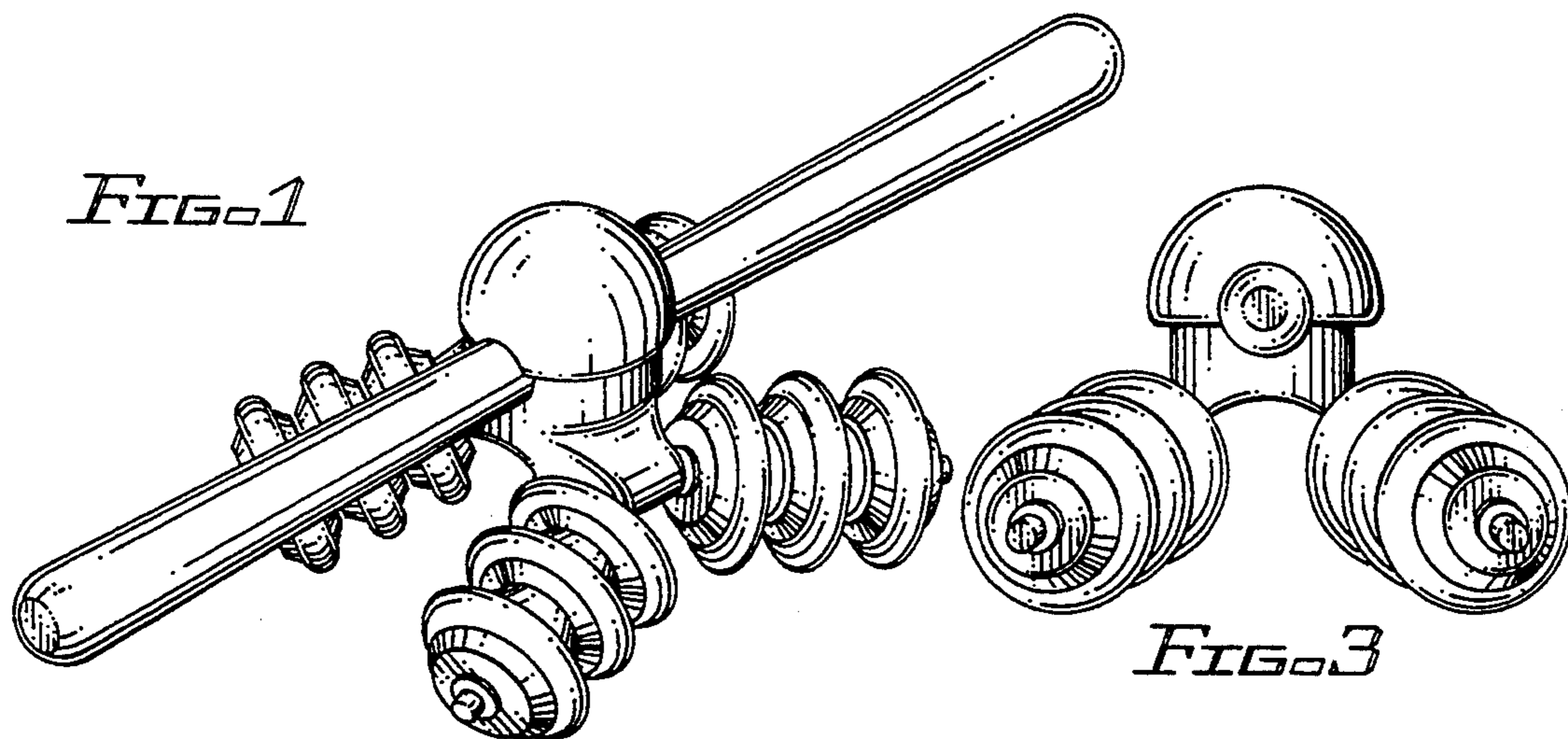


FIG. 2

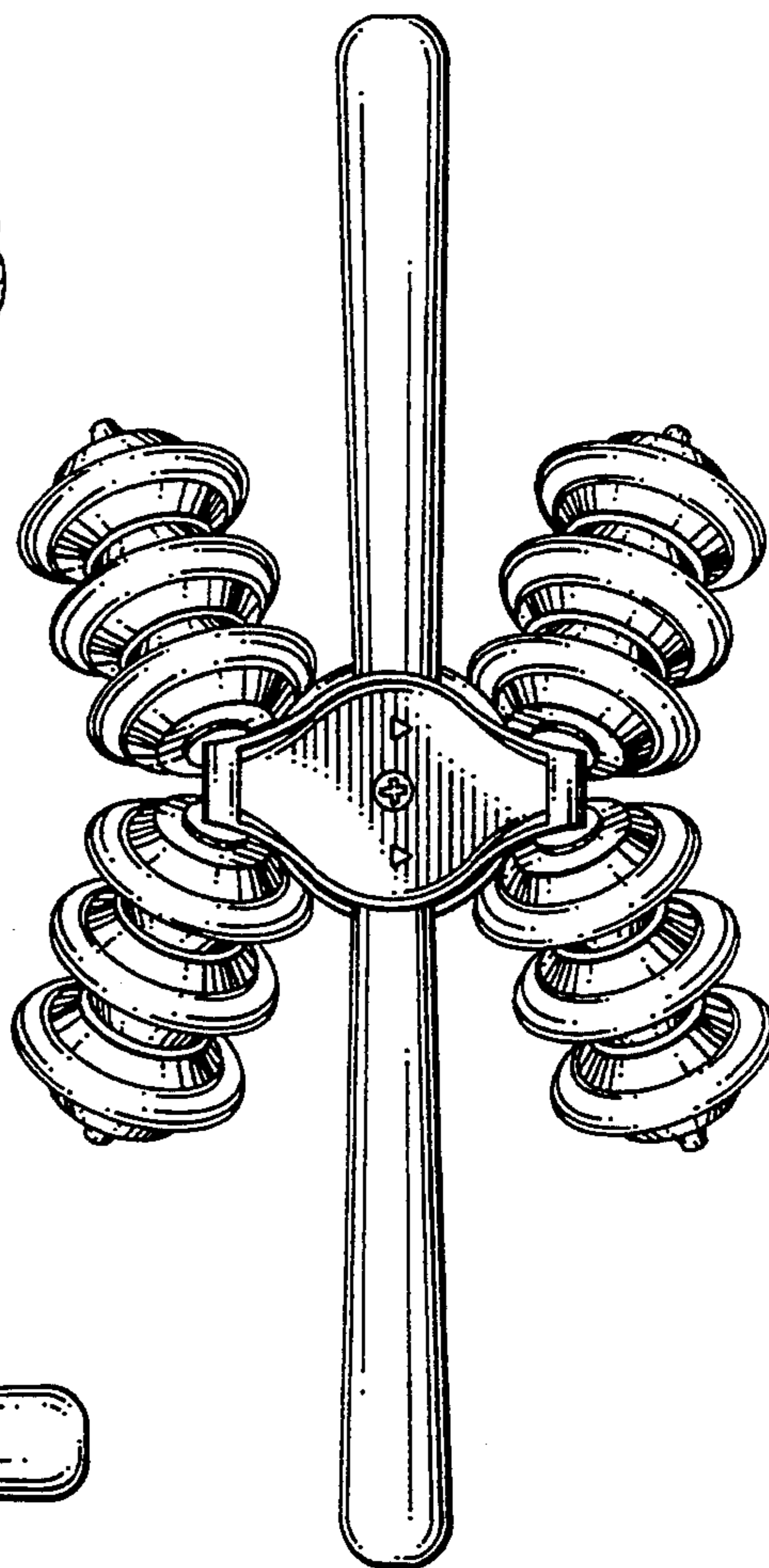


FIG. 5

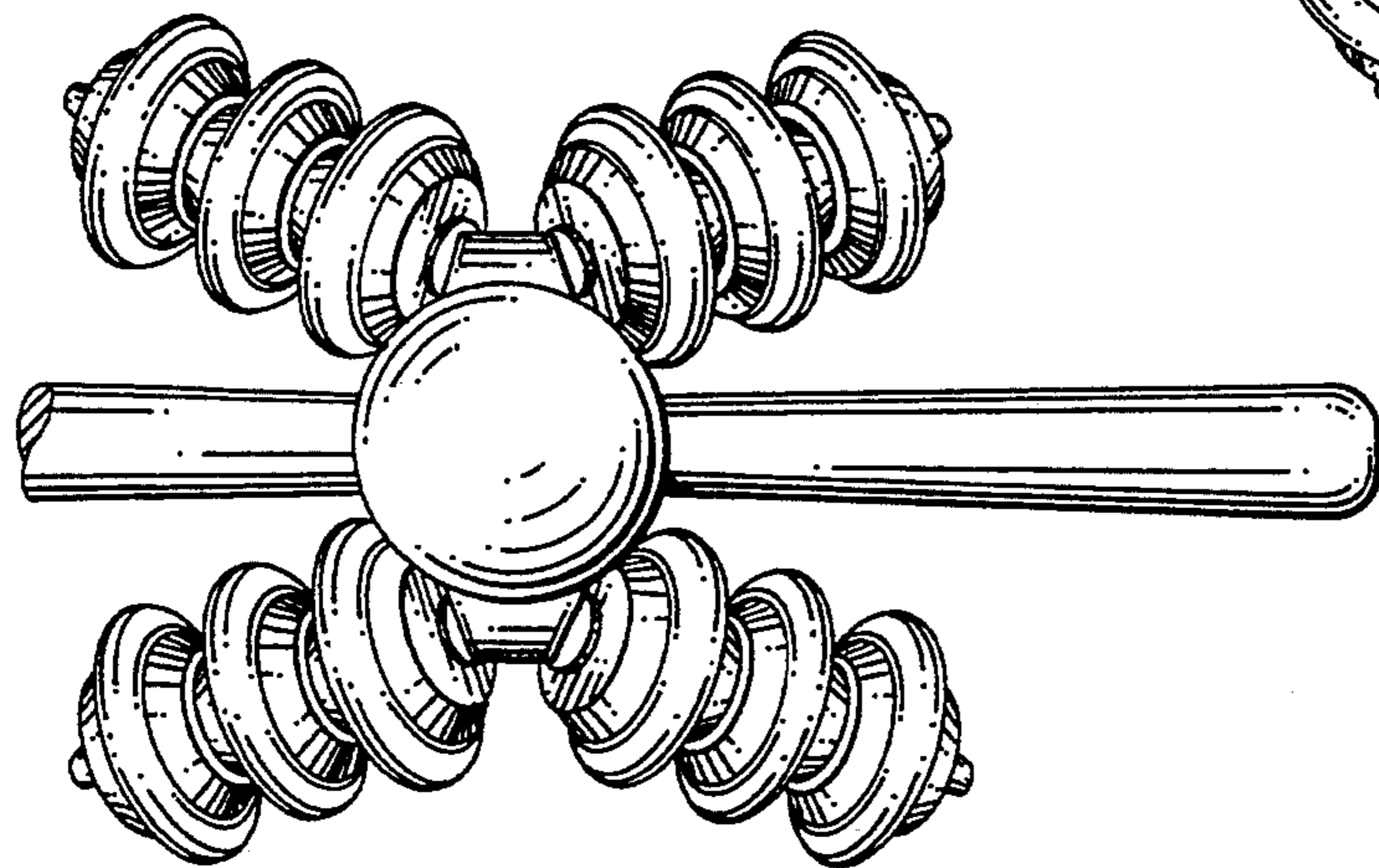


FIG. 4