



US00D353004S

# United States Patent [19] Boland

[11] Patent Number: **Des. 353,004**  
[45] Date of Patent: **\*\* Nov. 29, 1994**

[54] **SPINE TREATMENT CUSHION**  
[76] Inventor: **Kevin O. Boland, 5623 Massachusetts Ave., Bethesda, Md. 20816**  
[\*] Notice: The portion of the term of this patent subsequent to Jan. 4, 2008 has been disclaimed.  
[\*\*] Term: **14 Years**  
[21] Appl. No.: **943,597**  
[22] Filed: **Sep. 11, 1992**  
[52] U.S. Cl. .... **D24/183; D6/596**  
[58] Field of Search ..... **D6/601, 595, 596; 5/648, 651, 448, 652, 657, 939; 297/DIG. 1, 452.48, 183; 128/716; D24/171, 183, 188, 200**

4,627,423 12/1986 Kampner .  
4,635,306 1/1987 Willey .  
4,910,818 3/1990 Grabill et al. .  
4,989,584 2/1991 Simon ..... 5/648 X  
5,097,553 3/1992 Boland ..... 5/648  
5,113,875 5/1992 Bennett ..... 5/648 X  
5,173,979 12/1992 Nennhaus ..... 5/648

*Primary Examiner*—A. Hugo Word  
*Assistant Examiner*—Ian Simmons  
*Attorney, Agent, or Firm*—Collier, Shannon, Rill & Scott

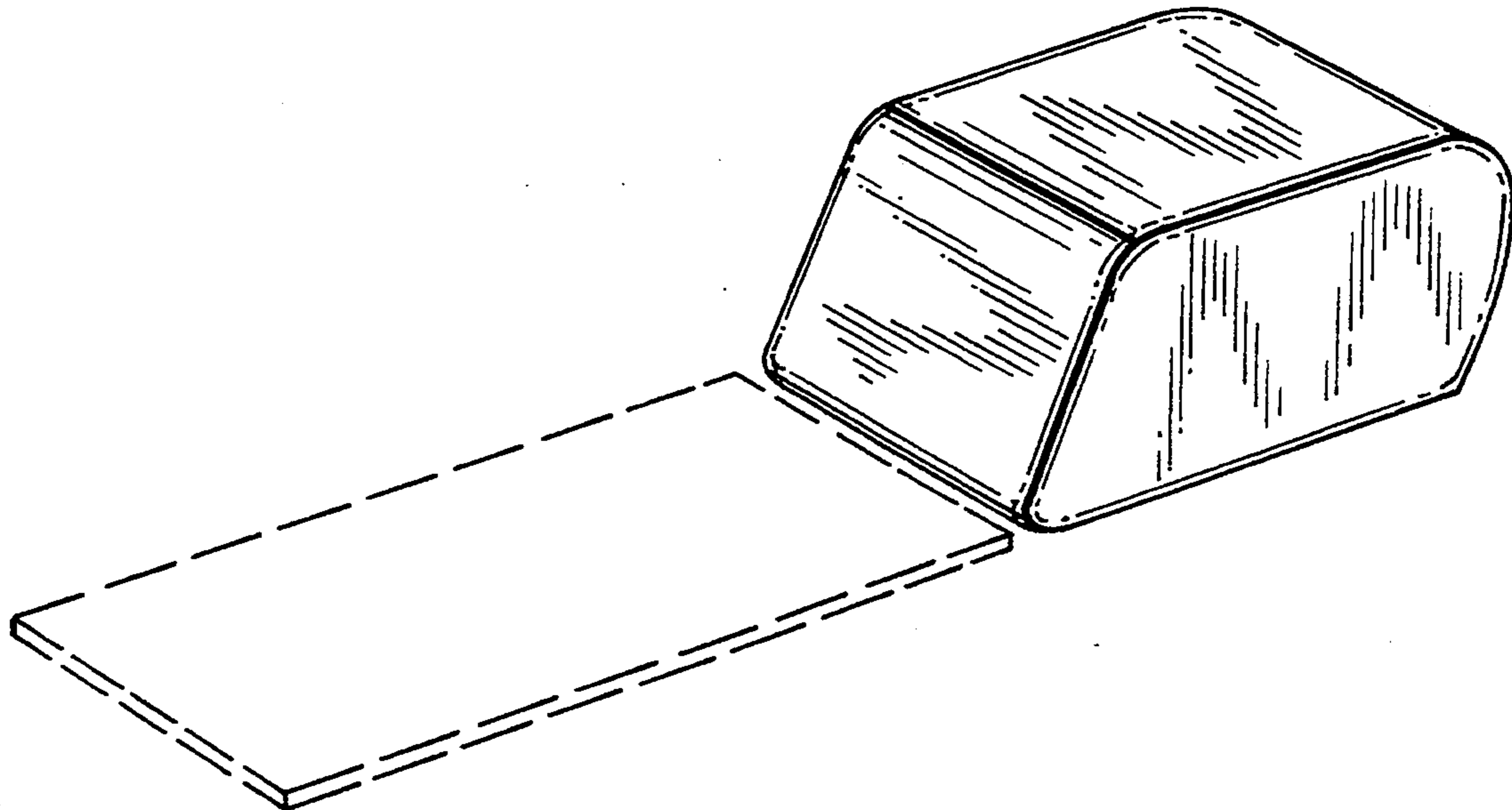
### [57] CLAIM

The ornamental design for a spine treatment cushion, as shown and described.

### DESCRIPTION

FIG. 1 is a front perspective view of a spine treatment cushion showing my new design, the broken line showing of the back pad is for illustrative purposes only and forms no part of the claimed design;  
FIG. 2 is a side view, the opposite side view being identical;  
FIG. 3 is a front elevation view thereof;  
FIG. 4 is a rear elevation view thereof;  
FIG. 5 is top plan view thereof; and,  
FIG. 6 is a bottom plan view thereof.

[56] **References Cited**  
**U.S. PATENT DOCUMENTS**  
D. 242,388 11/1976 Castleberry ..... D6/596 X  
D. 277,316 1/1985 Meares .  
D. 289,354 4/1987 Willey .  
D. 311,470 10/1990 Cosgrove, III et al. .  
830,776 11/1986 Flagg .  
4,502,170 3/1985 Morrow .



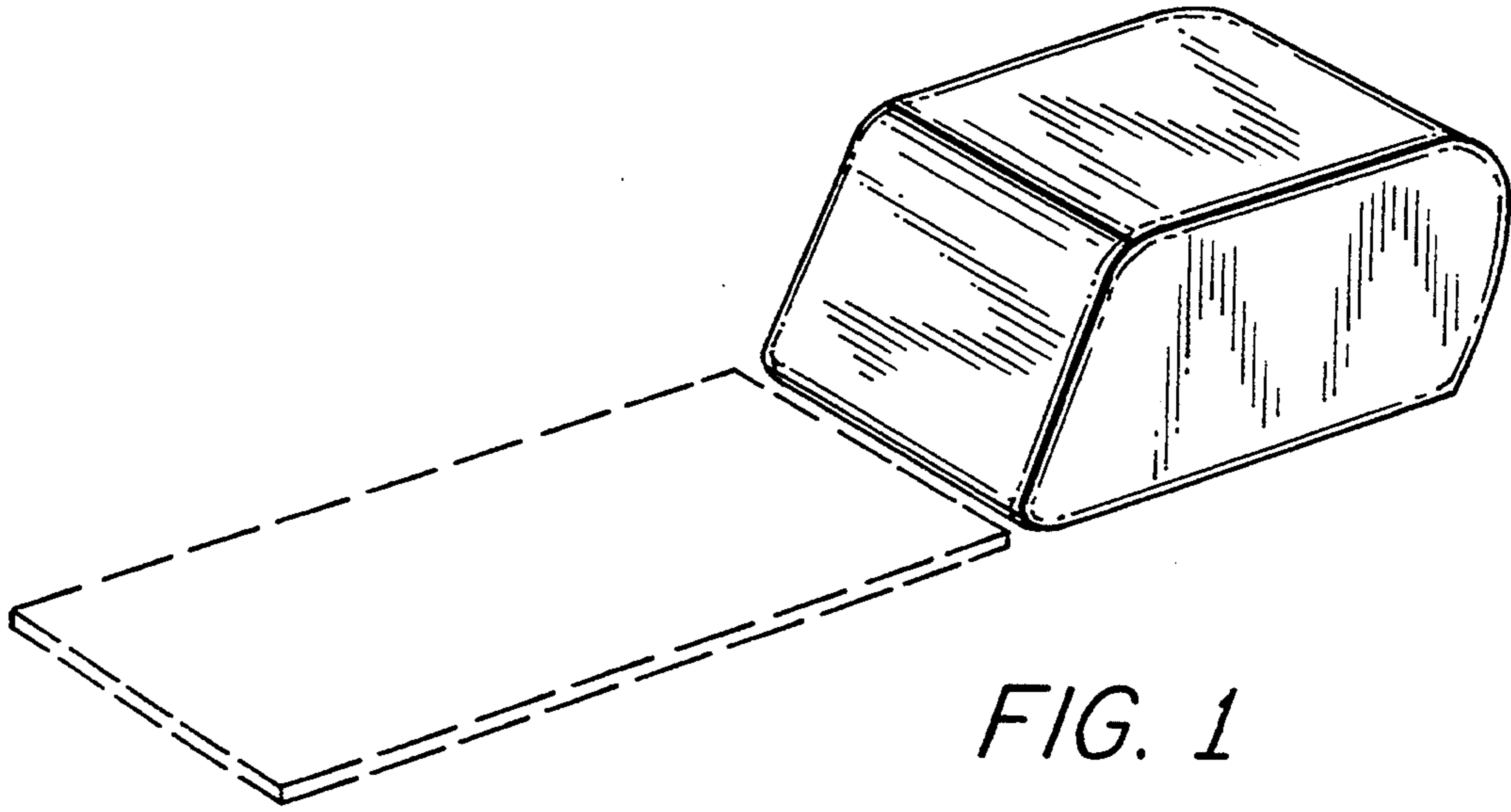


FIG. 1

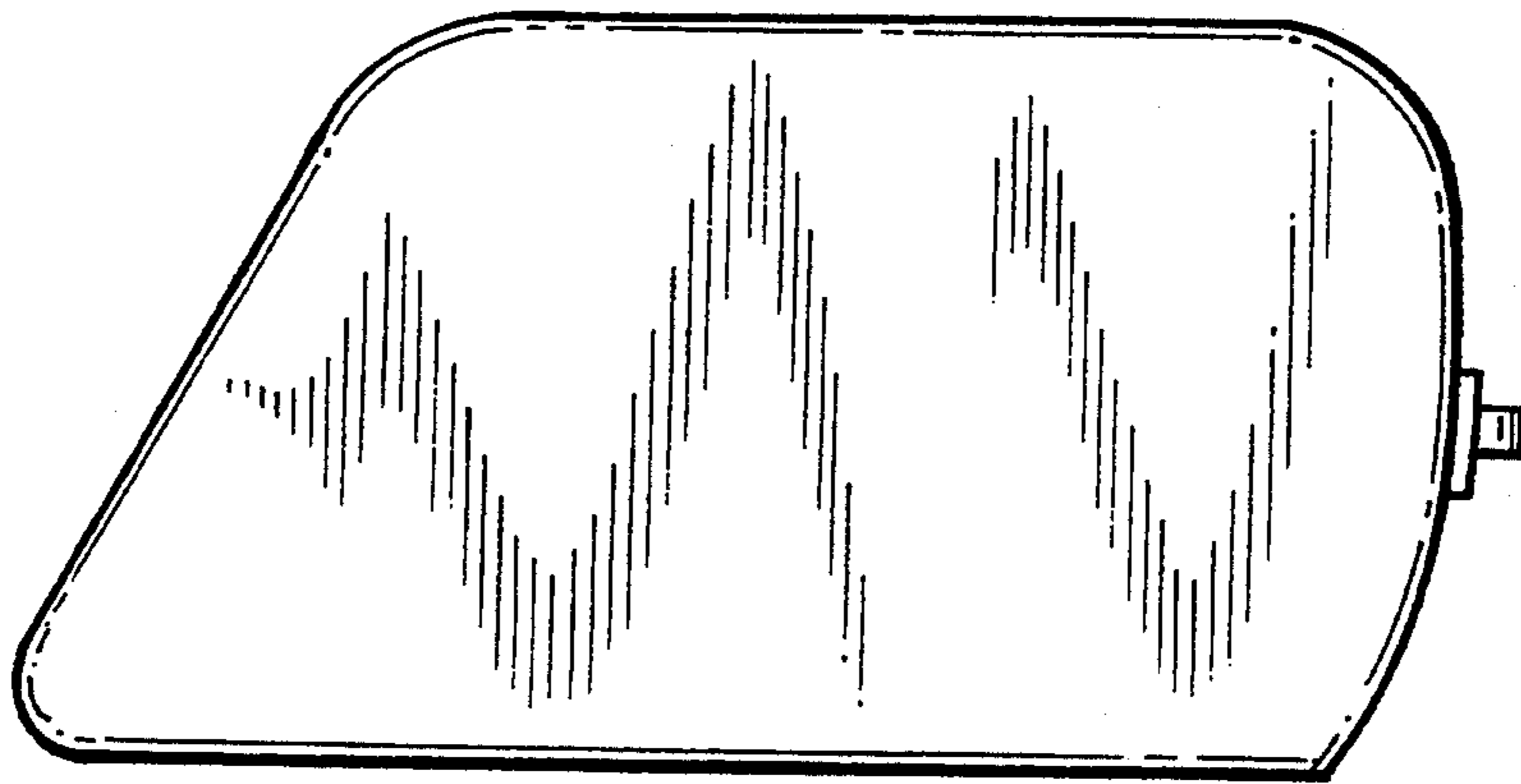


FIG. 2

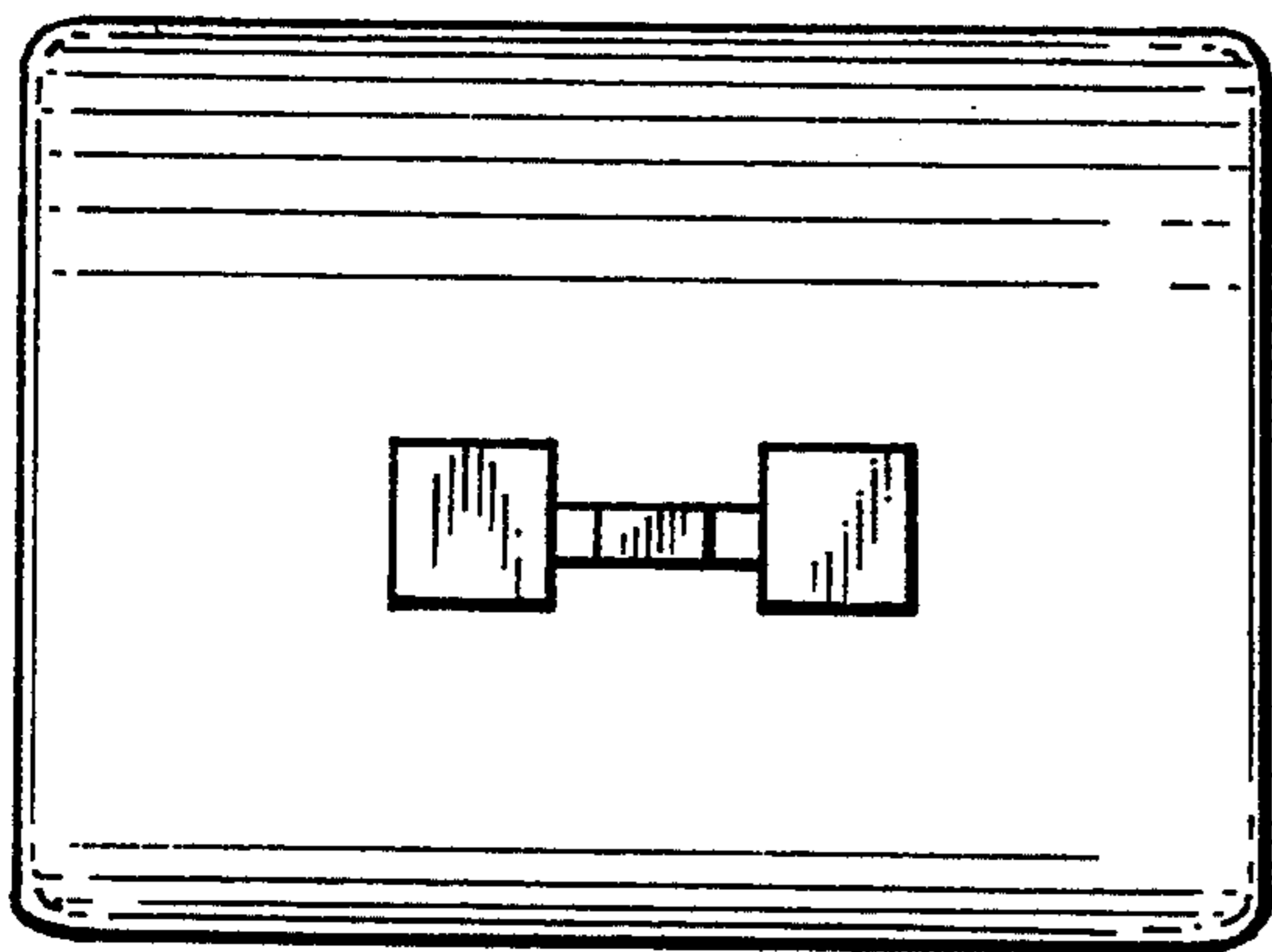


FIG. 3

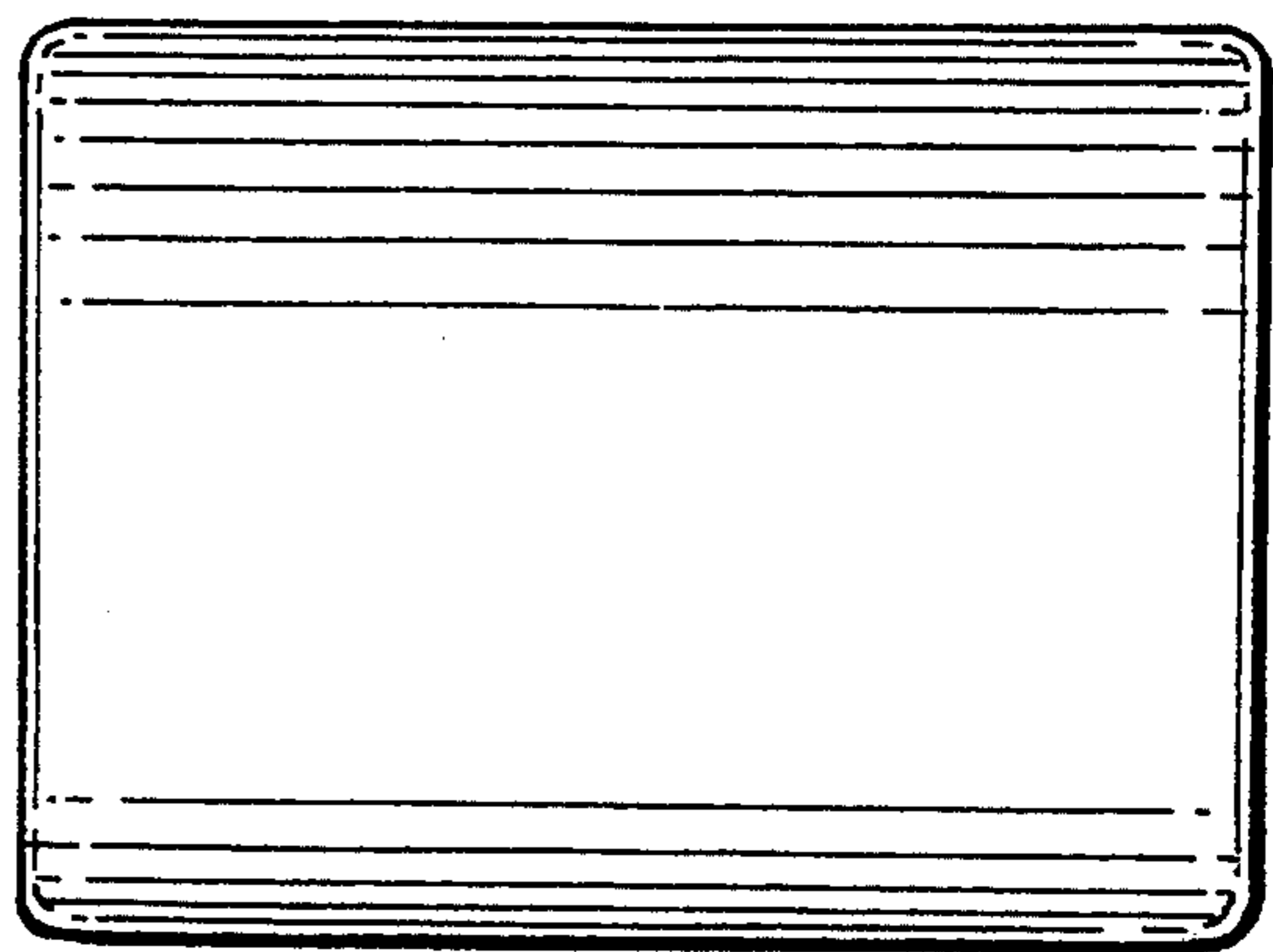


FIG. 4

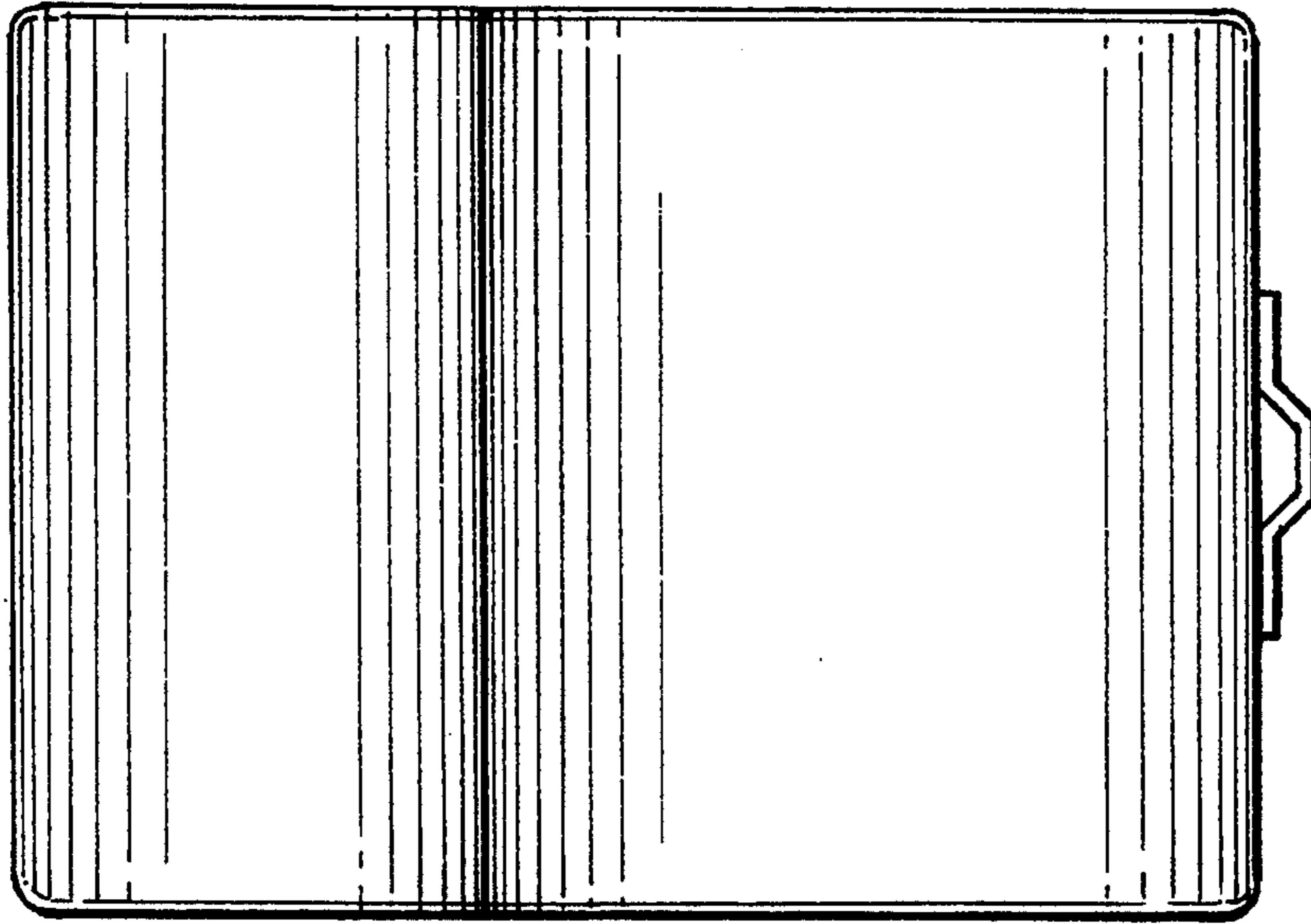


FIG. 5

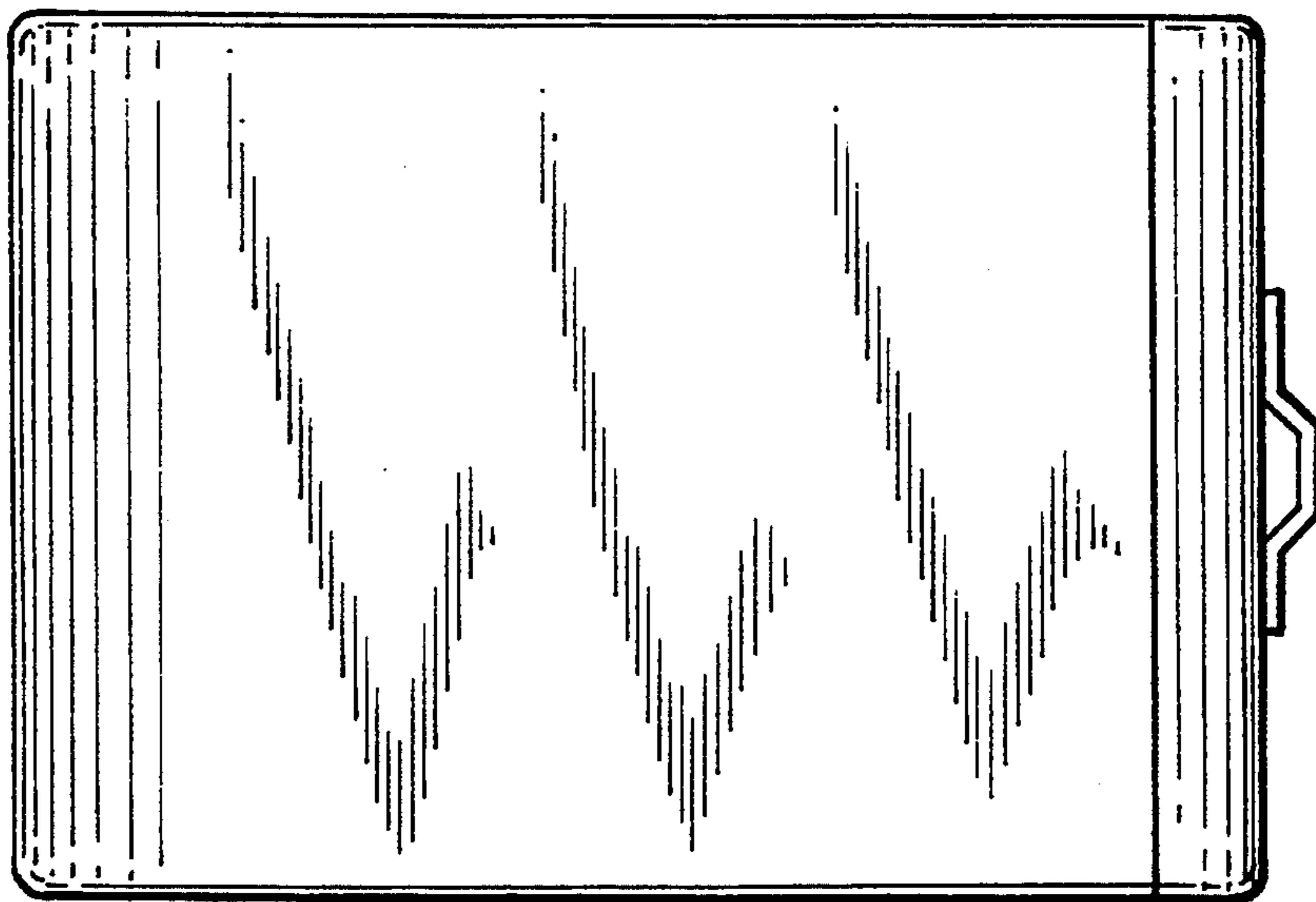


FIG. 6