



US00D353002S

United States Patent [19]

[11] Patent Number: **Des. 353,002**

Tovey

[45] Date of Patent: **** Nov. 29, 1994**

[54] **ENDOSCOPIC SUTURE KNOT PUSHER**
 [75] Inventor: **H. Jonathan Tovey, Milford, Conn.**
 [73] Assignee: **United States Surgical Corporation, Norwalk, Conn.**

5,144,961 9/1992 Chen et al. 606/139 X
 5,176,691 1/1993 Pierce .
 5,234,445 8/1993 Walker 606/148
 5,269,791 12/1993 Mayzels et al. 606/148

[**] Term: **14 Years**

FOREIGN PATENT DOCUMENTS

[21] Appl. No.: **2,521**

163715 7/1964 U.S.S.R. .
 305885 6/1971 U.S.S.R. .

[22] Filed: **Dec. 11, 1992**

Primary Examiner—A. Hugo Word
Assistant Examiner—I. Simmons

[52] U.S. Cl. **D24/145; D24/133; D24/147**

[57] CLAIM

[58] Field of Search **D3/28; 606/148, 139, 606/144, 143; 289/17; D24/145, 138, 133, 147**

The ornamental design for an endoscopic suture knot pusher, as shown and described.

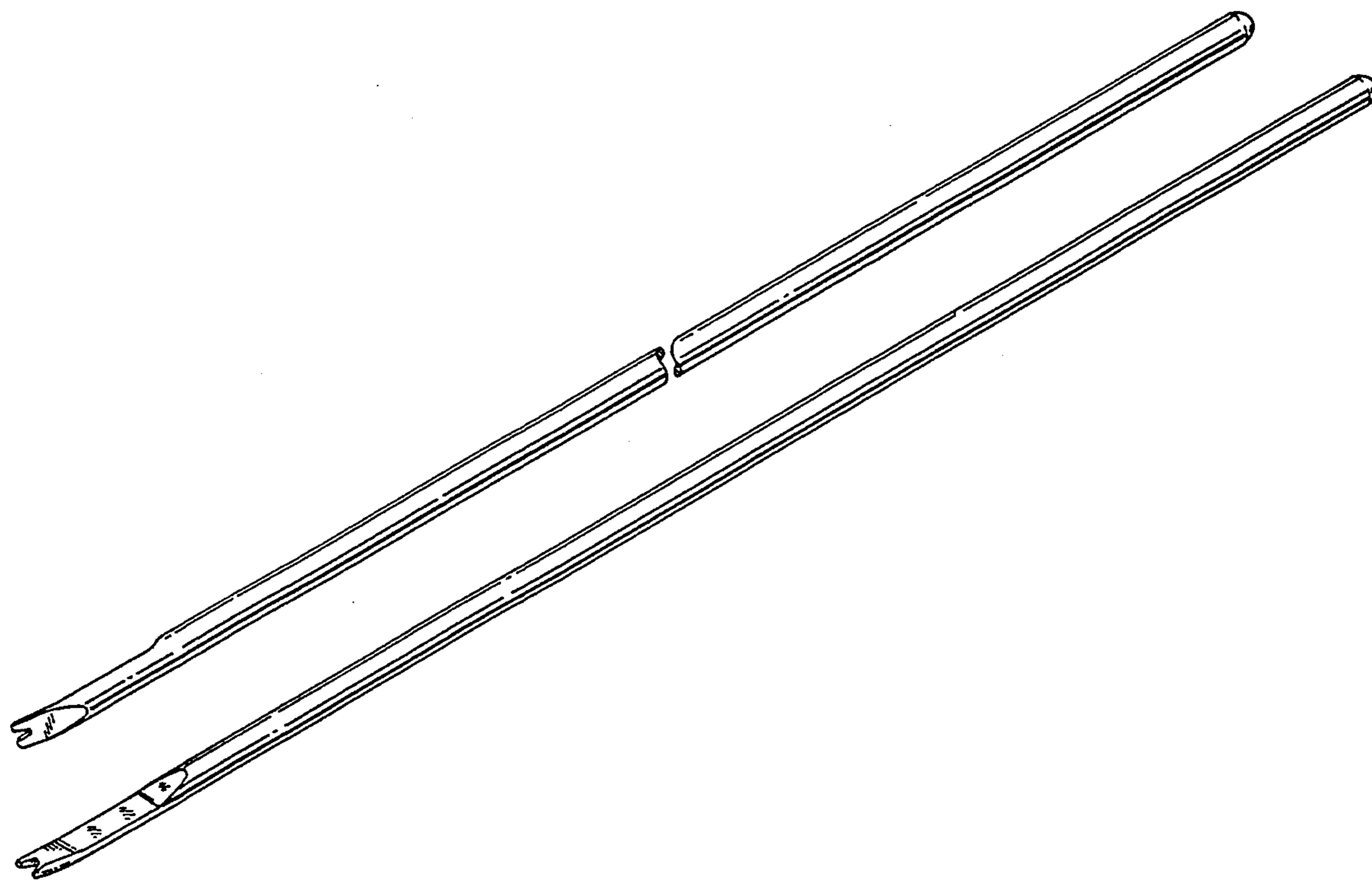
[56] References Cited

DESCRIPTION

U.S. PATENT DOCUMENTS

D. 30,994 6/1899 Shaw D3/28
 D. 206,855 2/1967 Ferla D3/28
 D. 309,499 7/1990 Bowman et al. D24/133
 650,822 6/1900 Cain .
 1,816,952 8/1931 Bergman .
 2,268,755 1/1942 Li .
 2,595,086 4/1952 Larzelere .
 2,610,631 9/1952 Calicchio .
 2,895,478 7/1959 Post .
 3,633,582 10/1969 Steinman .
 3,840,017 10/1974 Violante .
 4,602,635 7/1986 Mulhollan et al. .
 4,641,652 2/1987 Hutterer et al. .
 4,683,885 8/1987 Hutterer et al. .

FIG. 1 illustrates a perspective view of the endoscopic suture knot pusher in accordance with the present invention;
 FIG. 2 illustrates an enlarged front end elevational view thereof;
 FIG. 3 illustrates an enlarged rear end elevational view thereof;
 FIG. 4 illustrates a top plan view thereof, shown broken in the center for convenience of illustration;
 FIG. 5 illustrates a left side elevational view thereof;
 FIG. 6 illustrates a right side elevational view thereof;
 FIG. 7 illustrates a bottom plan view thereof; and,
 FIG. 8 illustrates a perspective view thereof rotated 90 degrees, the shaft is shown broken in the center for convenience of illustration.



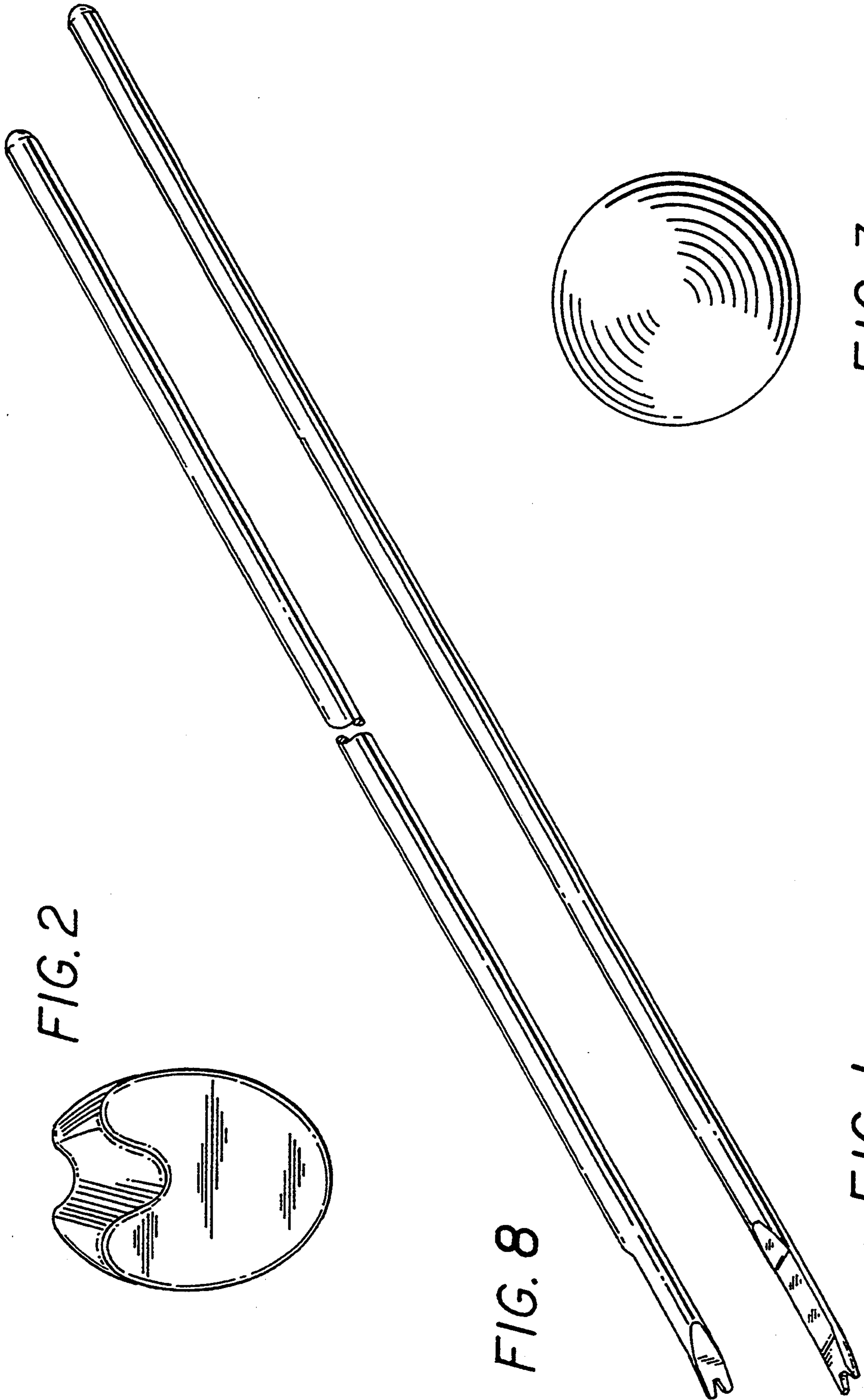


FIG. 2

FIG. 3

FIG. 1

FIG. 8



FIG. 4



FIG. 5



FIG. 6



FIG. 7