



US00D352997S

United States Patent [19]
DiPasquale

[11] **Patent Number: Des. 352,997**
[45] **Date of Patent: ** Nov. 29, 1994**

[54] **COMBINED MOUNTING CANOPY, MOTOR AND SWITCH HOUSING AND BLADE IRONS UNIT FOR A CEILING FAN**

[56]

References Cited

U.S. PATENT DOCUMENTS

D. 119,797 4/1940 Winkler et al. D26/88
D. 314,046 1/1991 Yen D26/59

[75] **Inventor: Charles J. DiPasquale, Carrollton, Tex.**

Primary Examiner—Wallace R. Burke
Assistant Examiner—Lisa Lichtenstein
Attorney, Agent, or Firm—Dennis T. Griggs

[73] **Assignee: Smartel, Inc., Carrollton, Tex.**

[57]

CLAIM

The ornamental design for a combined mounting canopy, motor and switch housing and blade irons unit for a ceiling fan, as shown and described.

[**] **Term: 14 Years**

DESCRIPTION

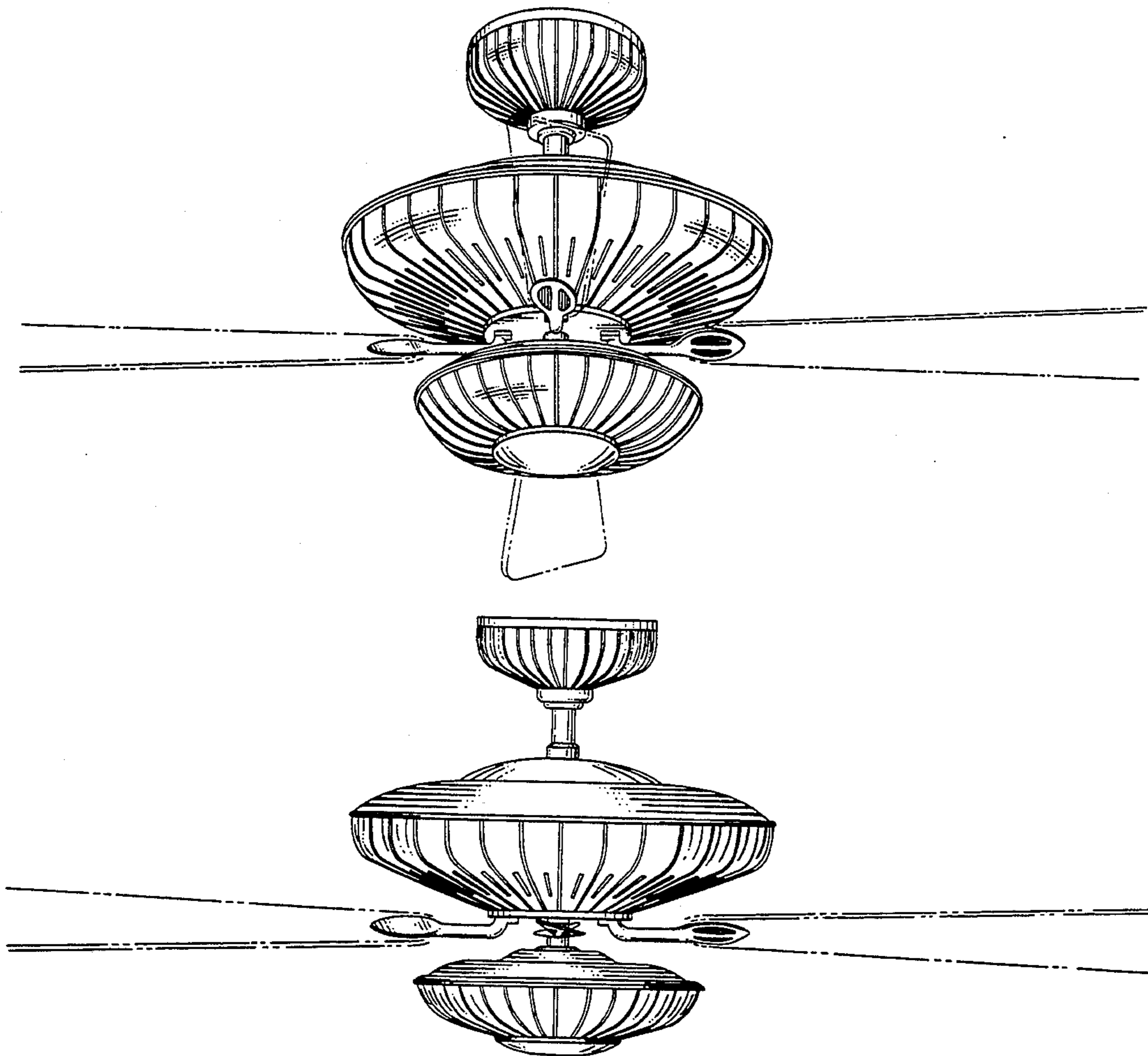
[21] **Appl. No.: 5,751**

FIG. 1 is a perspective view of a combined mounting canopy, motor and switch housing and blade irons unit for a ceiling fan showing my new design, the broken lines showing fan blades being for illustrative purposes only and forming no part of the claimed design; FIG. 2 is a side elevational view thereof, the opposite and adjacent sides being mirror images of that shown; FIG. 3 is a top plan view thereof; and, FIG. 4 is a bottom plan view thereof.

[22] **Filed: Mar. 11, 1993**

[52] **U.S. Cl. D23/411; D23/377; D23/379; D23/385**

[58] **Field of Search 416/5; 362/96, 363; 392/364; D23/377, 379, 385, 411; D26/81-86, 88, 59, 51, 72**



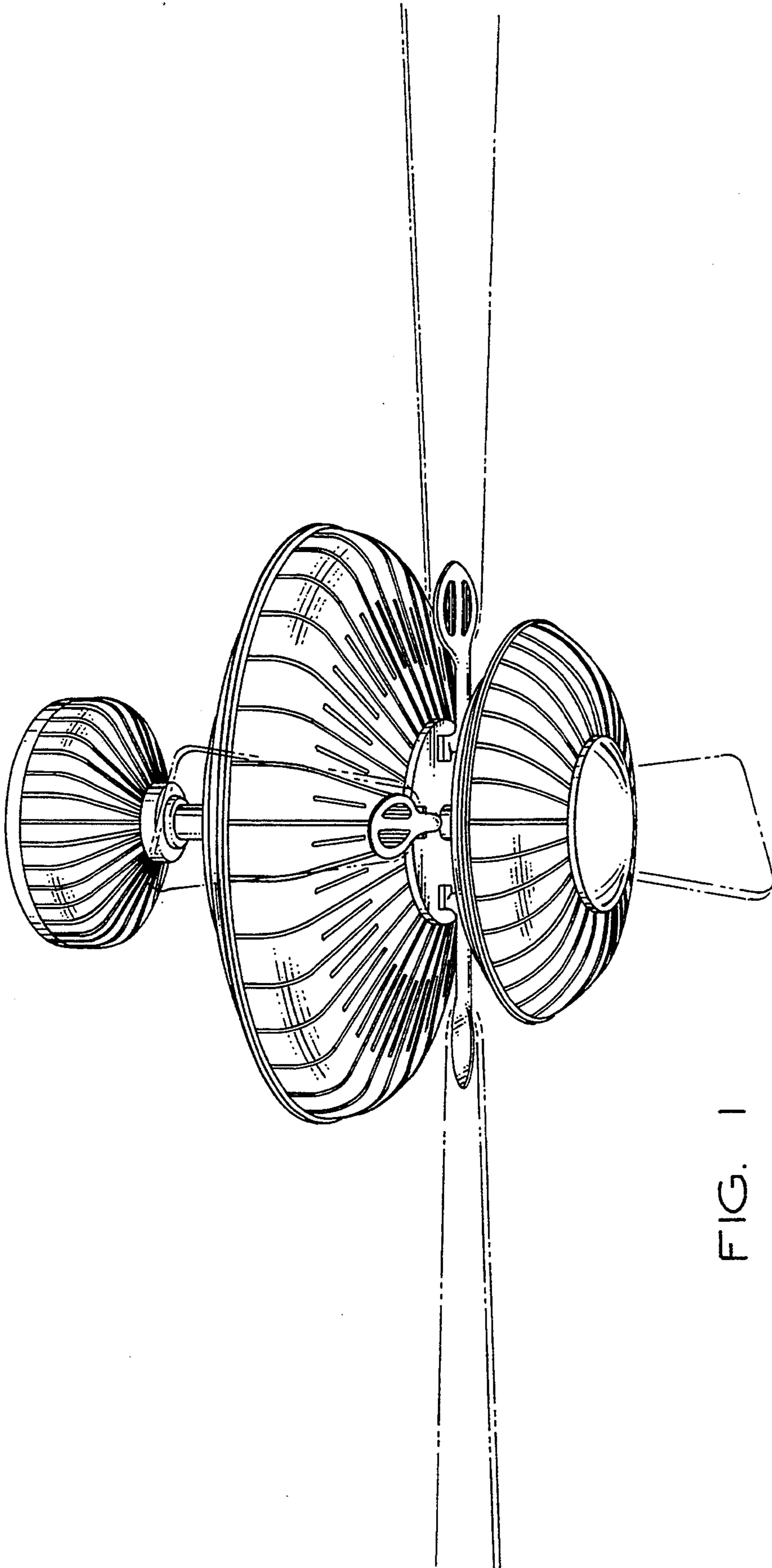


FIG. 1

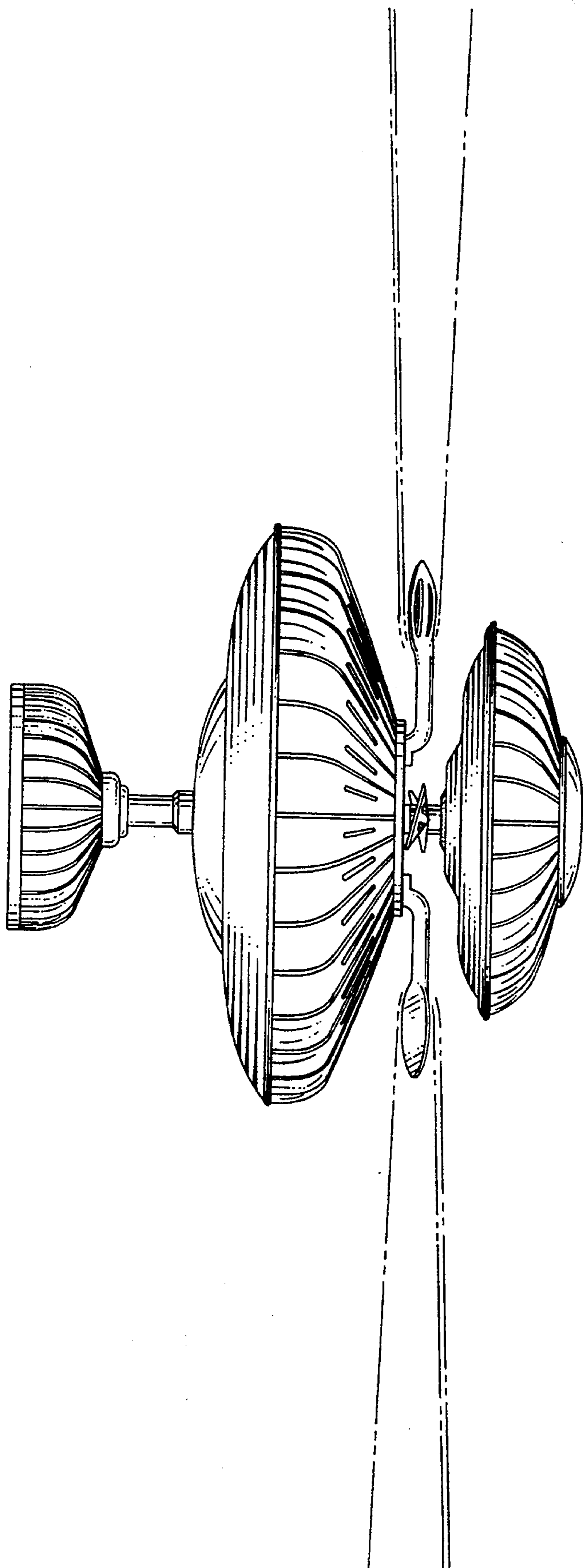


FIG. 2

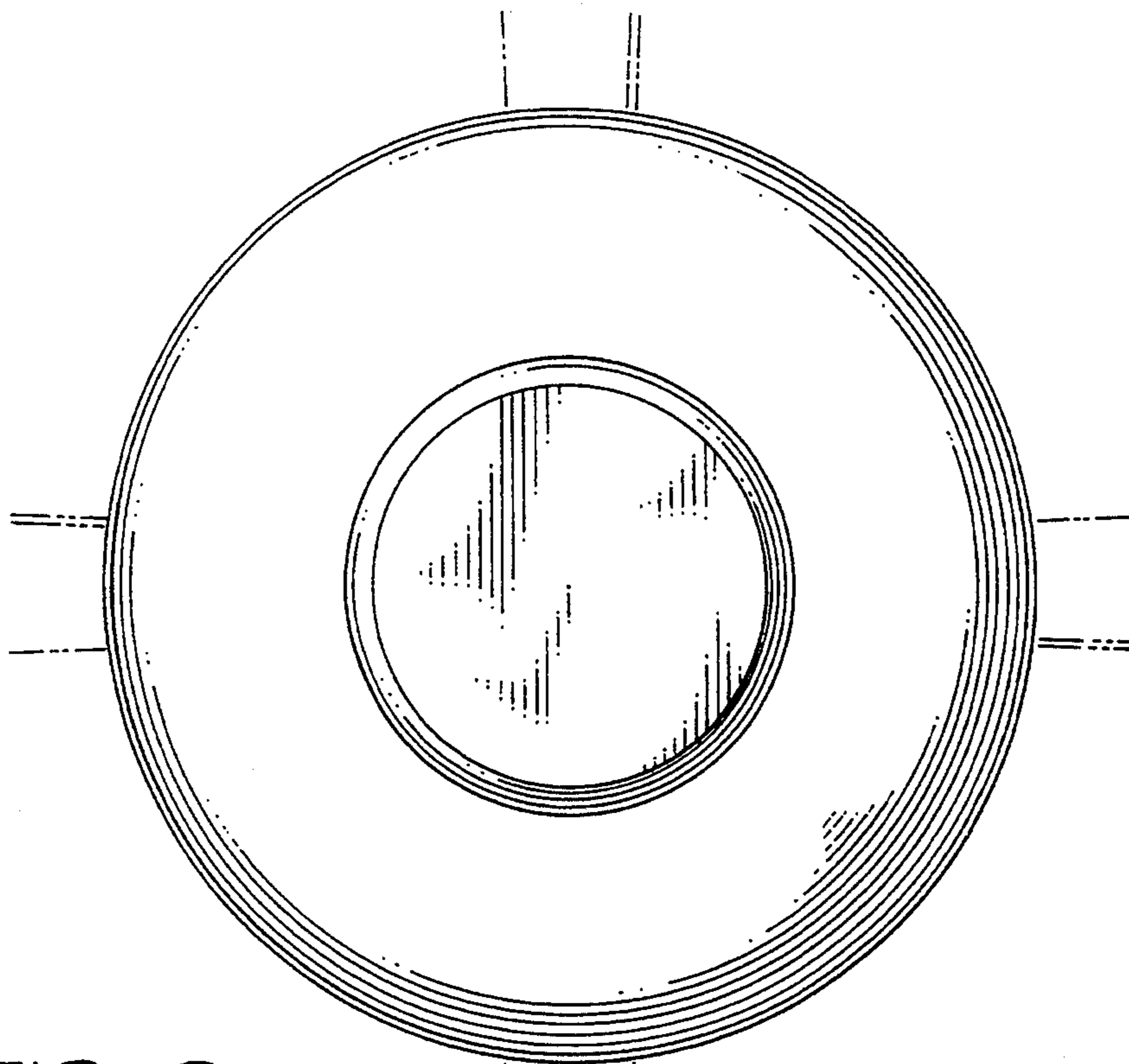


FIG. 3

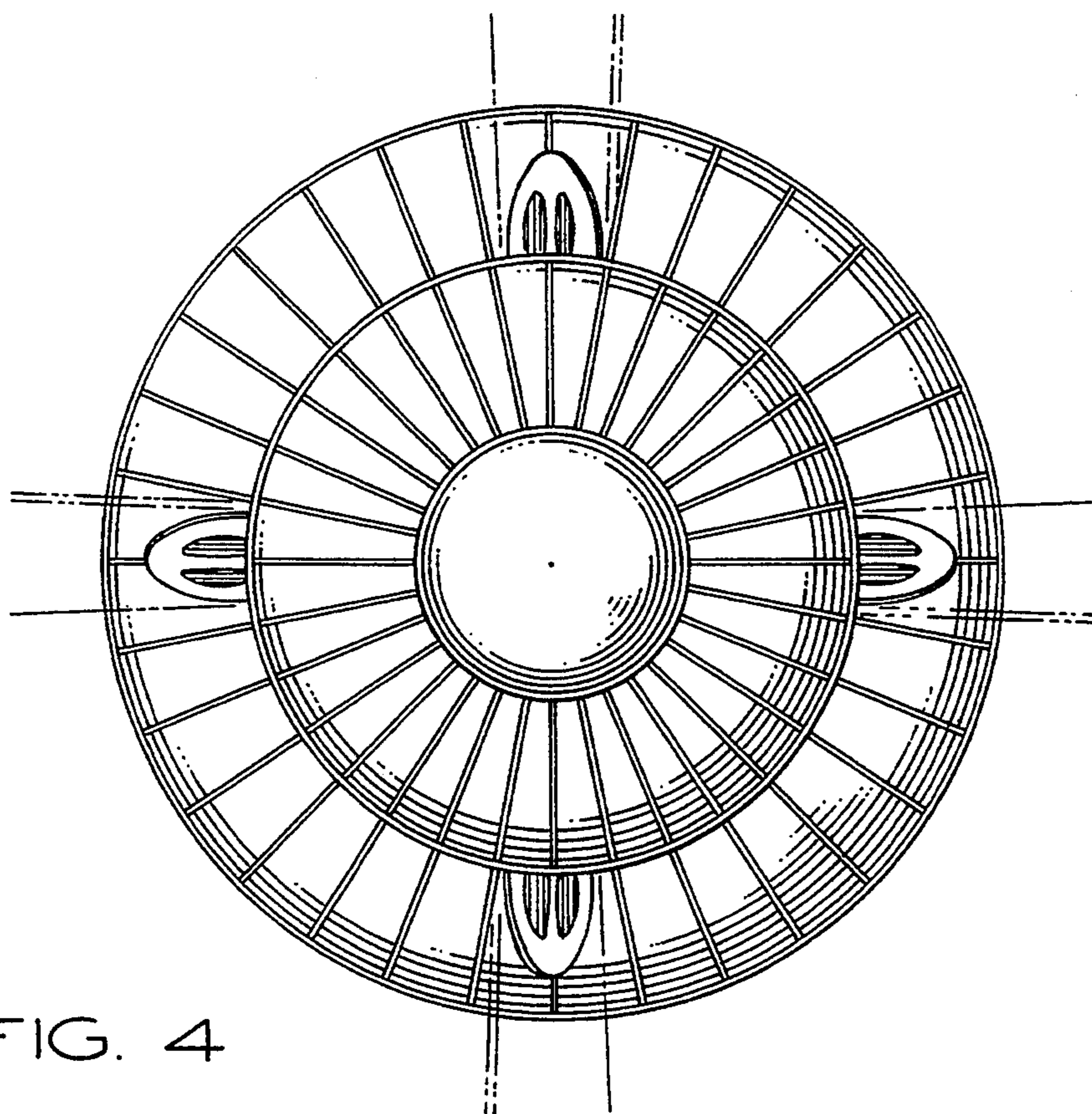


FIG. 4